



US00D46555S

(12) **United States Design Patent**
Chang

(10) **Patent No.:** **US D465,555 S**

(45) **Date of Patent:** **** Nov. 12, 2002**

(54) **FAUCET**

D445,484 S * 7/2001 Wen D23/243
D459,790 S * 7/2002 Dretzka et al. D23/243

(75) **Inventor:** **Cheng-Lang Chang**, Taichung (TW)

* cited by examiner

(73) **Assignee:** **Jing Yudh Industrial Co., Ltd.** (TW)

Primary Examiner—Louis S. Zarfes

(**) **Term:** **14 Years**

Assistant Examiner—Gregory Andoll

(74) *Attorney, Agent, or Firm*—Troxell Law Office PLLC

(21) **Appl. No.:** **29/146,487**

(57) **CLAIM**

(22) **Filed:** **Aug. 13, 2001**

The ornamental design for the faucet, as shown and described.

(51) **LOC (7) Cl.** **23-01**

(52) **U.S. Cl.** **D23/238**

(58) **Field of Search** D23/238–243,
D23/250–257; 4/675–678; 137/801

DESCRIPTION

FIG. 1 is a perspective view of a faucet showing my new design;

FIG. 2 is a front view thereof;

FIG. 3 is a rear view thereof;

FIG. 4 is a right and left side view thereof;

FIG. 5 is a top view thereof; and,

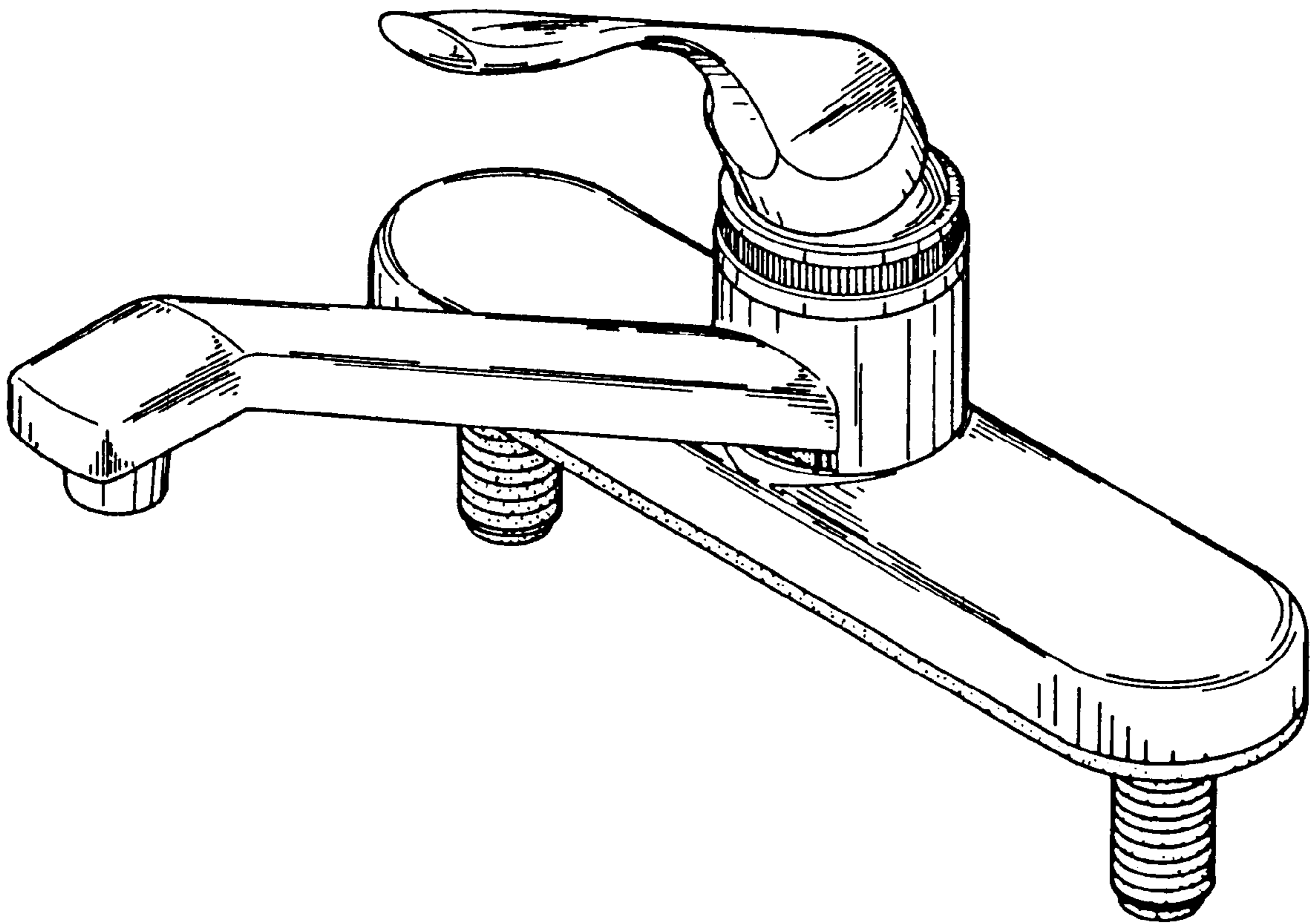
FIG. 6 is a bottom view thereof.

(56) **References Cited**

U.S. PATENT DOCUMENTS

D375,145 S * 10/1996 Doughty et al. D23/243
D406,637 S * 3/1999 Fabian et al. D23/243
D414,547 S * 9/1999 Pitsch D23/243
D428,115 S * 7/2000 Pitsch D23/241

1 Claim, 3 Drawing Sheets



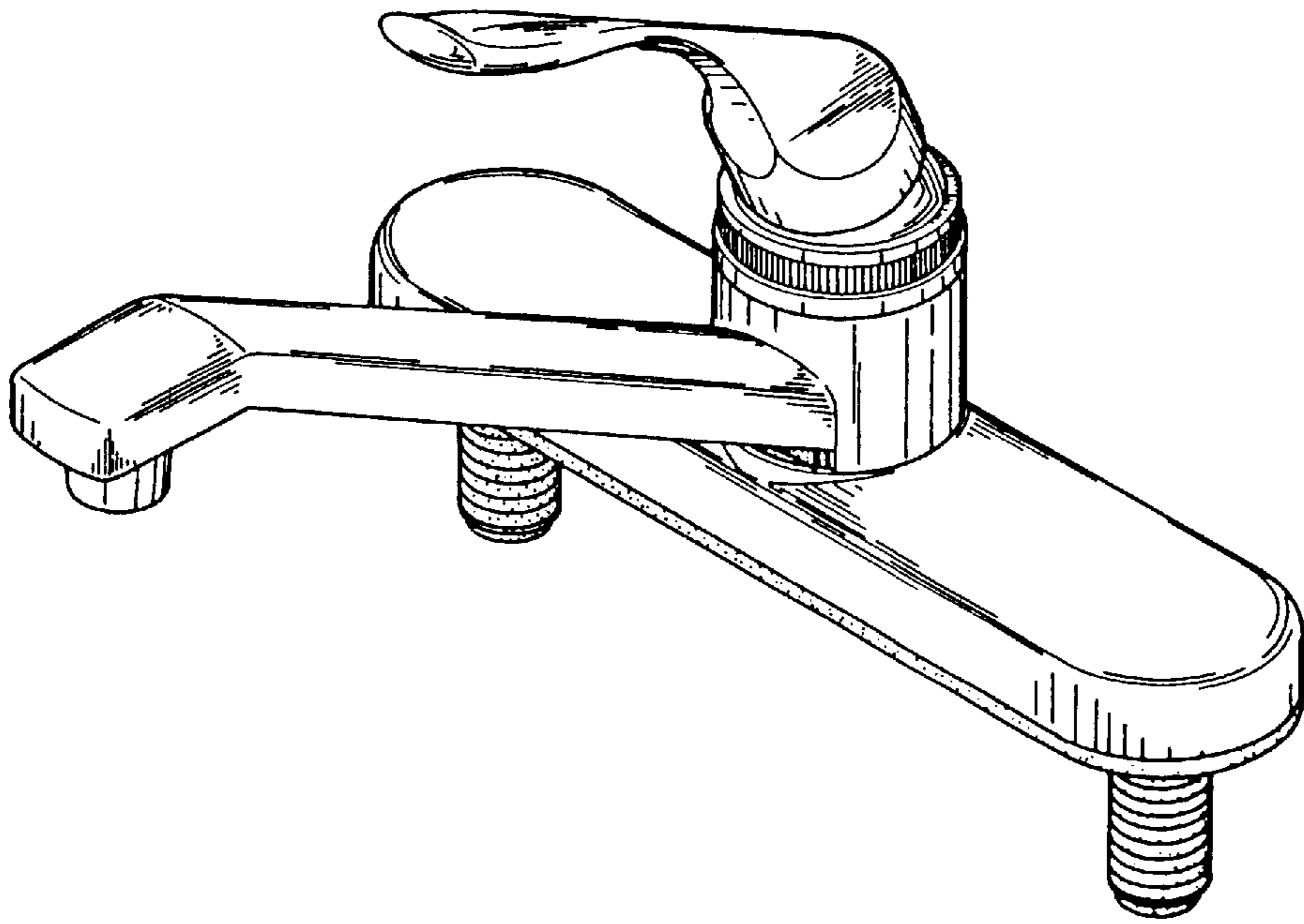


FIG. 1

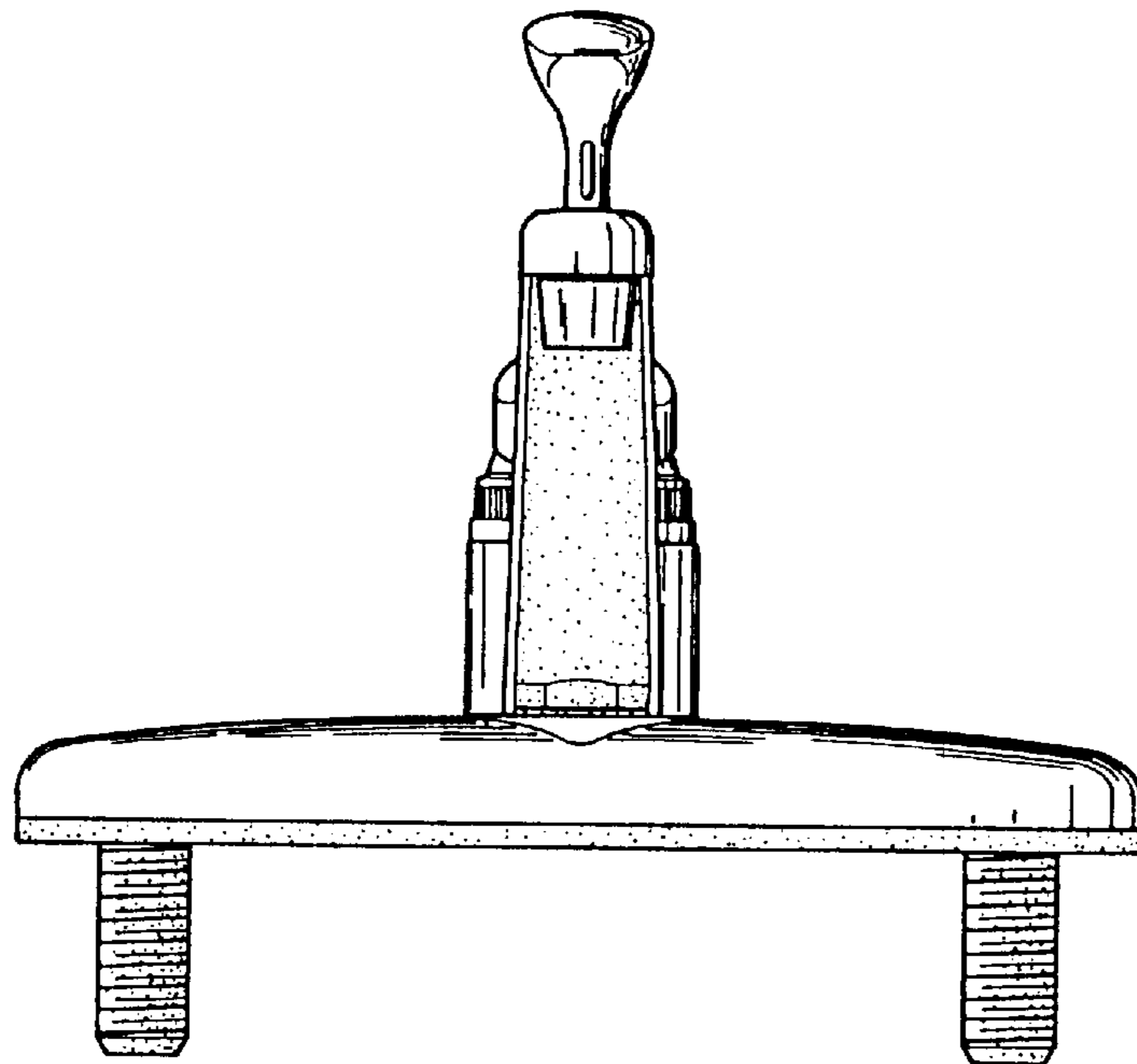


FIG. 2

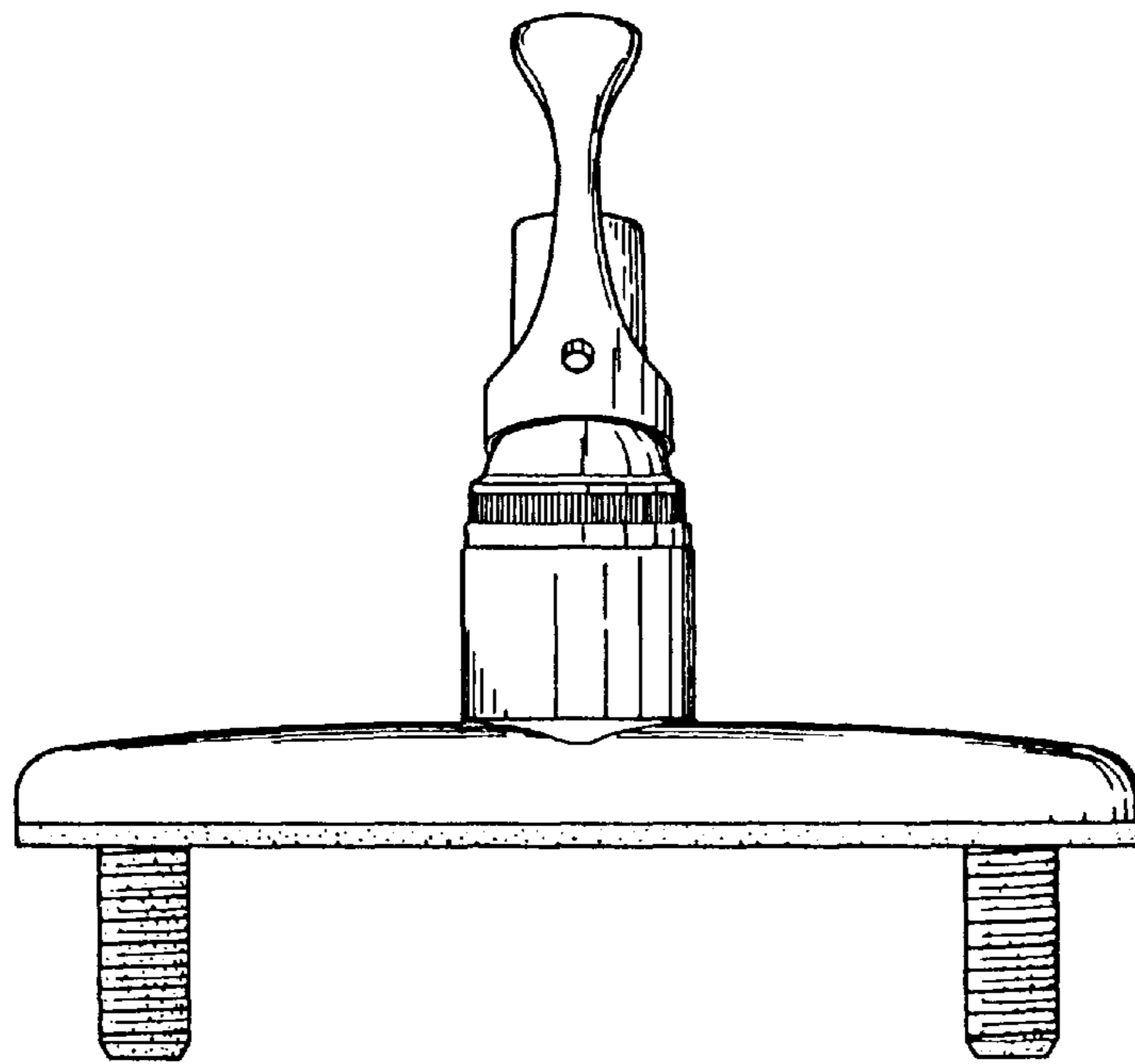


FIG. 3

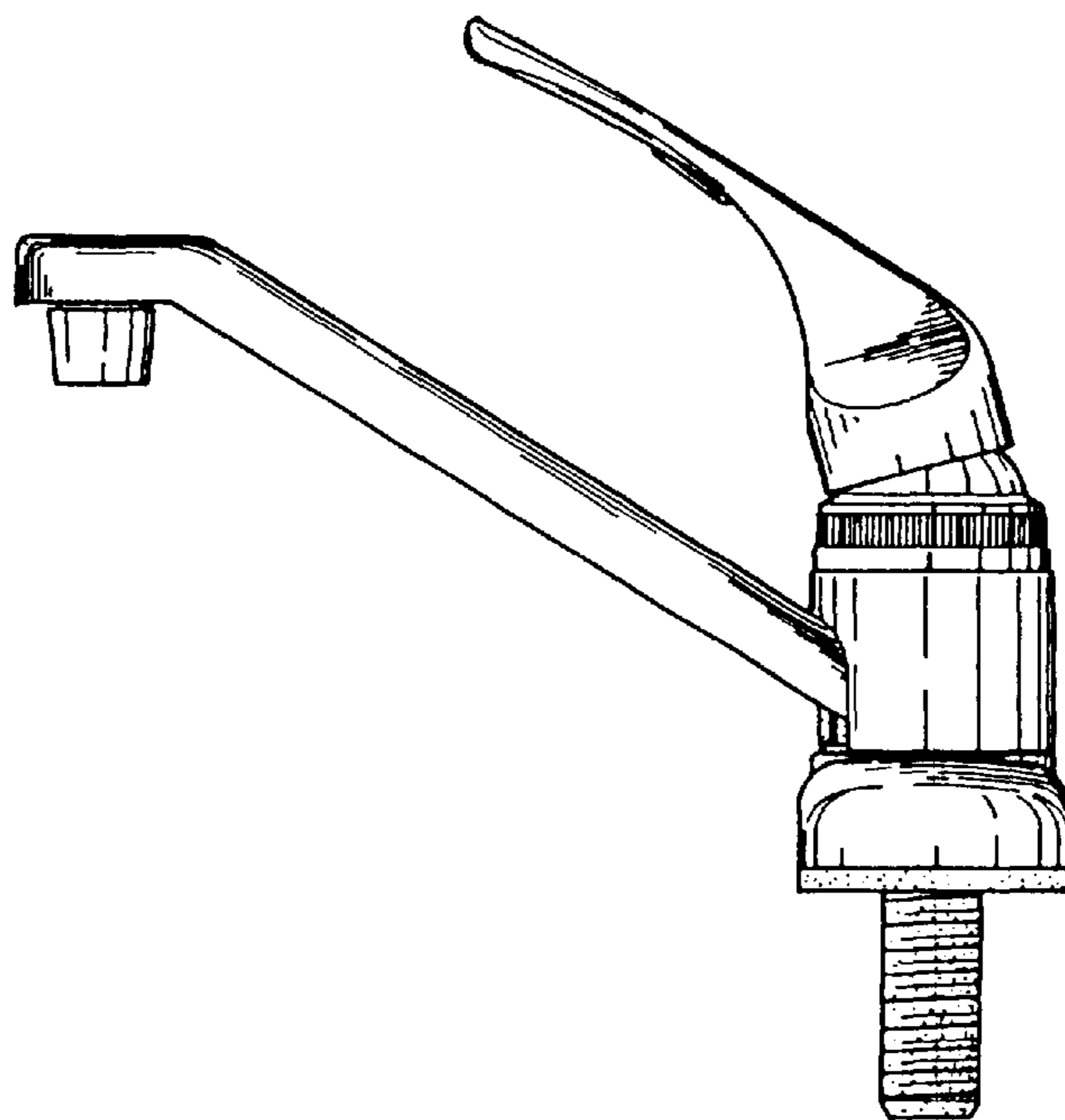


FIG. 4

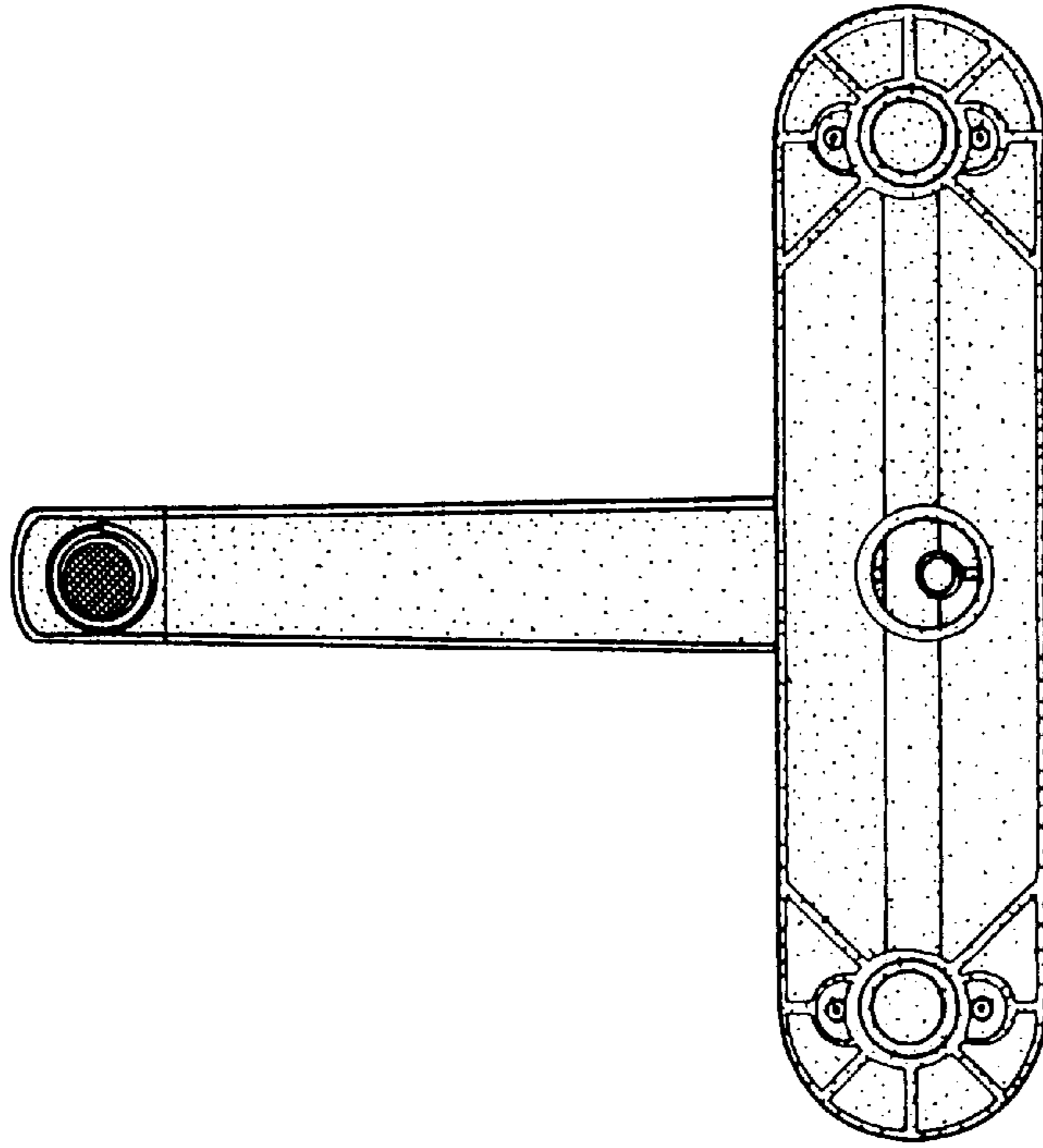


FIG. 6

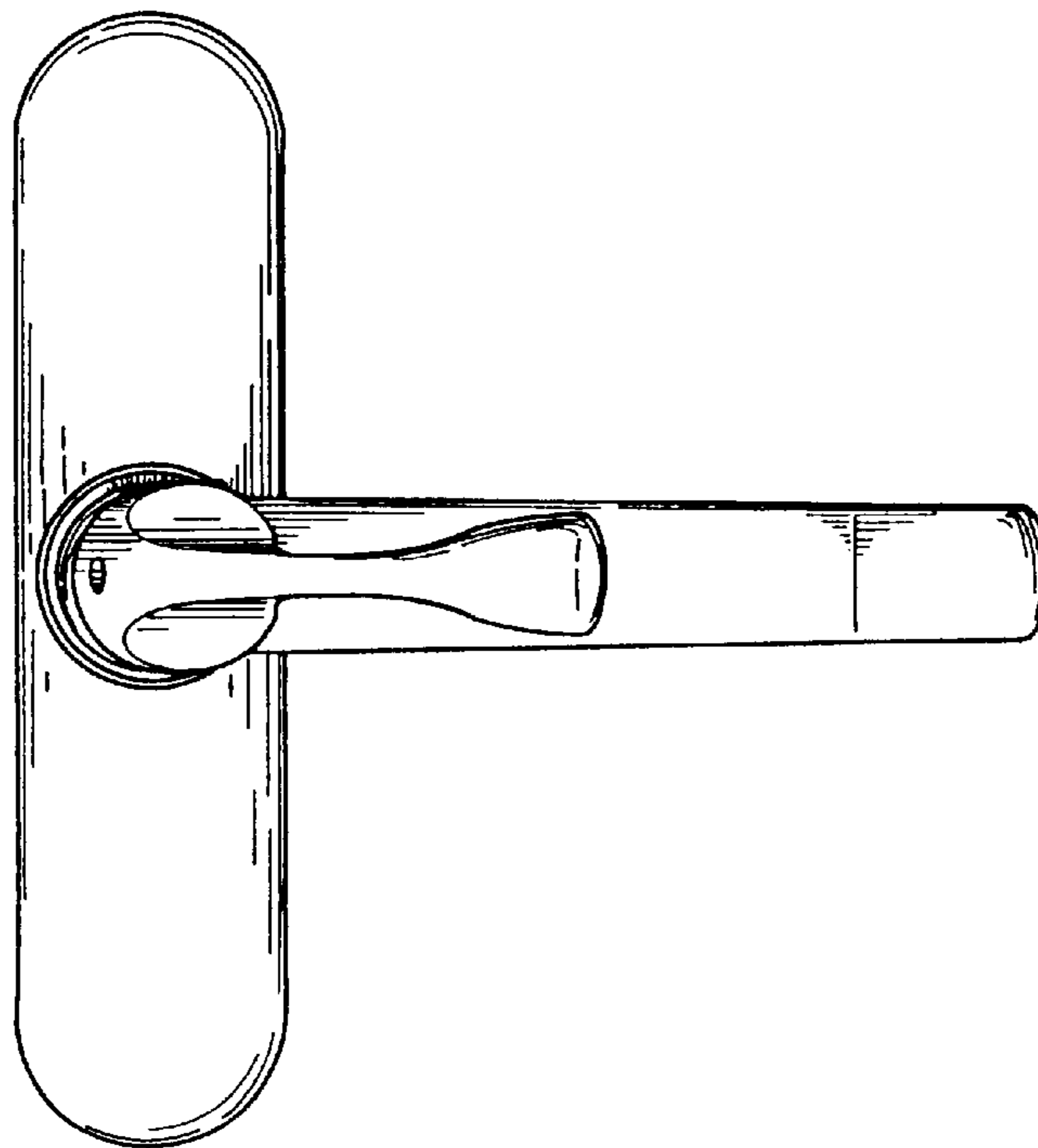


FIG. 5