



US00D46554S

(12) **United States Design Patent**
Spangler et al.

(10) **Patent No.: US D465,554 S**

(45) **Date of Patent: ** Nov. 12, 2002**

(54) **ELECTRONIC FAUCET**

(75) Inventors: **Anthony G. Spangler**, Greensburg, IN (US); **Jeffrey L. Moore**, Frankfort, IN (US)

(73) Assignee: **Masco Corporation of Indiana**, Indianapolis, IN (US)

(**) Term: **14 Years**

(21) Appl. No.: **29/140,764**

(22) Filed: **Apr. 24, 2001**

(51) **LOC (7) Cl. 23-01**

(52) **U.S. Cl. D23/238**

(58) **Field of Search D23/238-257;**
4/675-678; 137/801

(56) **References Cited**

U.S. PATENT DOCUMENTS

D388,156 S	*	12/1997	Hill et al.	D23/238
D388,862 S	*	1/1998	Hill et al.	D23/238
D392,370 S	*	3/1998	Ko	D23/238
D398,373 S	*	9/1998	Ou-Young	D23/238
D400,646 S		11/1998	Hill et al.	
D405,806 S	*	2/1999	Lord	D23/249
D414,247 S	*	9/1999	Kolada et al.	D23/252
D415,561 S	*	10/1999	Lindholm	D23/238
D421,485 S	*	3/2000	Hseih	D23/238
D428,967 S	*	8/2000	Spangler	D23/238
D428,968 S	*	8/2000	Spangler	D23/238
D430,923 S	*	9/2000	Fleischmann	D23/250
D432,215 S		10/2000	Spangler	
D432,217 S		10/2000	Spangler	
D432,635 S		10/2000	Spangler	
D434,114 S	*	11/2000	Green et al.	D23/252

OTHER PUBLICATIONS

U.S. patent application Ser. No. 29/140,779, filed Apr. 24, 2001.

U.S. patent application Ser. No. 29/140,789, filed Apr. 24, 2001.

U.S. patent application Ser. No. 29/140,787, filed Apr. 24, 2001.

U.S. patent application Ser. No. 29/140,749, filed Apr. 24, 2001.

U.S. patent application Ser. No. 29/140,790, filed Apr. 24, 2001.

U.S. patent application Ser. No. 29/140,791, filed Apr. 24, 2001.

U.S. patent application Ser. No. 29/140,792, filed Apr. 24, 2001.

U.S. patent application Ser. No. 29/140,788, filed Apr. 24, 2001.

U.S. patent application Ser. No. 29/140,793, filed Apr. 24, 2001.

U.S. patent application Ser. No. 29/140,763, filed Apr. 24, 2001.

* cited by examiner

Primary Examiner—Louis S. Zarfes

Assistant Examiner—Gregory Andoll

(74) *Attorney, Agent, or Firm*—Myron B. Kapustij; Lloyd D. Doigan

(57) **CLAIM**

The ornamental design for an electronic faucet, as shown and described.

DESCRIPTION

FIG. 1 is a front perspective view of the electronic faucet showing our new design;

FIG. 2 is a left side elevational view thereof;

FIG. 3 is a rear perspective view thereof;

FIG. 4 is a rear elevational view thereof;

FIG. 5 is a right side elevational view thereof;

FIG. 6 is a top plan view thereof;

FIG. 7 is a front elevational view thereof; and,

FIG. 8 is a bottom plan view thereof.

The broken line showing of the aerator and handle in FIG. 1 are for purposes of illustration only and form no part of the claimed design.

1 Claim, 5 Drawing Sheets

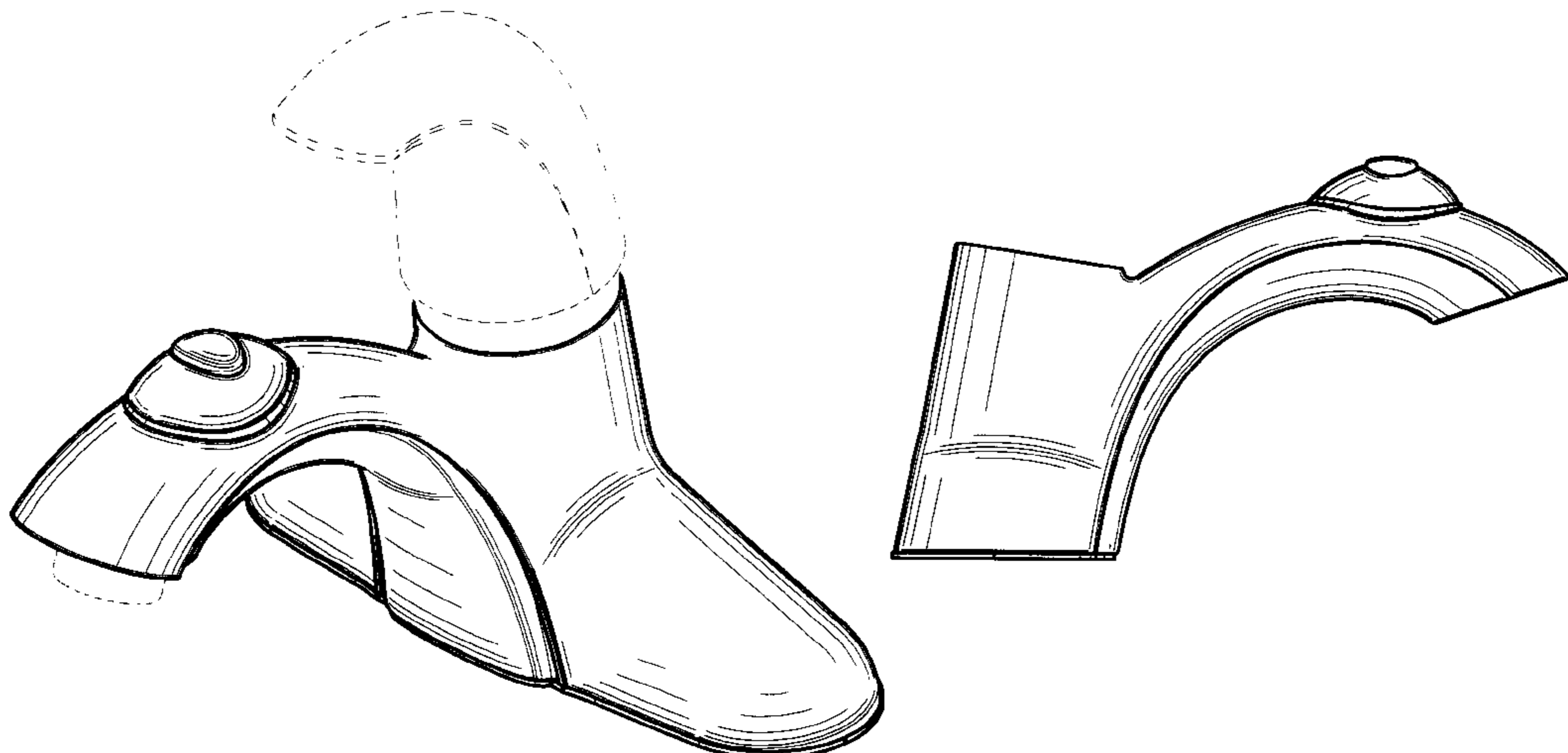


Figure - 1

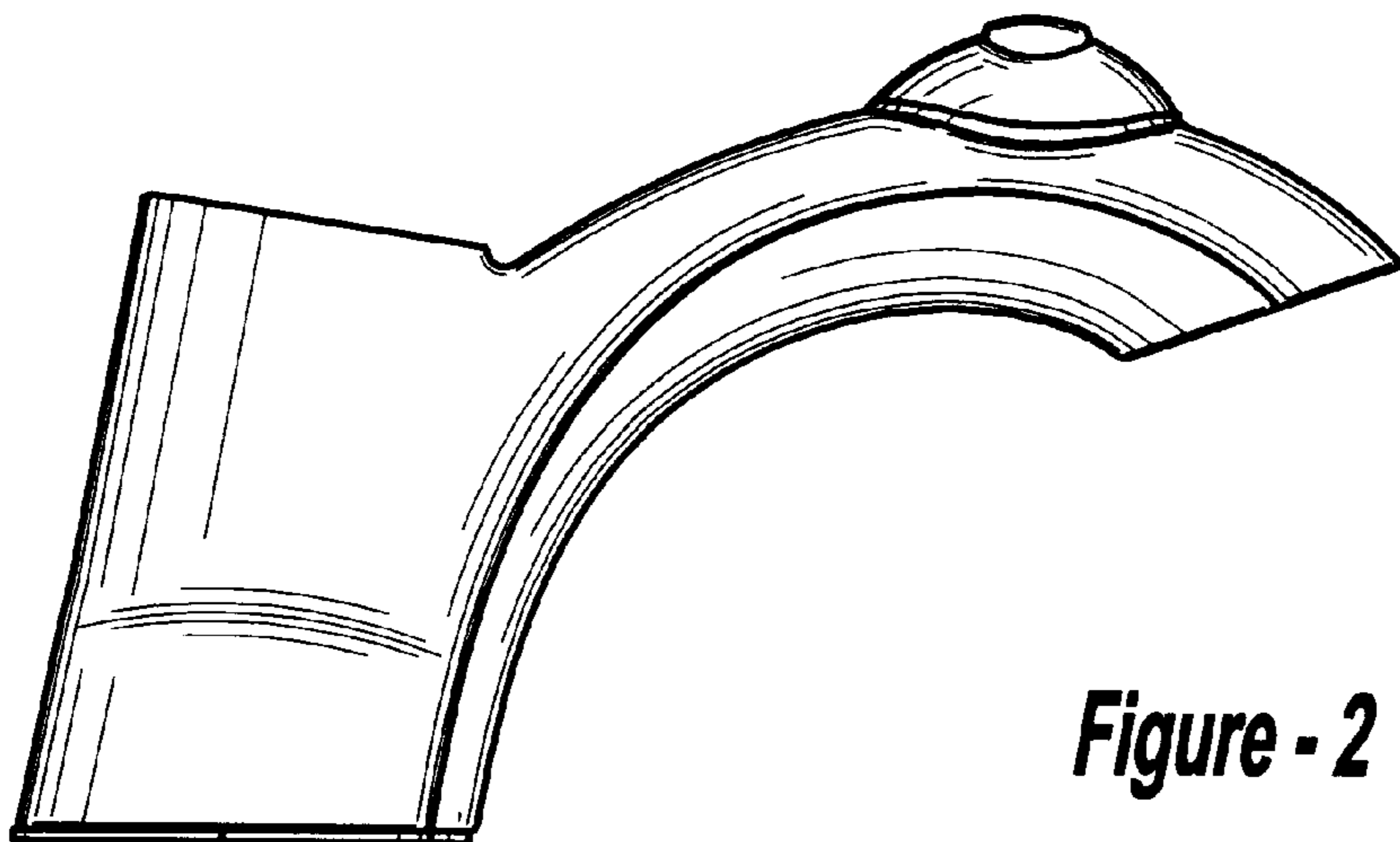
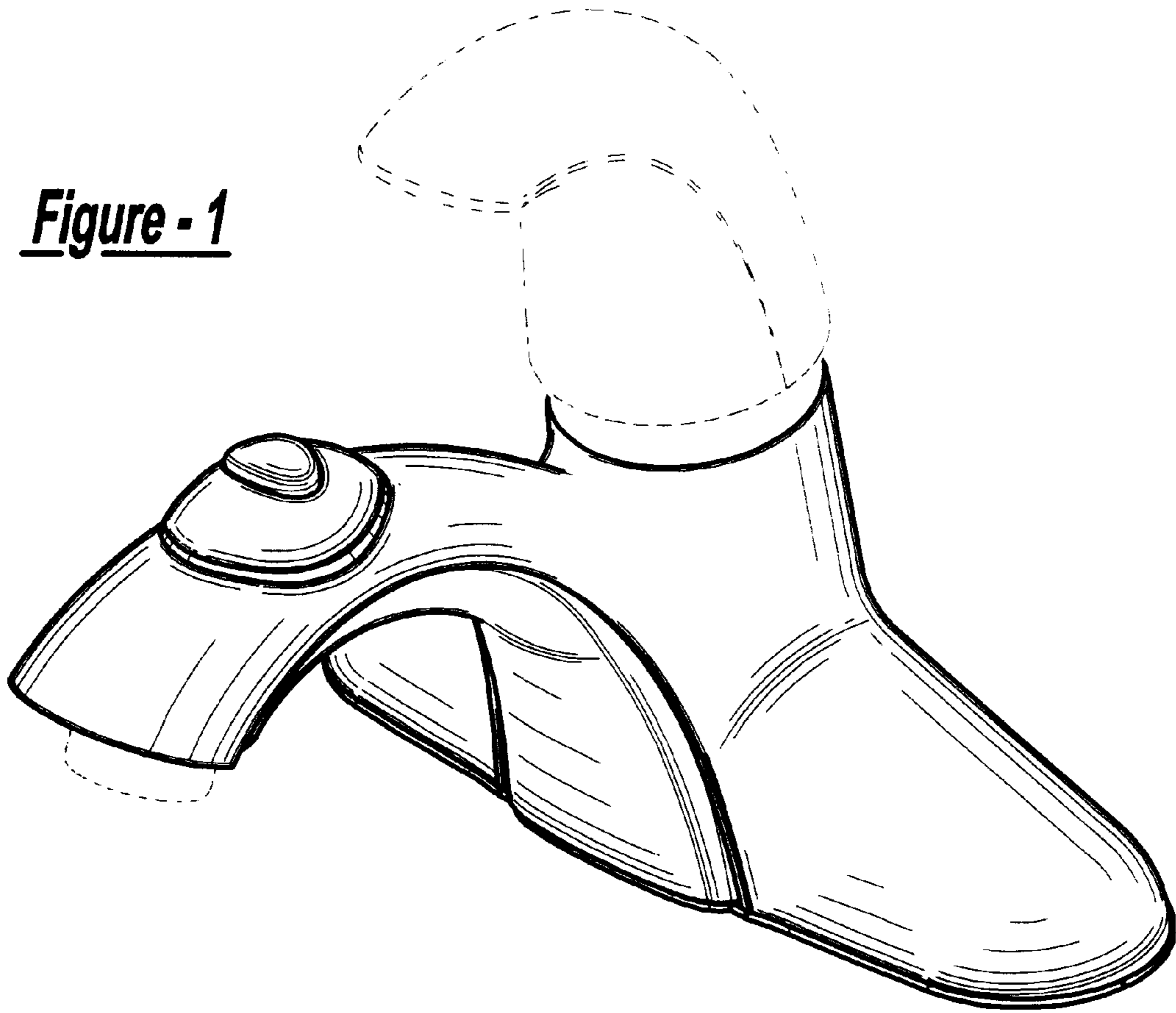


Figure - 2

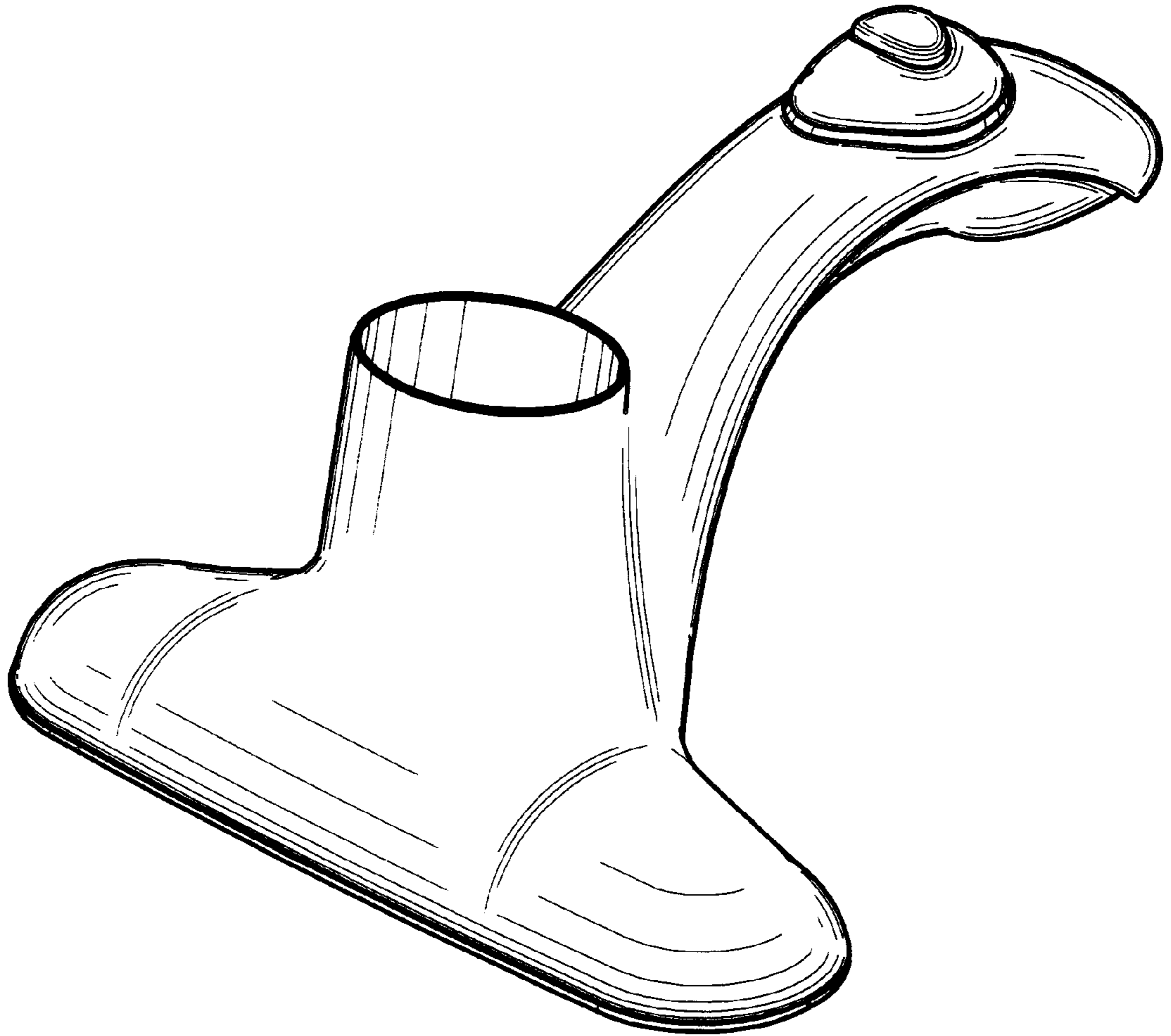


Figure - 3

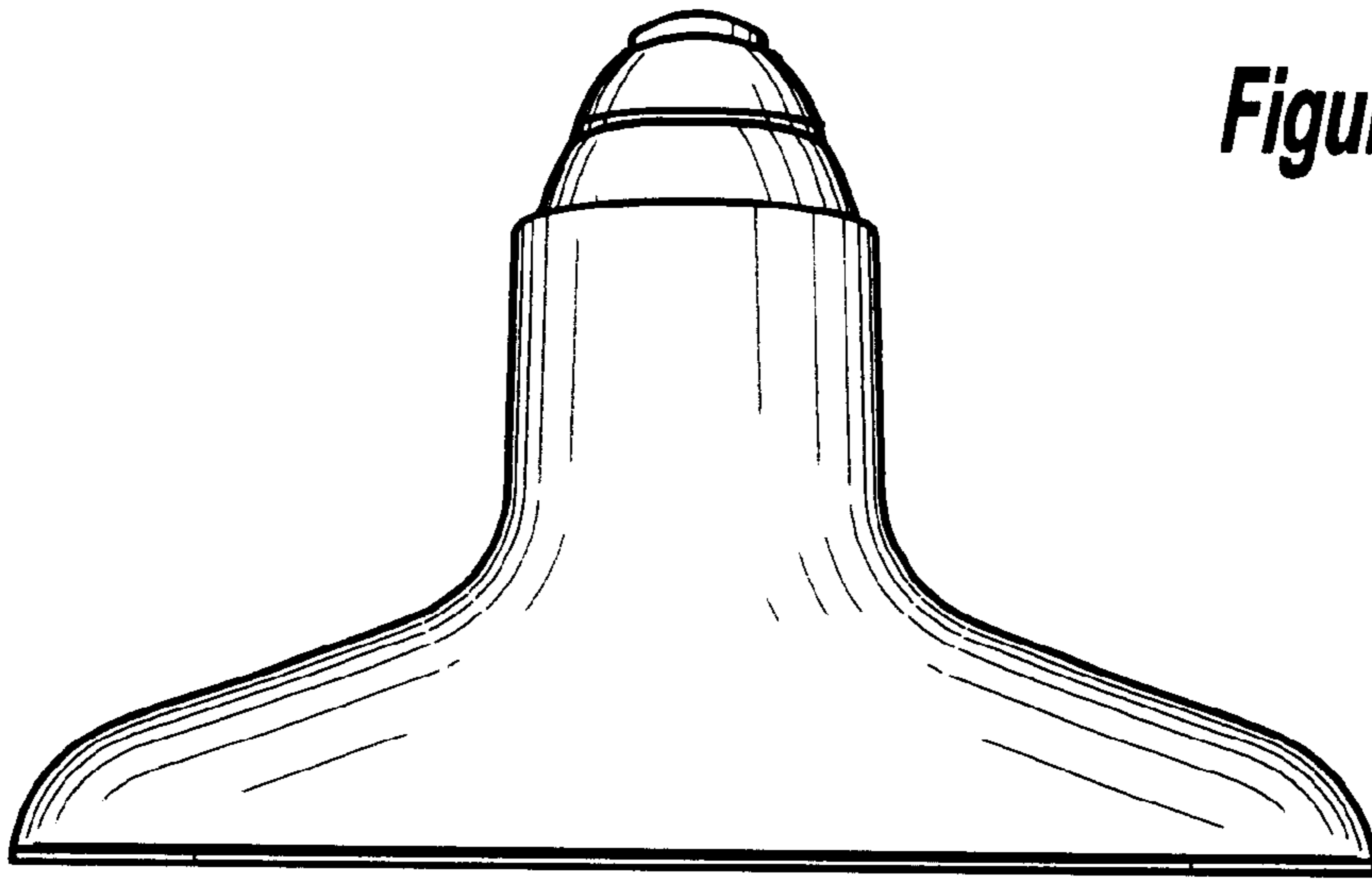


Figure - 4

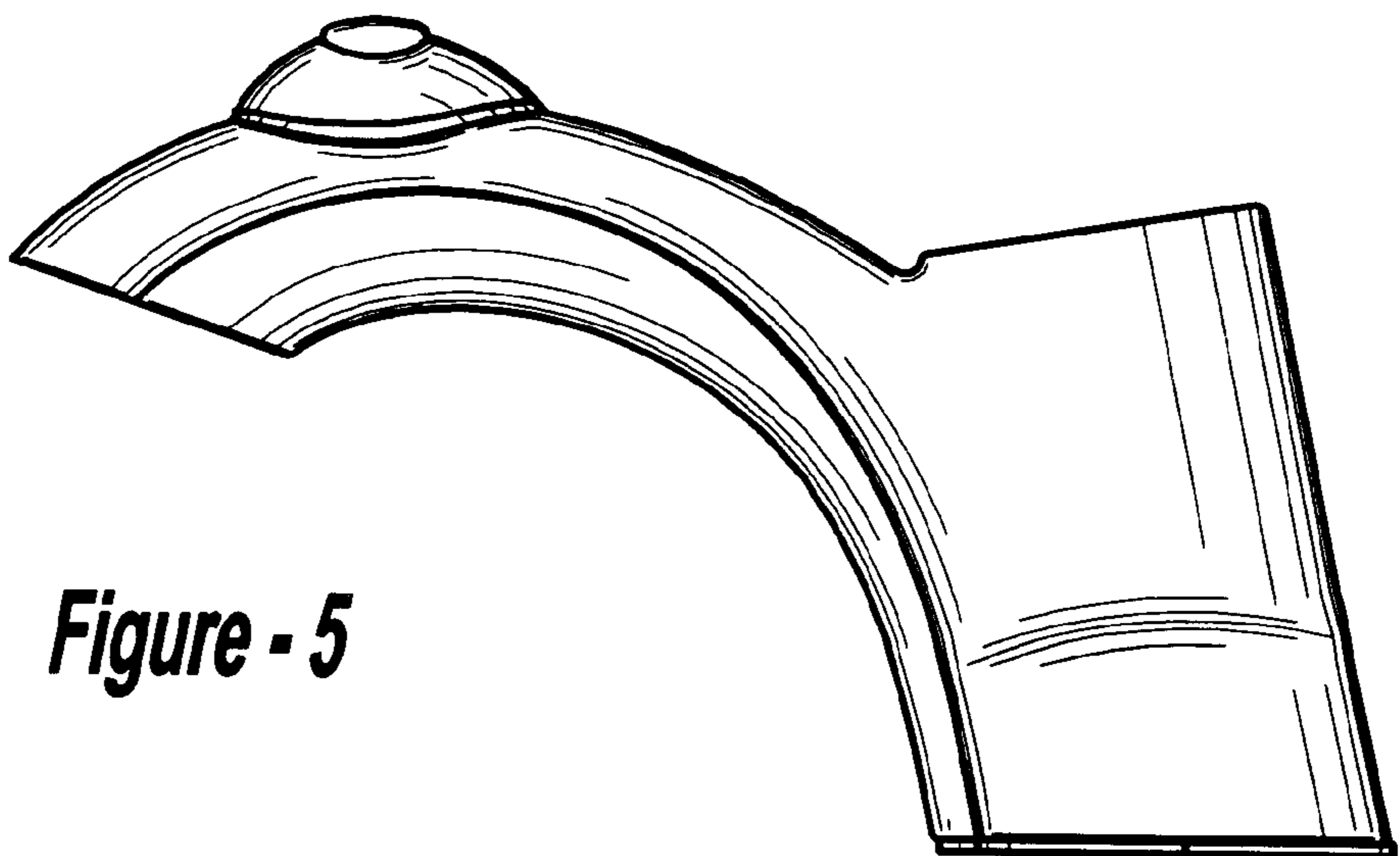


Figure - 5

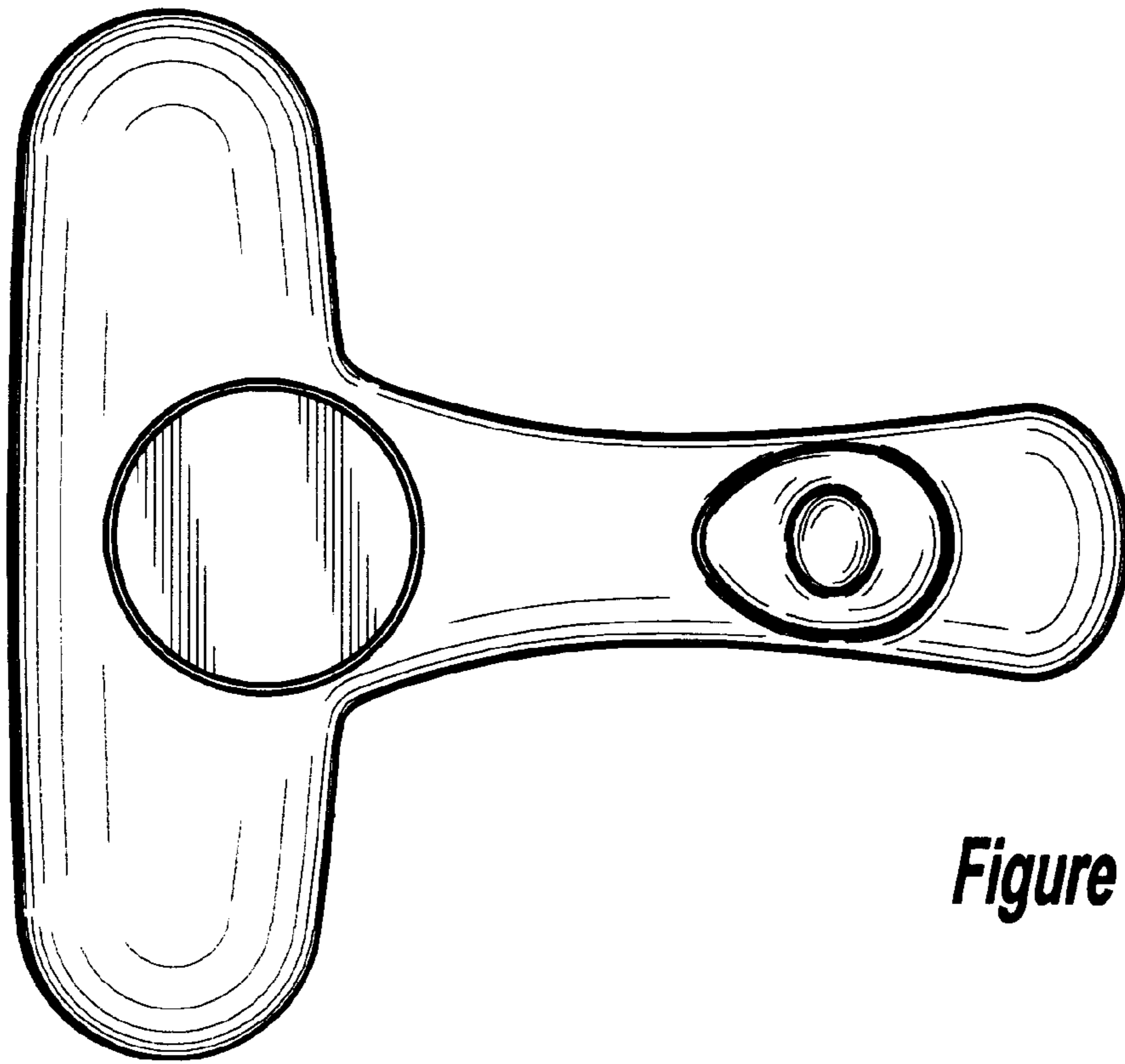


Figure - 6

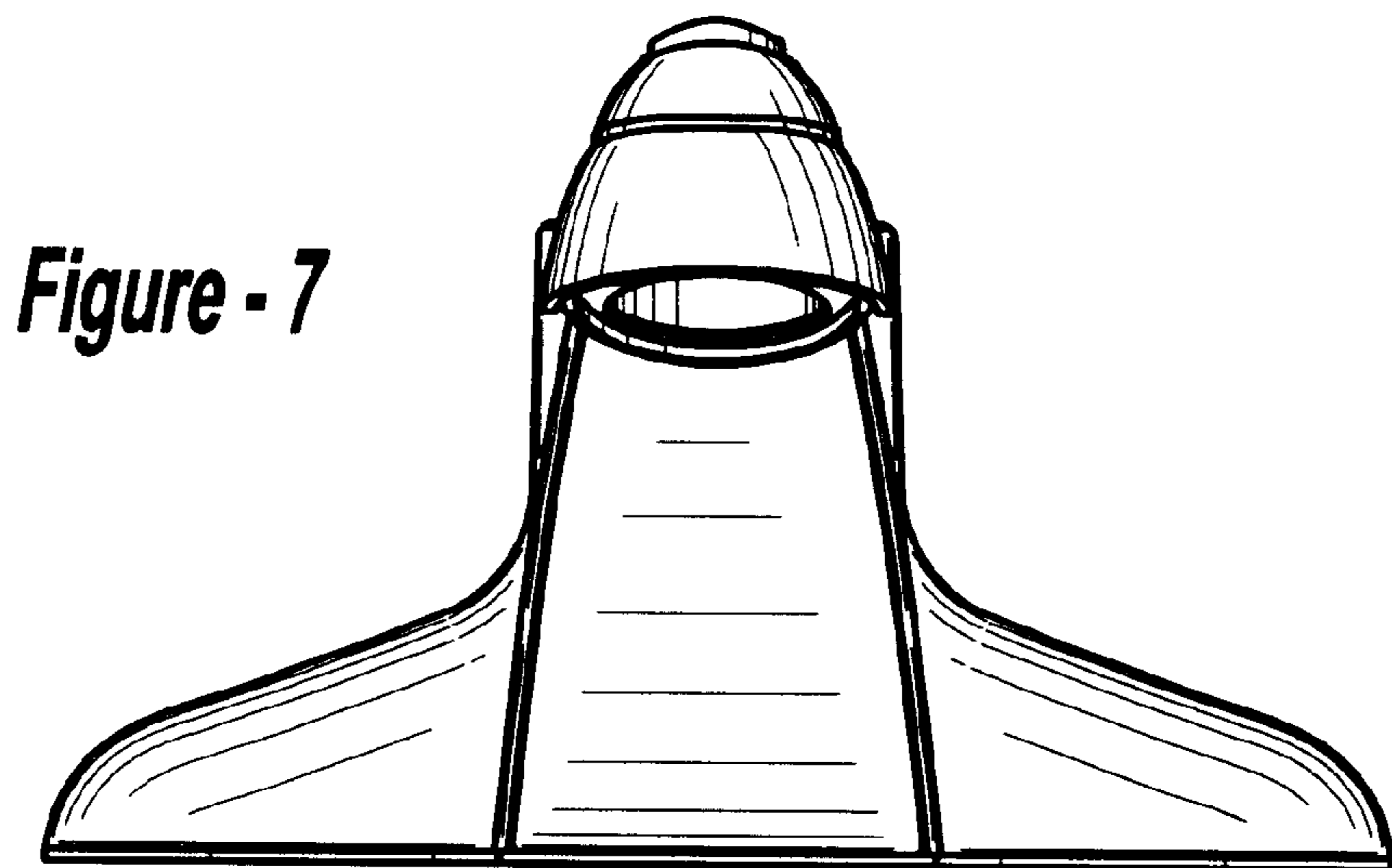


Figure - 7

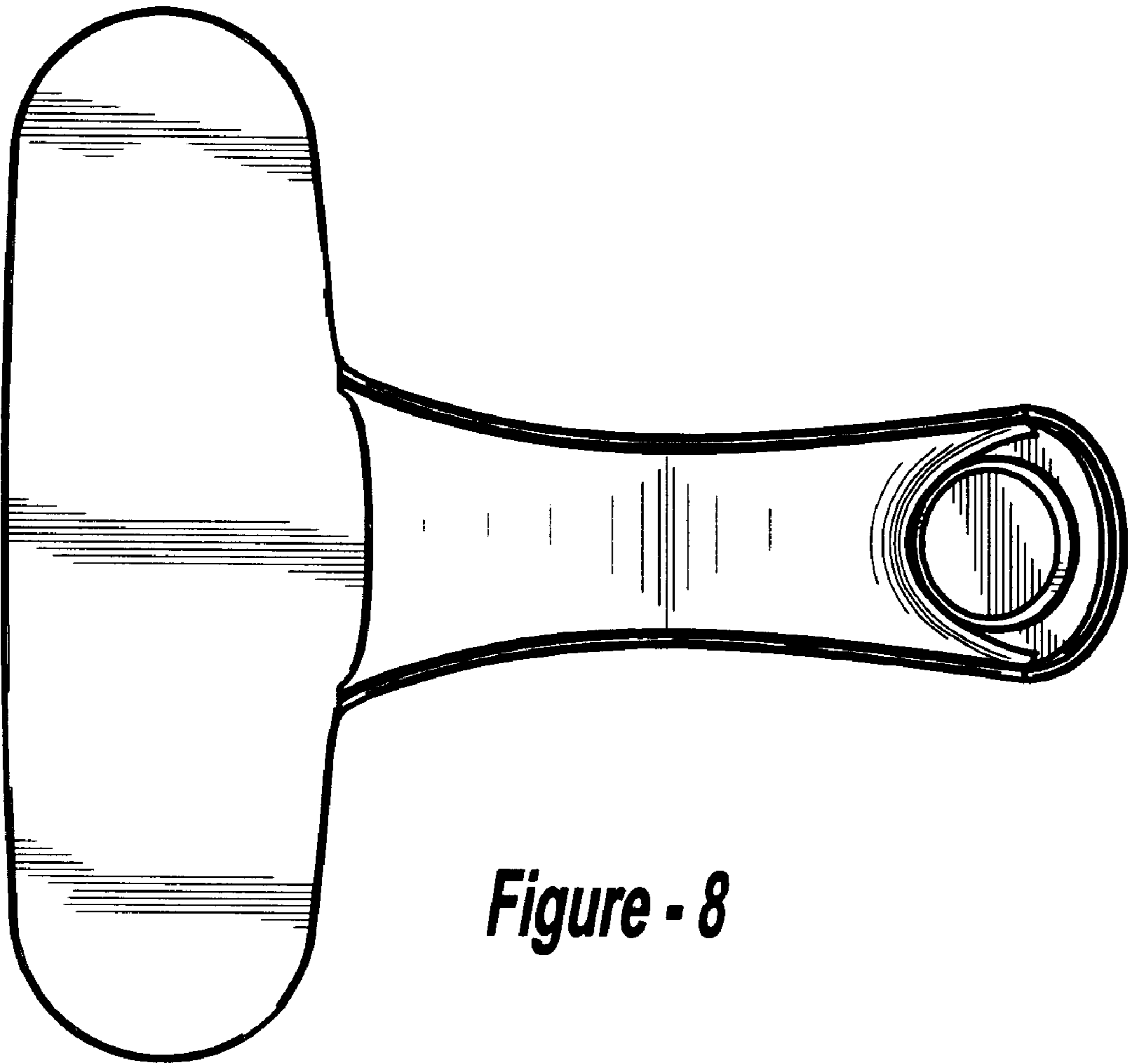


Figure - 8