



US00D46553S

(12) **United States Design Patent**  
**Singtoroj**

(10) **Patent No.:** **US D465,553 S**

(45) **Date of Patent:** **\*\* Nov. 12, 2002**

(54) **SHOWER HEAD AND ARM**

D430,267 S 8/2000 Milrud et al.  
6,276,004 B1 8/2001 Bertrand et al.

(75) Inventor: **Yos Singtoroj**, Anaheim, CA (US)

**FOREIGN PATENT DOCUMENTS**

(73) Assignee: **Emhart LLC**, Newark, DE (US)

GB 2026316 2/1980

(\*\*) Term: **14 Years**

\* cited by examiner

(21) Appl. No.: **29/154,765**

*Primary Examiner*—Robin V. Taylor

(22) Filed: **Jan. 29, 2002**

(74) *Attorney, Agent, or Firm*—Richard J. Veltman; John D. Del Ponti

(51) **LOC (7) Cl.** ..... **23-01**

(57) **CLAIM**

(52) **U.S. Cl.** ..... **D23/229**

The ornamental design for a shower head and arm, as shown and described.

(58) **Field of Search** ..... D23/213, 223,  
D23/229, 230, 228; 239/587.1, 587.2, 587.3,  
548; 4/615

**DESCRIPTION**

(56) **References Cited**

FIG. 1 is a perspective view of the new design for a shower head and arm;

**U.S. PATENT DOCUMENTS**

FIG. 2 is a left elevational view of the new design for a shower head and arm, the right elevational view being a mirror image;

D77,442 S	1/1929	Smith	
D94,146 S	12/1934	Isenberg	
D95,258 S	4/1935	Johnson	
D101,440 S	* 10/1936	Dreyfuss	..... D23/230
2,228,626 A	1/1941	Hetherington	
2,496,520 A	2/1950	Daniel	
2,539,976 A	1/1951	Samson et al.	
2,893,644 A	7/1959	Holden	
D260,809 S	* 9/1981	Fleischmann	..... D23/229
D309,496 S	* 7/1990	Ramsey et al.	..... D23/230
D385,335 S	10/1997	Caroen et al.	
D410,996 S	6/1999	Ben-Tsur	
D413,157 S	8/1999	Ratzlaff	

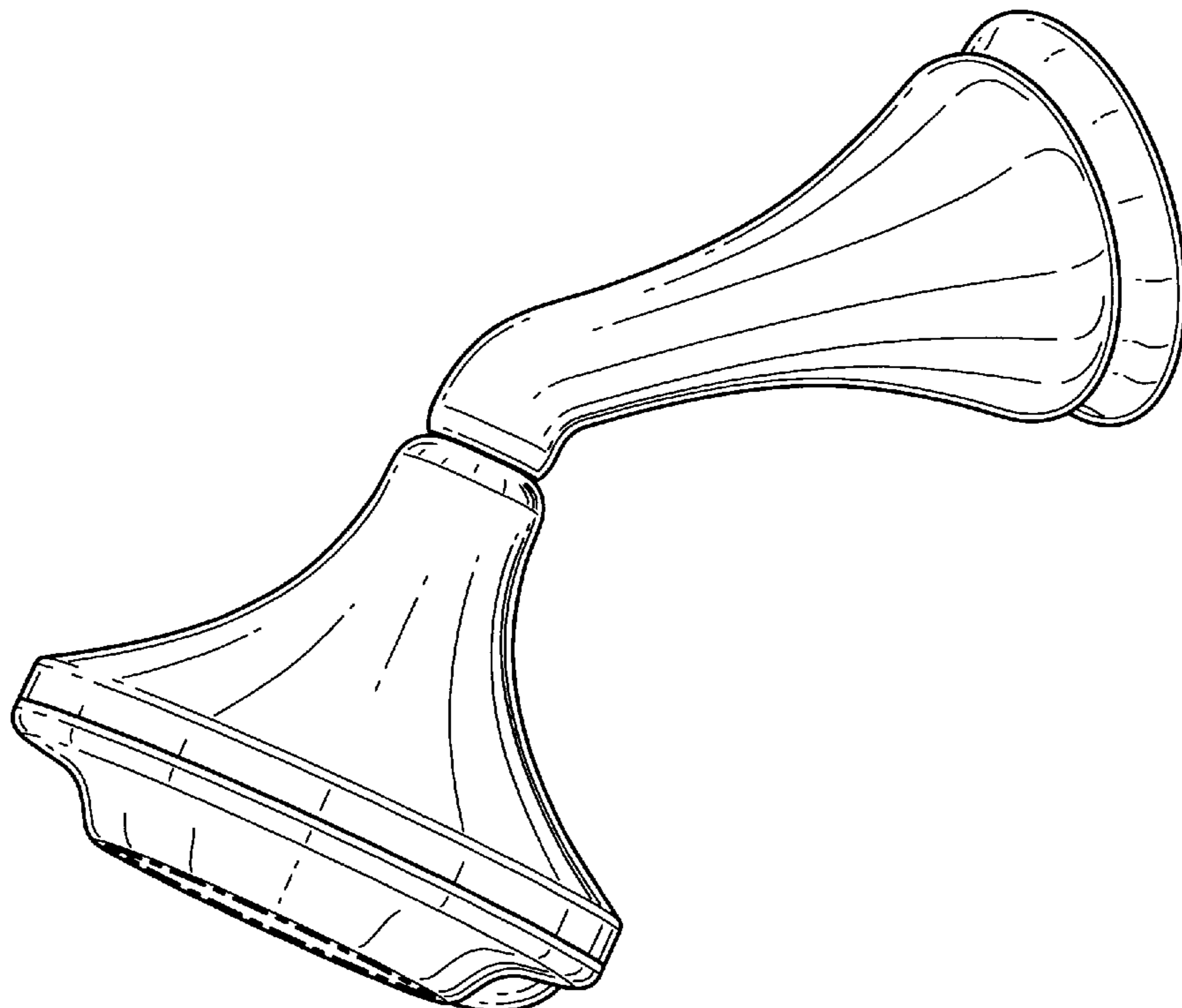
FIG. 3 is a top plan view of the new design for a shower head and arm;

FIG. 4 is a bottom plan view of the new design for a shower head and arm;

FIG. 5 is a front elevational view of the new design for a shower head and arm; and,

FIG. 6 is a rear elevational view of the new design for a shower head and arm.

**1 Claim, 6 Drawing Sheets**



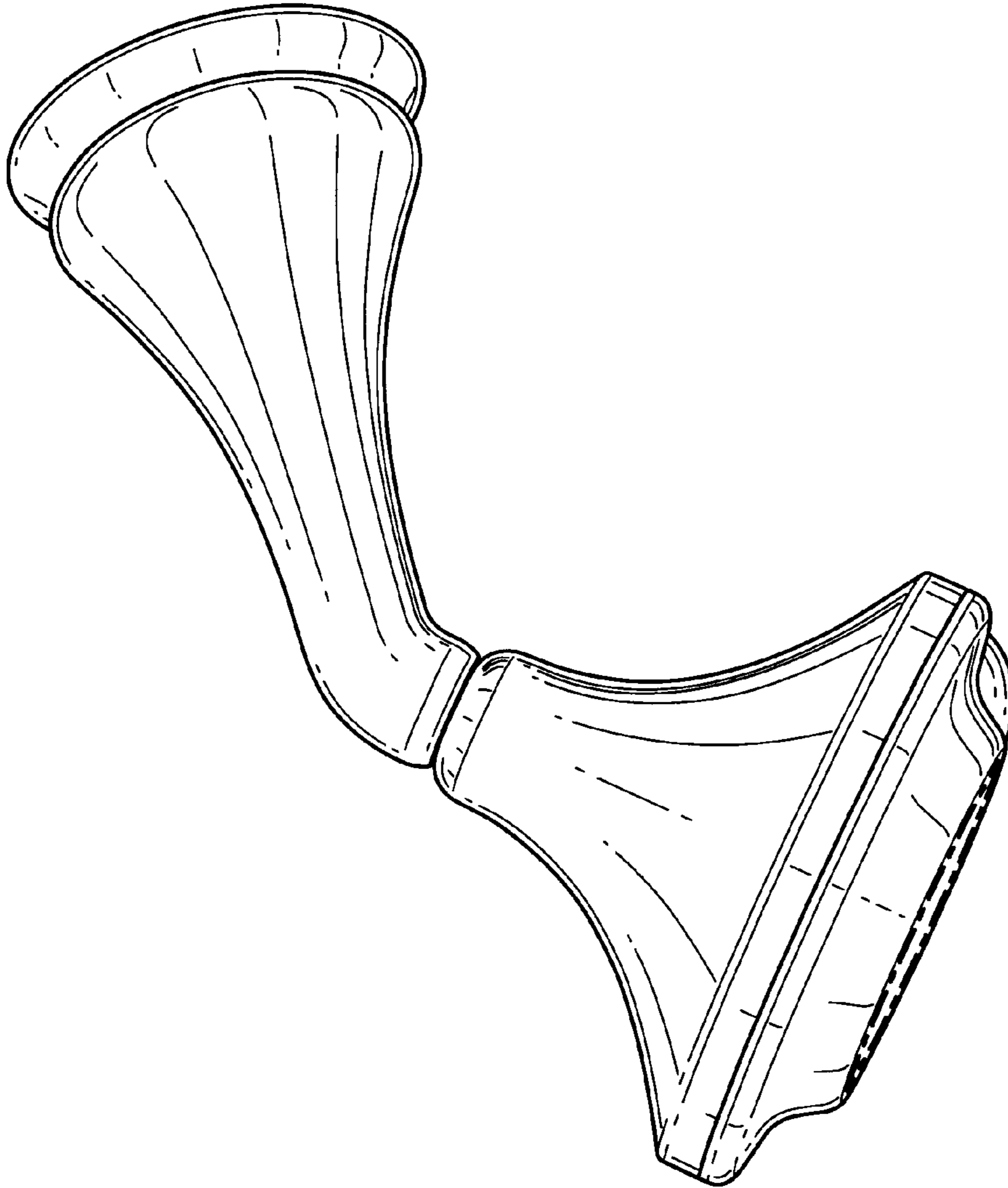


FIG. 1

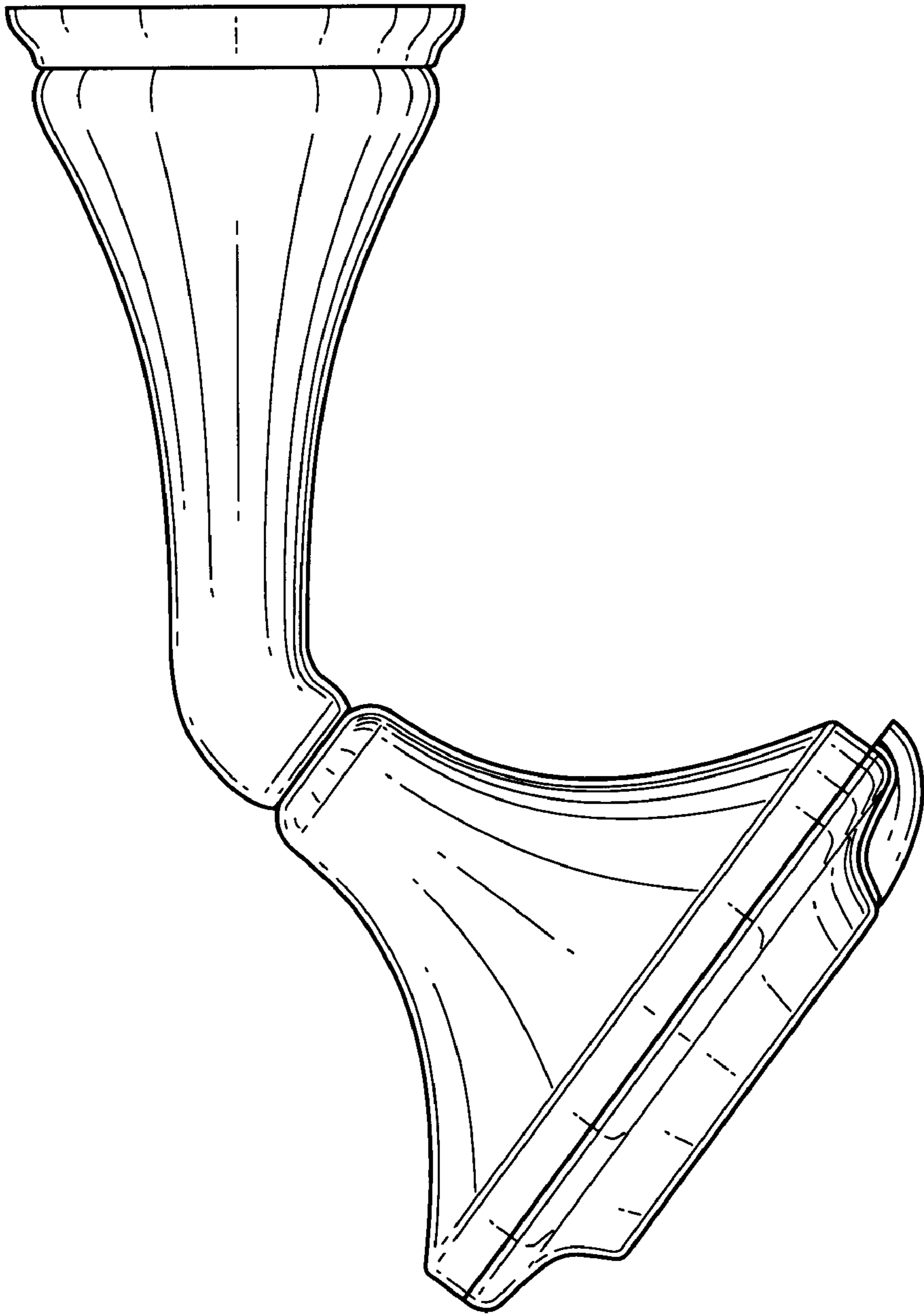


FIG. 2

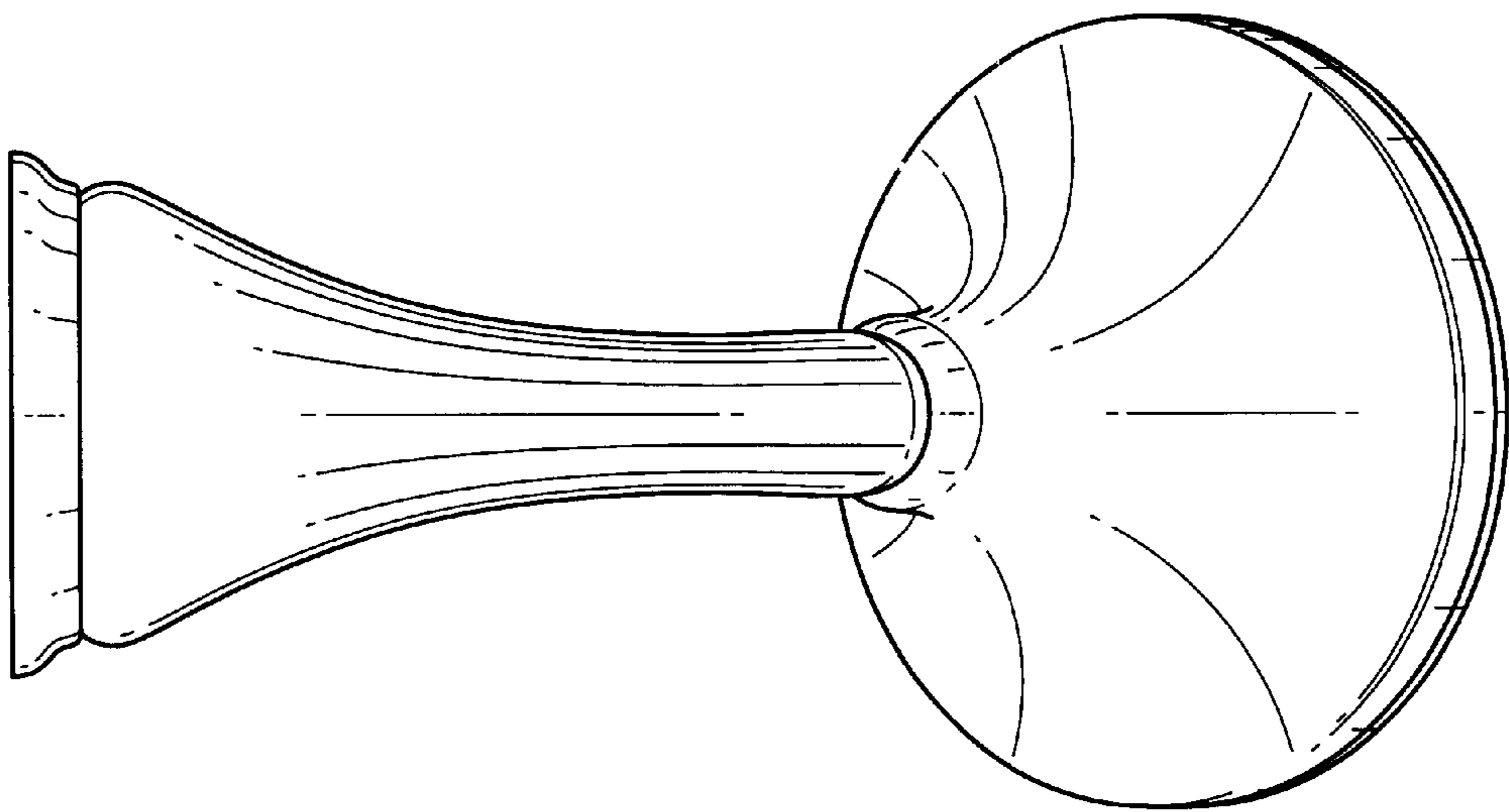


FIG. 3

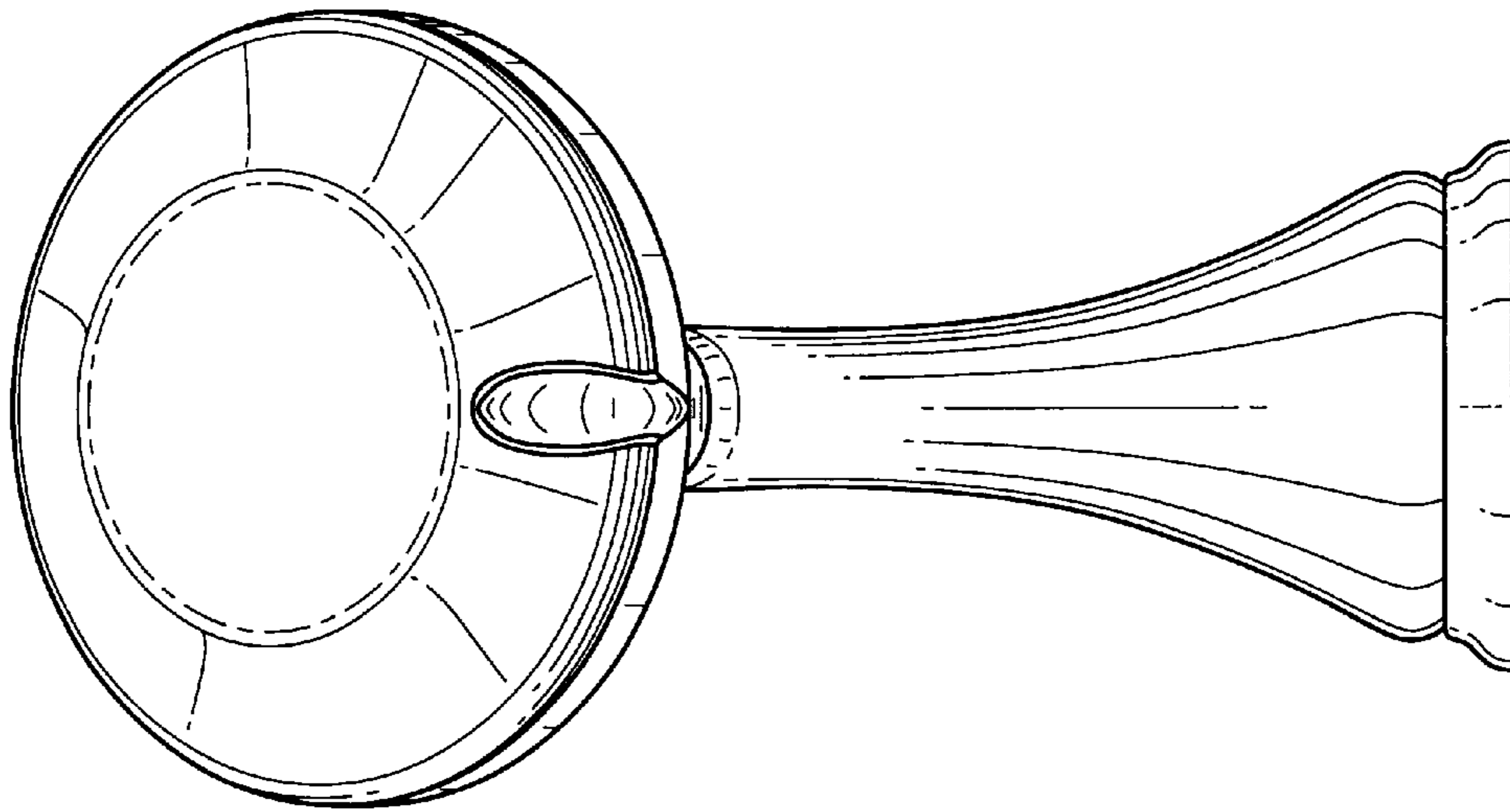


FIG. 4

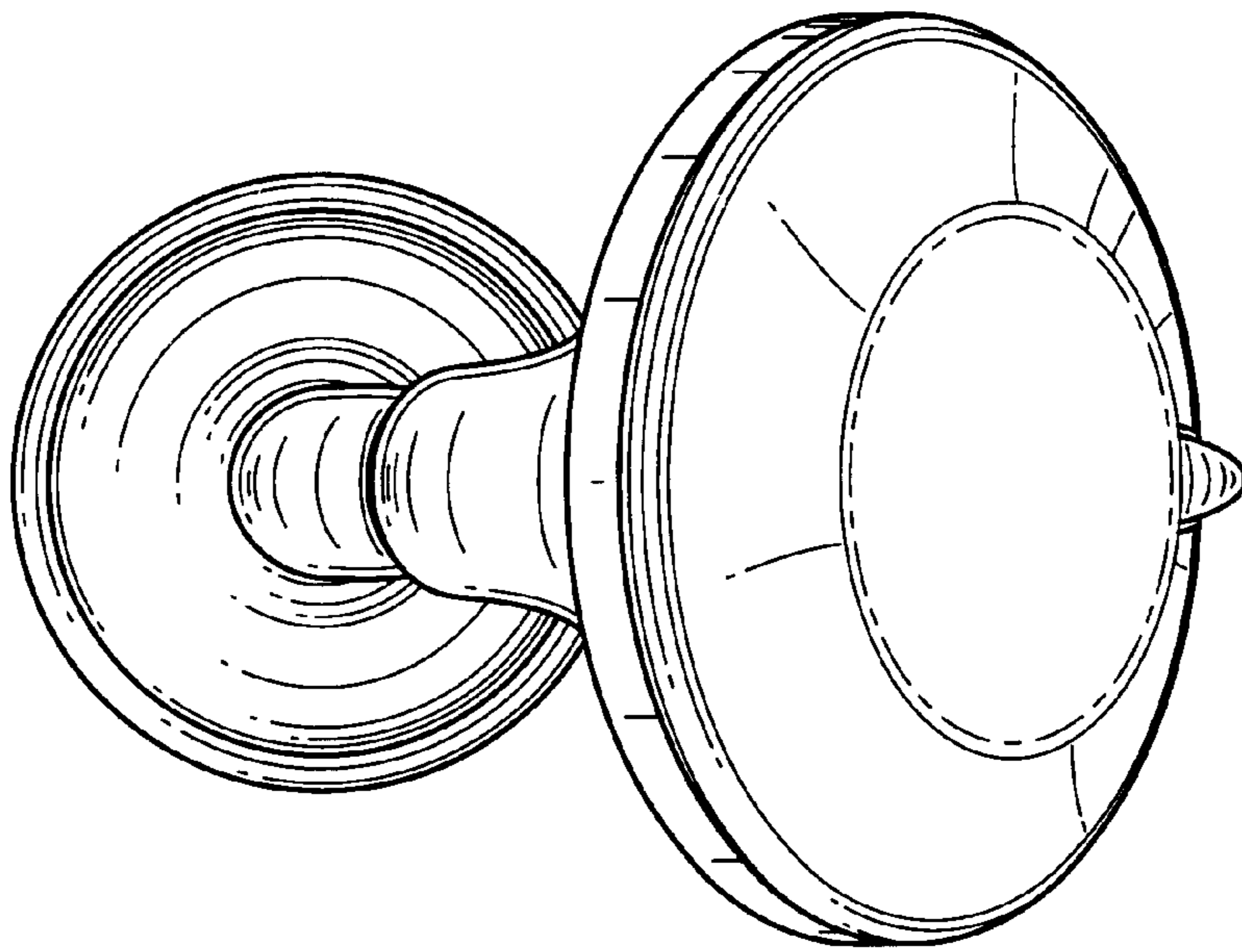


FIG. 5

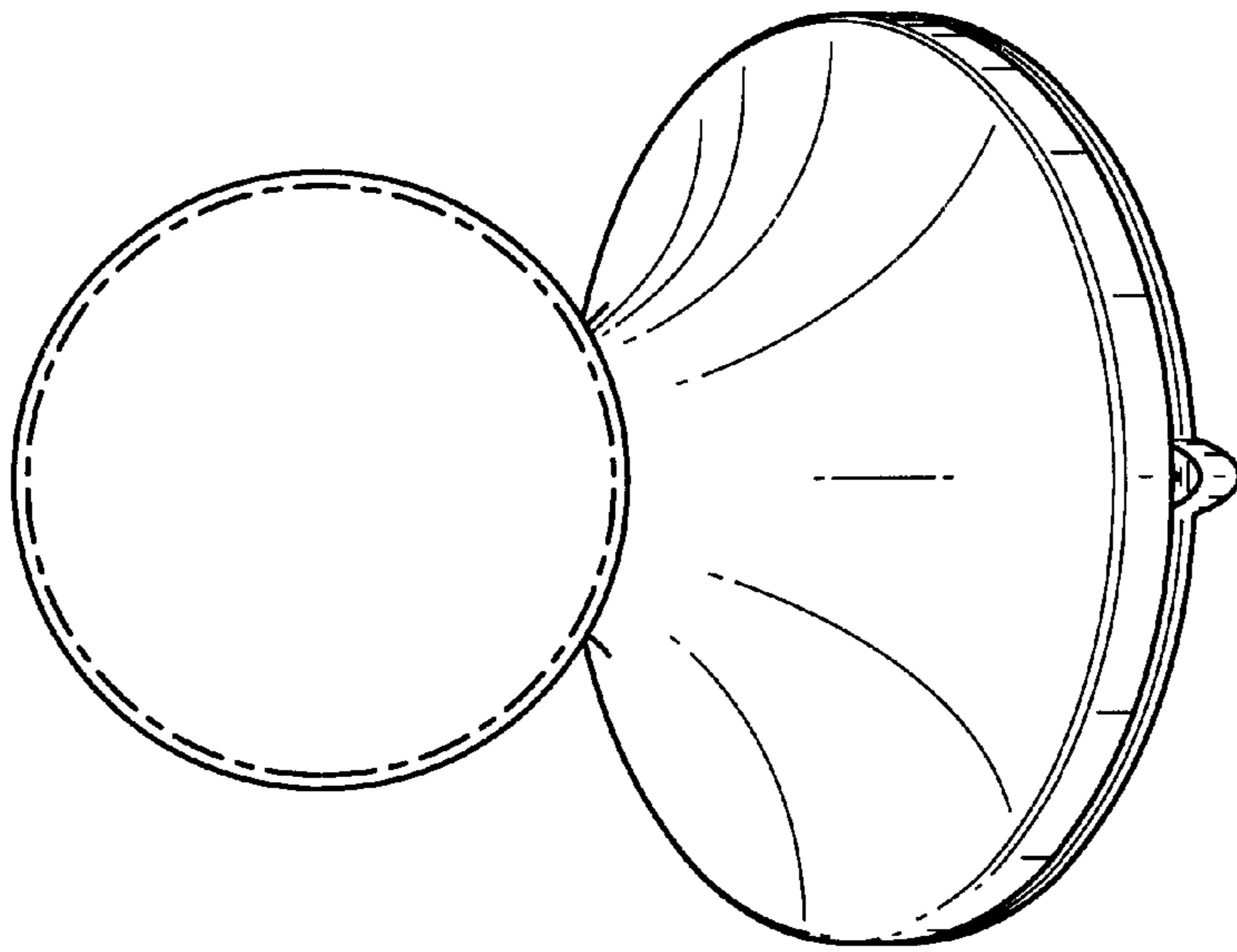


FIG. 6