

US00D46551S

(12) **United States Design Patent** (10) **Patent No.:** **US D465,551 S**  
**Tse** (45) **Date of Patent:** **\*\* Nov. 12, 2002**

(54) **SHOWERHEAD**

(75) Inventor: **Hing Fai Tse**, New Territories (HK)

(73) Assignee: **Brand New Technology Ltd.**, Kowloon (HK)

(\*\*) Term: **14 Years**

(21) Appl. No.: **29/152,125**

(22) Filed: **Dec. 18, 2001**

(51) **LOC (7) Cl.** ..... **23-01**

(52) **U.S. Cl.** ..... **D23/229**

(58) **Field of Search** ..... D23/213, 229,  
D23/230, 223; 239/282, 283, 548

(56) **References Cited**

**U.S. PATENT DOCUMENTS**

D429,795 S	*	8/2000	Tse	.....	D23/229
D451,171 S	*	11/2001	Lindholm et al.	.....	D23/229
D451,583 S	*	12/2001	Lindholm et al.	.....	D23/229
D452,553 S	*	12/2001	Lindholm et al.	.....	D23/229

\* cited by examiner

*Primary Examiner*—Robin V. Taylor  
(74) *Attorney, Agent, or Firm*—Leydig, Voit & Mayer, Ltd.

(57) **CLAIM**

The ornamental design for a showerhead, as shown and described.

**DESCRIPTION**

FIG. 1 is a front, right side and bottom perspective view of a showerhead showing my new design;

FIG. 2 is a front elevational view thereof;

FIG. 3 is a rear elevational view thereof;

FIG. 4 is a right side elevational view thereof;

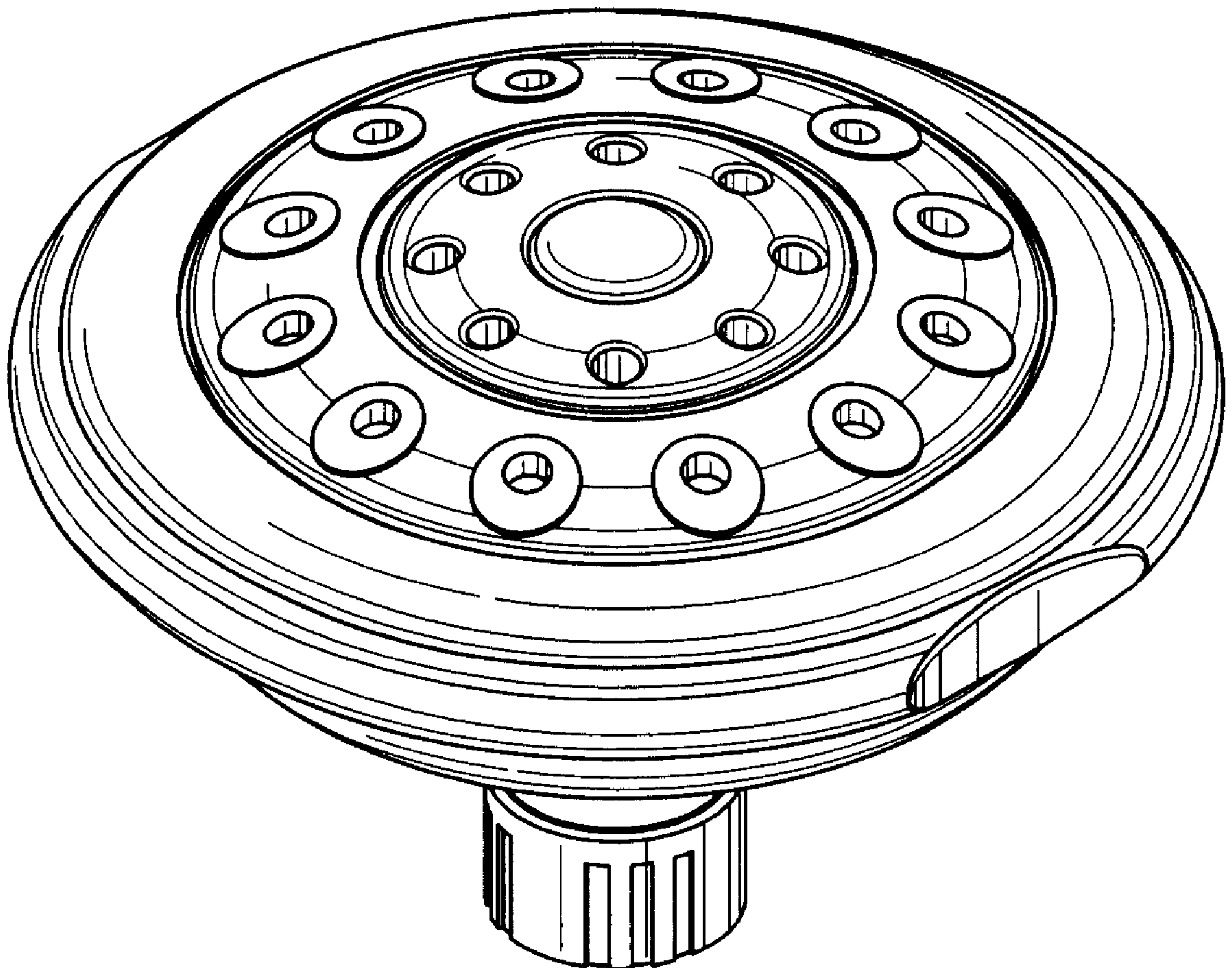
FIG. 5 is a left side elevational view thereof;

FIG. 6 is a top plan view thereof; and,

FIG. 7 is a bottom plan view thereof.

The broken line showing is for illustrative purposes only and forms no part of the claimed design.

**1 Claim, 4 Drawing Sheets**



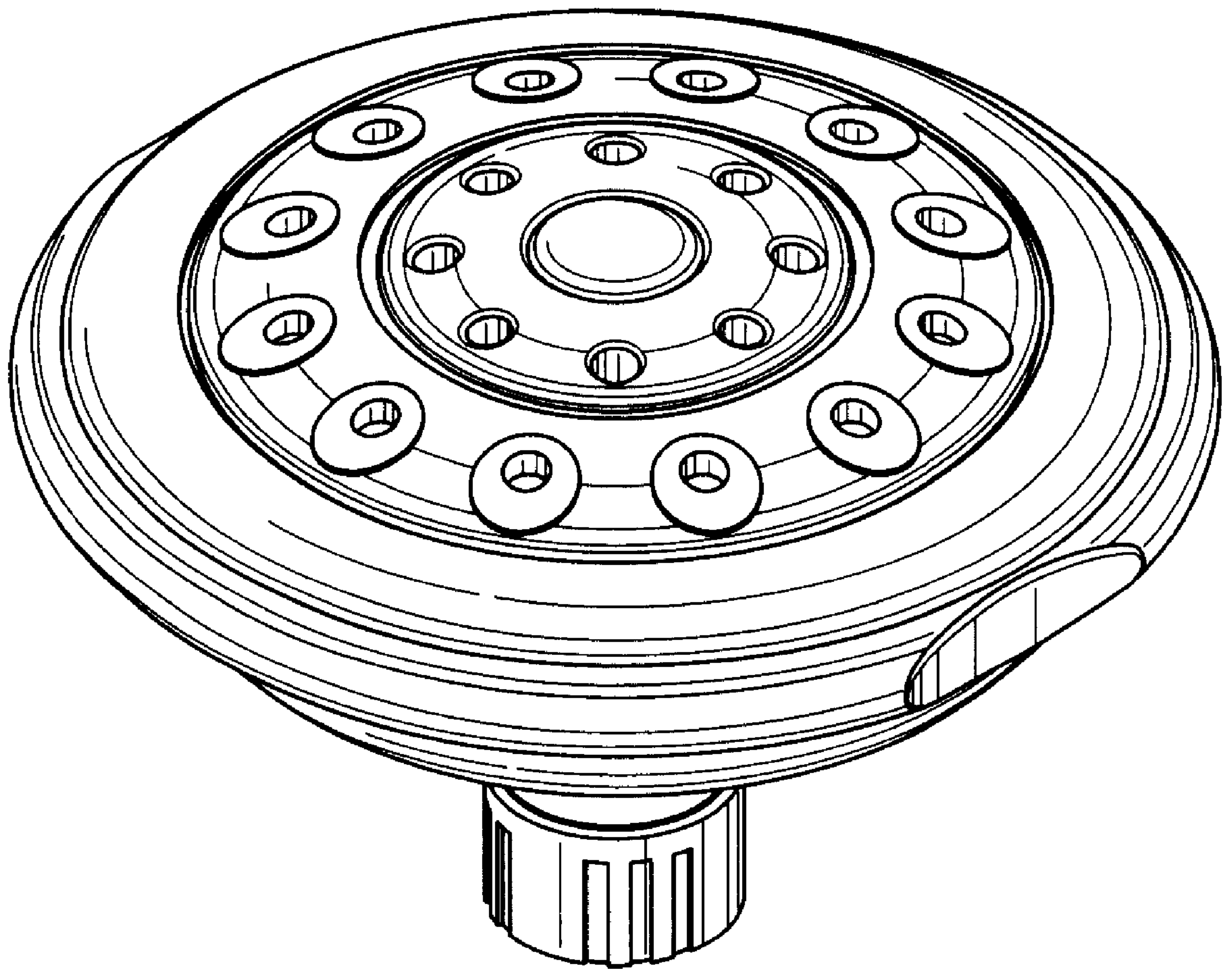


FIG. 1

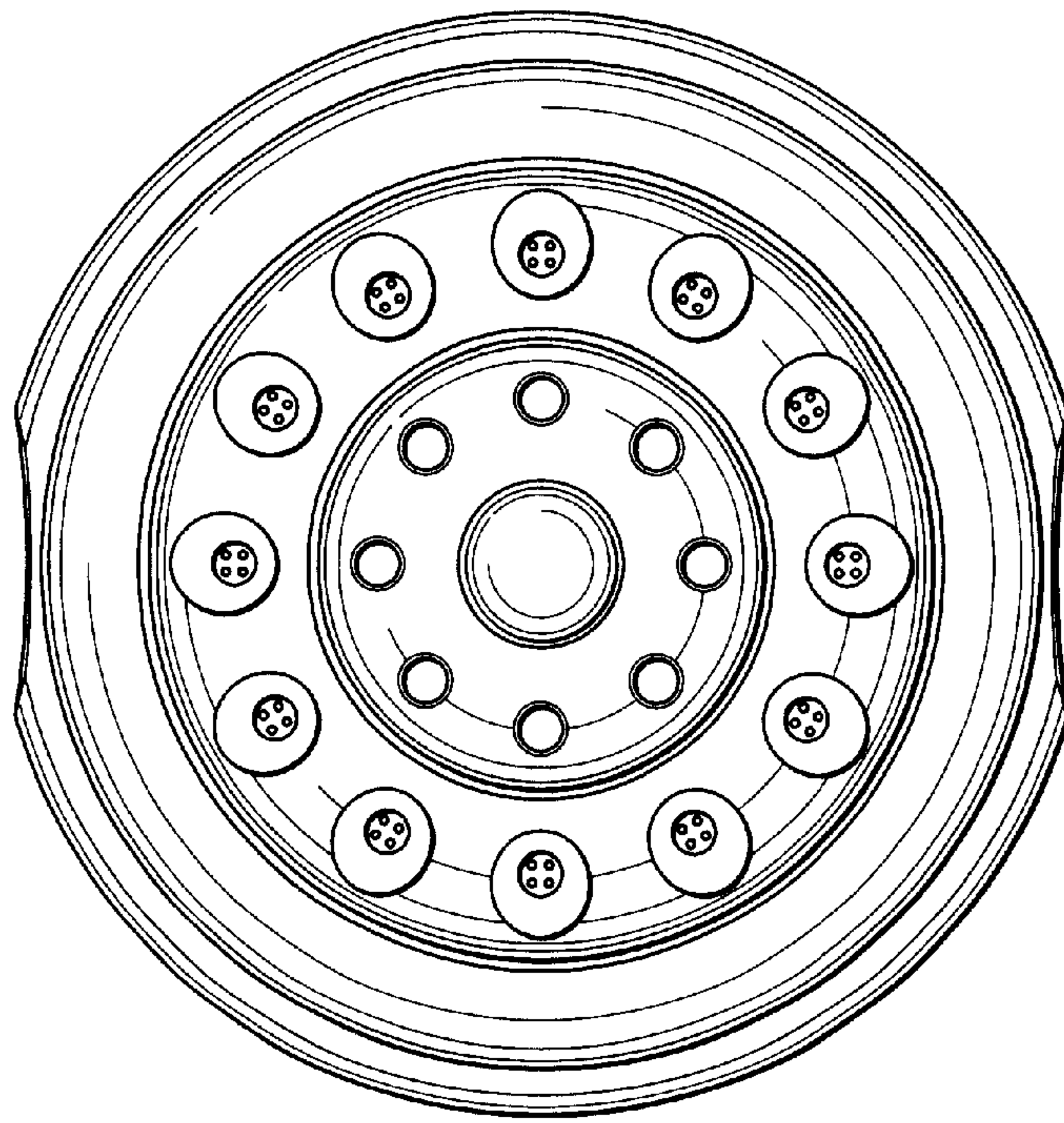


FIG. 2

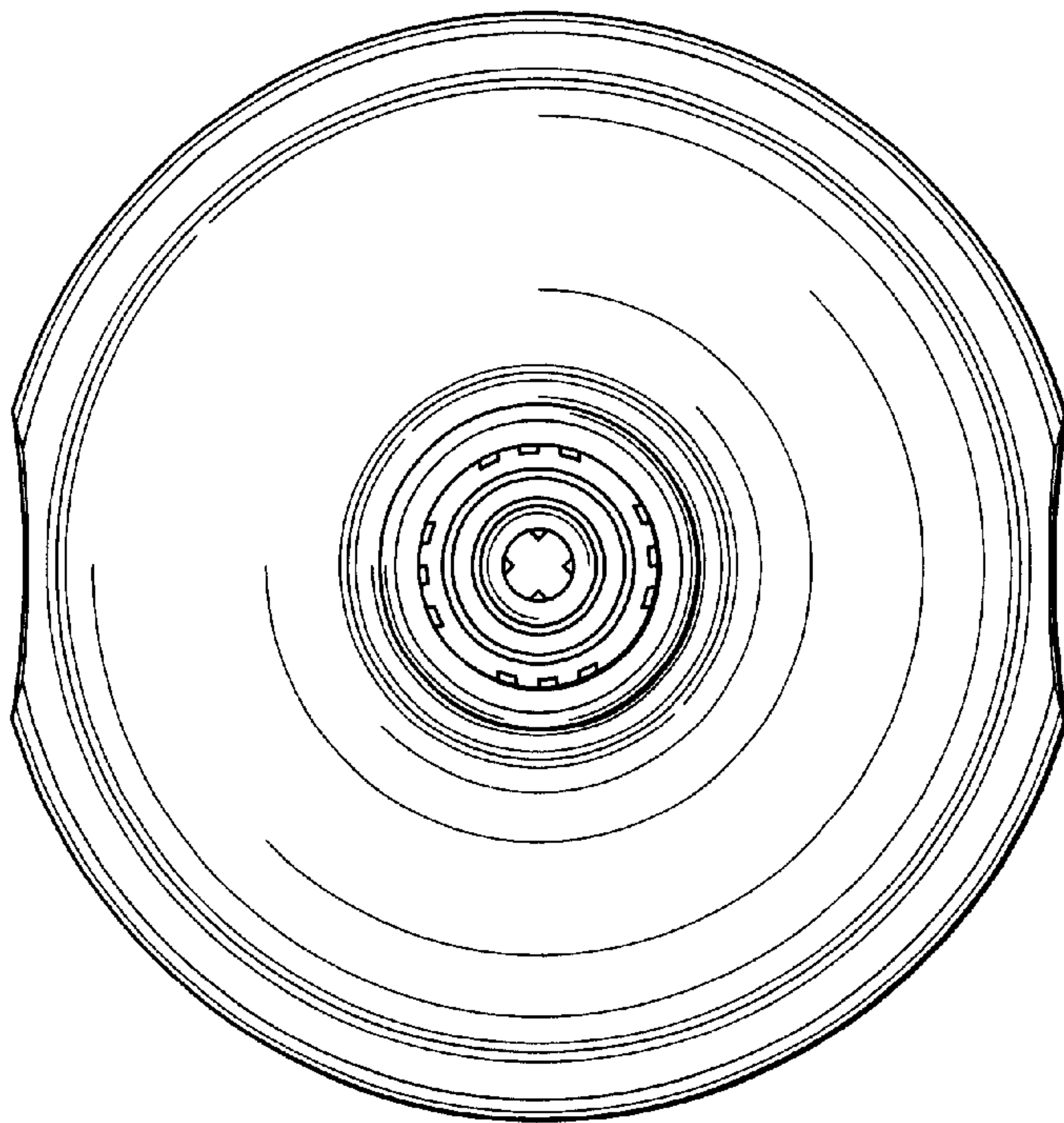


FIG. 3



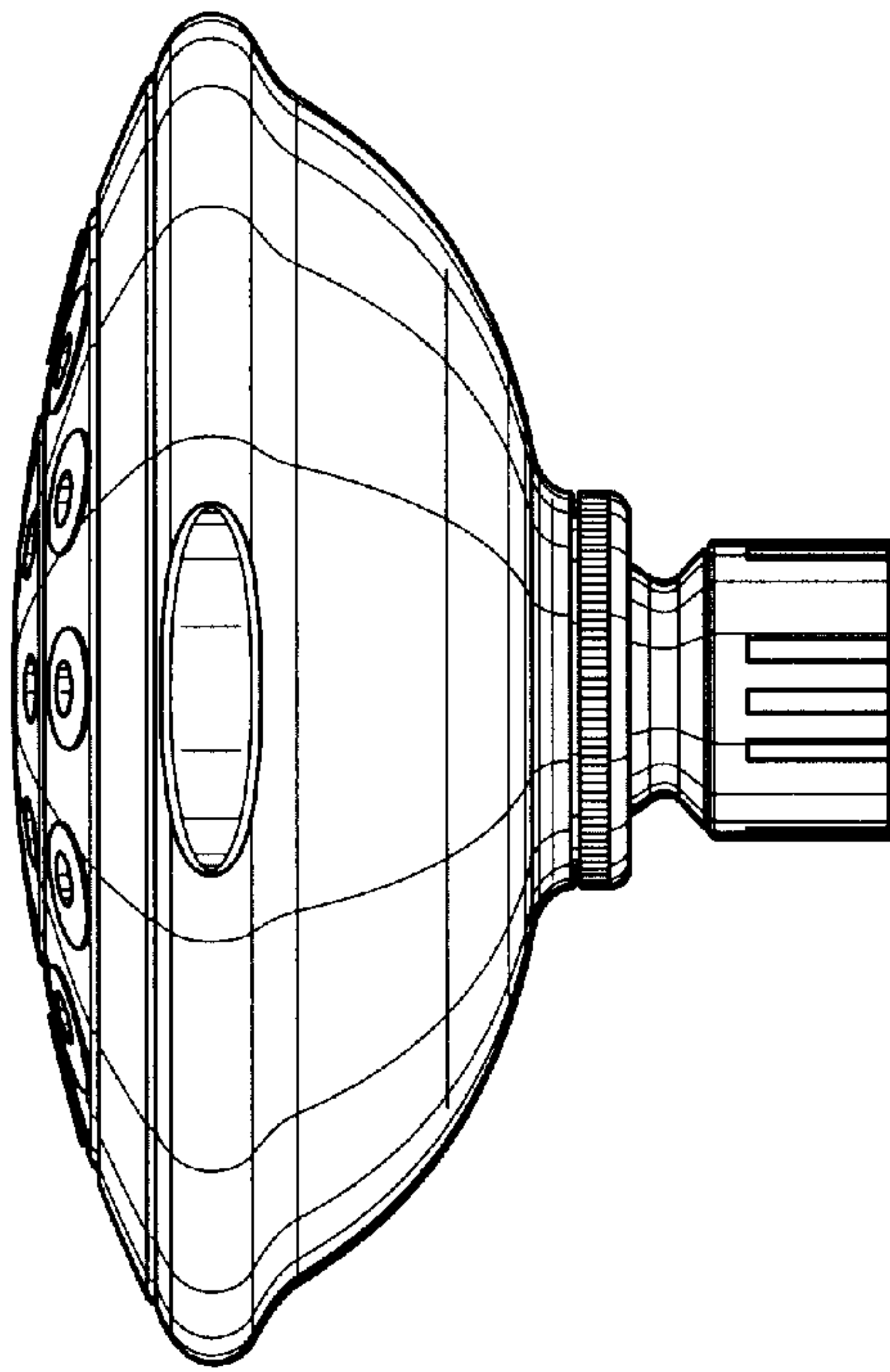


FIG. 4

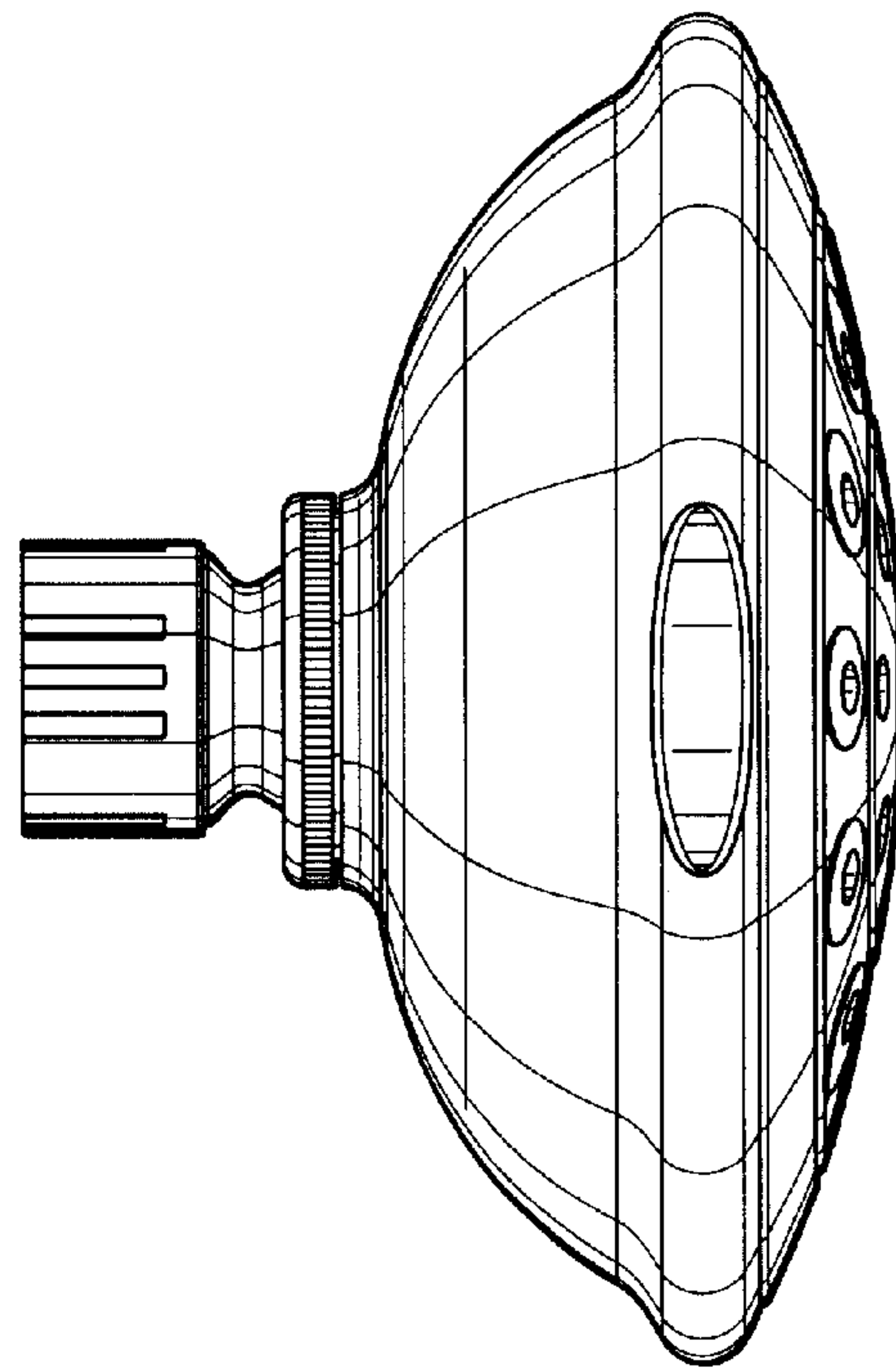


FIG. 5

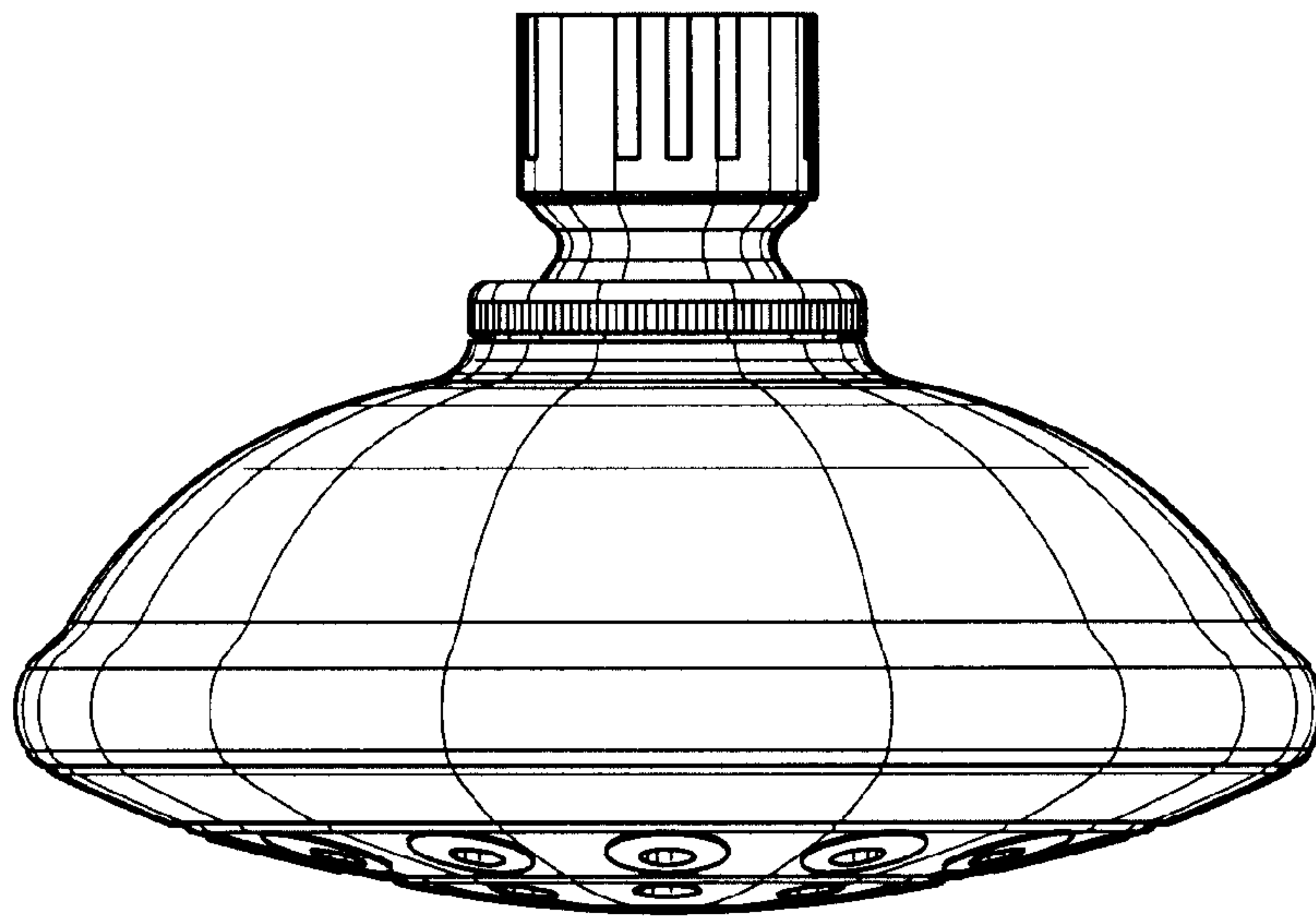


FIG. 6

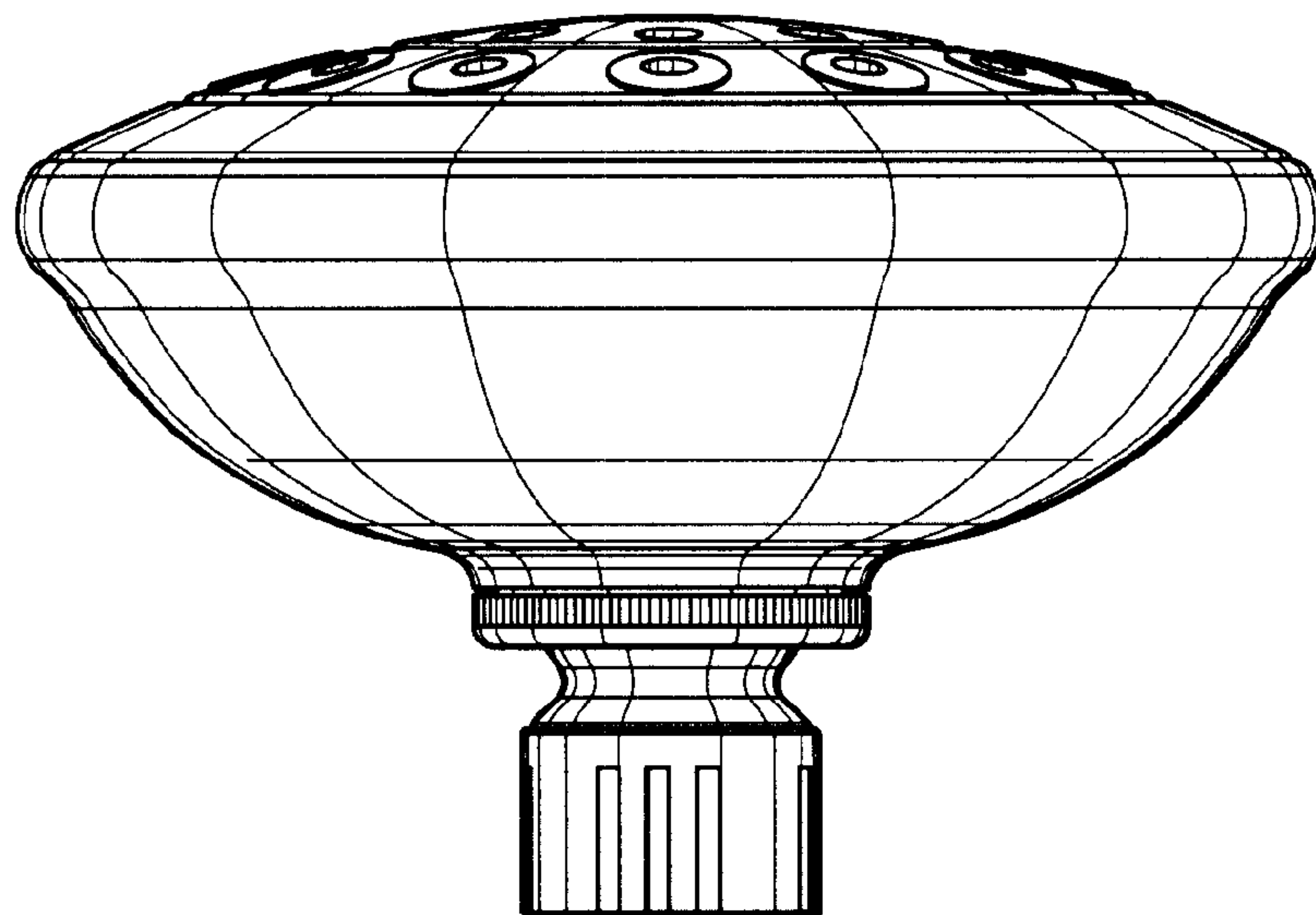


FIG. 7