



US00D465542S

(12) **United States Design Patent**  
**Bloch**

(10) **Patent No.:** **US D465,542 S**

(45) **Date of Patent:** **\*\* Nov. 12, 2002**

(54) **COMBINED SHEATH WITH A LOCKING MECHANISM AND KNIFE**

(75) **Inventor:** **David R. Bloch**, Boulder, CO (US)

(73) **Assignee:** **Outdoor Edge Cutlery Corp.**, Boulder, CO (US)

(\*\*) **Term:** **14 Years**

(21) **Appl. No.:** **29/091,488**

(22) **Filed:** **Jan. 28, 1997**

(51) **LOC (7) Cl.** ..... **22-05**

(52) **U.S. Cl.** ..... **D22/118; D3/220**

(58) **Field of Search** ..... **D22/118, 117; D3/220; 30/151, 162; 224/232**

(56) **References Cited**

**U.S. PATENT DOCUMENTS**

2,528,059	A	*	10/1950	Kendrick	.....	30/151
3,246,813	A	*	4/1966	Miller	.....	30/151
3,958,330	A	*	5/1976	Hutchens	.....	30/151
3,992,776	A	*	11/1976	Koppe et al.	.....	30/151
4,178,681	A	*	12/1979	Hanses	.....	30/151
4,726,498	A	*	2/1988	Esposito	.....	224/232
D321,548	S	*	11/1991	Collins	.....	D22/118
5,092,046	A	*	3/1992	Collins	.....	30/162
5,146,684	A	*	9/1992	Hagler	.....	30/162
5,163,592	A	*	11/1992	Newton et al.	.....	224/232
5,315,761	A	*	5/1994	Norton et al.	.....	30/162
D363,336	S	*	10/1995	Luchak	.....	D22/118

D368,951	S	*	4/1996	Buck et al.	.....	D22/118
5,568,888	A	*	10/1996	Seber	.....	224/232
5,647,130	A	*	7/1997	Collins	.....	30/151
D448,442	S	*	9/2001	Cheng	.....	D22/118

\* cited by examiner

*Primary Examiner*—Catherine R. Oliver

(74) *Attorney, Agent, or Firm*—Donald W. Margolis

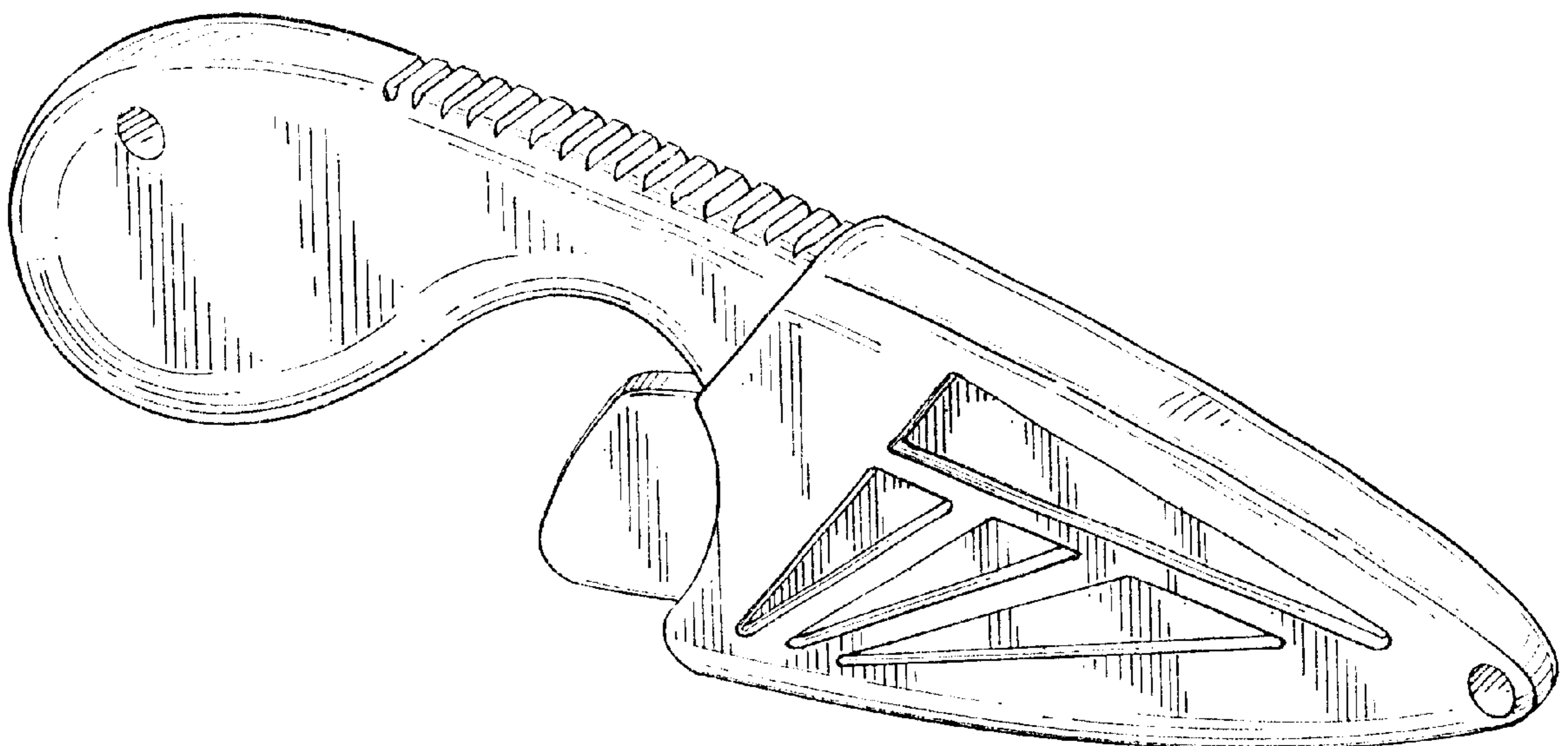
(57) **CLAIM**

The ornamental design for a combined sheath with a locking mechanism and knife, as shown and described.

**DESCRIPTION**

FIG. 1 is a front elevational view of a combined sheath with a locking mechanism and knife showing my new design; FIG. 2 is a rear elevational view thereof; FIG. 3 is a bottom plan view thereof; FIG. 4 is a top plan view thereof; FIG. 5 is a right side elevational view thereof; FIG. 6 is a left side view elevational thereof; FIG. 7 is an upper right side perspective view thereof; FIG. 8 is a front side elevational view of the knife alone, showing my new design, the rear side elevational view being a mirror image thereof; FIG. 9 is a right side elevational view of the knife of FIG. 8; and, FIG. 10 is a bottom plan view of a combined sheath with a locking mechanism and knife, similar to FIG. 3, but showing the knife partially inserted into the sheath.

**1 Claim, 2 Drawing Sheets**



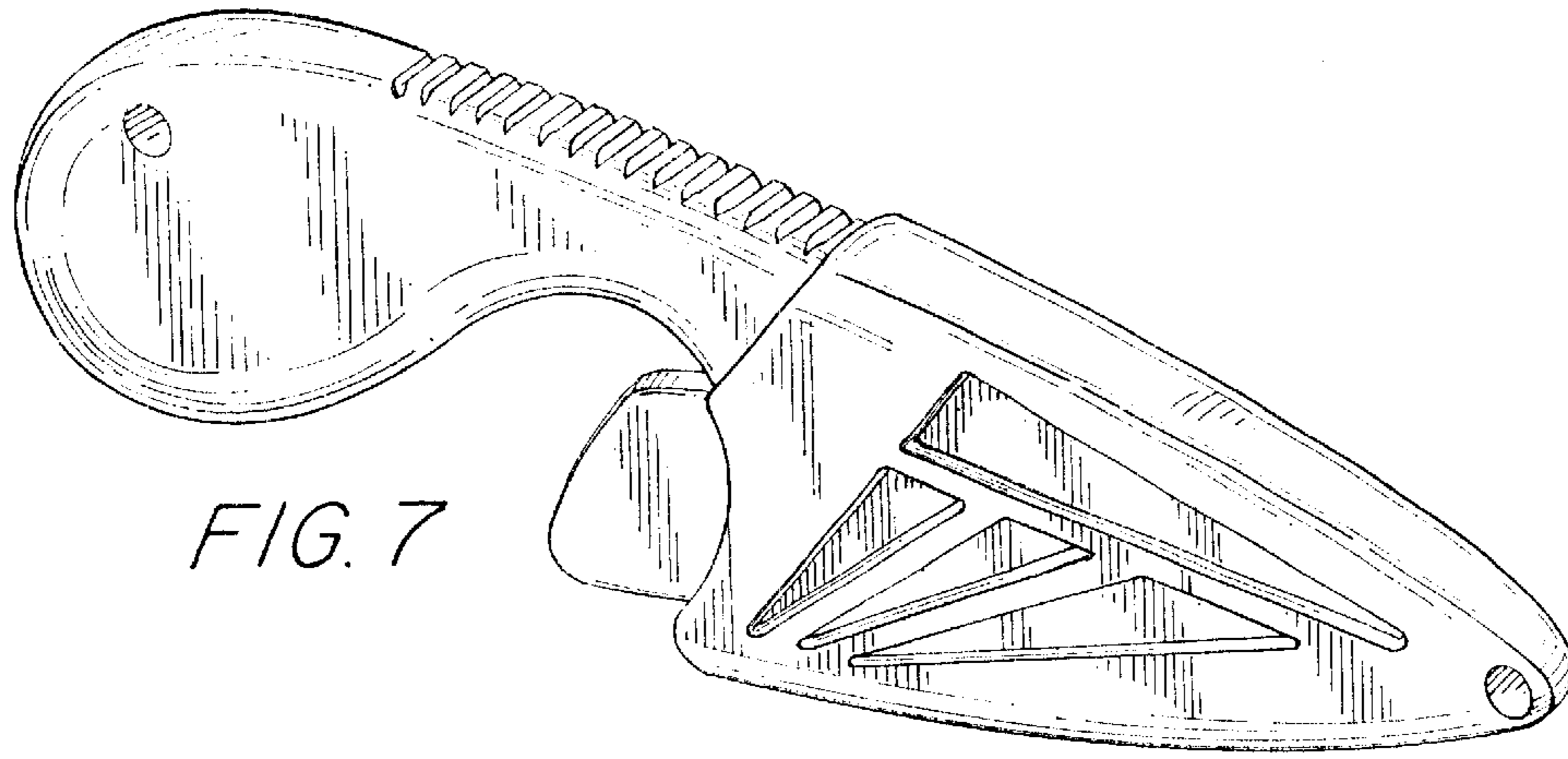


FIG. 7

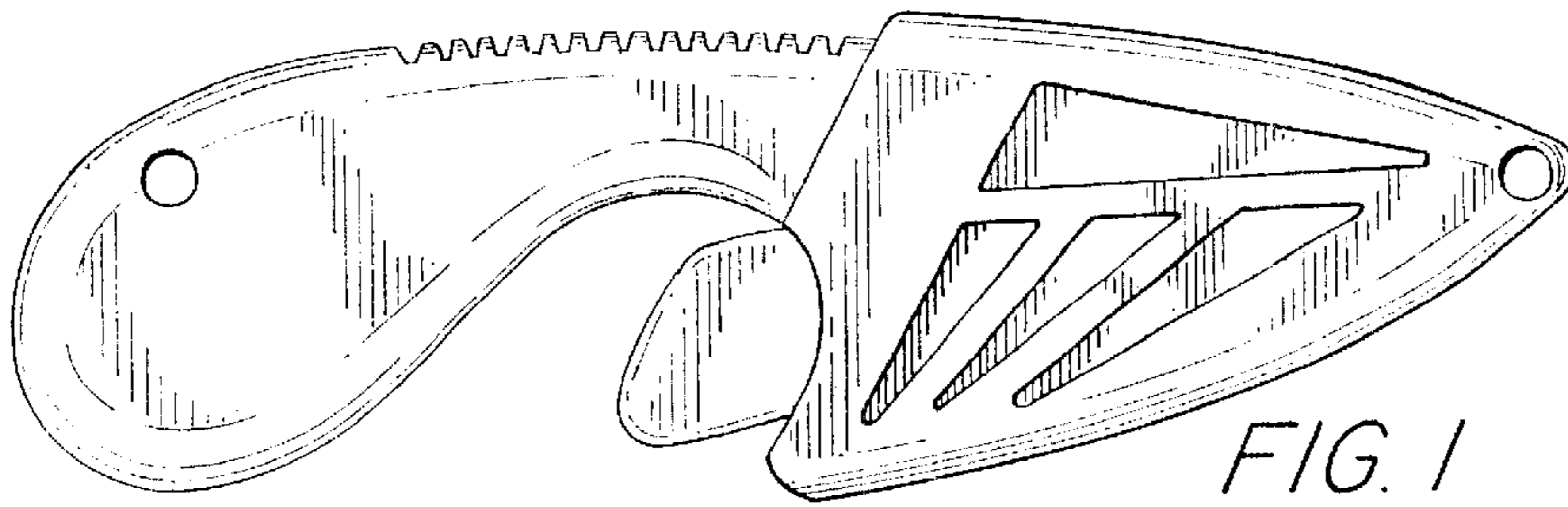


FIG. 1

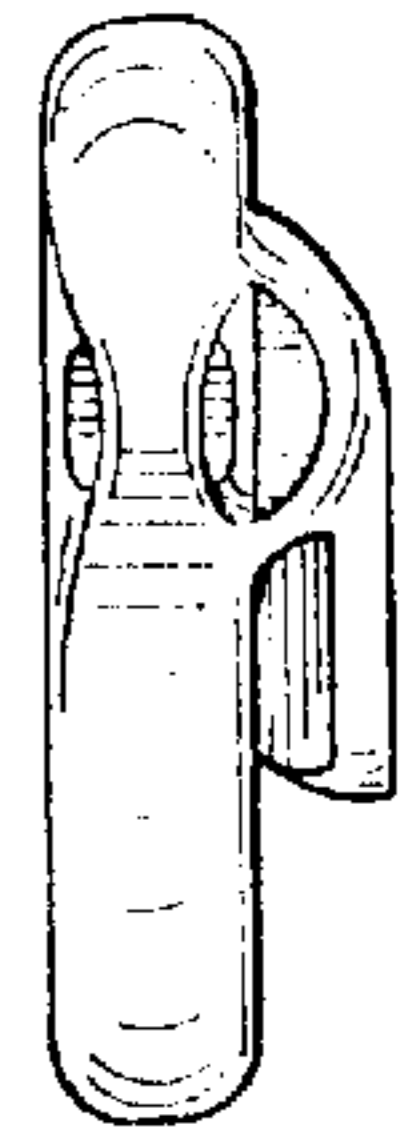


FIG. 5

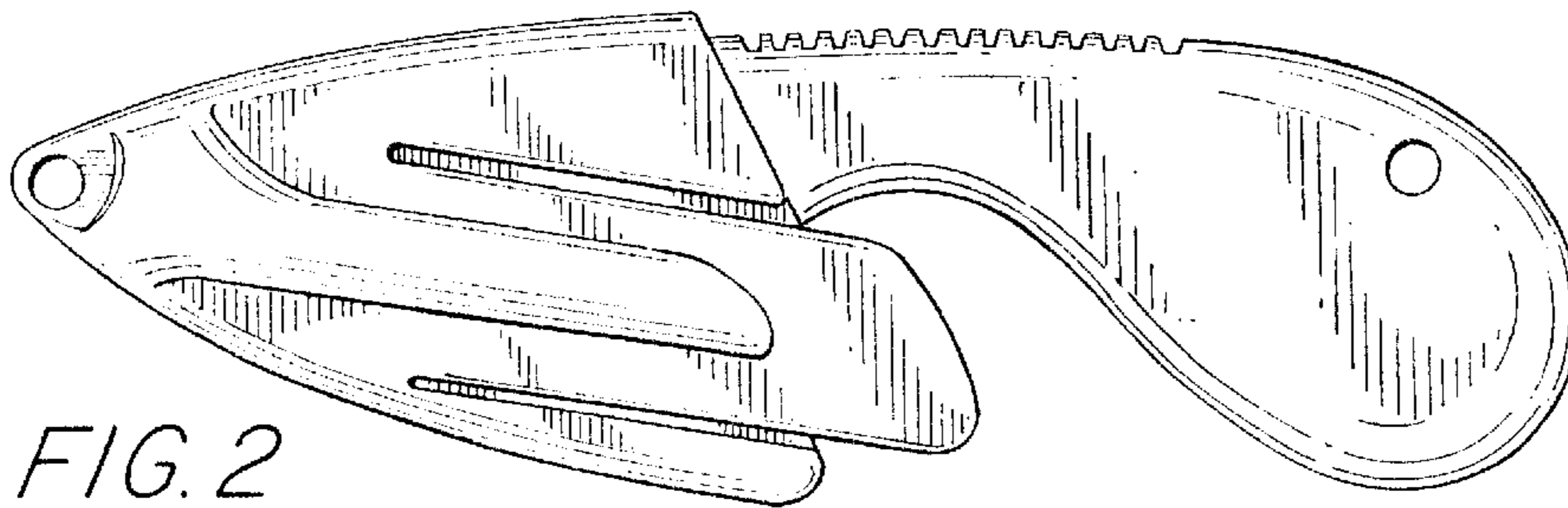


FIG. 2

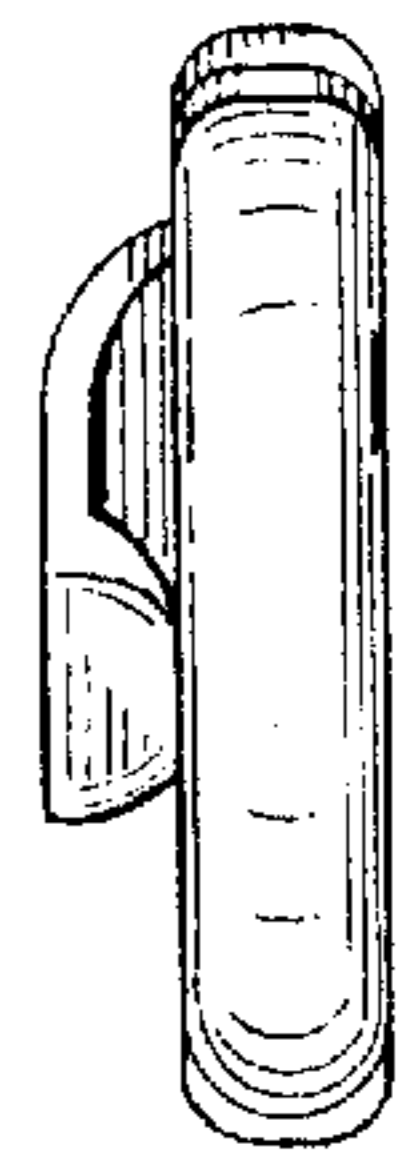


FIG. 6

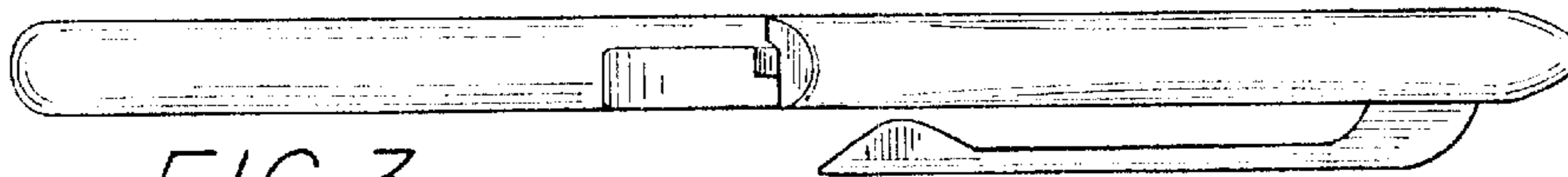


FIG. 3

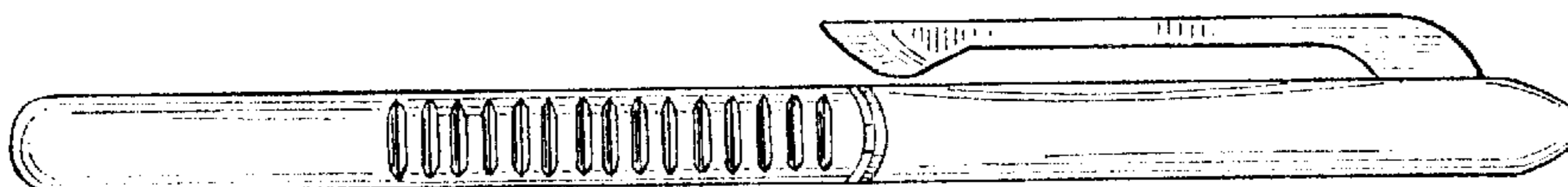


FIG. 4

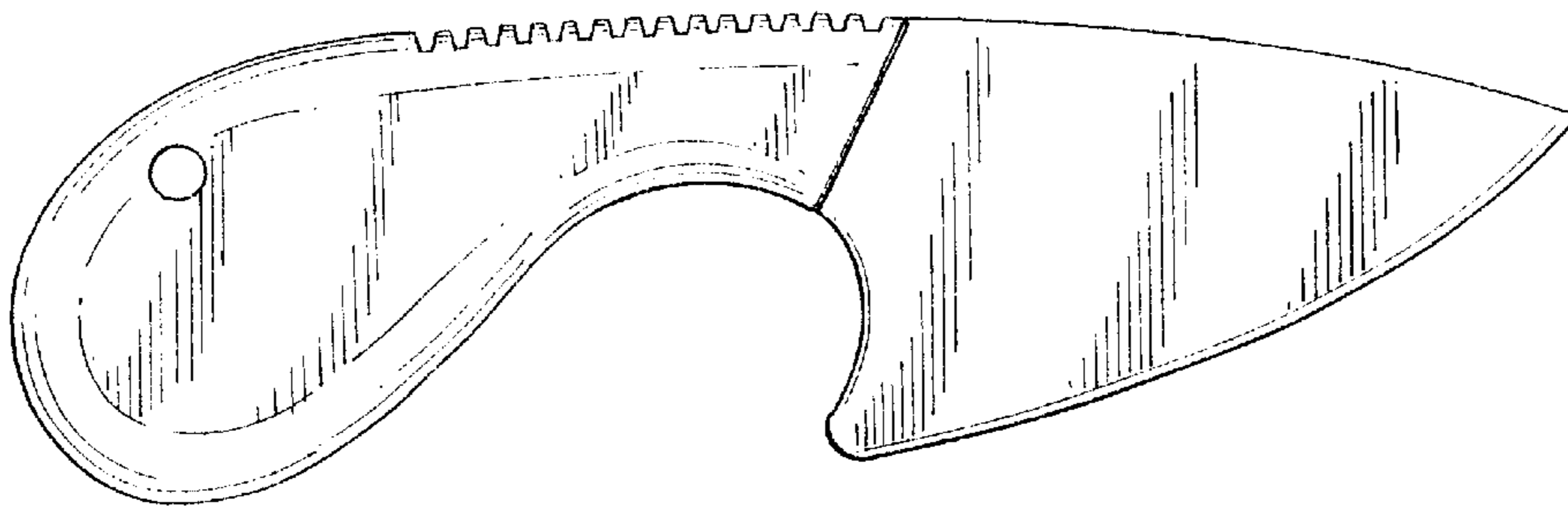


FIG. 8



FIG. 9

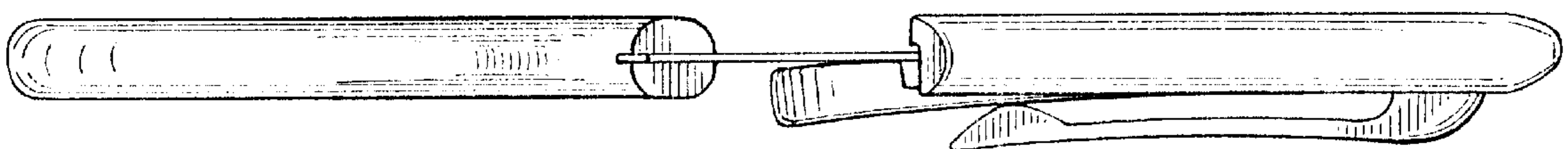


FIG. 10