



US00D465534S

(12) **United States Design Patent**
Lennon et al.

(10) **Patent No.:** **US D465,534 S**

(45) **Date of Patent:** **** Nov. 12, 2002**

(54) **PARADOXICAL STRUCTURAL PUZZLE**

(76) Inventors: **Matthew F. Lennon**, 3873 Evelyn Dr.,
Wilmington, DE (US) 19808; **Patricia
A. Lennon**, 3873 Evelyn Dr.,
Wilmington, DE (US) 19808

(**) Term: **14 Years**

(21) Appl. No.: **29/149,252**

(22) Filed: **Oct. 5, 2001**

(51) **LOC (7) Cl.** **21-01**

(52) **U.S. Cl.** **D21/479**

(58) **Field of Search** D21/478, 479;
273/153 R, 160, 156, 157 R

(56) **References Cited**

U.S. PATENT DOCUMENTS

D230,874 S	*	3/1974	Baynes	D21/479
3,813,841 A	*	6/1974	Tsurumi	273/160
D302,709 S	*	8/1989	Thompson	D21/478
D307,452 S	*	4/1990	Laubscher	D21/479
D375,329 S	*	11/1996	Lennon et al.	D21/479
D397,378 S	*	8/1998	Lennon et al.	D21/479

* cited by examiner

Primary Examiner—Dominic Simone

(74) *Attorney, Agent, or Firm*—RatnerPrestia; Kevin W. Goldstein

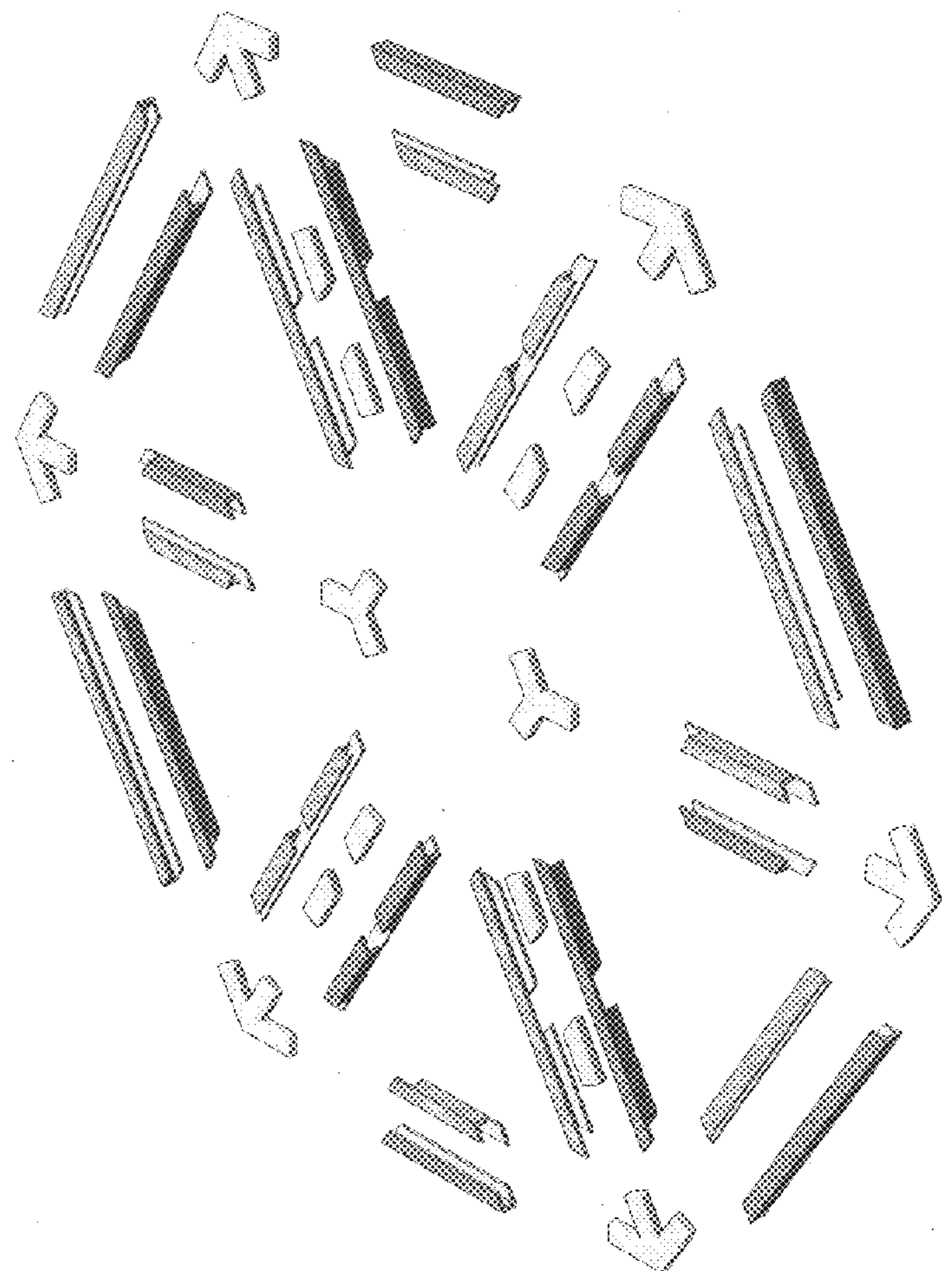
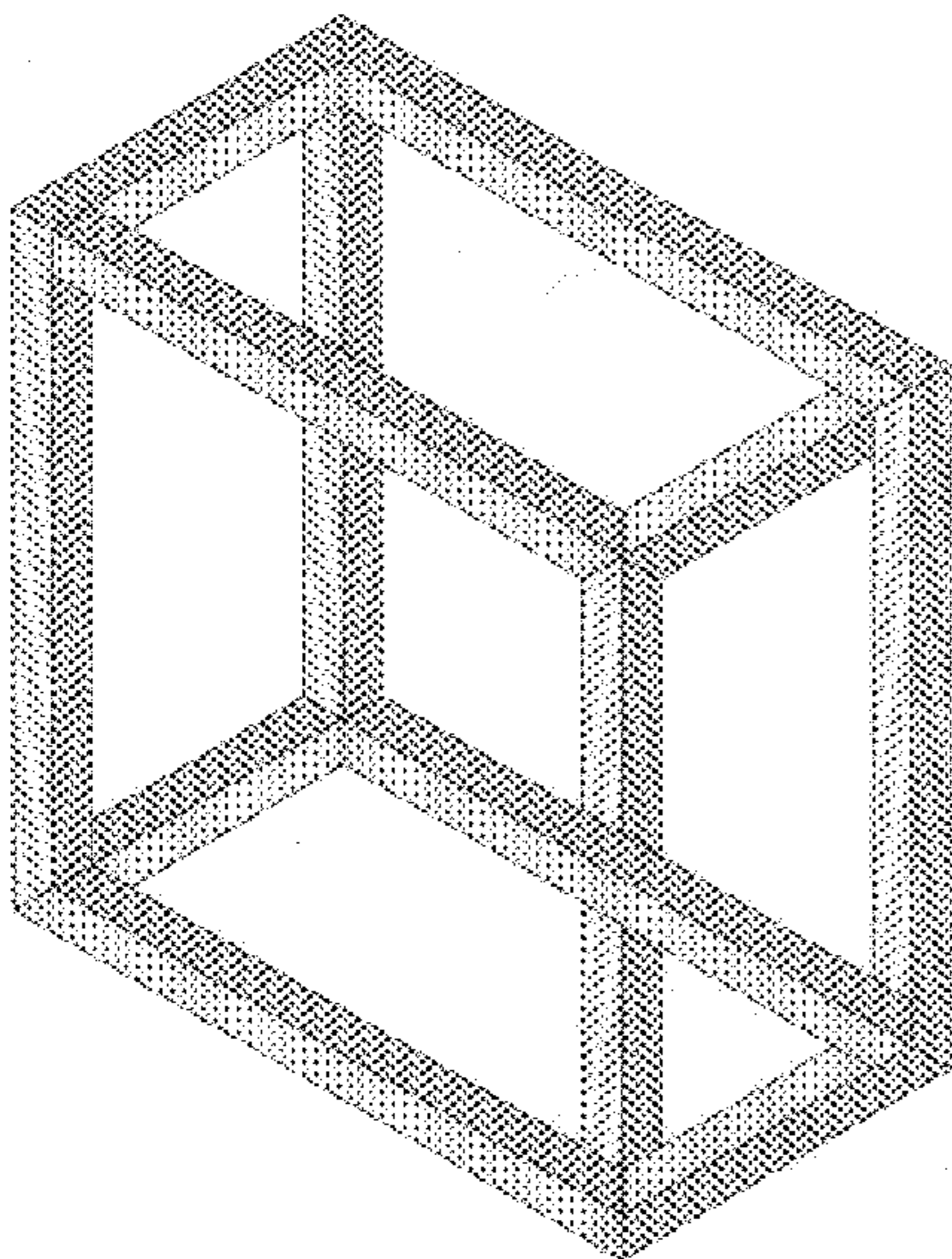
(57) **CLAIM**

The ornamental design for a paradoxical structural puzzle, as shown and described.

DESCRIPTION

FIG. 1 is a left side view of the paradoxical structural puzzle; FIG. 2 is a right side view of the paradoxical structural puzzle; FIG. 3 is a front view of the paradoxical structural puzzle; FIG. 4 is a top view of the paradoxical structural puzzle; FIG. 5 is a bottom view of the paradoxical structural puzzle; FIG. 6 is a back view of the paradoxical structural puzzle; FIG. 7 is a front perspective view of the paradoxical structural puzzle; FIG. 8 is a front perspective view of the paradoxical structural puzzle with certain puzzle elements removed; and, FIG. 9 is an exploded view of the paradoxical structural puzzle.

1 Claim, 5 Drawing Sheets



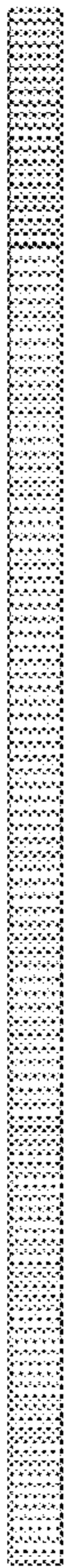


FIG. 1



FIG. 2

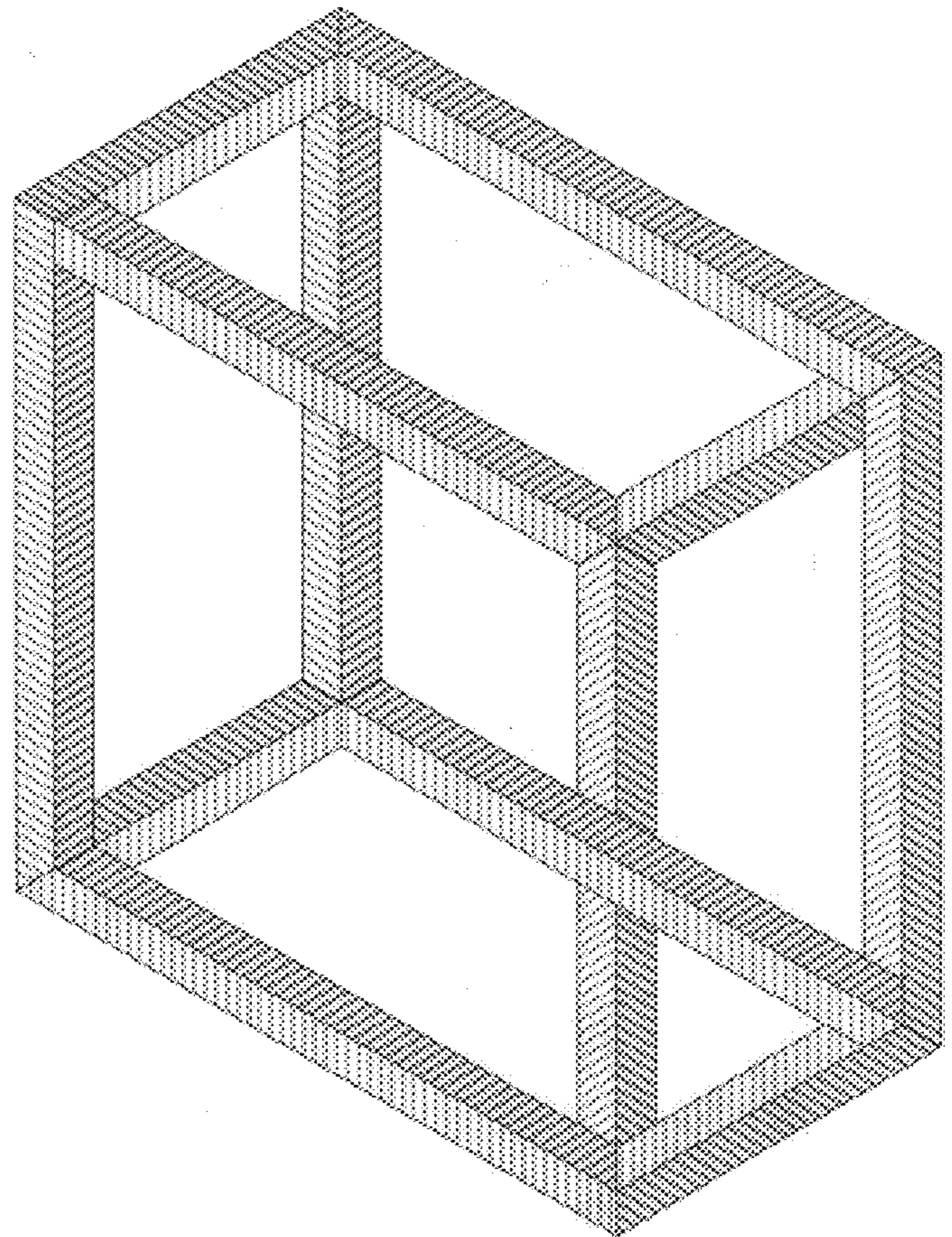


FIG. 3



FIG. 4



FIG. 5

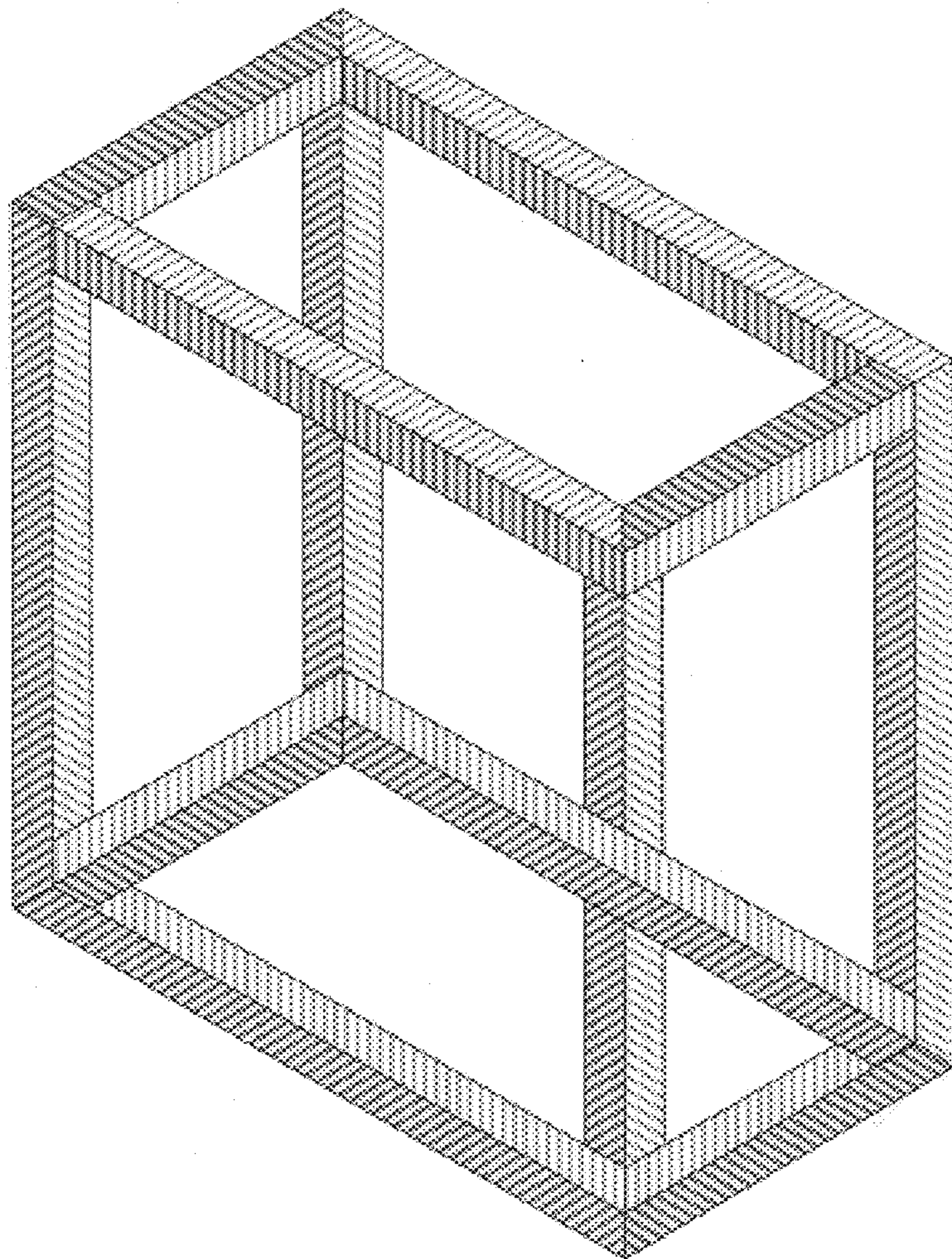


FIG. 6

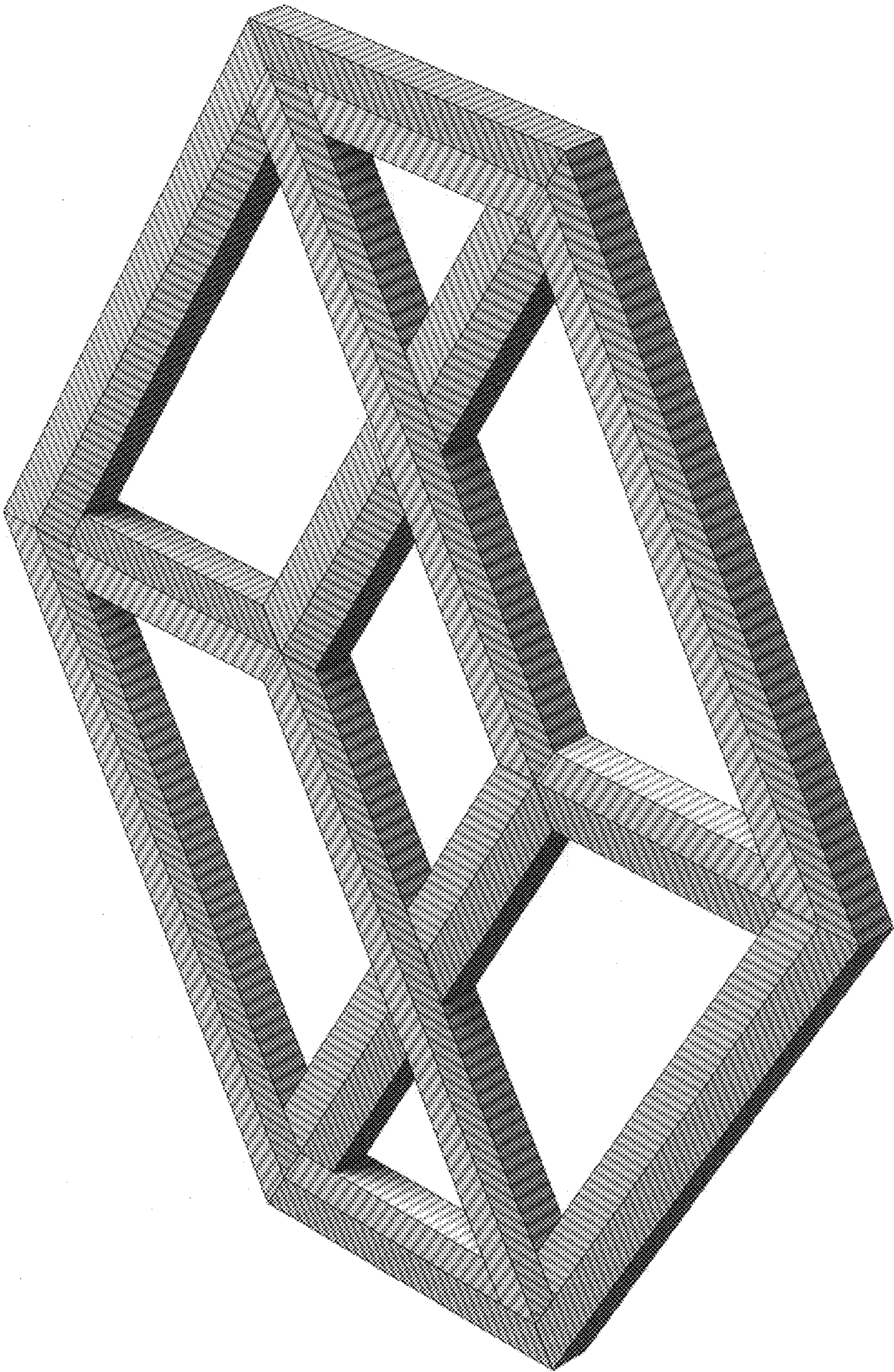


FIG. 7

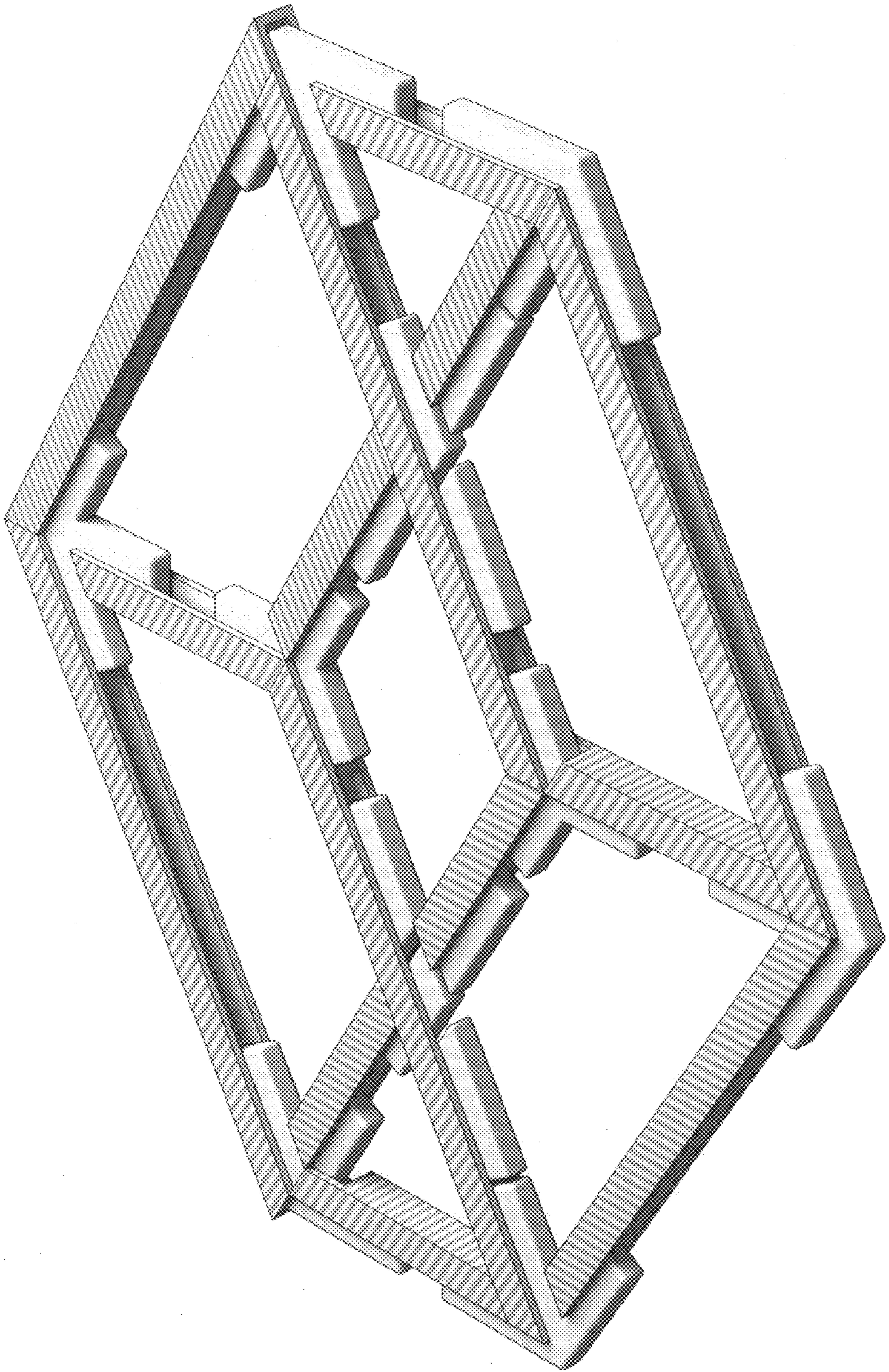


FIG. 8

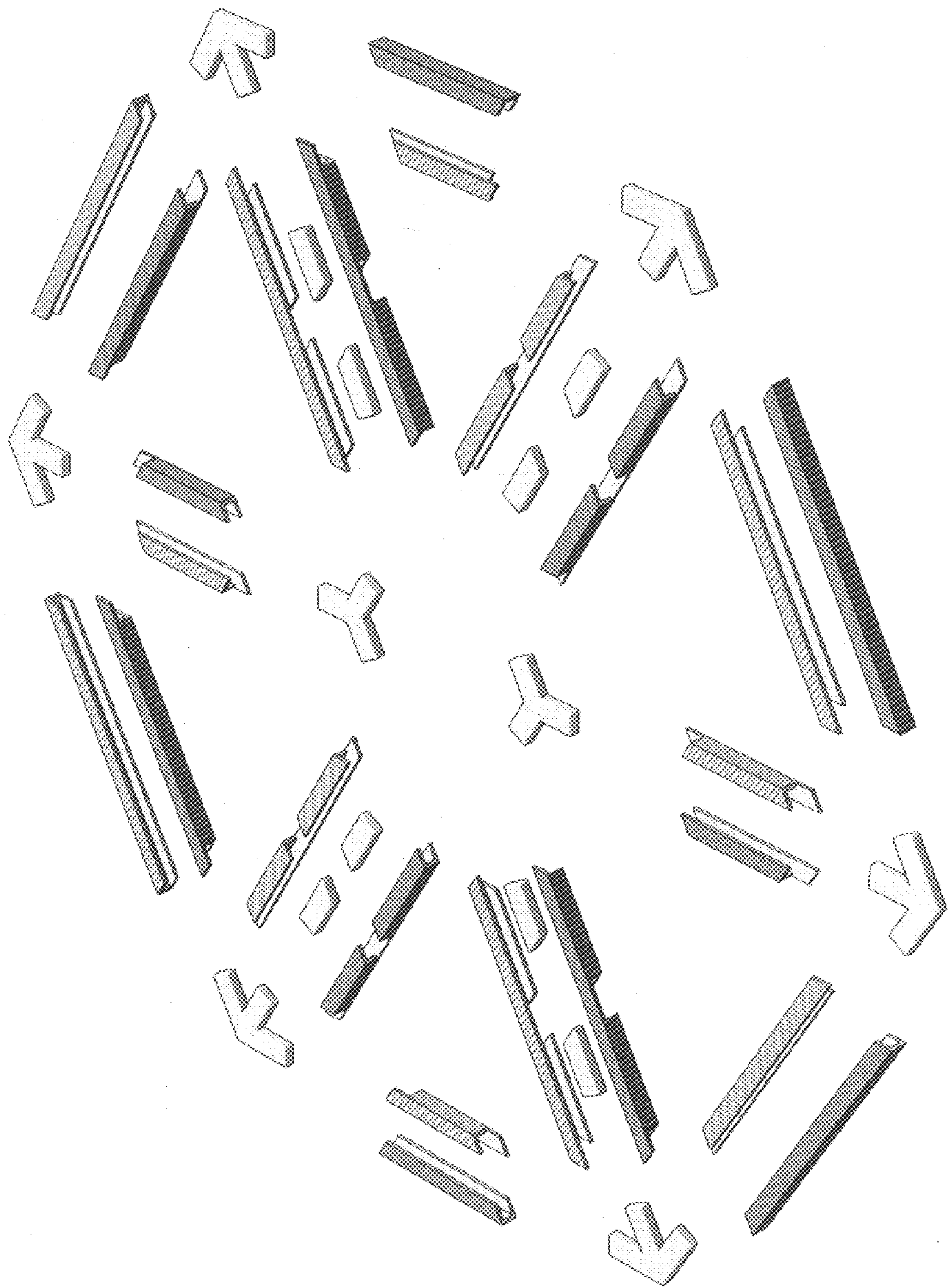


FIG. 9