



US00D465533S

(12) **United States Design Patent**
Li

(10) **Patent No.:** **US D465,533 S**

(45) **Date of Patent:** **** Nov. 12, 2002**

(54) **TOWING BASKET**

(76) **Inventor:** **Hsing Li**, 17 Yung Hsing Street, North District, Taichung (TW)

(**) **Term:** **14 Years**

(21) **Appl. No.:** **29/145,796**

(22) **Filed:** **Jul. 31, 2001**

(51) **LOC (7) Cl.** **21-01**

(52) **U.S. Cl.** **D21/427; D21/425; D21/542**

(58) **Field of Search** D21/419-435,
D21/533, 534-536, 542-547; D12/307,
20; D9/309; D3/271; 446/160, 71, 428,
447, 456, 465, 470; 280/1.13, 828, 87.021,
47.11

(56) **References Cited**

U.S. PATENT DOCUMENTS

D140,088 S	*	1/1945	Russell	D21/542
D178,556 S	*	8/1956	Swbado	D21/427
D219,668 S	*	1/1971	King	D12/307
D222,374 S	*	10/1971	Ichiro	D21/542
D359,618 S	*	6/1995	Chen	D9/309
5,474,483 A	*	12/1995	Sun	446/71
D368,745 S	*	4/1996	Wong	D21/542

D437,006 S * 1/2001 Pardi D21/425
D455,463 S * 4/2002 Martin D21/425

* cited by examiner

Primary Examiner—Raphael Barkai

(74) *Attorney, Agent, or Firm*—Rabin & Berdo, P.C.

(57) **CLAIM**

The ornamental design for a towing basket, as shown and described.

DESCRIPTION

FIG. 1. is a front elevational view of a towing basket showing my new design;

FIG. 2. is a rear elevational view thereof;

FIG. 3. is a left side elevational view thereof;

FIG. 4. is a right side elevational view thereof;

FIG. 5. is a top plan view thereof;

FIG. 6. is a bottom plan view thereof;

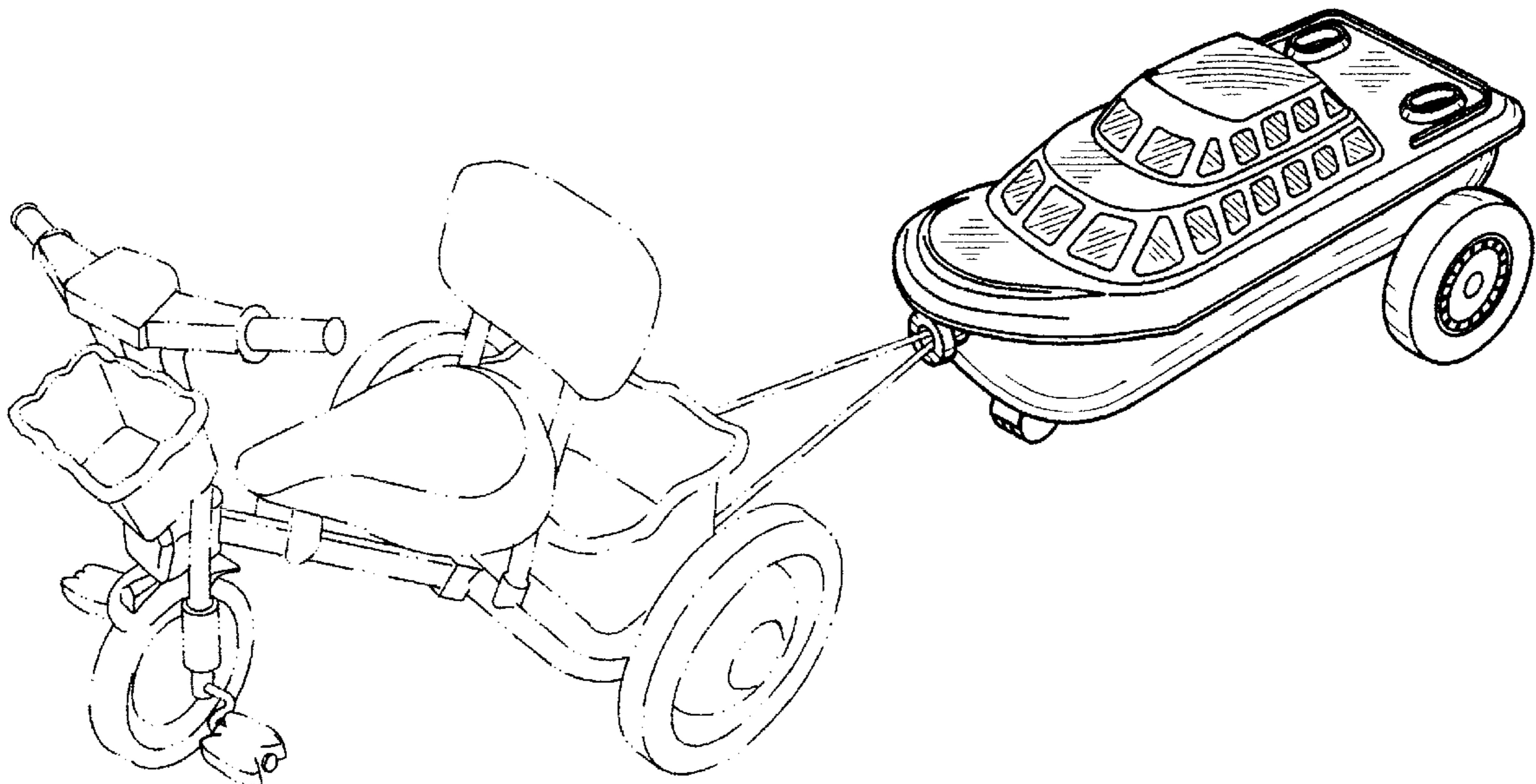
FIG. 7. is a perspective view thereof.

FIG. 8. is a schematic view thereof at work; and,

FIG. 9. is another schematic view thereof at work.

The broken lines shown in FIGS. 8 and 9 are for illustrative purposes only and form no part of the claimed design.

1 Claim, 6 Drawing Sheets



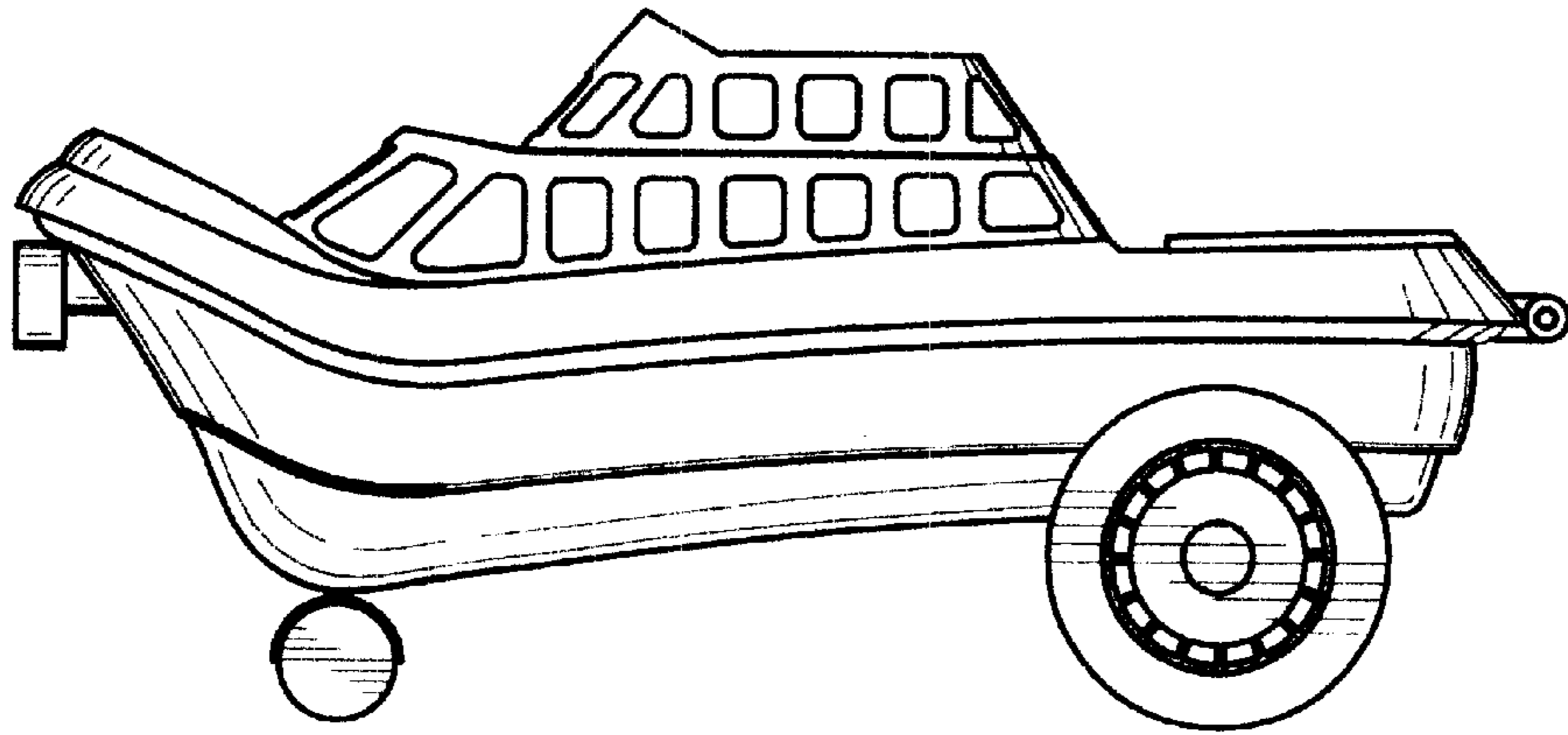


FIG.1

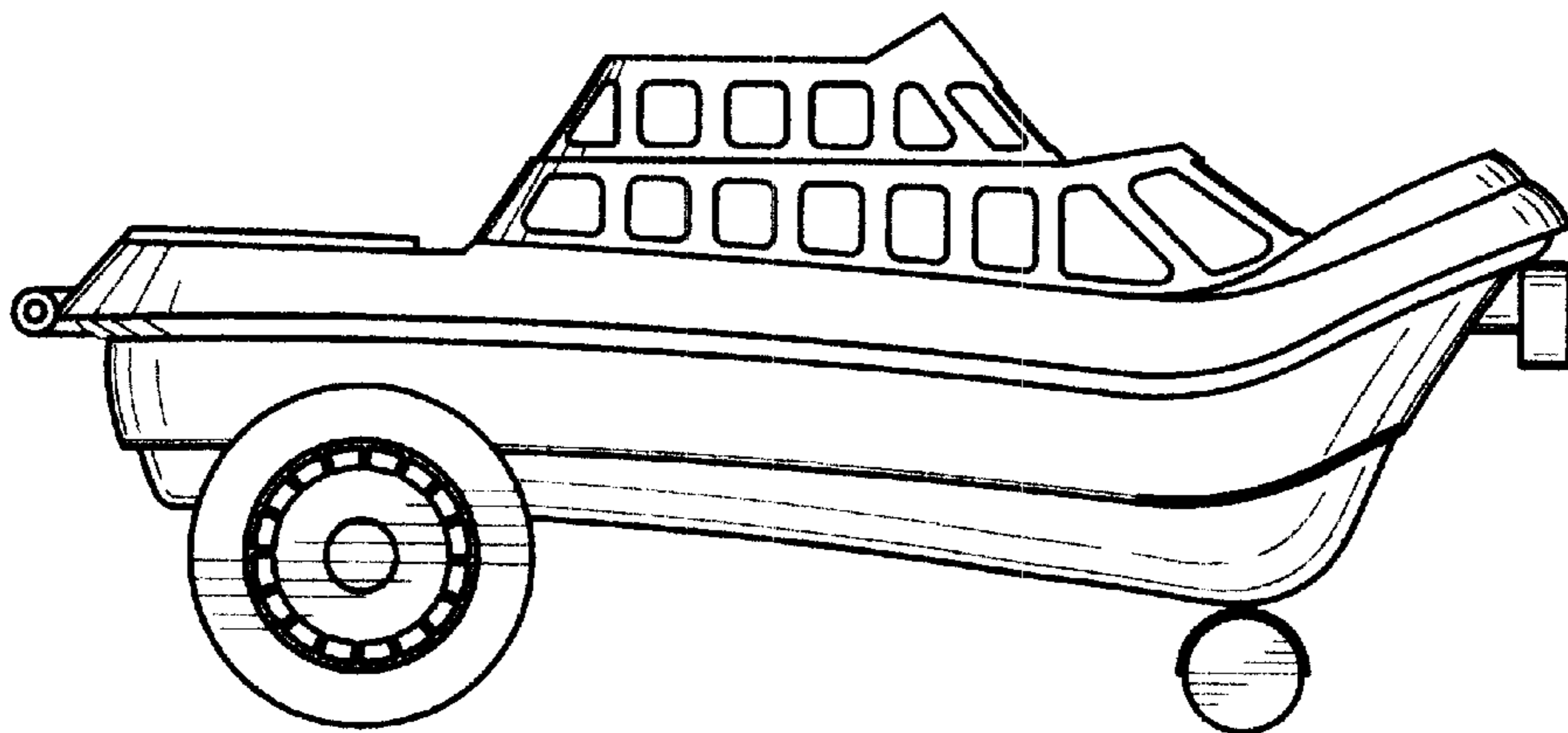


FIG.2

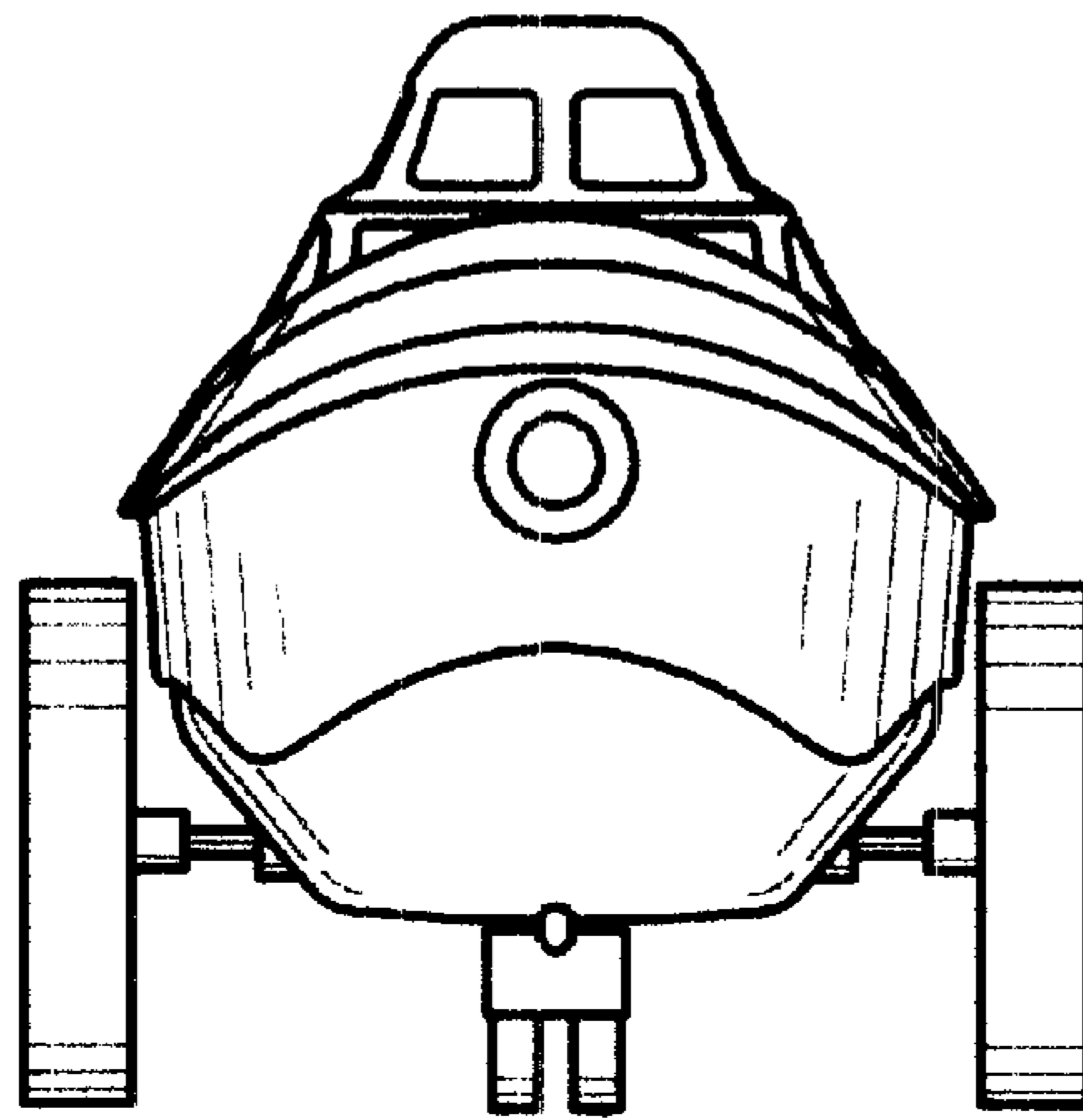


FIG.3

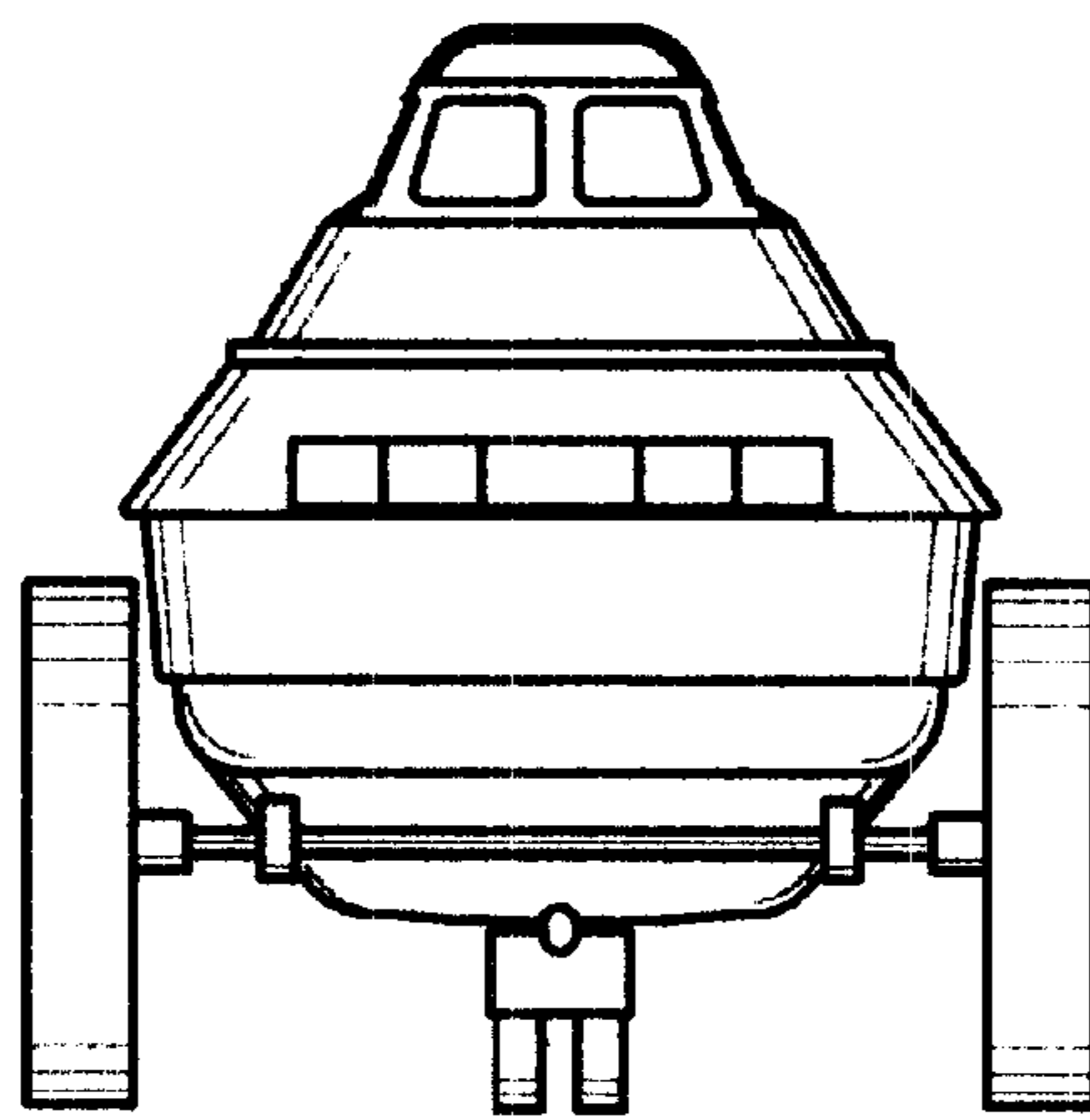


FIG.4

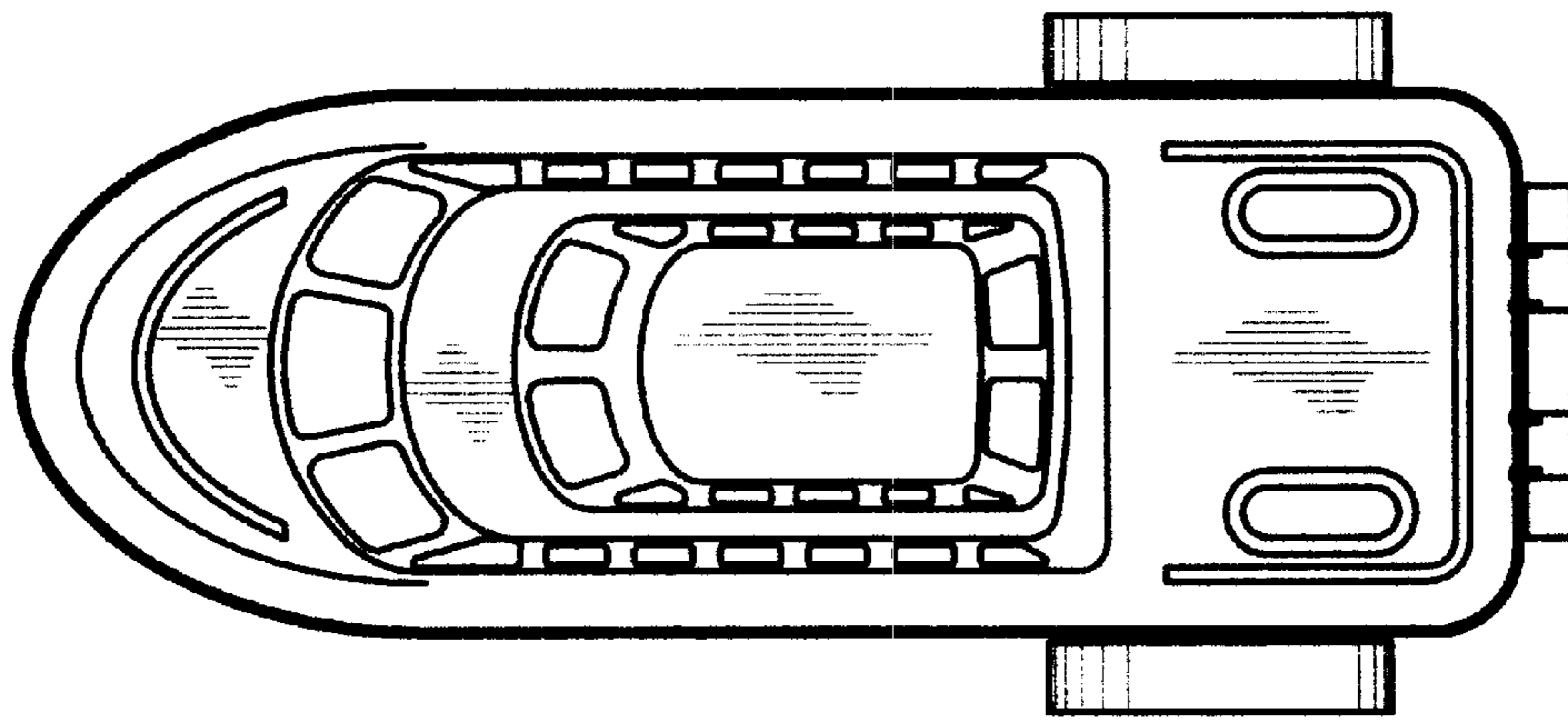


FIG.5

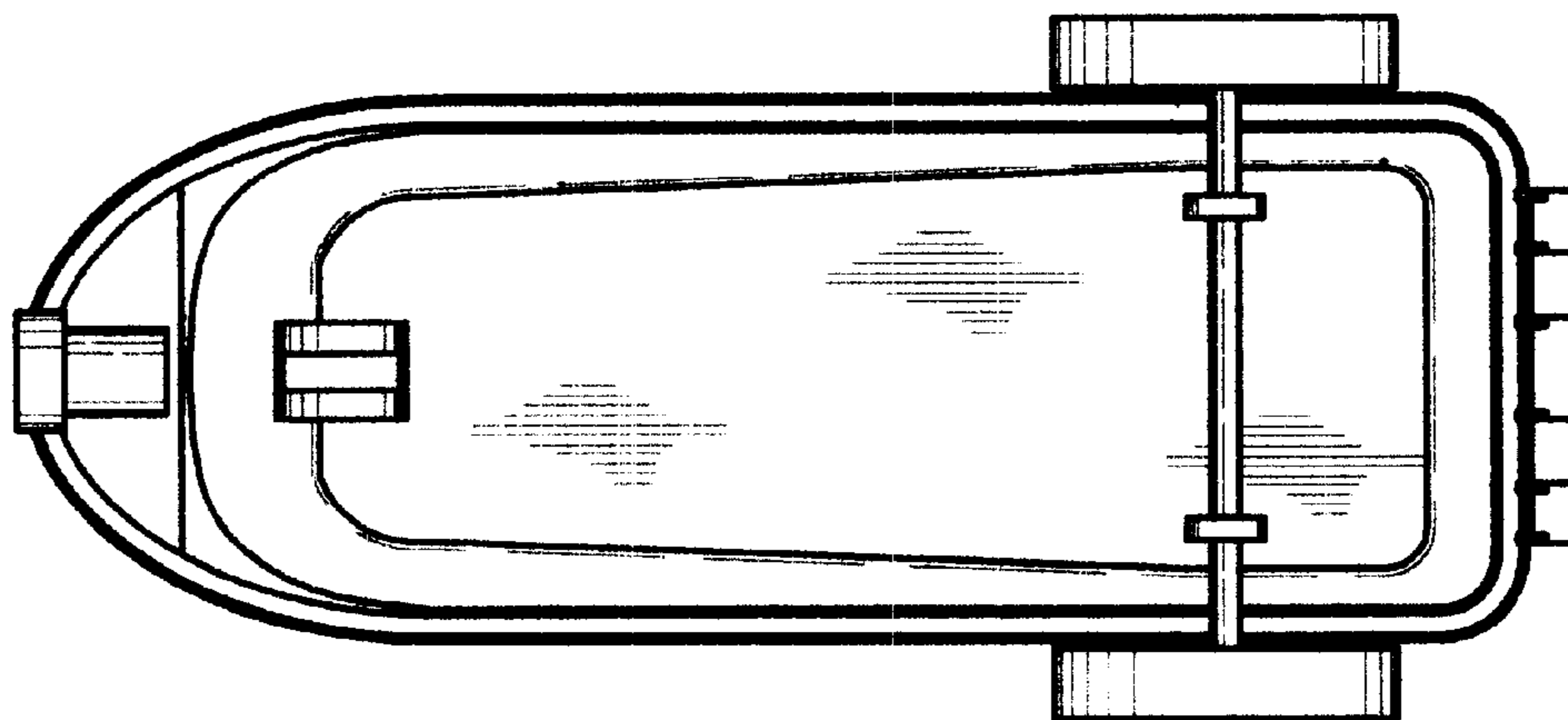


FIG.6

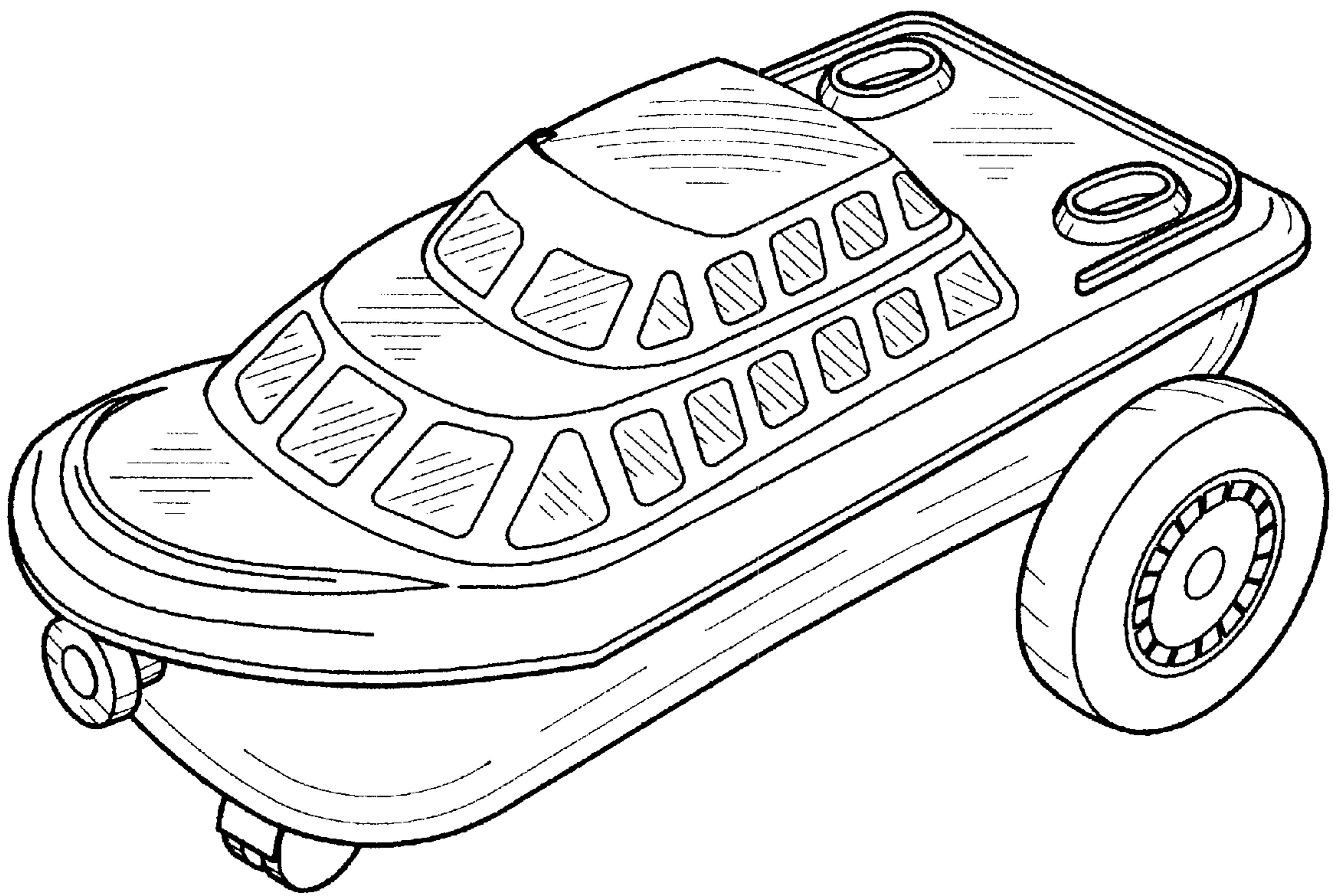


FIG. 7

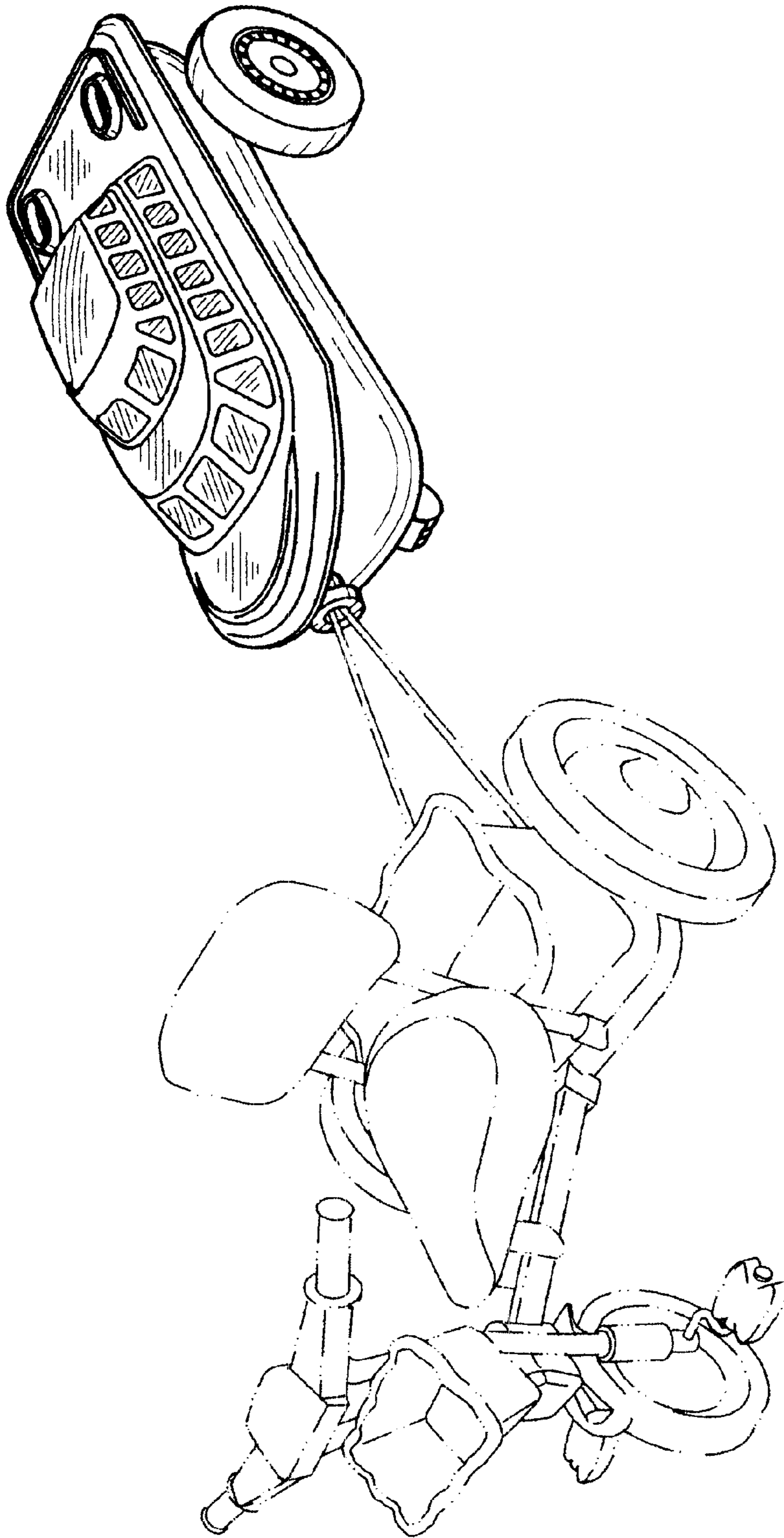


FIG. 8

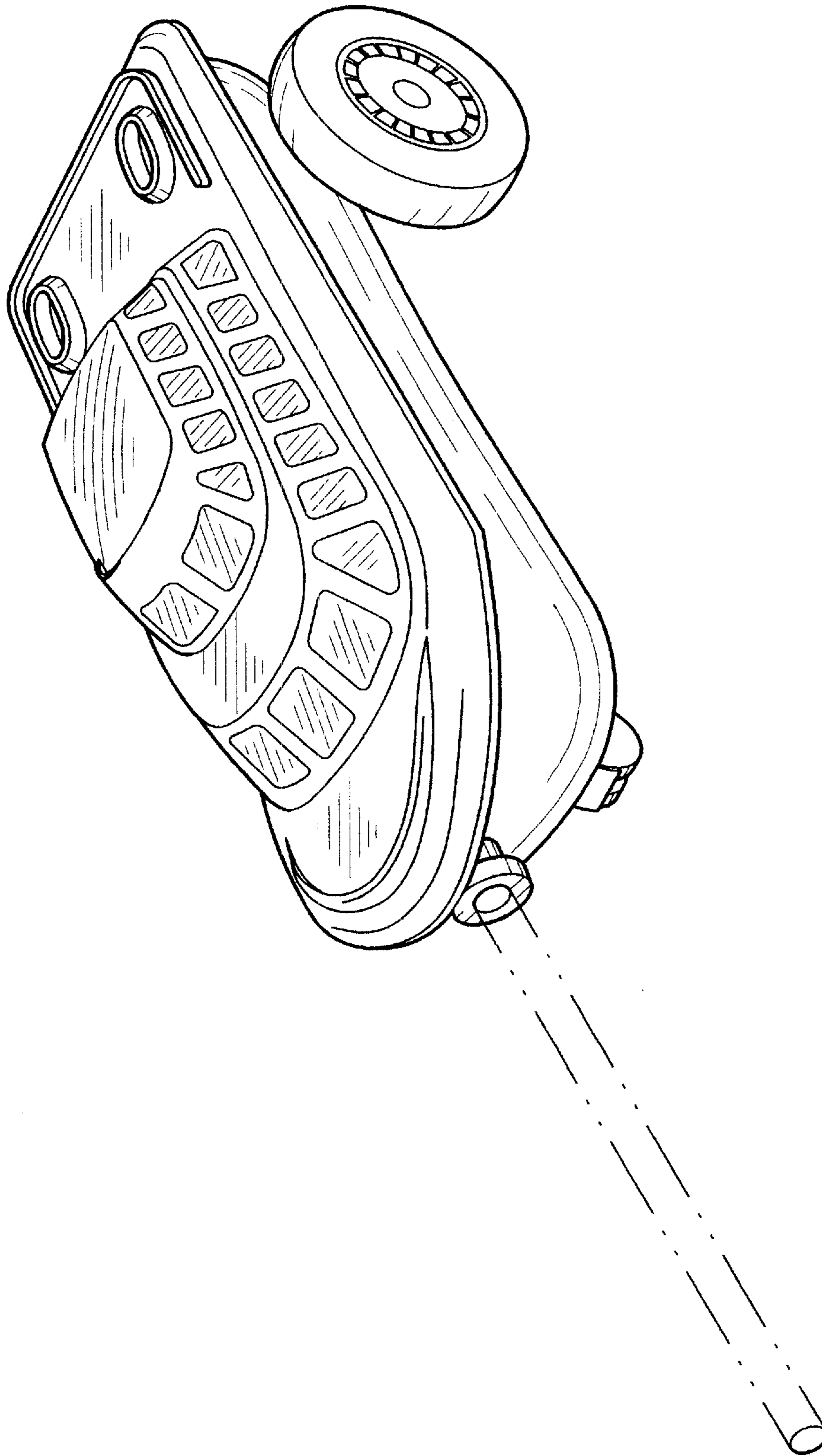


FIG. 9