



US00D465529S

(12) **United States Design Patent**  
**Hummell**

(10) **Patent No.:** **US D465,529 S**

(45) **Date of Patent:** **\*\* Nov. 12, 2002**

(54) **SIGN**

(75) **Inventor:** **Michael L. Hummell**, Newport Beach, CA (US)

(73) **Assignee:** **KR Fund, Inc.**, Tustin, CA (US)

(\*\*) **Term:** **14 Years**

(21) **Appl. No.:** **29/145,867**

(22) **Filed:** **Jul. 31, 2001**

(51) **LOC (7) Cl.** ..... **20-02**

(52) **U.S. Cl.** ..... **D20/40**

(58) **Field of Search** ..... D6/314; D20/10,  
D20/40, 41, 43, 27, 99; 40/124.14, 124.19,  
610, 750

(56) **References Cited**

**U.S. PATENT DOCUMENTS**

2,833,070 A	*	5/1958	Goldman	.....	40/750
D267,416 S	*	12/1982	Liptak et al.	.....	D20/43
D279,201 S	*	6/1985	Shuman	.....	D20/43
D293,280 S	*	12/1987	Liptak	.....	D6/314
D336,928 S	*	6/1993	Sandy	.....	D20/10
D369,833 S	*	5/1996	Egan et al.	.....	D20/10
D396,251 S	*	7/1998	Mortensen	.....	D20/41
D401,279 S	*	11/1998	Thorp et al.	.....	D20/10

6,131,320 A	*	10/2000	Eberle et al.	.....	40/610
D435,270 S	*	12/2000	Healy	.....	D20/10
D452,712 S	*	1/2002	Kim	.....	D20/10

\* cited by examiner

*Primary Examiner*—Robert M. Spear

(74) *Attorney, Agent, or Firm*—Walter A. Hackler

(57) **CLAIM**

The ornamental design for a sign, as shown and described.

**DESCRIPTION**

FIG. 1 is an exploded perspective view of the present invention;

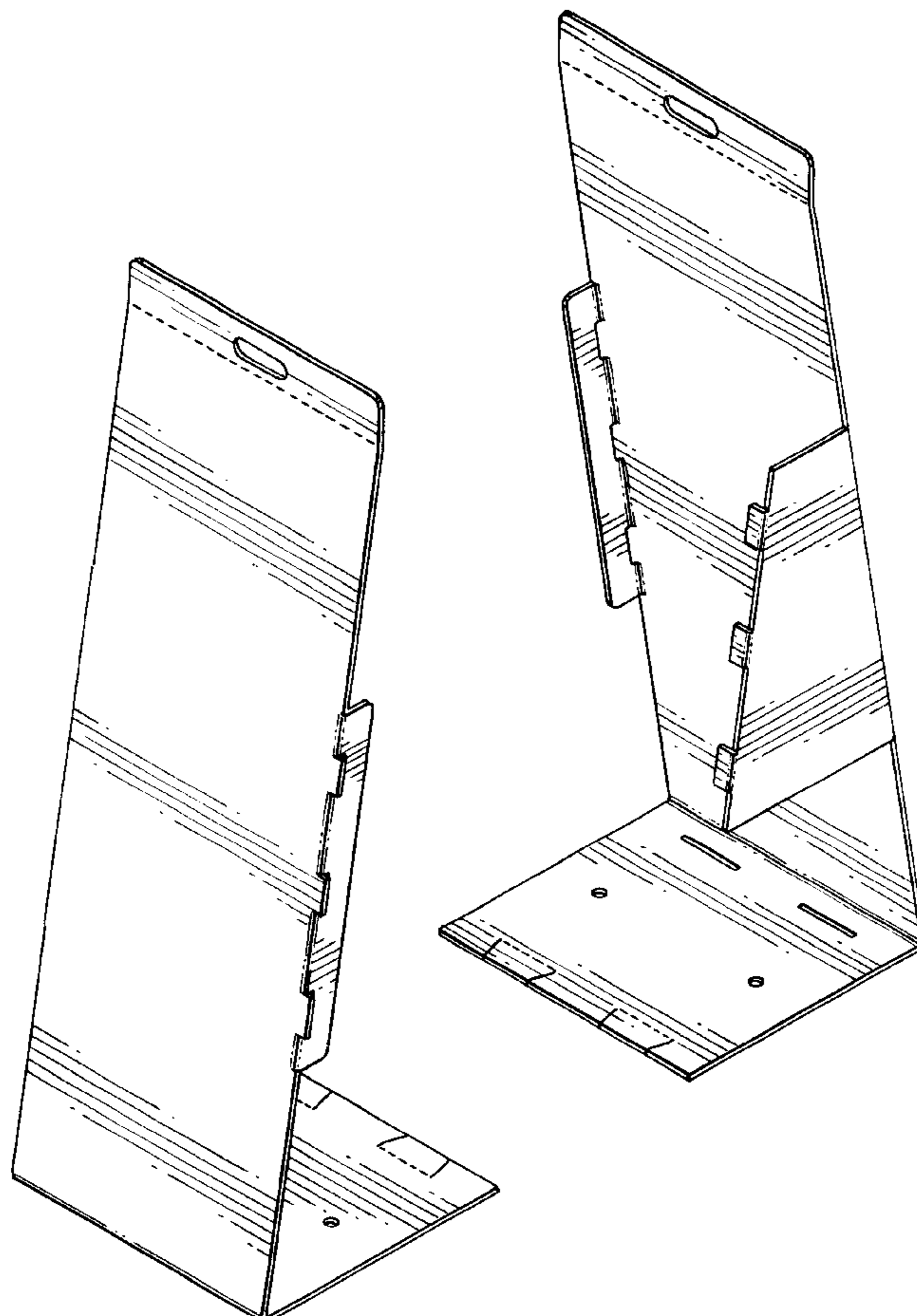
FIG. 2 is a front elevational view of the present invention; FIG. 3 is a right side elevational view of the present invention, the left side elevational view being a mirror image thereof;

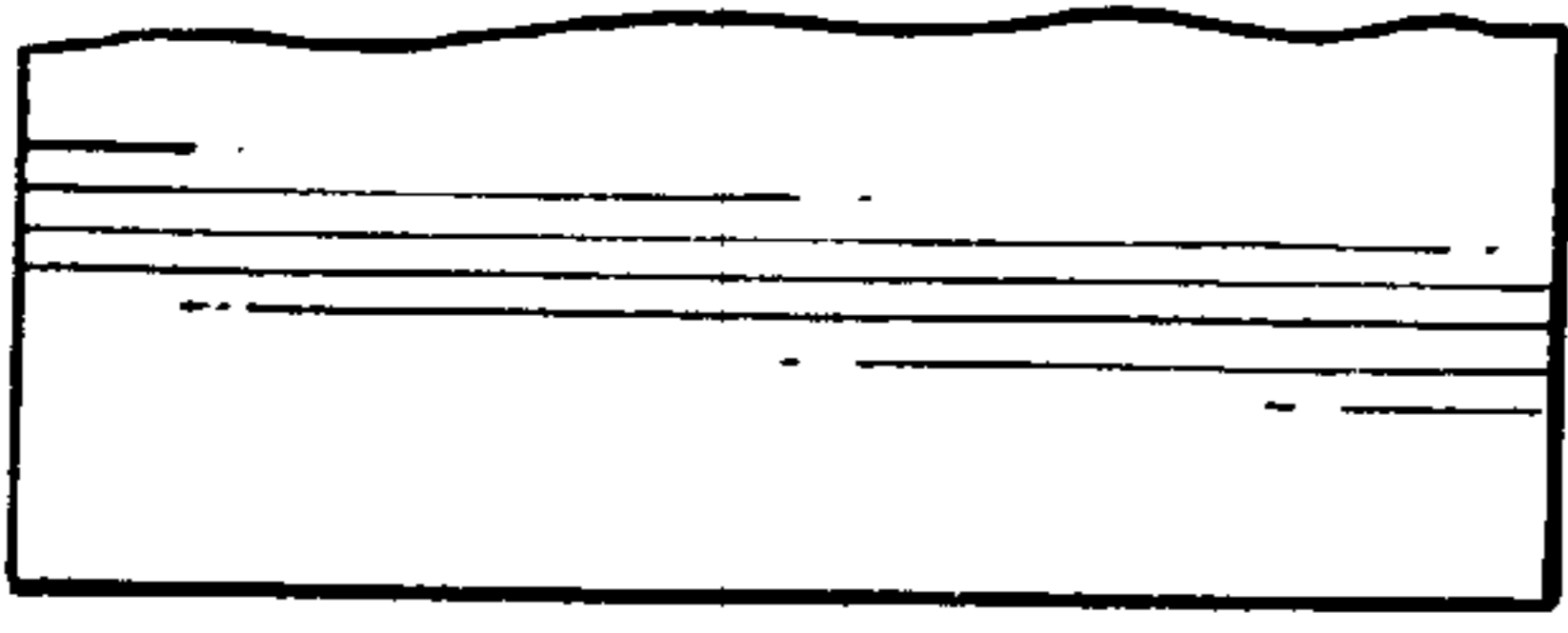
FIG. 4 is a top plan view of the present invention;

FIG. 5 is a bottom plan view of the present invention; and, FIG. 6 is a fragmentary rear view of the present invention showing the bottom portion, the top portion being identical to FIG. 2.

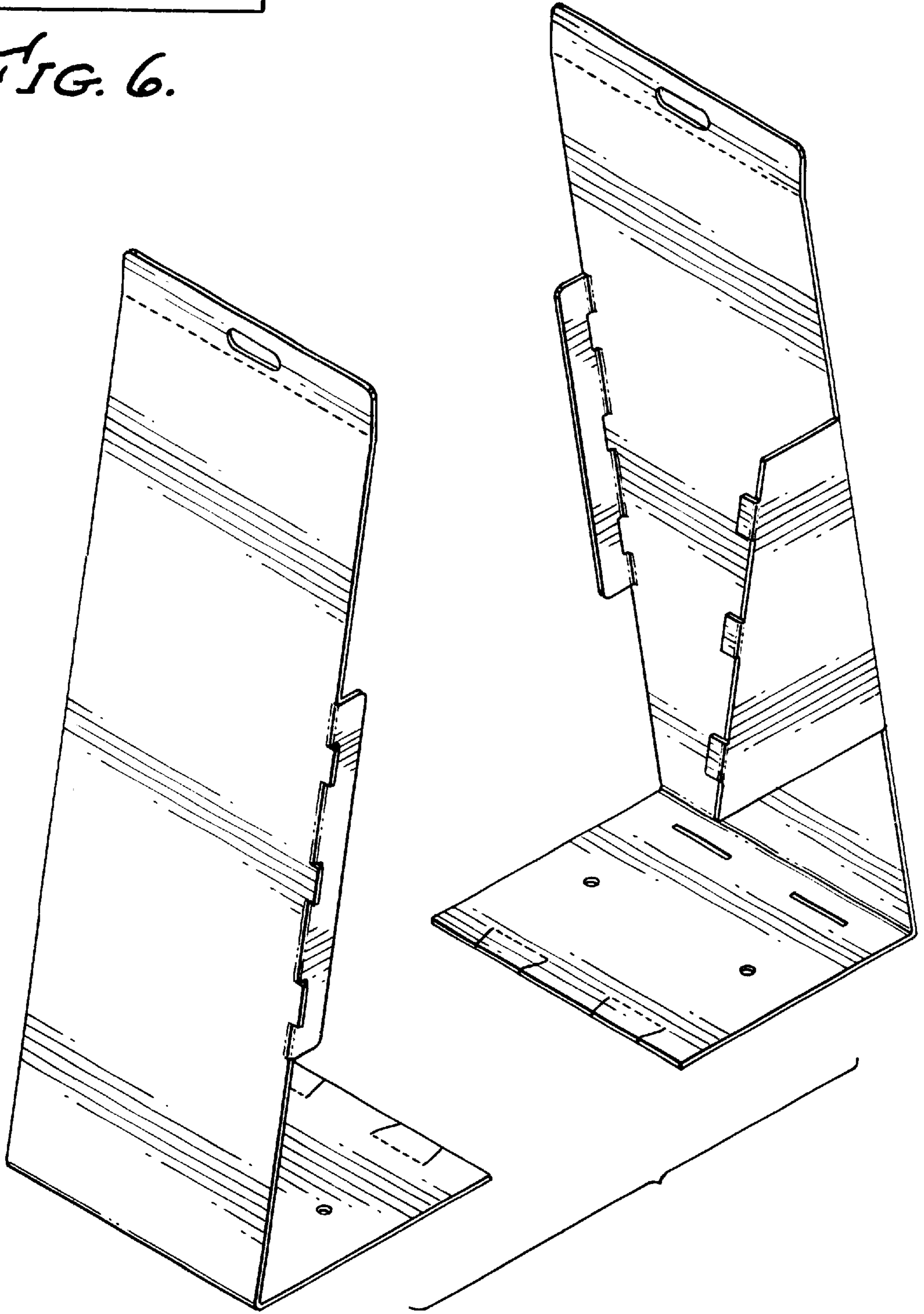
The broken lines in FIGS. 1, 2 & 5 represent fold lines and form part of the claimed design.

**1 Claim, 2 Drawing Sheets**





*FIG. 6.*



*FIG. 1.*

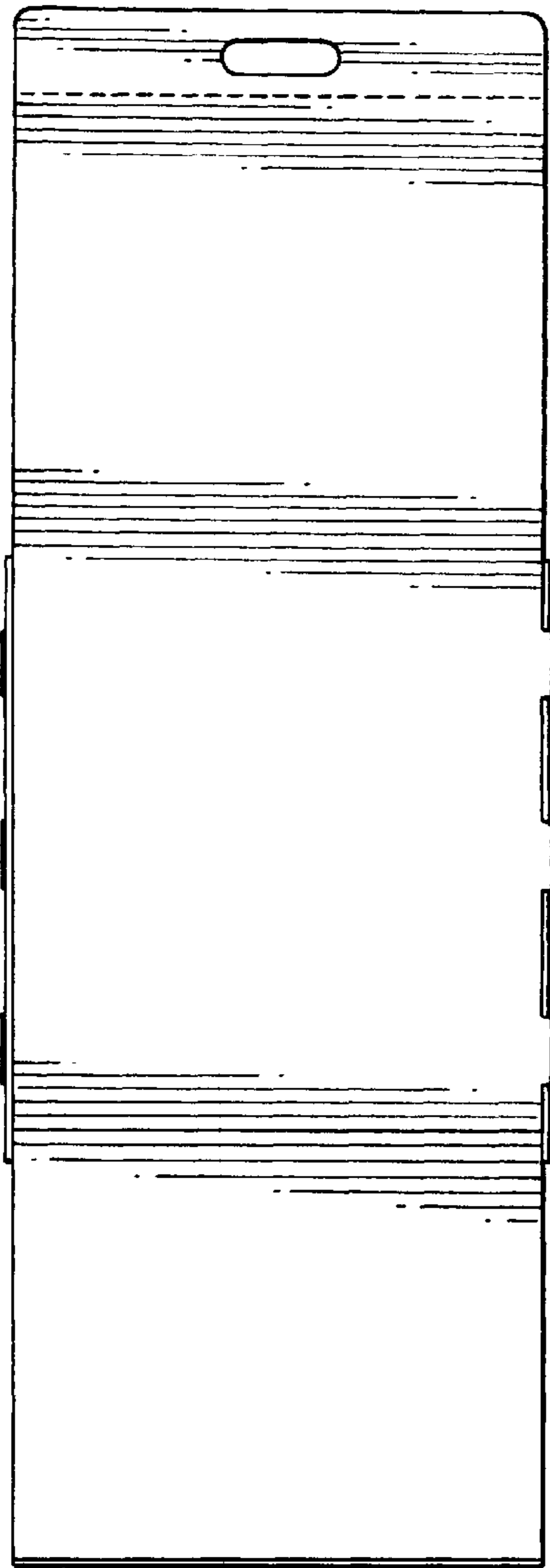


FIG. 2.

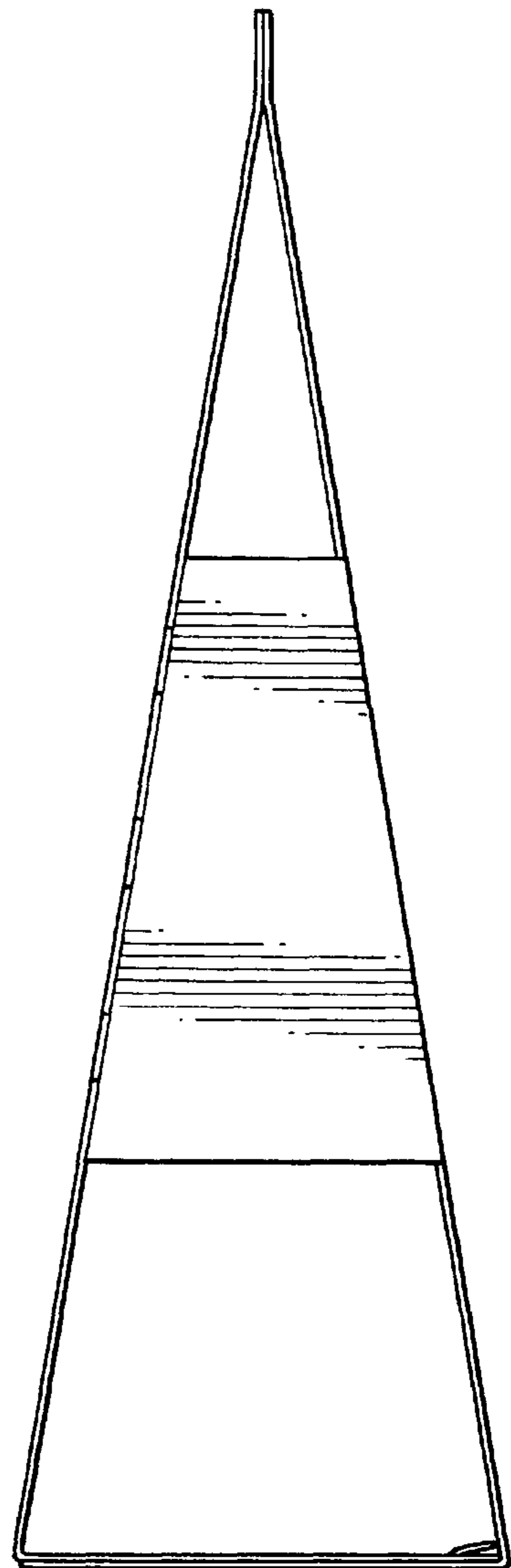


FIG. 3.

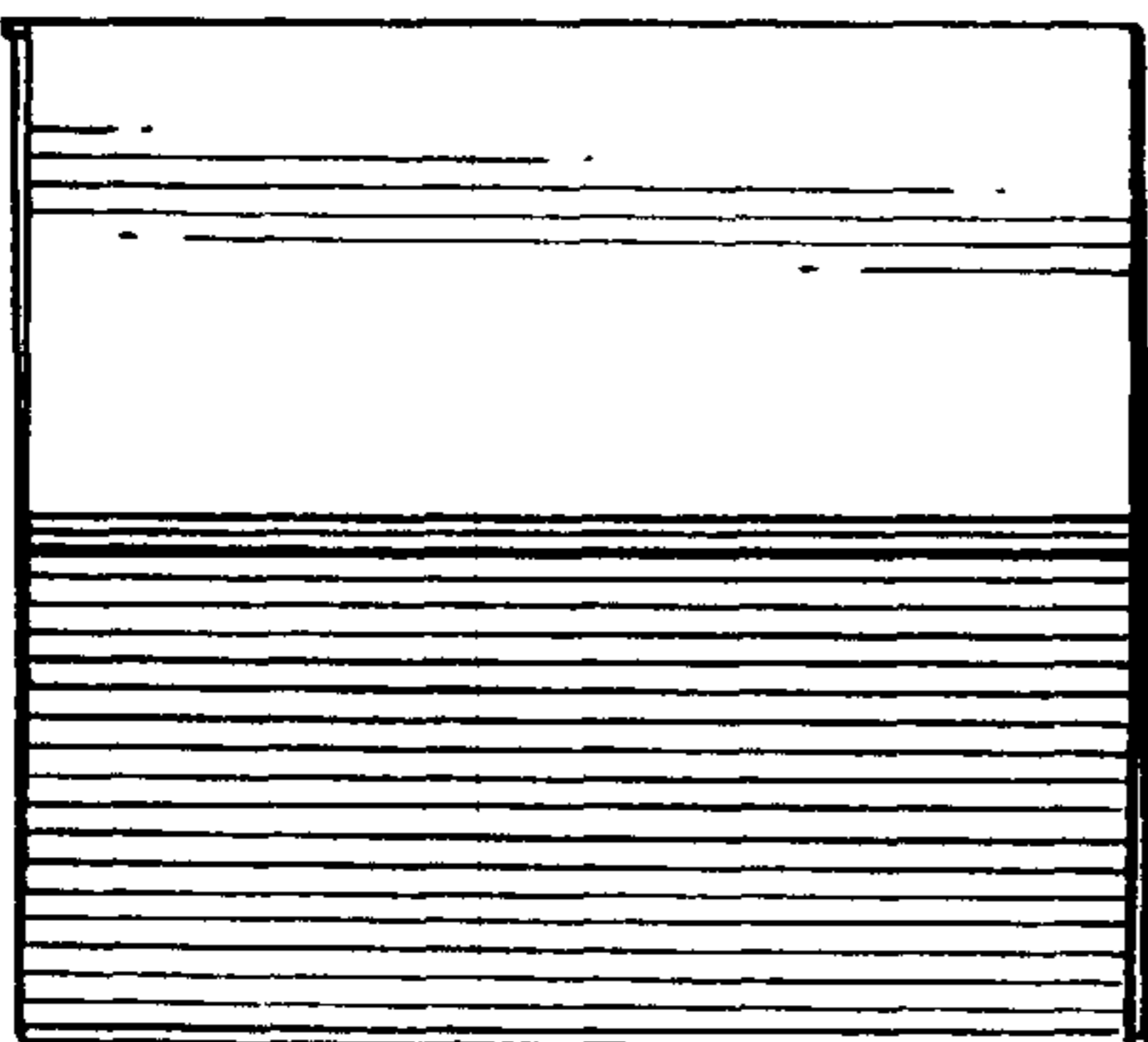


FIG. 4.

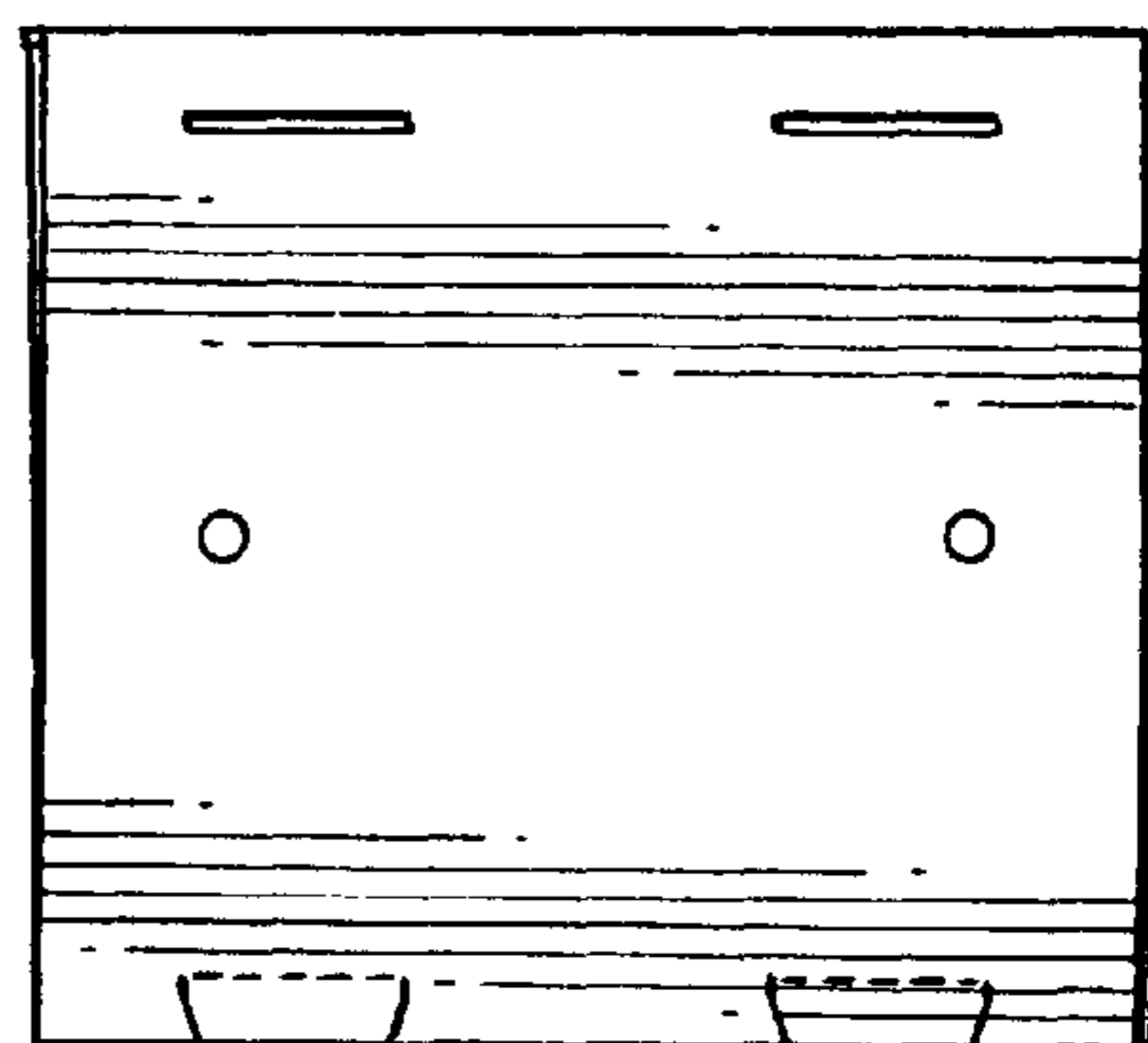


FIG. 5.