



US00D465526S

(12) **United States Design Patent**
Breche

(10) **Patent No.:** **US D465,526 S**

(45) **Date of Patent:** **** Nov. 12, 2002**

(54) **PAPER PUNCH**

(75) **Inventor:** **Catherine Breche, Meythet (FR)**

(73) **Assignee:** **Manufacture d'Articles de Precision et de Dessin - M.A.P.E.D. (FR)**

(**) **Term:** **14 Years**

(21) **Appl. No.:** **29/144,247**

(22) **Filed:** **Jun. 28, 2001**

(51) **LOC (7) Cl.** **19-02**

(52) **U.S. Cl.** **D19/72**

(58) **Field of Search** D19/65, 72, 95,
D19/99, 100; 30/358, 363; 83/167, 560,
582, 588, 618, 627, 633

(56) **References Cited**

U.S. PATENT DOCUMENTS

- 766,388 A * 8/1904 Robertson 83/582
- D373,385 S * 9/1996 Birkholz D19/65
- 5,601,006 A * 2/1997 Quinn et al. 83/588

- D393,657 S * 4/1998 Bennett D19/65
- D407,752 S * 4/1999 Kim et al. D19/65
- D420,049 S * 2/2000 Robillard D19/65

* cited by examiner

Primary Examiner—Doris V. Coles

Assistant Examiner—Elizabeth A. Albert

(74) *Attorney, Agent, or Firm*—Cantor Colburn LLP

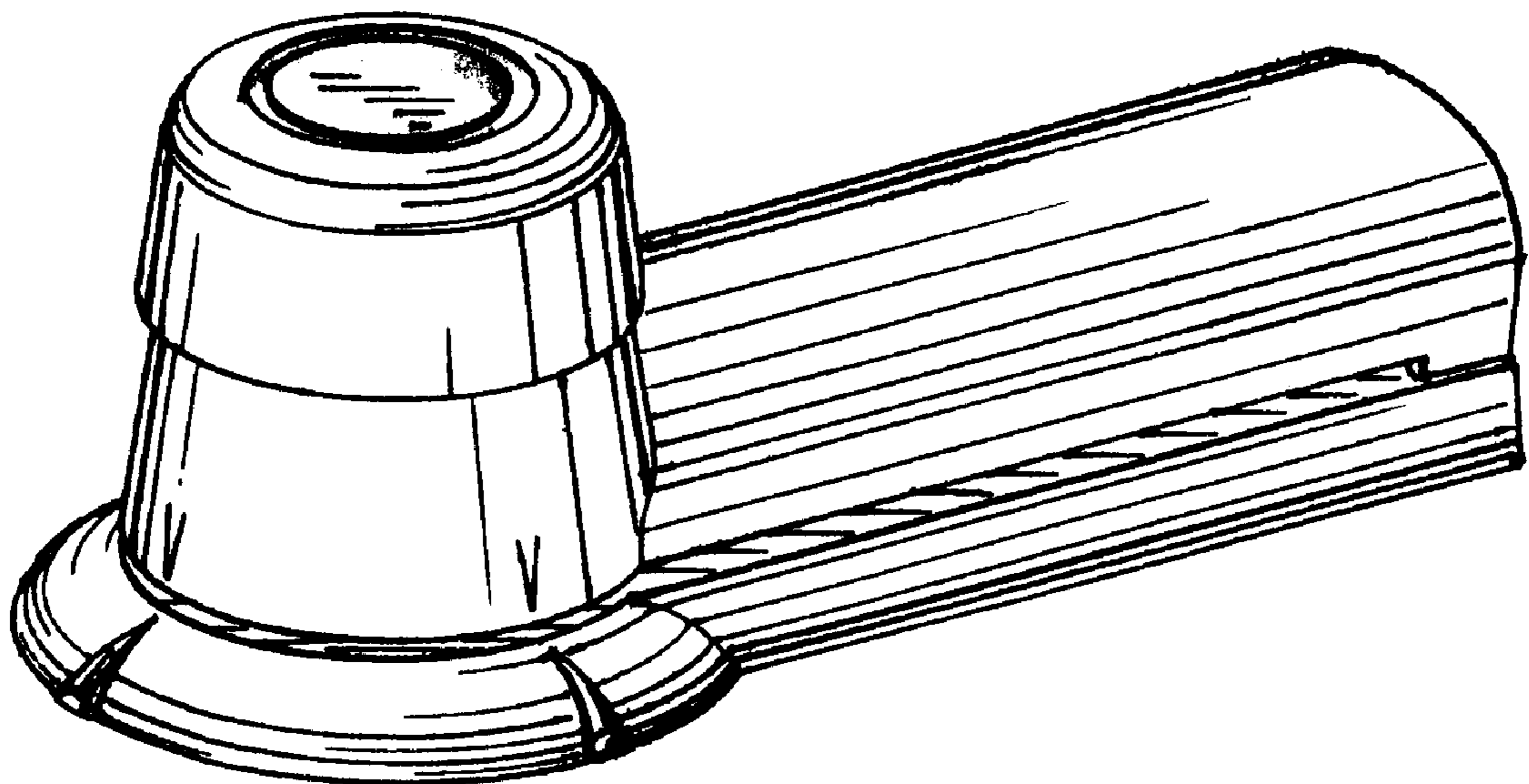
(57) **CLAIM**

The ornamental design for a paper punch, as shown and described.

DESCRIPTION

FIG. 1 is a top, front and side perspective view of a paper punch, showing my new design;
 FIG. 2 is a top, rear and side perspective view thereof;
 FIG. 3 is a side elevational view thereof, the opposite side being a mirror image thereof;
 FIG. 4 is a top plan view thereof;
 FIG. 5 is a front elevational view thereof; and,
 FIG. 6 is a rear elevational view thereof.

1 Claim, 2 Drawing Sheets



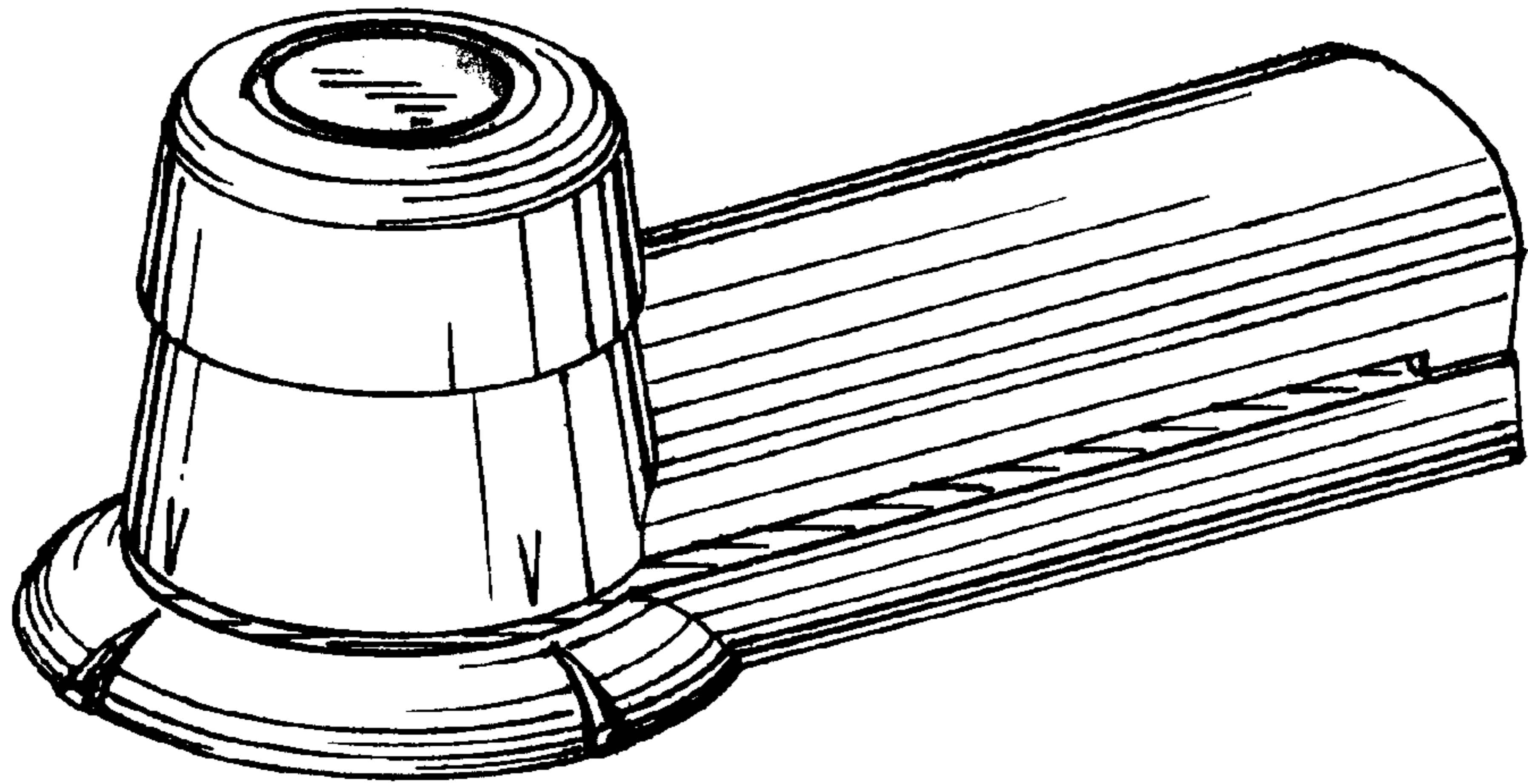


FIG. 1

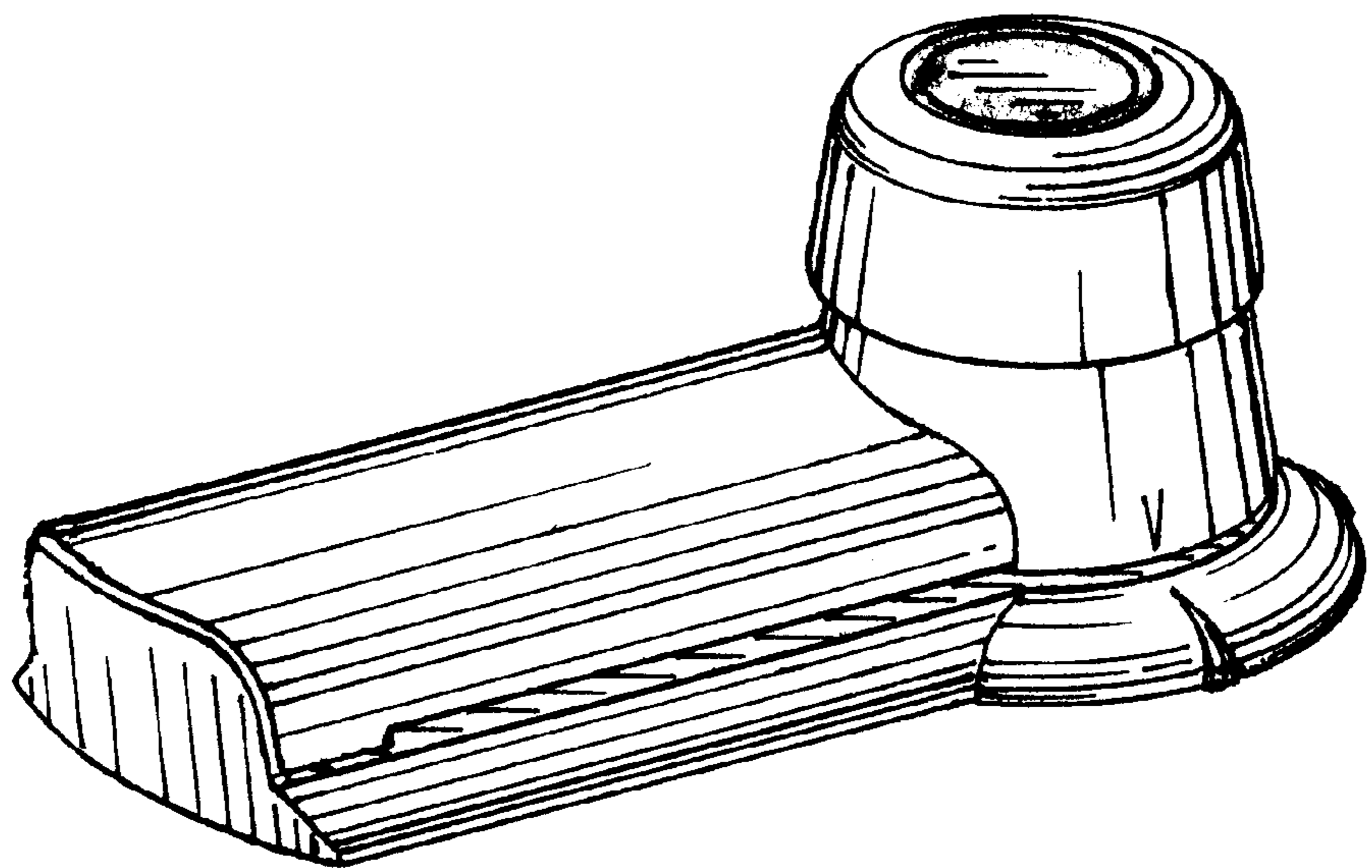


FIG. 2

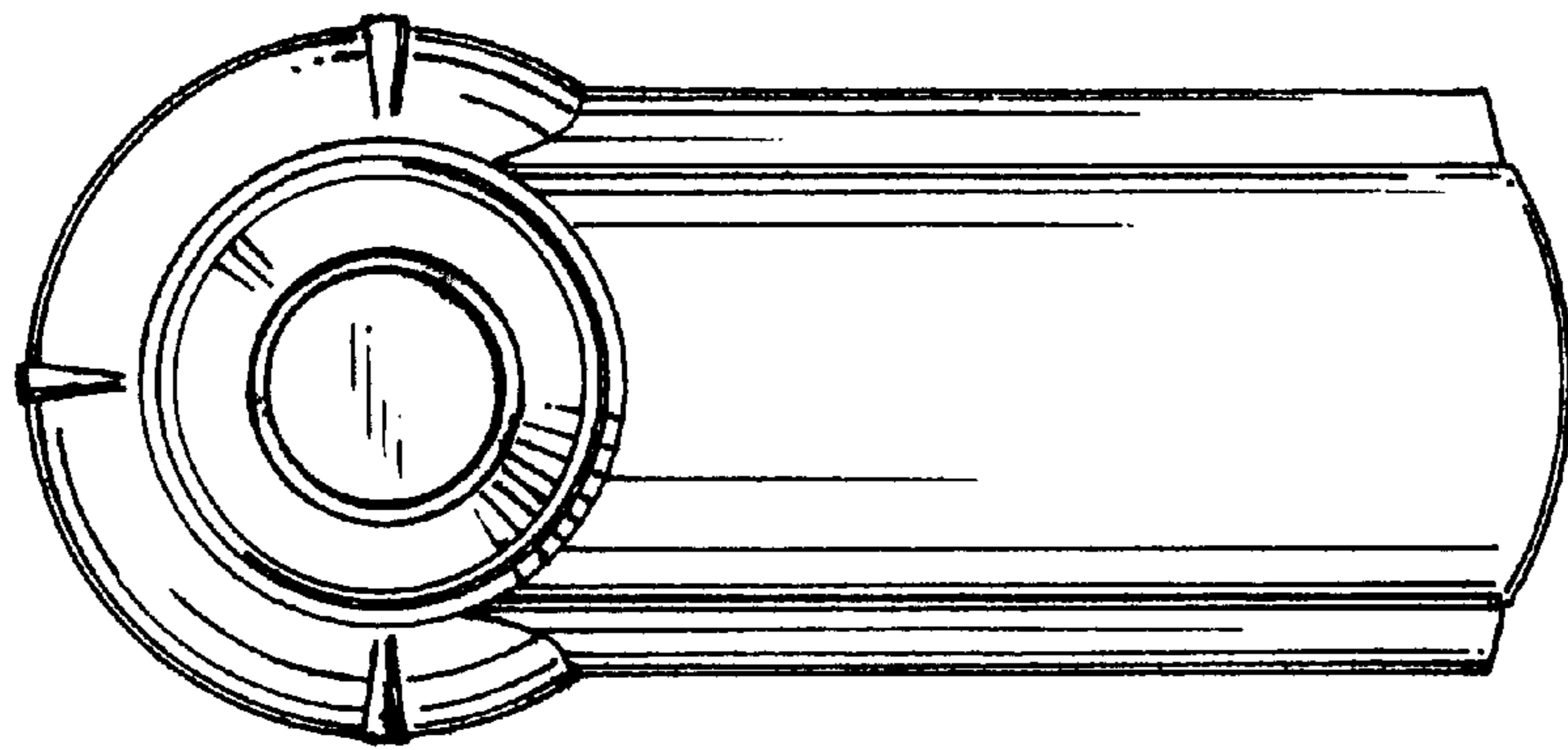


FIG. 4

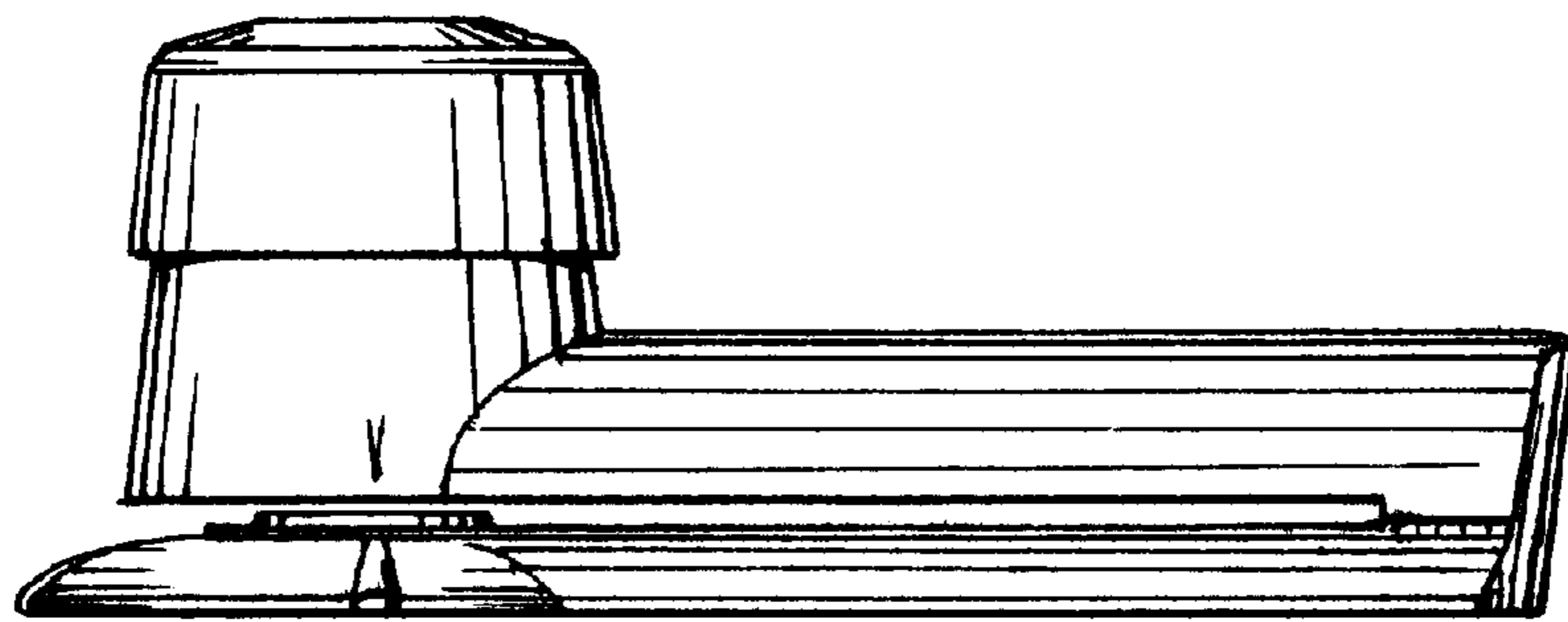


FIG. 3

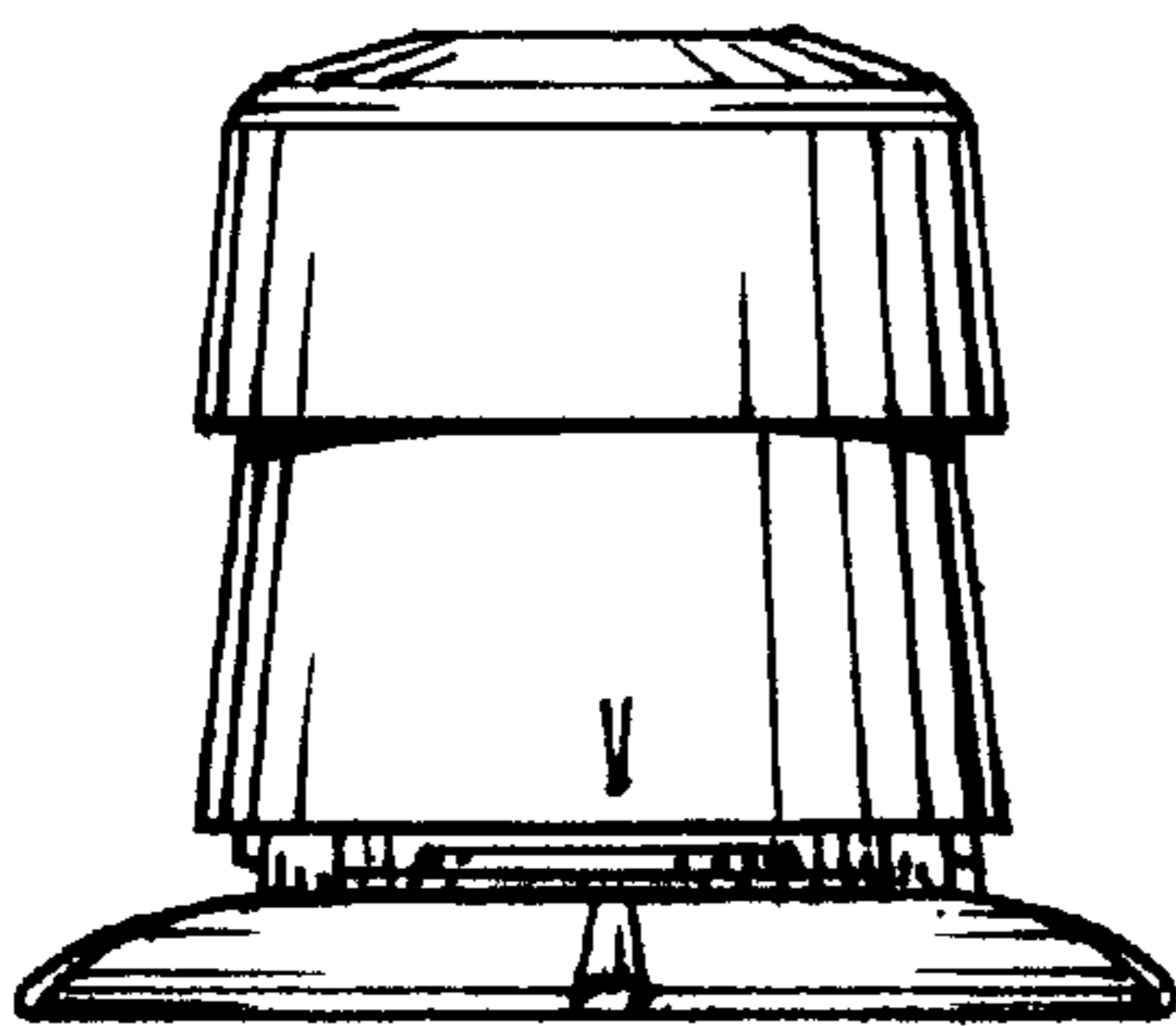


FIG. 5

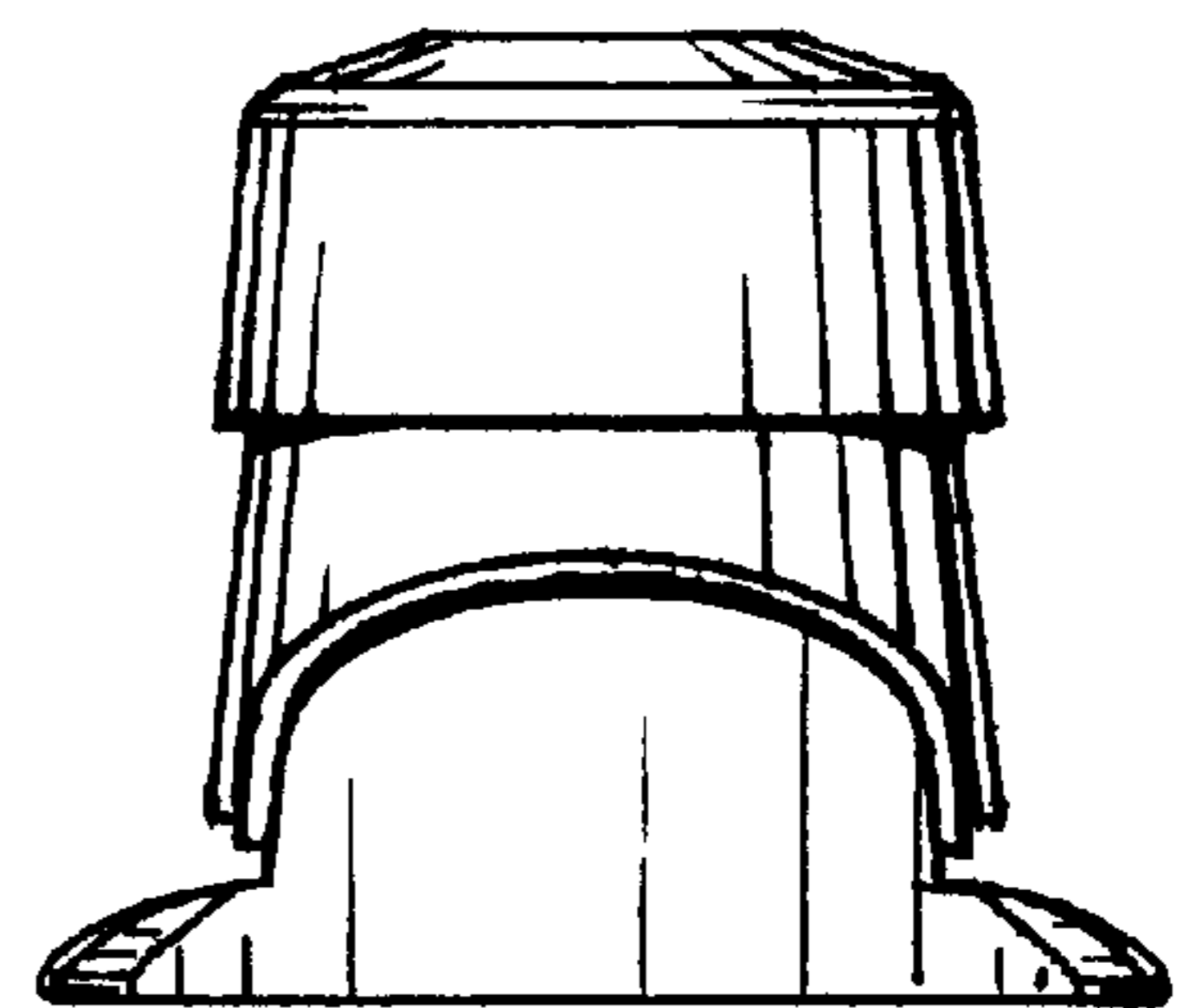


FIG. 6

UNITED STATES PATENT AND TRADEMARK OFFICE
CERTIFICATE OF CORRECTION

PATENT NO. : Des. 465,526 S
DATED : November 12, 2002
INVENTOR(S) : Catherine Breche

Page 1 of 1

It is certified that error appears in the above-identified patent and that said Letters Patent is hereby corrected as shown below:

Title page,

Insert

-- [30] **Foreign Application Priority Data**

January 8, 2001 (XH)Hague Agreement DM/054598 --

Signed and Sealed this

Twenty-sixth Day of August, 2003

A handwritten signature in black ink, appearing to read "James E. Rogan", written over a horizontal line.

JAMES E. ROGAN

Director of the United States Patent and Trademark Office