



US00D465525S

(12) **United States Design Patent**  
**Dilday**

(10) **Patent No.:** **US D465,525 S**

(45) **Date of Patent:** **\*\* Nov. 12, 2002**

(54) **RESILIENT GRASPING PAPER CLIP**

(75) Inventor: **James D. Dilday**, Flippin, AR (US)

(73) Assignee: **Micro Plastics, Inc.**, Flippin, AR (US)

(\*\*) Term: **14 Years**

(21) Appl. No.: **29/154,680**

(22) Filed: **Jan. 28, 2002**

(51) **LOC (7) Cl.** ..... **19-02**

(52) **U.S. Cl.** ..... **D19/65; D19/86; D8/395**

(58) **Field of Search** ..... **D19/34, 65, 75, D19/86, 90, 91, 99, 100; D8/395; 24/67 R, 67.1-67.11, 545-547, 555, 556, 563, DIG. 8, DIG. 9, DIG. 10**

(56) **References Cited**

**U.S. PATENT DOCUMENTS**

893,353 A	7/1908	McGill	
D137,731 S	* 4/1944	Kirkland	..... D19/65 X
2,717,572 A	9/1955	Kingman	
3,057,028 A	10/1962	Lorber	
3,348,272 A	10/1967	Germani	
3,673,641 A	7/1972	Lorber	
D235,127 S	5/1975	Grant	
D235,174 S	5/1975	Gardner	
D241,342 S	9/1976	Carroll	
D263,243 S	* 3/1982	Creamer	..... D19/34
D268,848 S	* 5/1983	Lorber	..... D19/99
4,506,416 A	3/1985	Ohimiato	
4,706,342 A	* 11/1987	Yu	..... 24/67.9
D305,036 S	12/1989	Voetsch	
4,914,791 A	4/1990	Lorber	
D309,473 S	* 7/1990	Toy	..... D19/34

D332,220 S	1/1993	Specht	
5,179,765 A	1/1993	Sungberg	
5,214,825 A	6/1993	Hirzel	
5,231,735 A	8/1993	Paxton	
D344,545 S	* 2/1994	Tsai	..... D19/65
5,516,114 A	5/1996	Michlin	
D380,494 S	* 7/1997	Molenaar	..... D19/65
5,704,724 A	1/1998	Karlis	
6,018,850 A	1/2000	Lorber	
6,018,849 A	2/2000	Royer	
D451,963 S	* 12/2001	Molenaar	..... D19/88

\* cited by examiner

*Primary Examiner*—Martie K. Holtje

(74) *Attorney, Agent, or Firm*—Stephen D. Carver

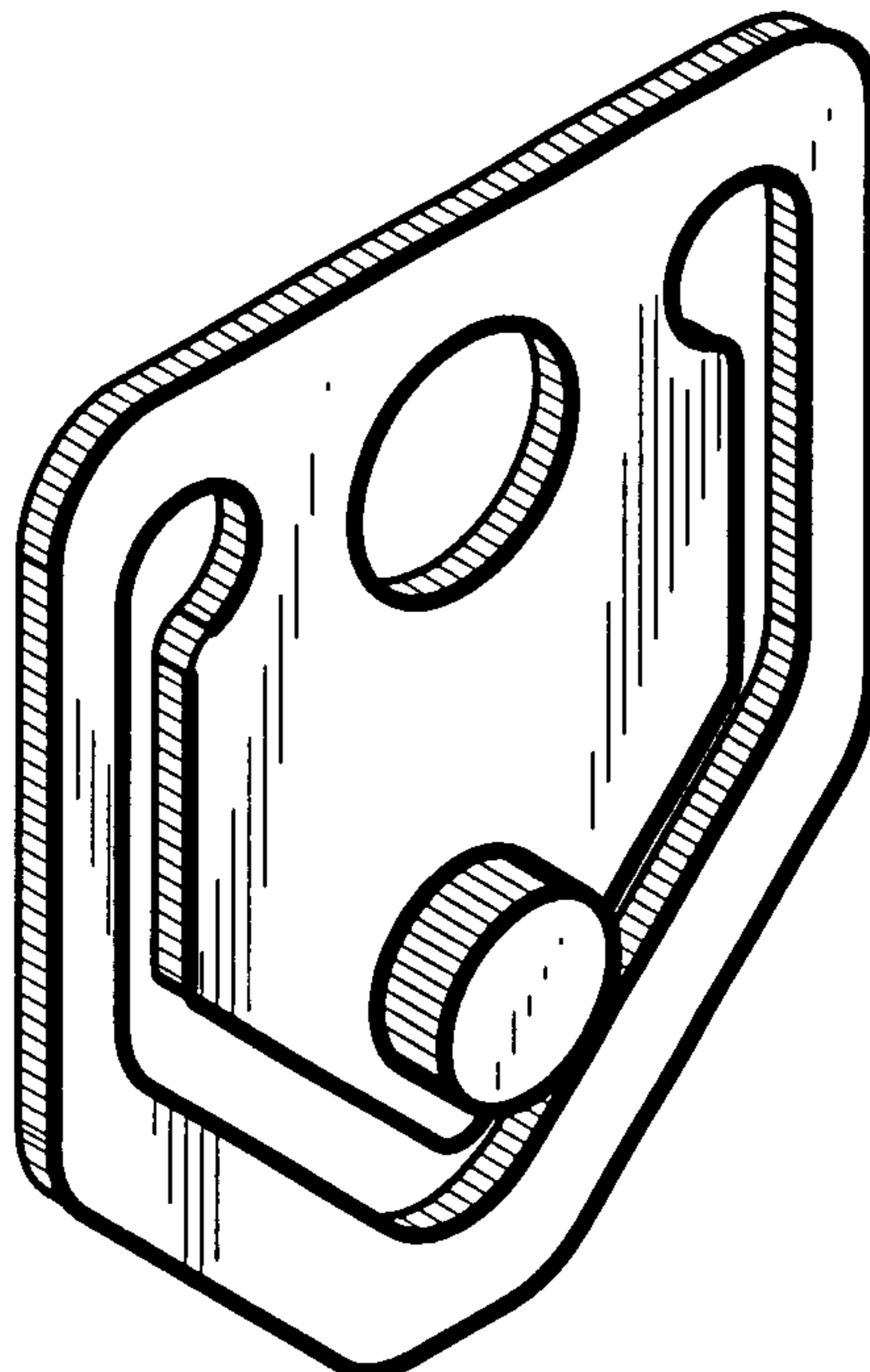
(57) **CLAIM**

The ornamental design for a resilient grasping paper clip, as shown and described.

**DESCRIPTION**

FIG. 1 is a frontal isometric view thereof;  
 FIG. 2 is a rear isometric view thereof;  
 FIG. 3 is a front elevational view, the rear elevational view comprising a mirror image thereof;  
 FIG. 4 is a left side elevational view taken from a position to the left of FIG. 3;  
 FIG. 5 is a right side elevational view taken from a position to the right of FIG. 3;  
 FIG. 6 is a top plan view taken from a position above FIG. 3; and,  
 FIG. 7 is a bottom plan view taken from a position below FIG. 3.

**1 Claim, 2 Drawing Sheets**



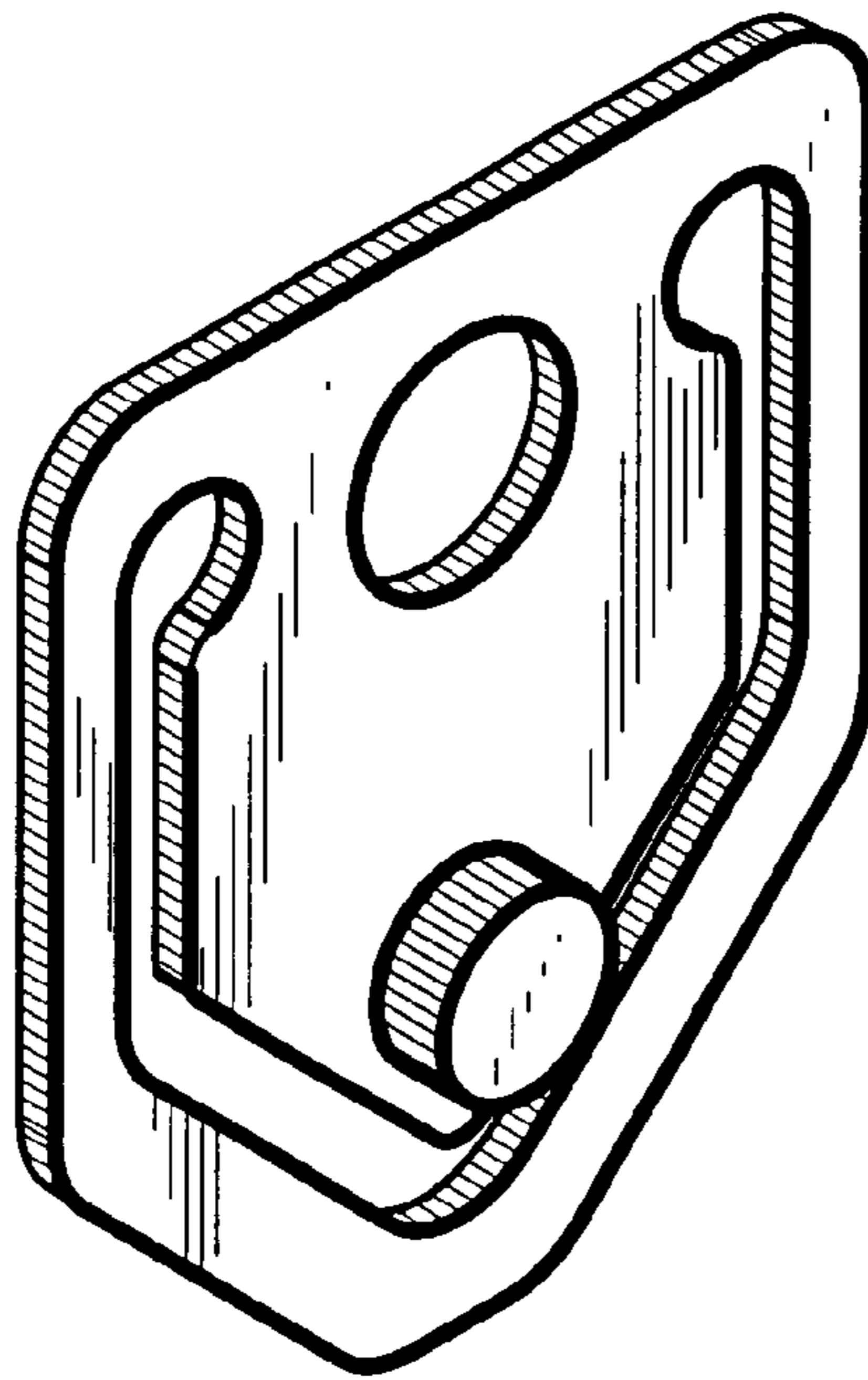


Fig. 1

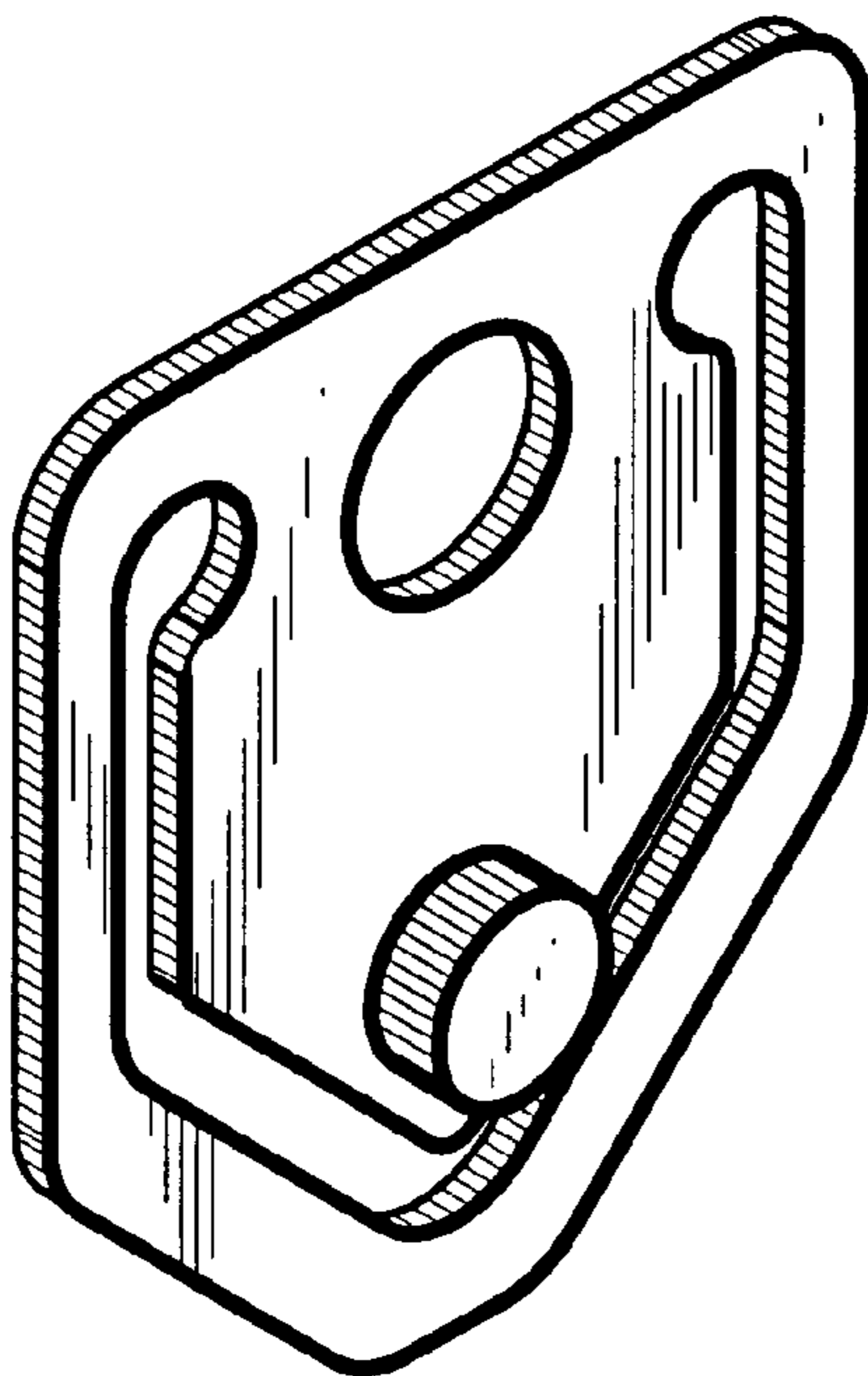


Fig. 2

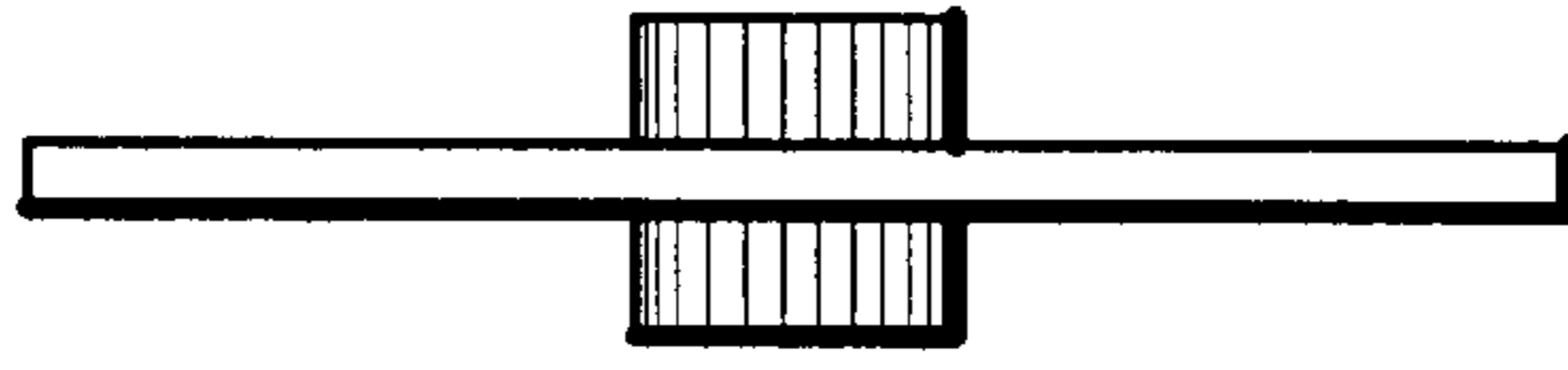


Fig. 6

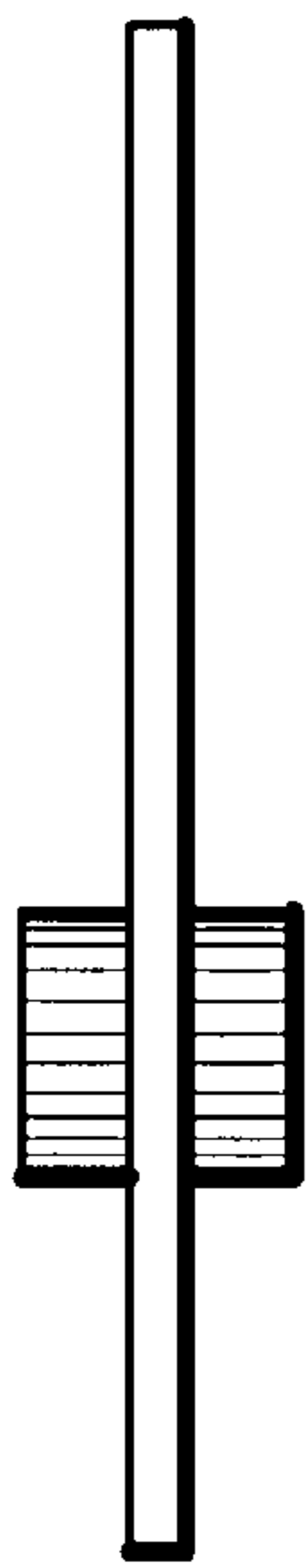


Fig. 4

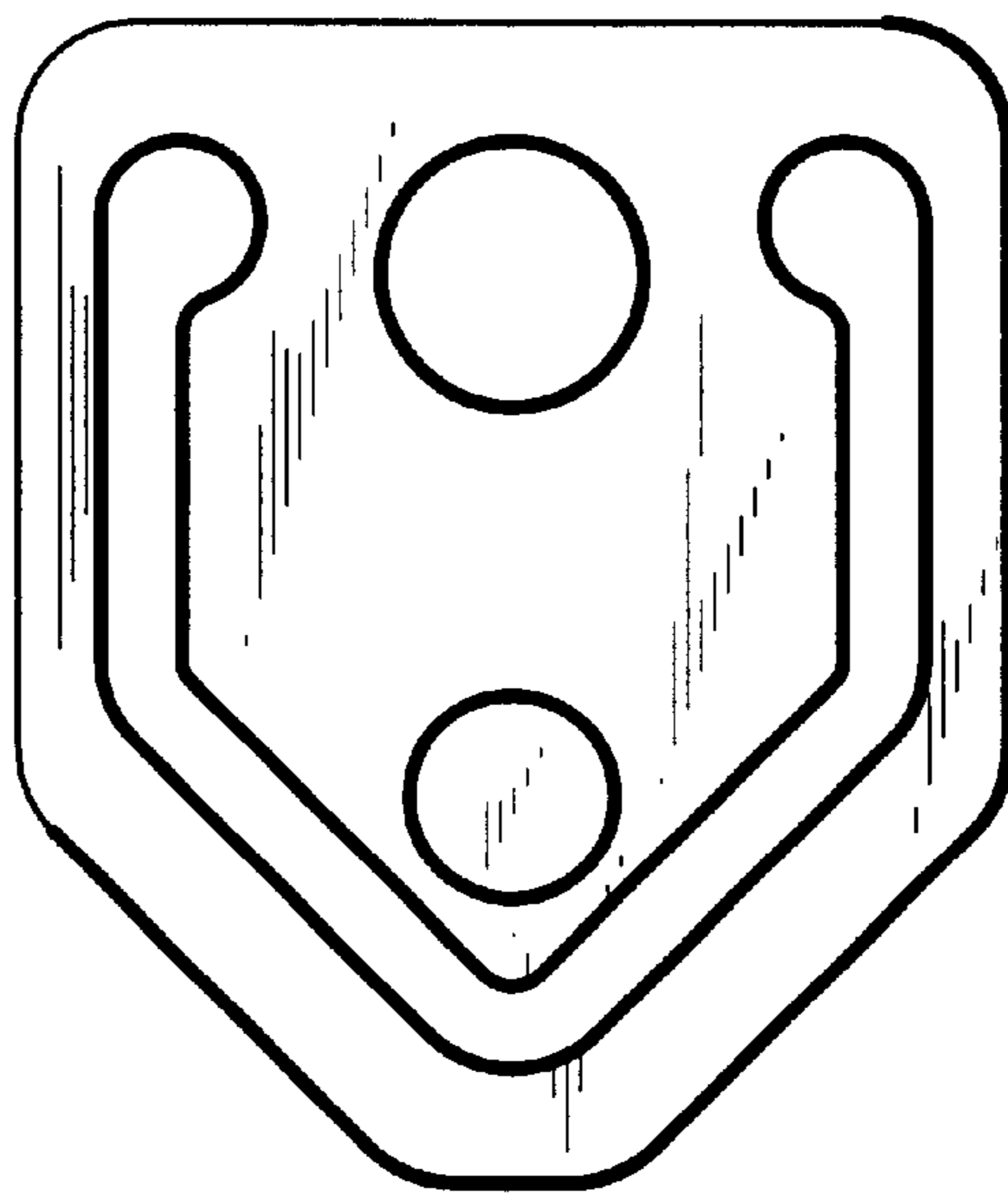


Fig. 3

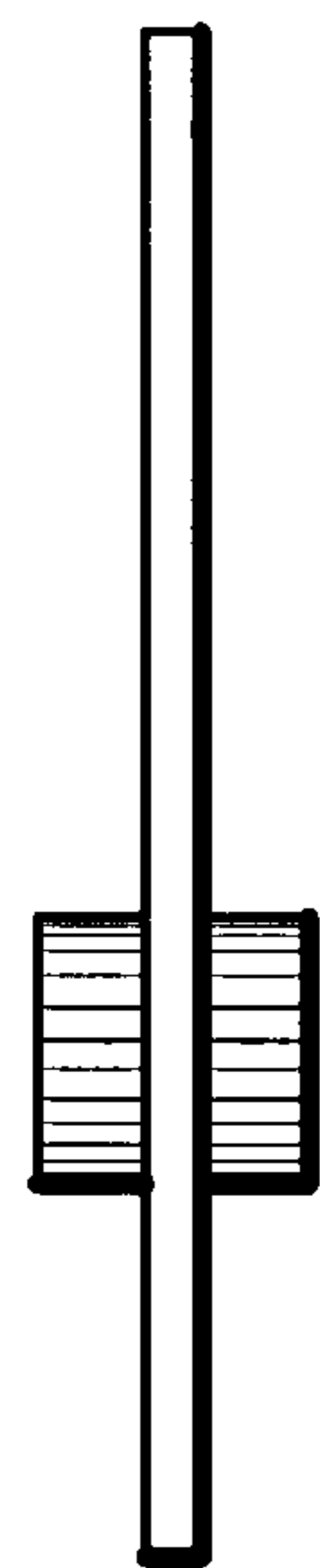


Fig. 5



Fig. 7