



US00D465524S

(12) **United States Design Patent**
Nanao

(10) **Patent No.:** **US D465,524 S**

(45) **Date of Patent:** **** Nov. 12, 2002**

(54) **COMBINATION MIRROR AND DOCUMENT HOLDER**

(75) Inventor: **Hidemi Nanao**, Tokyo (JP)

(73) Assignee: **Hiromori Inc.**, Tokyo (JP)

(**) Term: **14 Years**

(21) Appl. No.: **29/149,036**

(22) Filed: **Oct. 1, 2001**

(30) **Foreign Application Priority Data**

Mar. 30, 2001 (HK) 0110480

(51) **LOC (7) Cl.** **19-02**

(52) **U.S. Cl.** **D19/65; D19/90; D6/300**

(58) **Field of Search** D6/300-314; D8/394,
D8/395; D19/65, 75, 78, 86, 90, 91, 99,
100; 24/67 R, 67.1-67.11, 545-547, 563,
455; 211/87.01, 89.01, 45; 40/122

(56) **References Cited**

U.S. PATENT DOCUMENTS

1,192,054 A * 7/1916 Fuller 40/122
D50,061 S * 12/1916 Fuller D19/65

D186,370 S * 10/1959 Russell D6/300 X
D274,127 S * 6/1984 Einhorn et al. D8/395
D295,983 S * 5/1988 Chu D18/2
5,170,982 A * 12/1992 Schultheis et al. 248/316.3
D357,470 S * 4/1995 Bergdoll et al. D14/114
D432,906 S * 10/2000 Stoddard D8/395
D445,798 S * 7/2001 Moore D14/439

* cited by examiner

Primary Examiner—Martie K. Holtje

(74) *Attorney, Agent, or Firm*—Salter & Michaelson

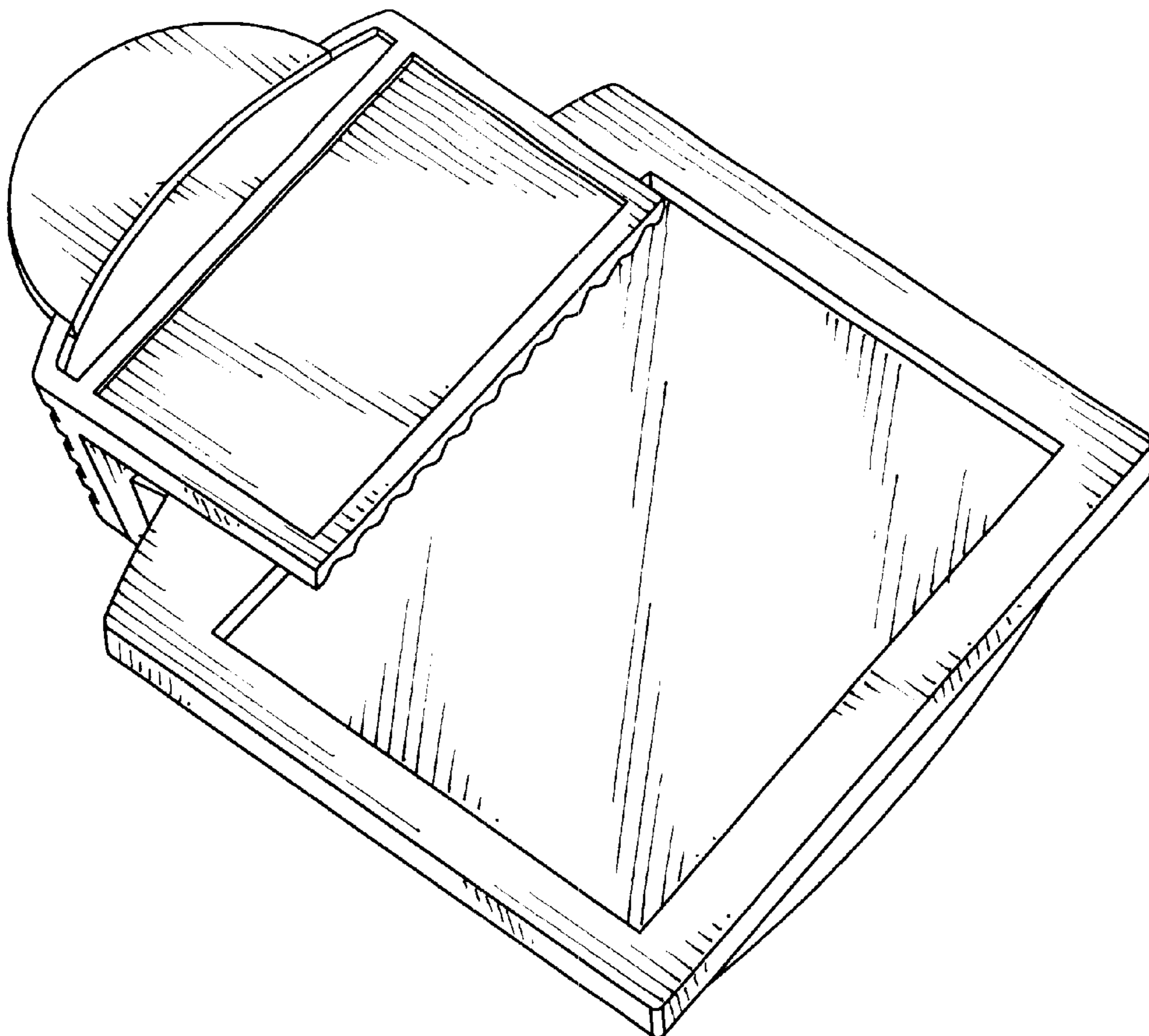
(57) **CLAIM**

The ornamental design for a combination mirror and document holder, as shown.

DESCRIPTION

FIG. 1 is a perspective view of a combination mirror and document holder showing my new design; FIG. 2 is a front elevational view thereof; FIG. 3 is a rear elevational view thereof; FIG. 4 is a left side elevational view thereof; FIG. 5 is a right side elevational view thereof; FIG. 6 is a top plan view thereof; and, FIG. 7 is a bottom plan view thereof.

1 Claim, 4 Drawing Sheets



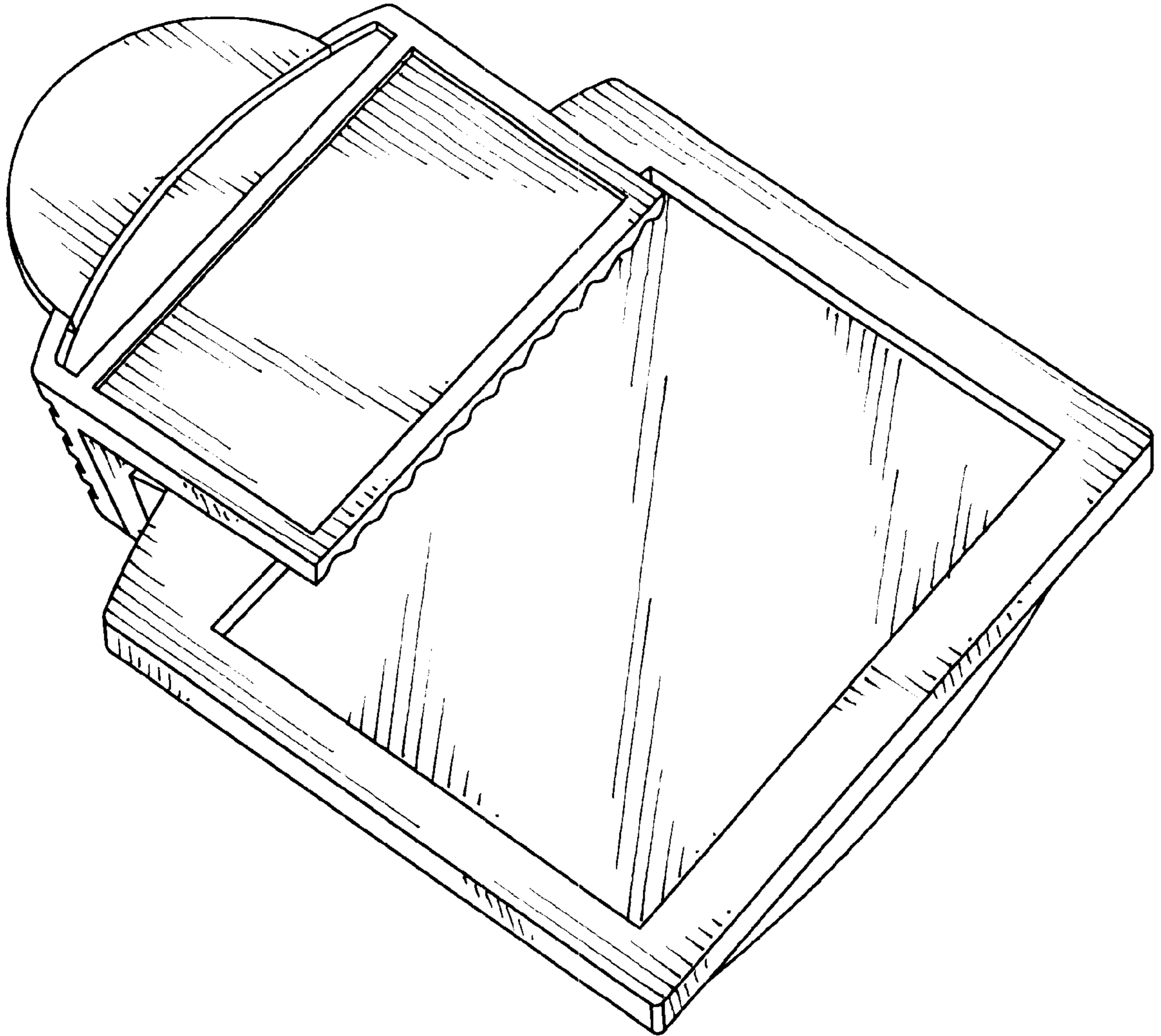


FIG. 1

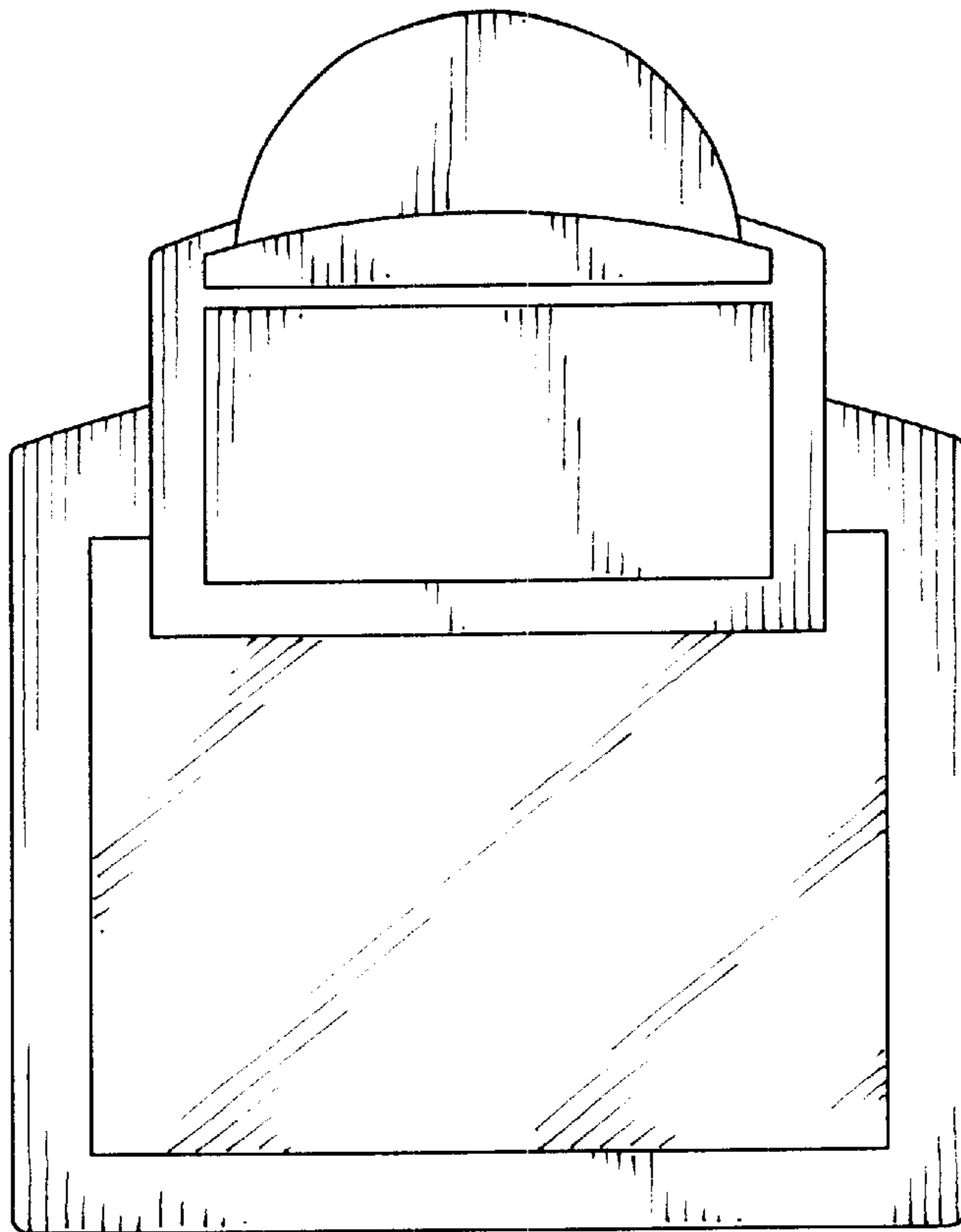


FIG. 2

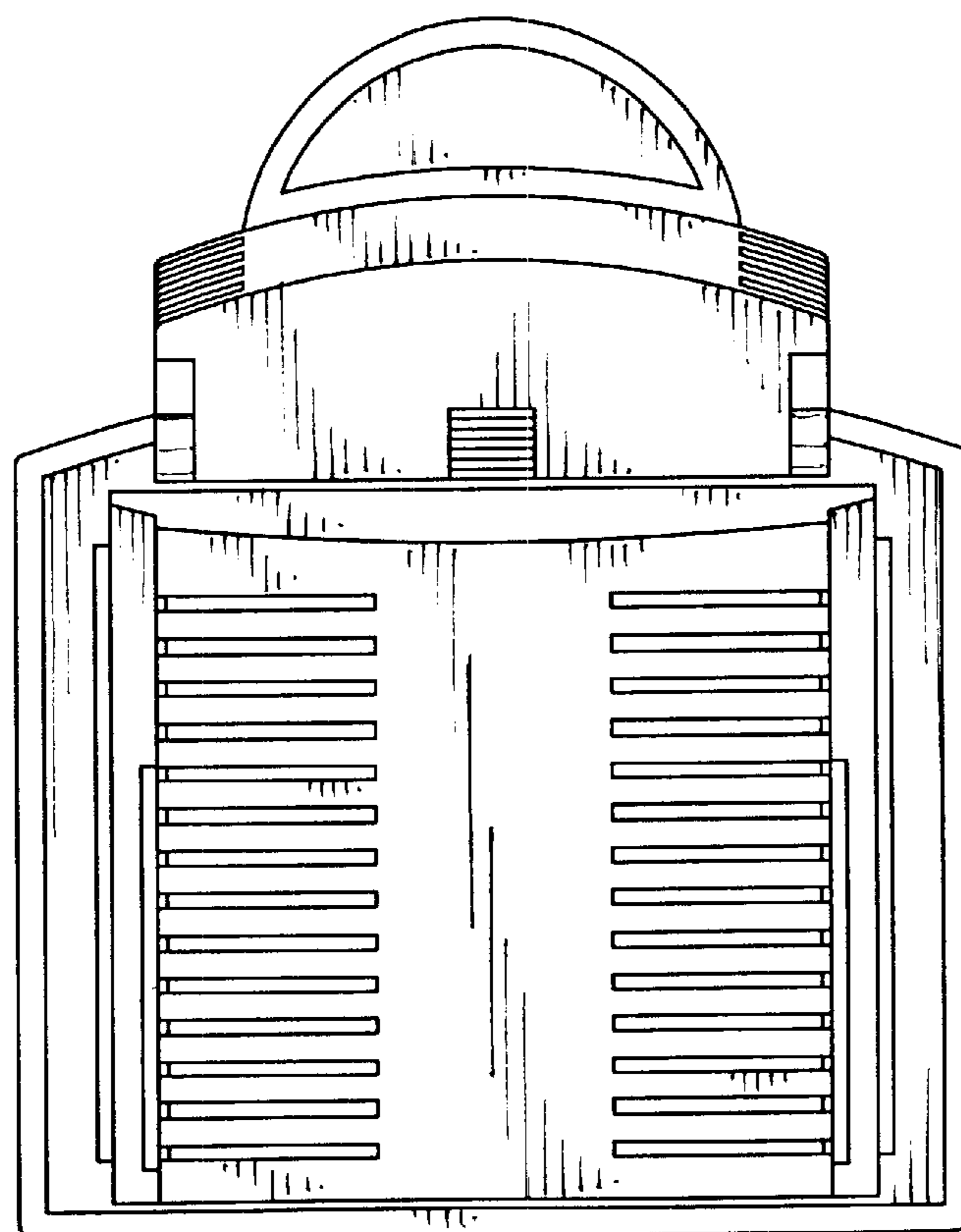


FIG. 3

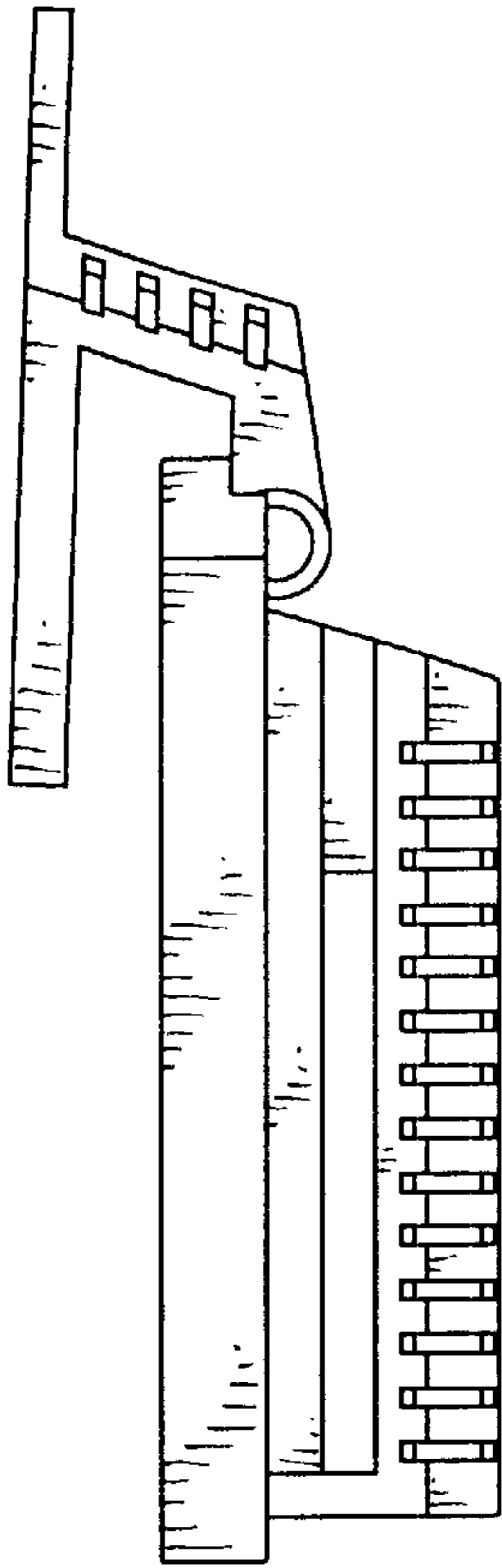


FIG. 4

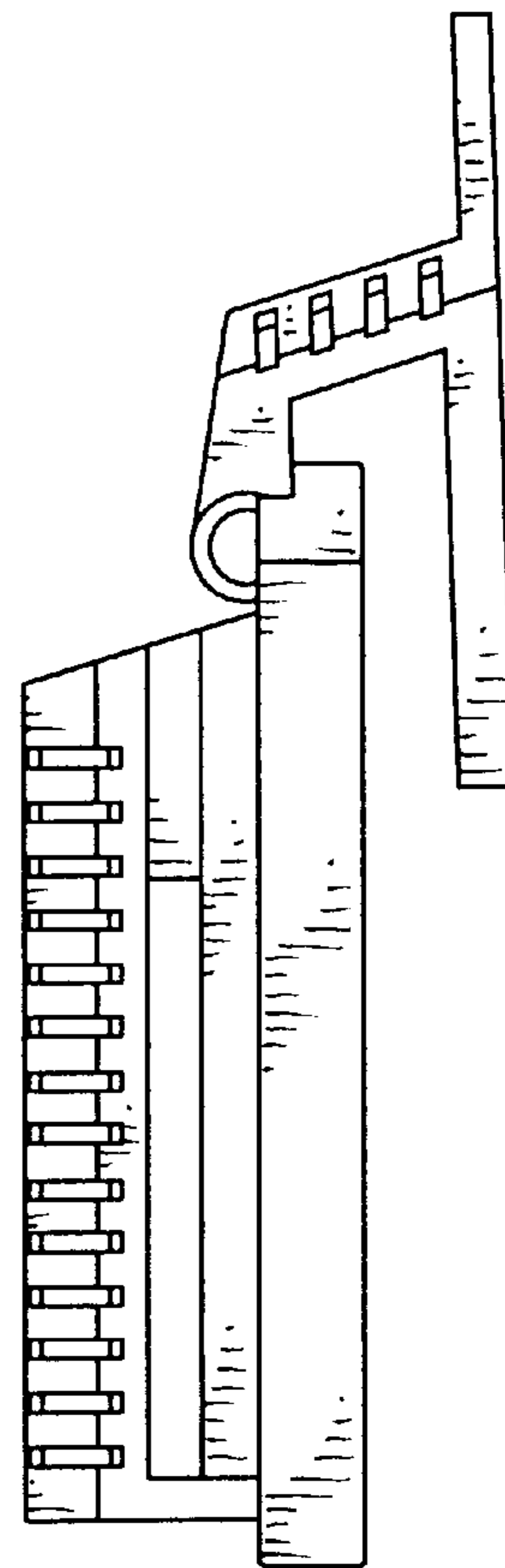


FIG. 5

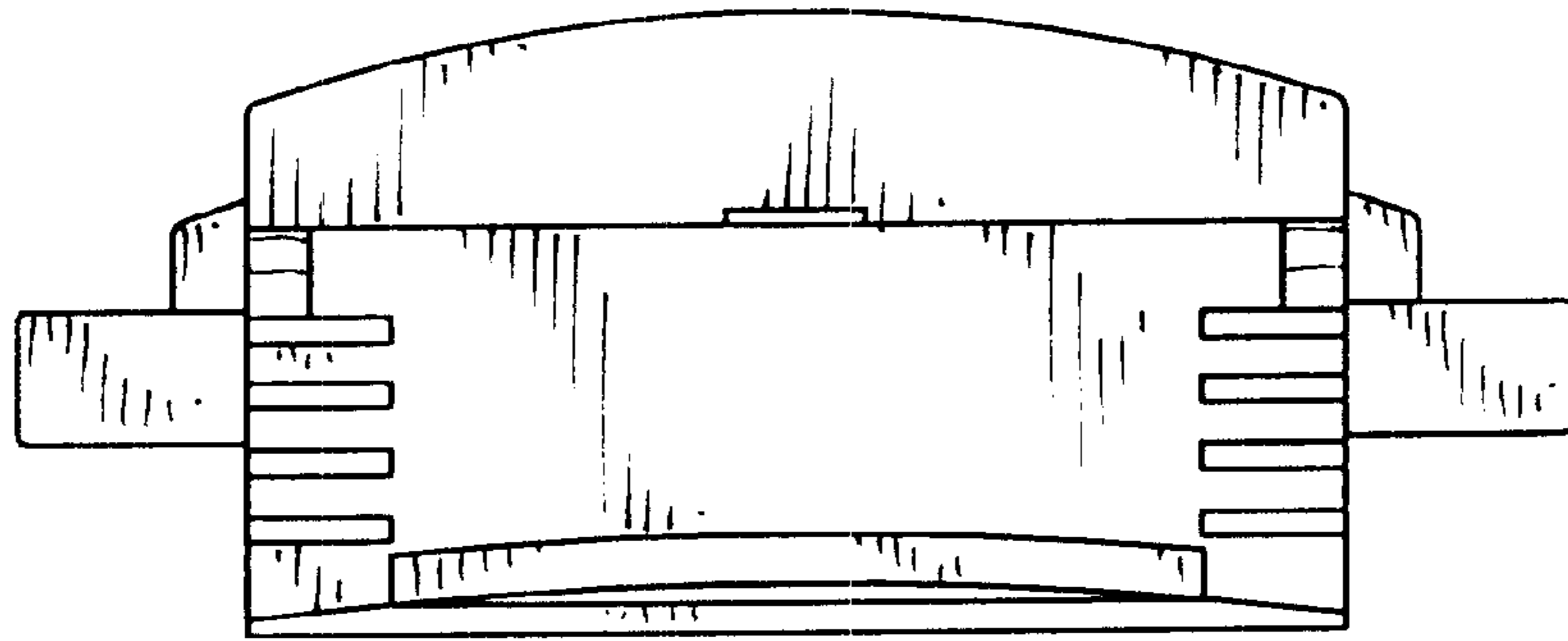


FIG. 6

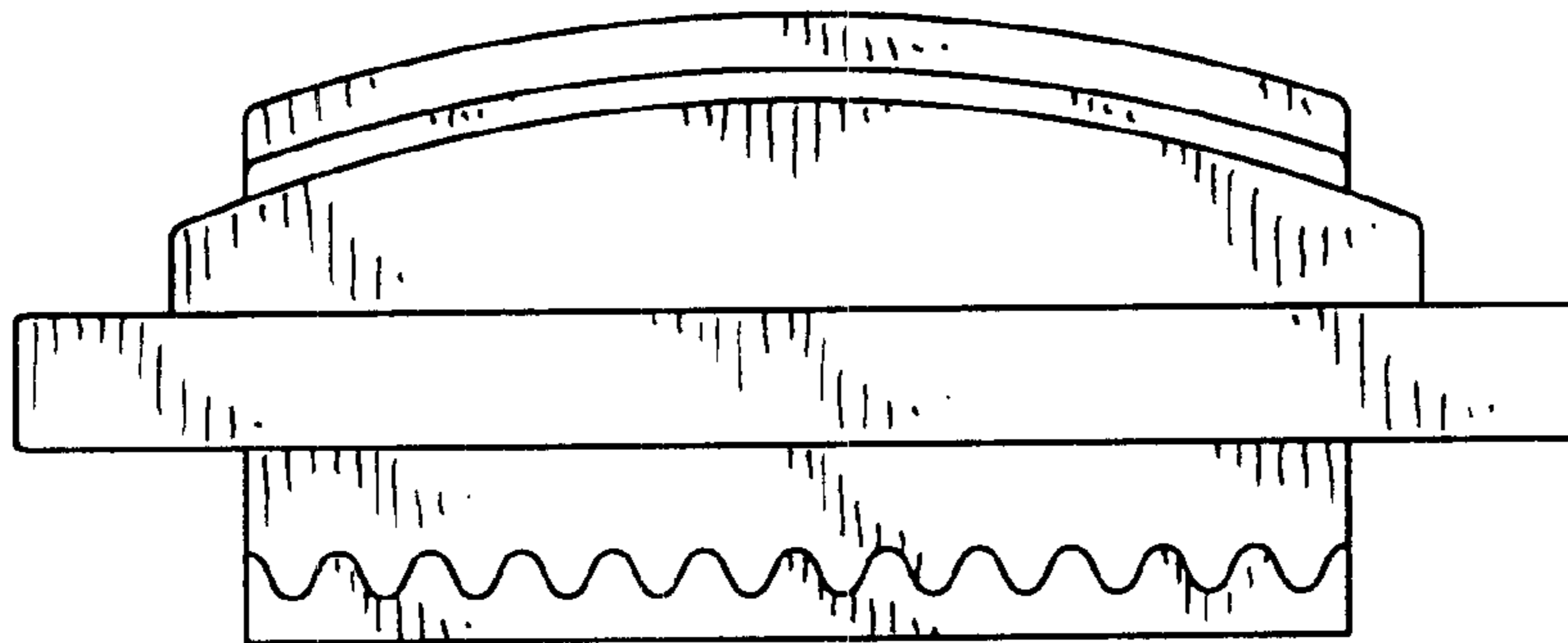


FIG. 7