



US00D46523S

(12) **United States Design Patent**  
**Morris et al.**

(10) **Patent No.:** **US D465,523 S**

(45) **Date of Patent:** **\*\* Nov. 12, 2002**

(54) **SOUNDING DEVICE**

D222,908 S \* 2/1972 Voth ..... D19/62  
3,766,683 A \* 10/1973 Vennola ..... 84/402  
4,643,680 A \* 2/1987 Hill ..... 434/170

(76) Inventors: **John Morris**, 61 Foxmeadow Dr,  
Stoney Creek, Ontario (CA), L8J 3P3;  
**Tony Cox**, 403 Hwy #2 West, Ancaster,  
Ontario (CA), L9G 1N7

\* cited by examiner

*Primary Examiner*—Adir Aronovich

(\*\*) Term: **14 Years**

(57) **CLAIM**

(21) Appl. No.: **29/139,795**

The ornamental design for a sounding device, as shown.

(22) Filed: **Apr. 6, 2001**

**DESCRIPTION**

(51) **LOC (7) Cl.** ..... **19-07**

(52) **U.S. Cl.** ..... **D19/62; D19/59**

(58) **Field of Search** ..... D17/24, 99; D19/59,  
D19/62, 64; D21/405, 486, 489; 84/402-404;  
434/112, 116, 170; 446/297

FIG. 1 is a top plan view of a sounding device showing our new design.

FIG. 2 is a front upright elevational view thereof.

FIG. 3 is a front top perspective view of the design.

FIG. 4 is a back bottom perspective view of a sounding device showing our new design; and,

FIG. 5 is a back top perspective view thereof.

(56) **References Cited**

**U.S. PATENT DOCUMENTS**

527,488 A \* 10/1894 Gerry ..... 116/169

**1 Claim, 4 Drawing Sheets**

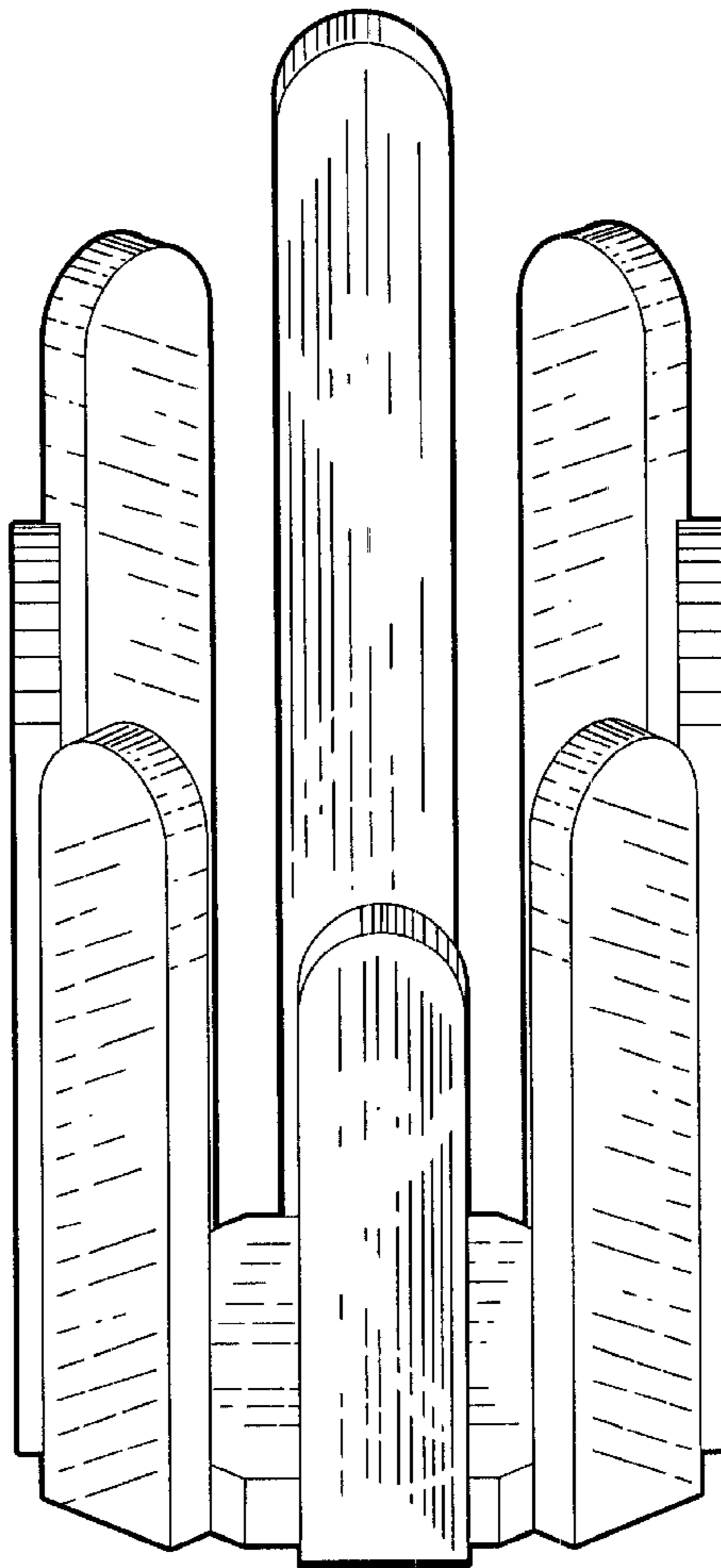


FIG. 1

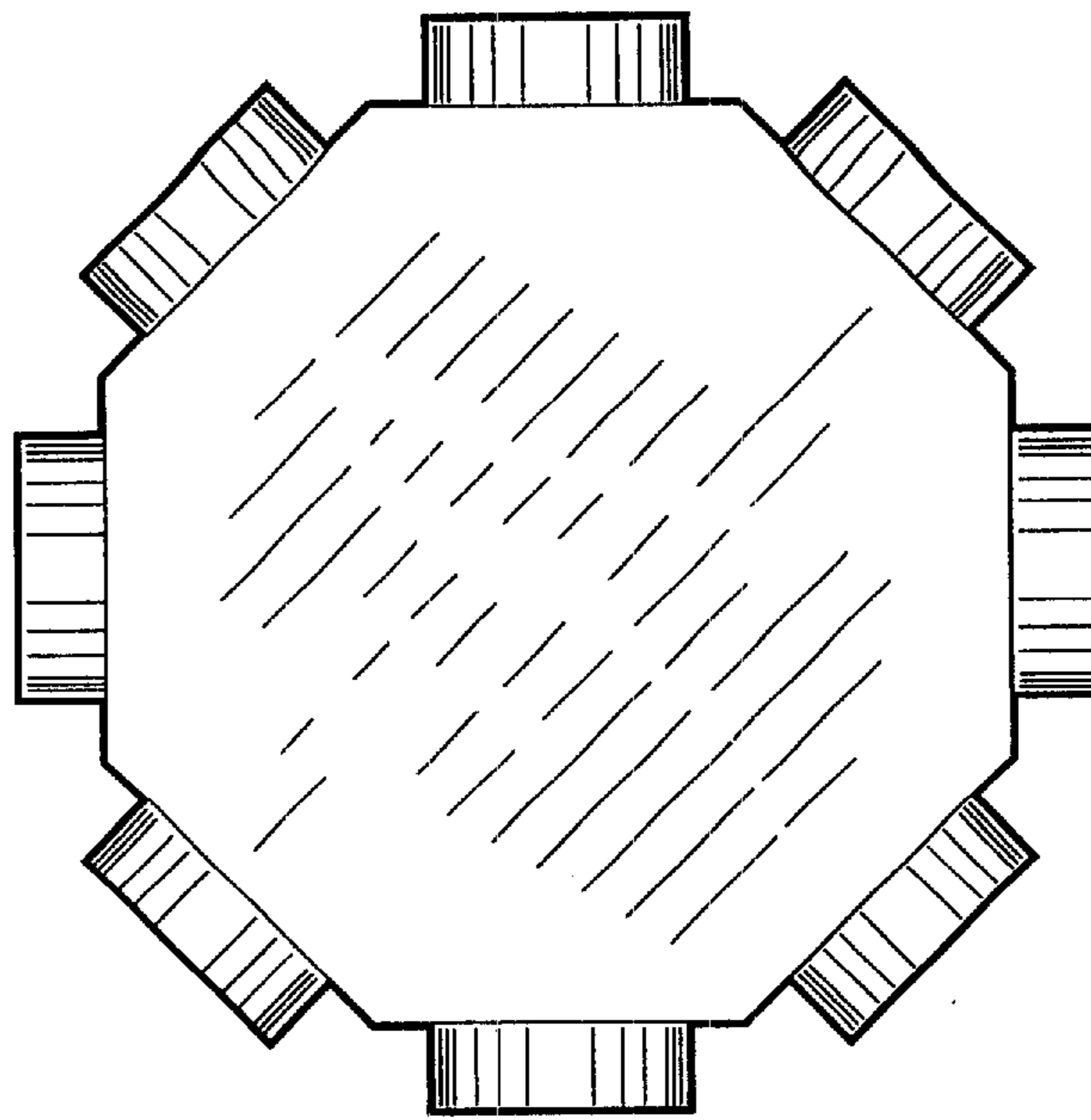


FIG. 2

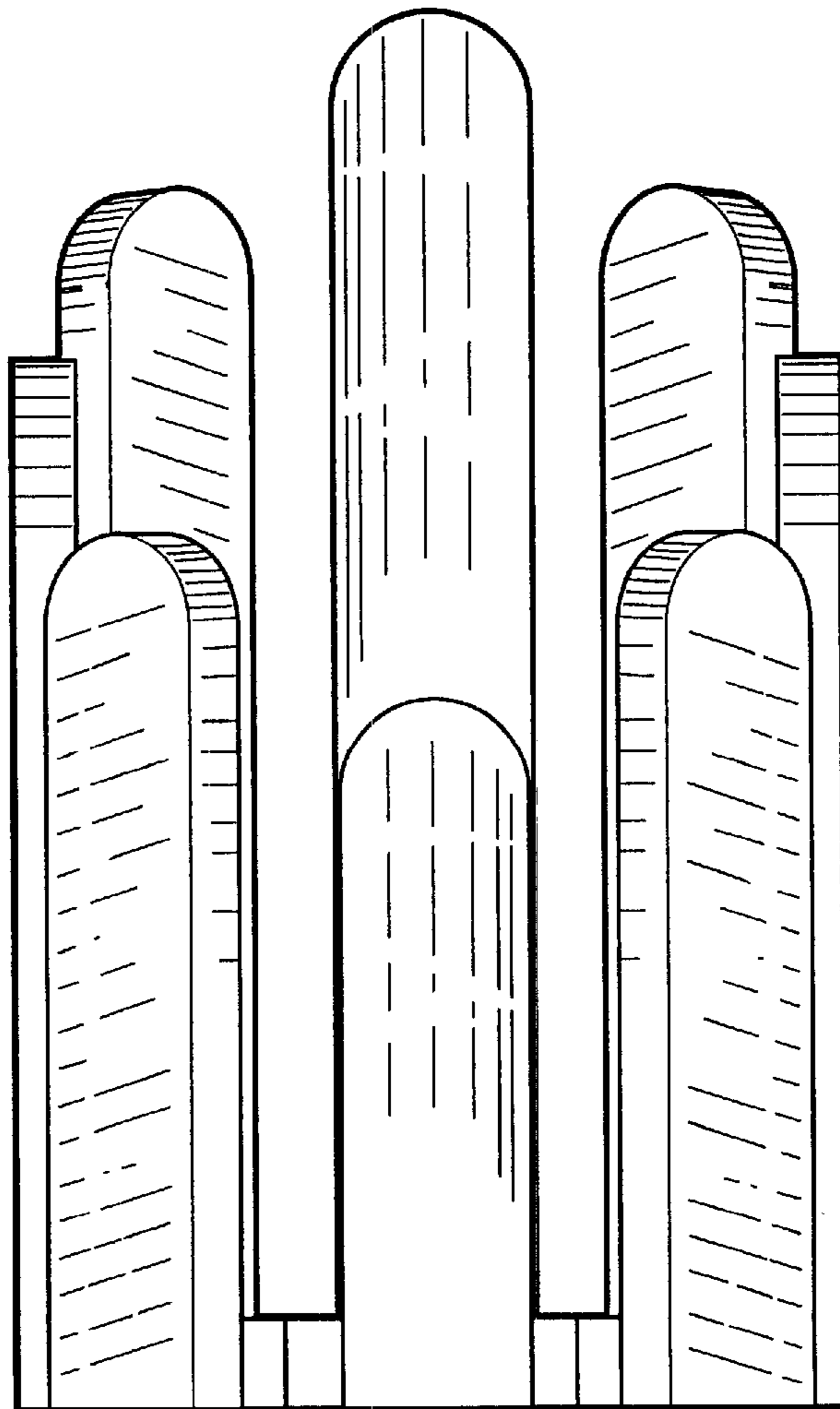


FIG. 3

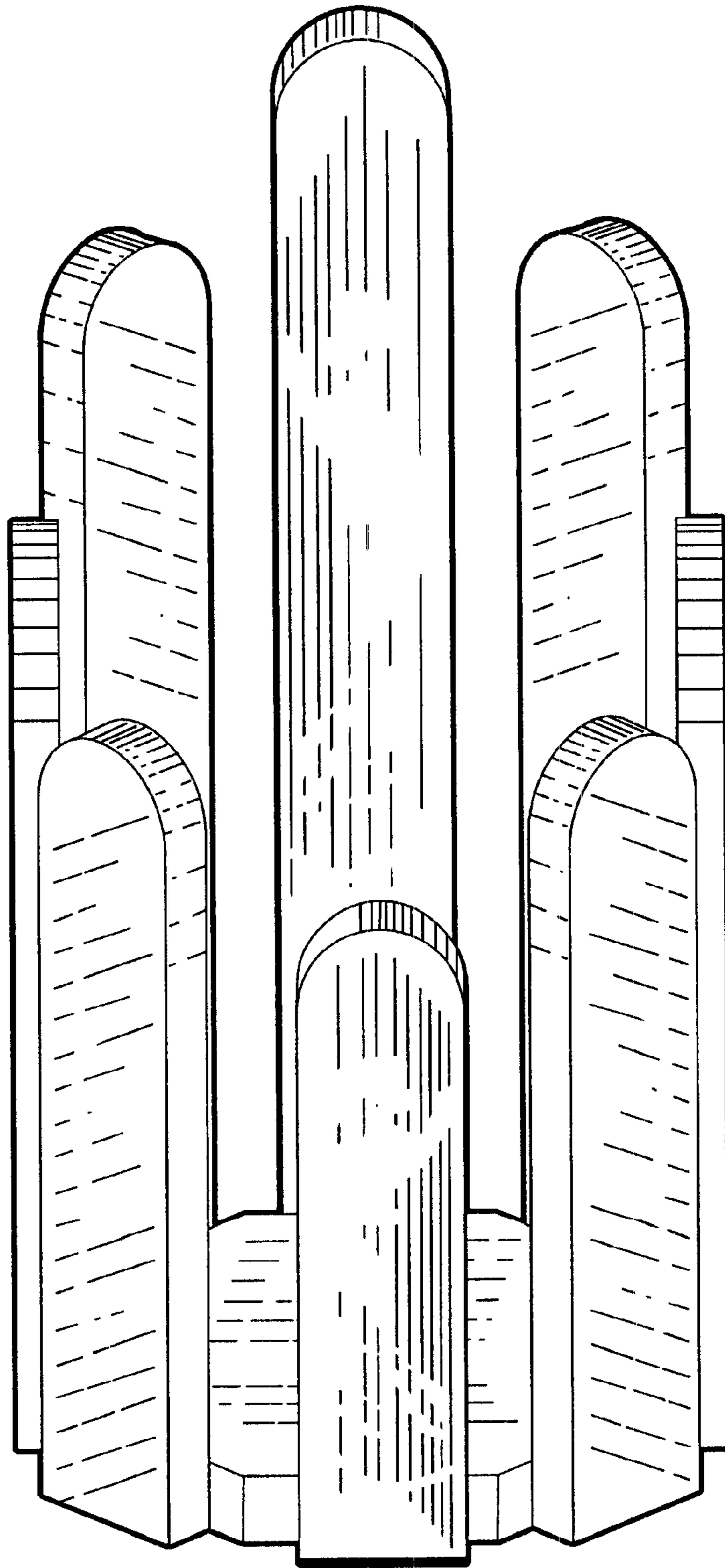


FIG. 4

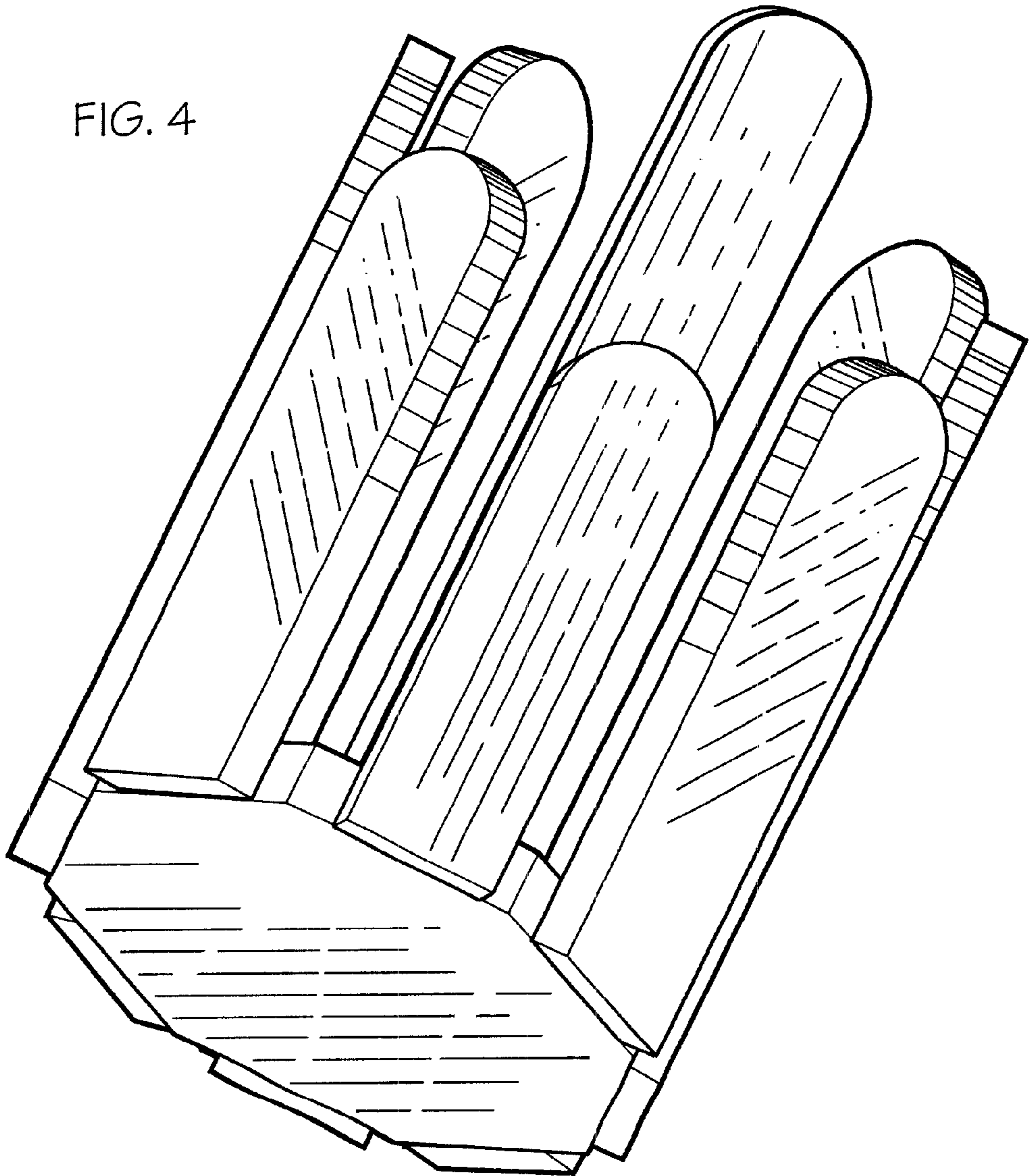


FIG. 5

