



US00D465522S

(12) **United States Design Patent**  
**Beno**

(10) **Patent No.:** **US D465,522 S**

(45) **Date of Patent:** **\*\* Nov. 12, 2002**

(54) **BULLETIN BOARD FRAME CORNER**

(75) **Inventor:** **Steven Beno**, Gurnee, IL (US)

(73) **Assignee:** **General Binding Corporation**, Skokie, IL (US)

(\*\*) **Term:** **14 Years**

(21) **Appl. No.:** **29/140,141**

(22) **Filed:** **Apr. 12, 2001**

(51) **LOC (7) Cl.** ..... **19-06**

(52) **U.S. Cl.** ..... **D19/54; D19/52; D6/300**

(58) **Field of Search** ..... **D6/300; D19/35, D19/36, 52, 65, 75, 90, 91, 99, 100; D20/10, 39, 41, 42; 434/408-425, 428-430; 40/1, 124.01-124.05, 661, 603, 757, 759, 780, 790, 904**

(56) **References Cited**

**U.S. PATENT DOCUMENTS**

- D302,986 S \* 8/1989 Takai et al. .... D19/52
- D307,078 S \* 10/1990 Guillemet ..... D6/300
- D317,400 S \* 6/1991 Loew ..... D6/300 X
- 5,176,522 A \* 1/1993 Robertson, Jr. .... 434/415

- D333,607 S \* 3/1993 Isler ..... D6/300 X
- 5,397,091 A \* 3/1995 Tsuar ..... 434/417 X
- D384,979 S \* 10/1997 Greene, Jr. .... D20/41

\* cited by examiner

*Primary Examiner*—Martie K. Holtje

(74) *Attorney, Agent, or Firm*—Faier & Faier P.C.; Martin Faier

(57) **CLAIM**

The ornamental design for the bulletin board frame corner, as shown and described.

**DESCRIPTION**

FIG. 1 is a front view of the bulletin board frame corner embodying the invention.

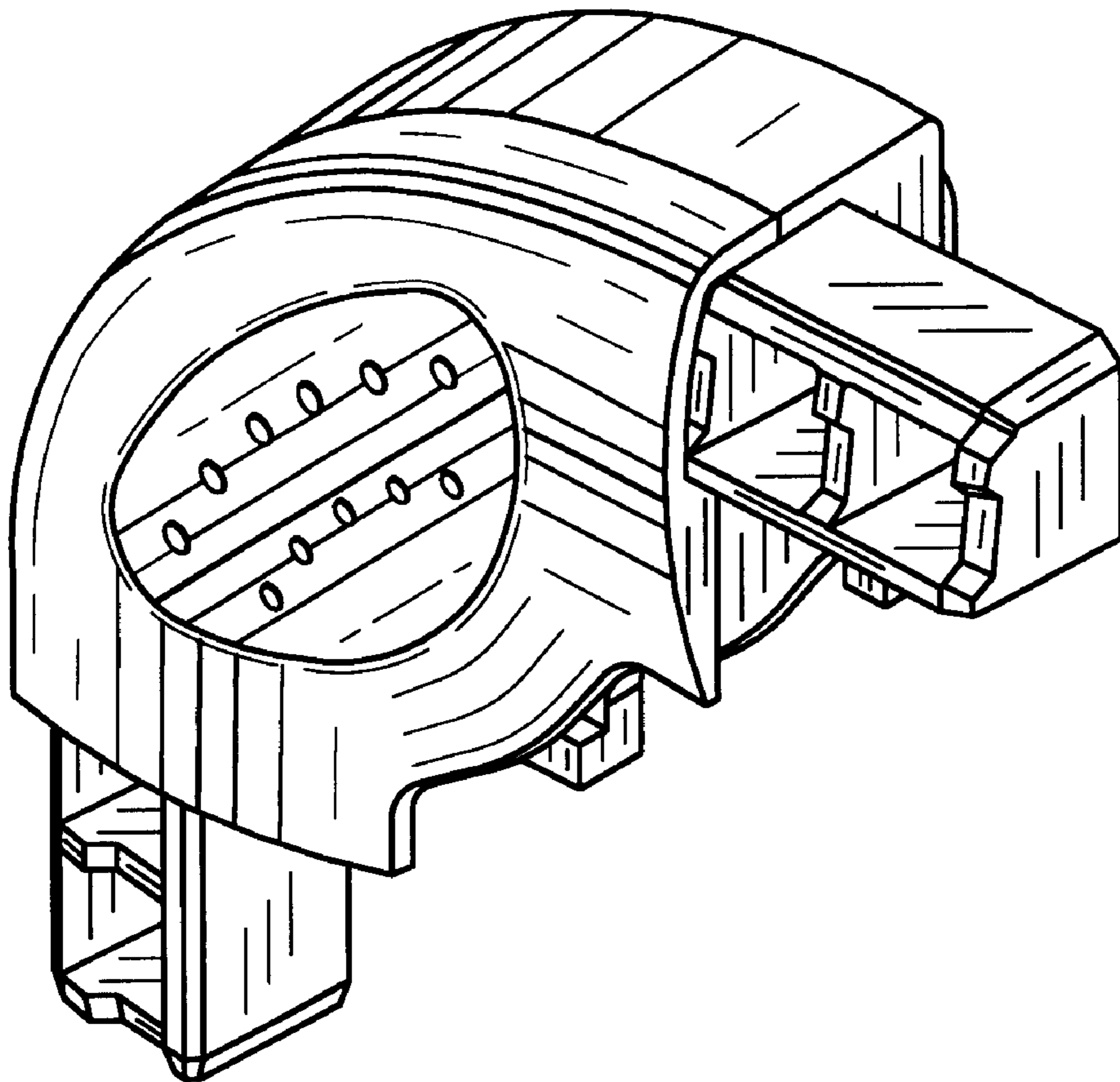
FIG. 2 is a rear view of the bulletin board frame corner embodying the invention.

FIG. 3 is a right side view of the bulletin board frame corner embodying the invention.

FIG. 4 is a left side view of the bulletin board frame corner embodying the invention; and,

FIG. 5 is a perspective view of the bulletin board frame corner embodying the invention.

**1 Claim, 1 Drawing Sheet**



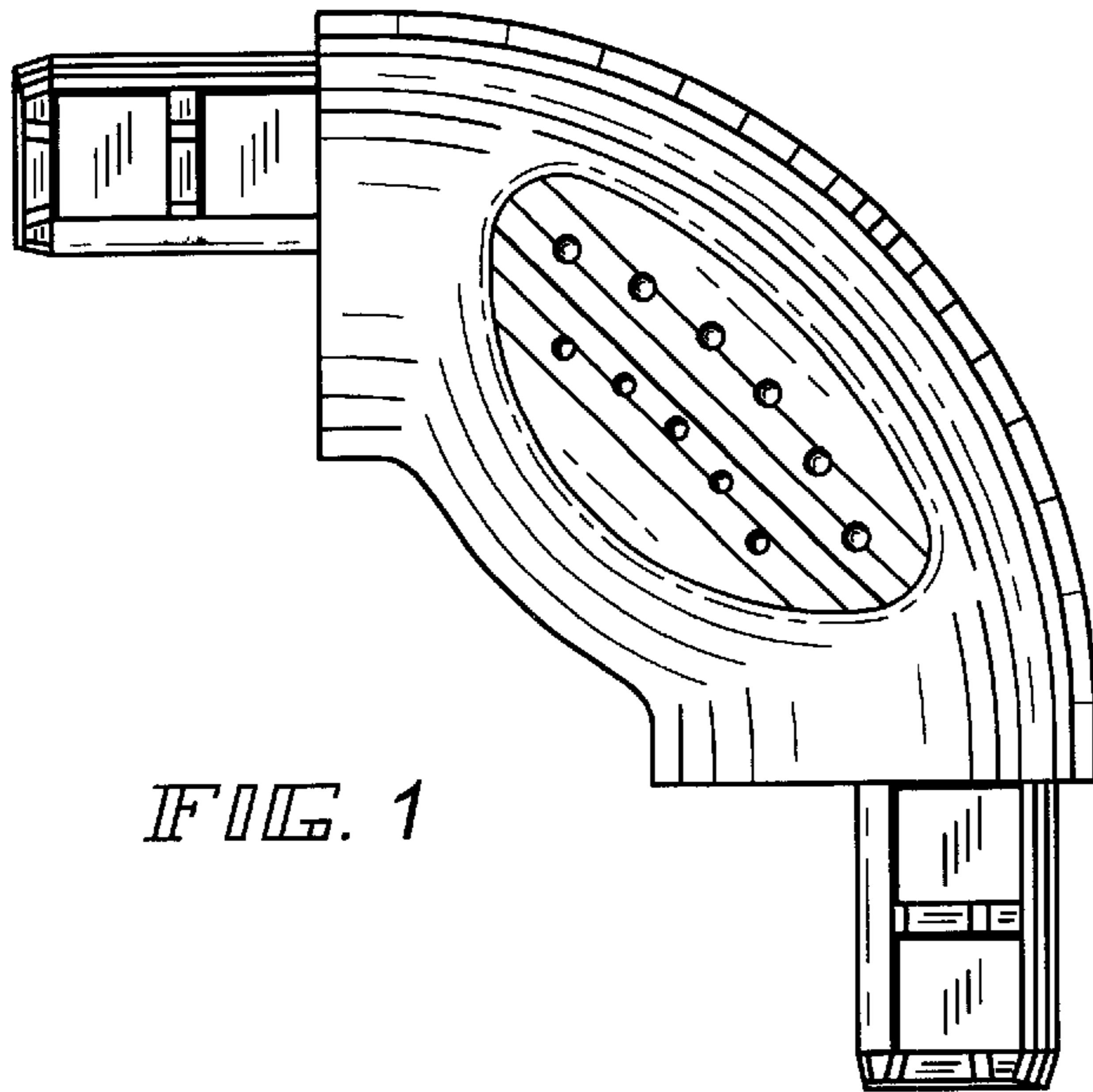


FIG. 1

FIG. 3

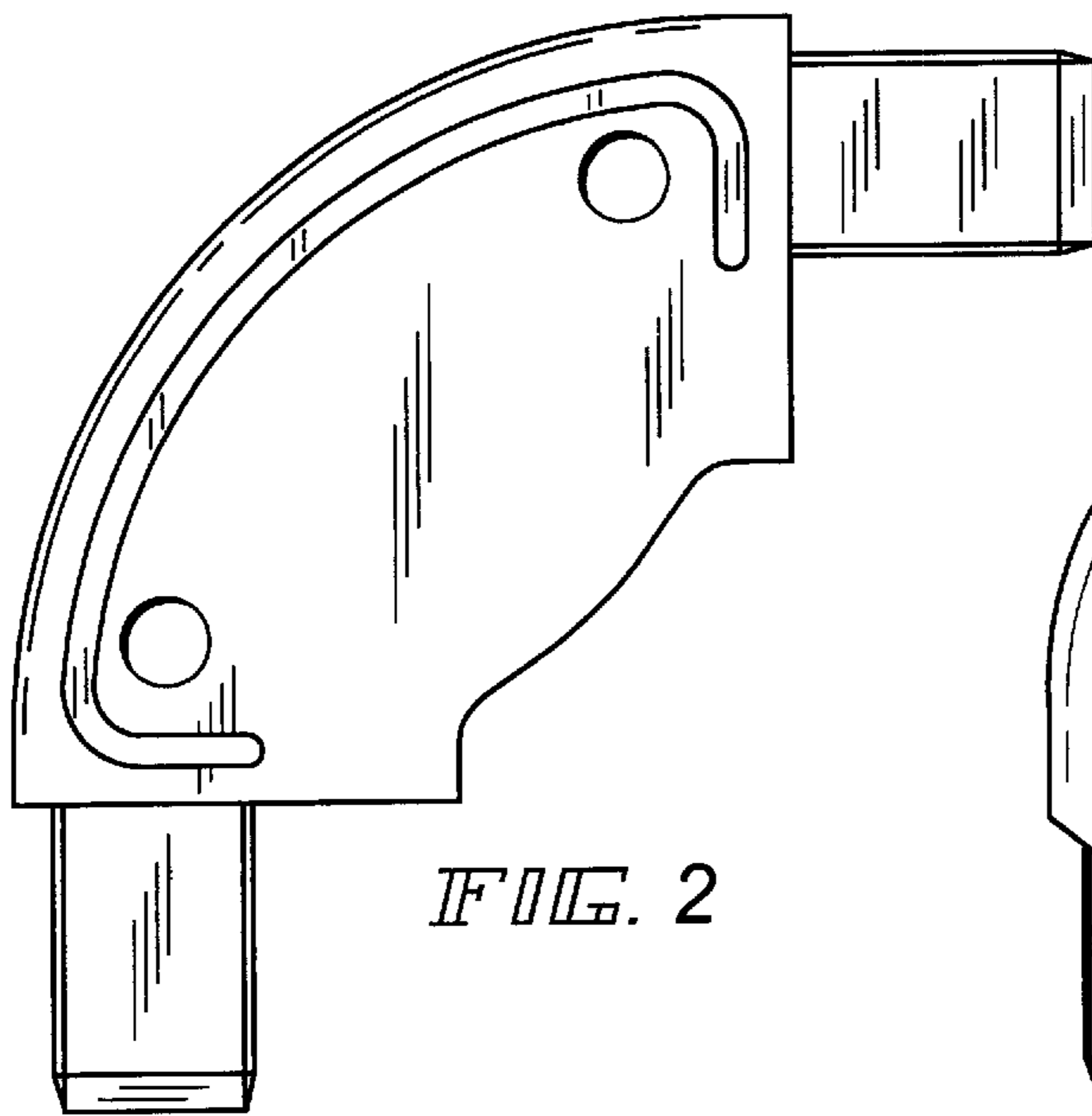
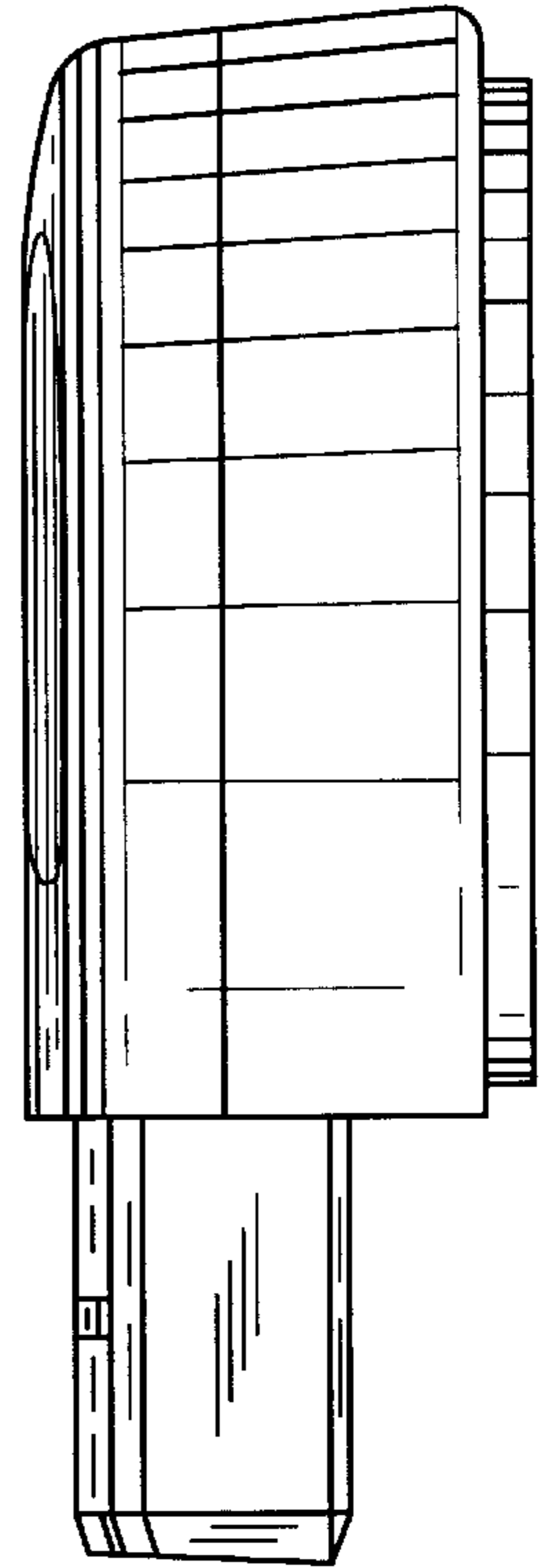


FIG. 2

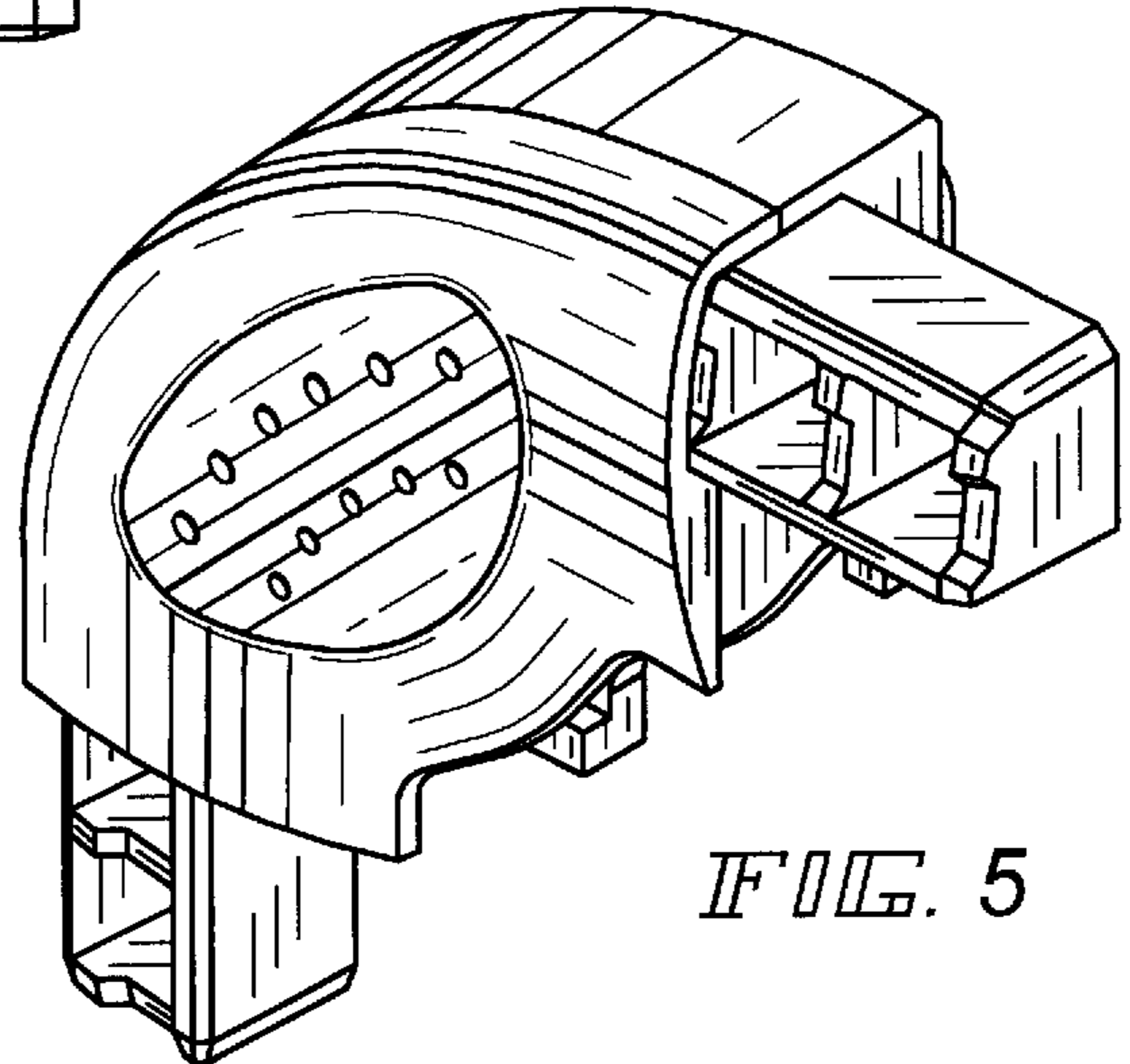


FIG. 5

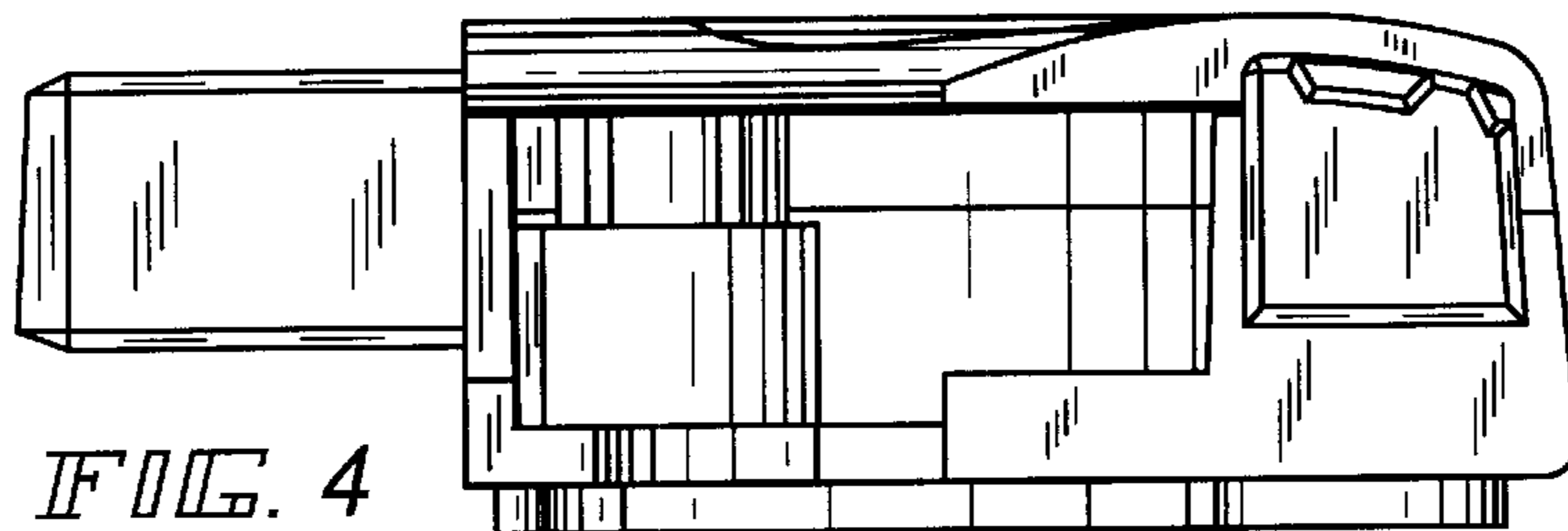


FIG. 4