



US00D465515S

(12) **United States Design Patent**
Hwang et al.

(10) **Patent No.:** **US D465,515 S**

(45) **Date of Patent:** **** Nov. 12, 2002**

(54) **INKJET PRINTER WITH SHEET FEEDER**

(75) Inventors: **Peter G. Hwang**, Vancouver, WA (US);
Gary T. Strowe, Vancouver, WA (US);
Raymond C. Sherman, Camas, WA
(US); **Jeffrey J. Grange**, Brush Prairie,
WA (US)

(73) Assignee: **Hewlett-Packard Company**, Palo Alto,
CA (US)

(**) Term: **14 Years**

(21) Appl. No.: **29/151,891**

(22) Filed: **Oct. 26, 2001**

(51) **LOC (7) Cl.** **14-02**

(52) **U.S. Cl.** **D18/55**

(58) **Field of Search** D18/50, 54-55,
D18/36-38; D14/462-470; 400/613, 613.1-613.4,
691-694, 690.1-690.4

(56) **References Cited**

U.S. PATENT DOCUMENTS

D375,119 S * 10/1996 Pangburn D18/50

D439,274 S * 3/2001 Dwyer et al. D18/55

D443,296 S * 6/2001 Dwyer et al. D18/55

D449,334 S * 10/2001 Dwyer et al. D18/55

D460,780 S * 7/2002 Dwyer et al. D18/55

* cited by examiner

Primary Examiner—Cathy Anne MacCormac

(74) *Attorney, Agent, or Firm*—Christopher B. Miller

(57) **CLAIM**

The ornamental design for an inkjet printer with sheet feeder, substantially as shown and described.

DESCRIPTION

FIG. 1 is a perspective view of an inkjet printer with sheet feeder in accordance with the present invention;

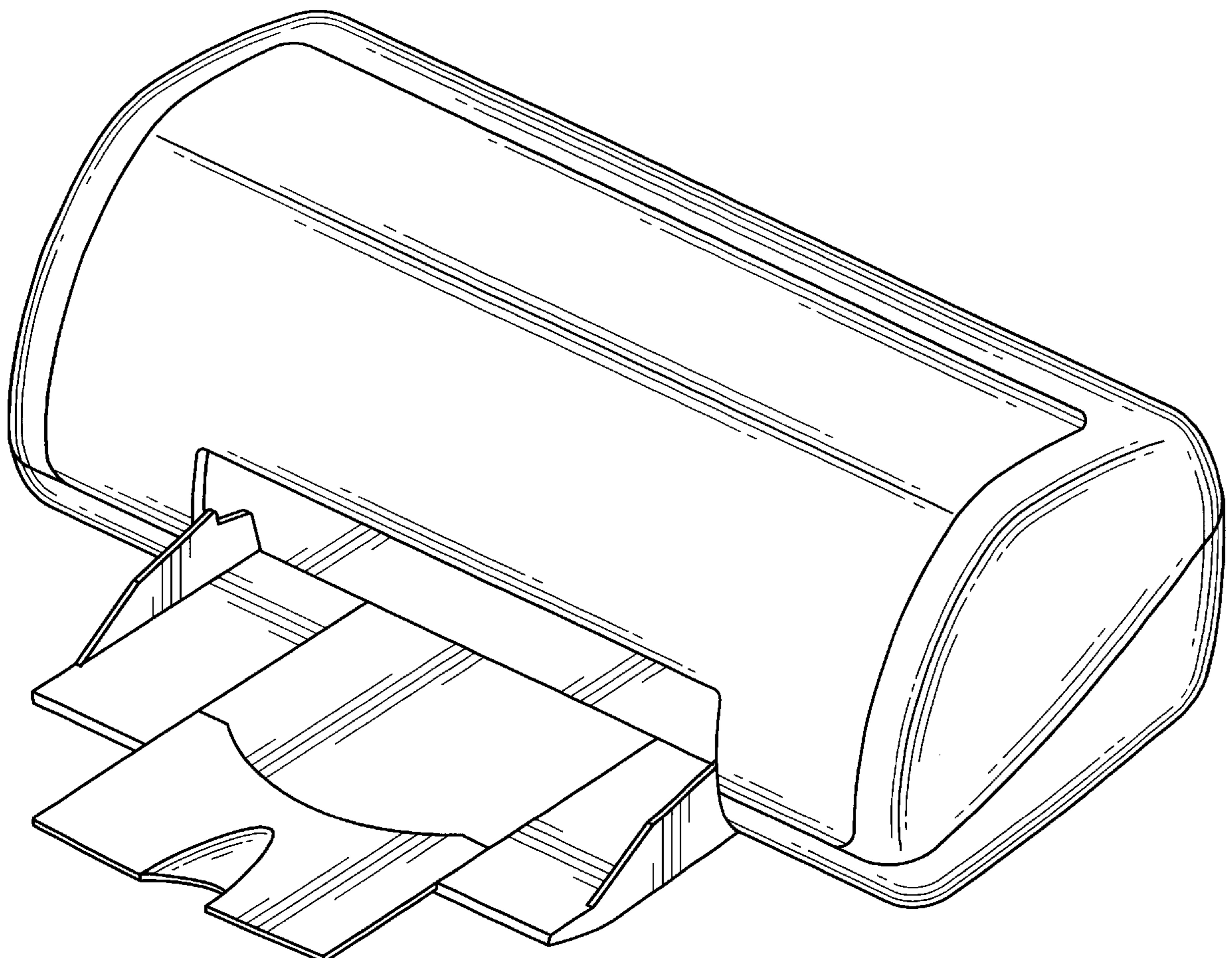
FIG. 2 is a top plan view thereof;

FIG. 3 is a front elevational view thereof;

FIG. 4 is a rear elevational view thereof; and,

FIG. 5 is a left side elevational view and mirror image of a right side elevational view thereof.

1 Claim, 4 Drawing Sheets



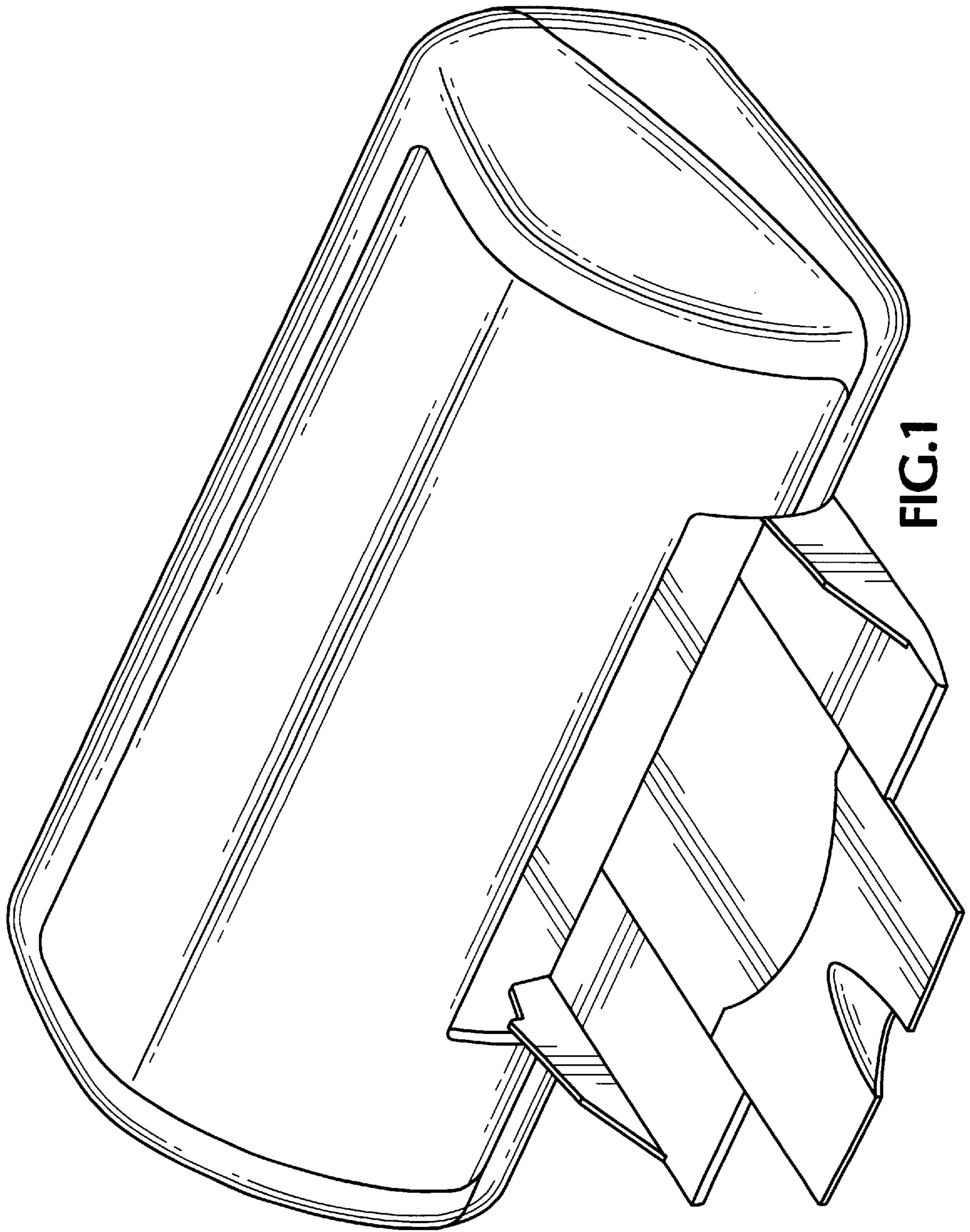
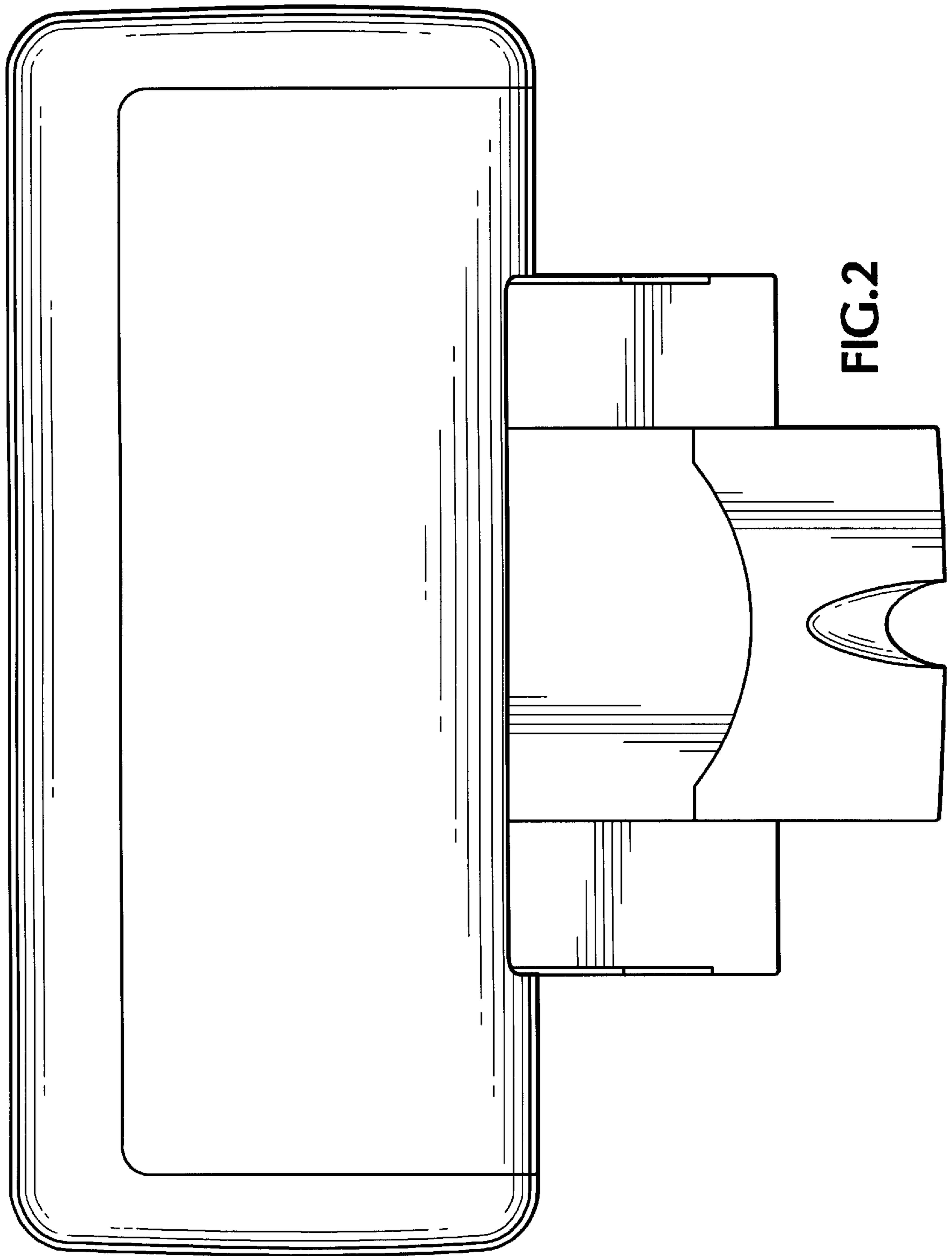


FIG.1



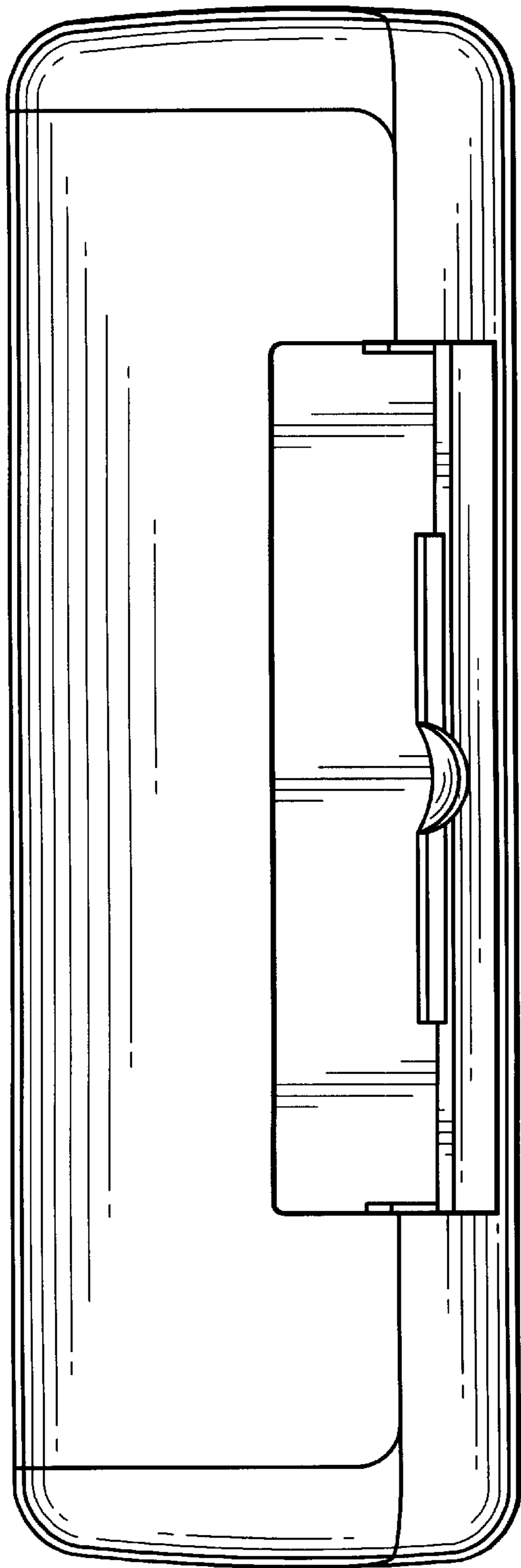


FIG. 3

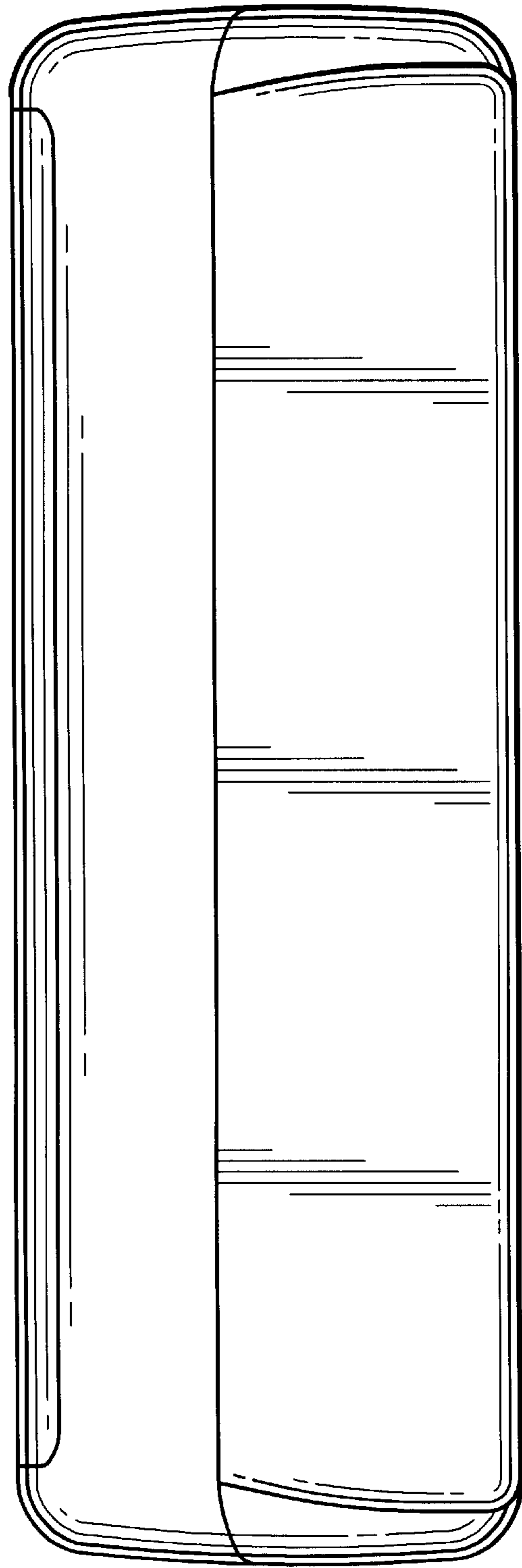


FIG. 4

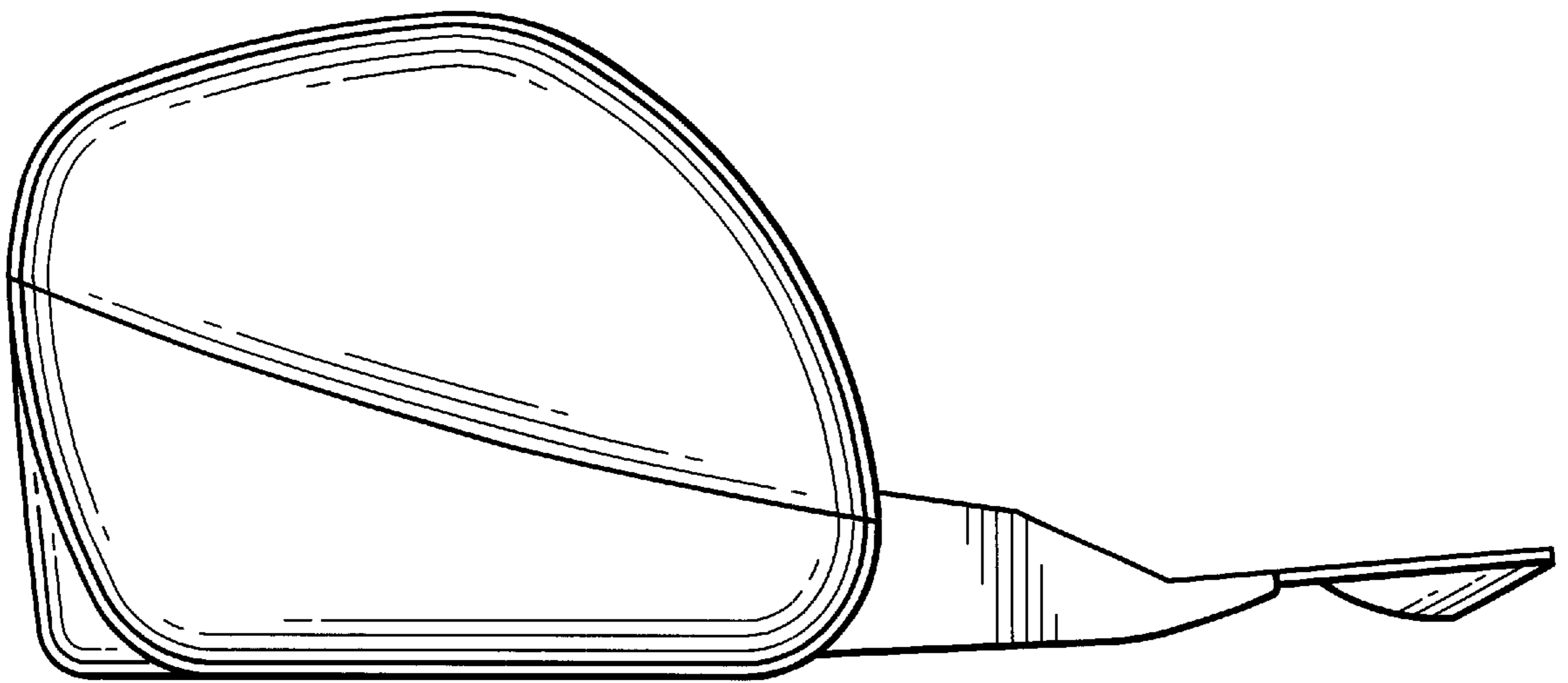


FIG.5