



US00D465514S

(12) **United States Design Patent**
Toh et al.

(10) **Patent No.:** **US D465,514 S**

(45) **Date of Patent:** **** Nov. 12, 2002**

(54) **PRINTER**

(75) Inventors: **Cher Lek Toh**, Singapore (SG); **Joo Beng Koh**, Singapore (SG); **Peter Brandenburg**, San Francisco, CA (US); **James Choe**, Calabasas, CA (US); **Mark Westcott**, Newbury Park, CA (US)

(73) Assignee: **Hewlett-Packard Company**, Palo Alto, CA (US)

(**) Term: **14 Years**

(21) Appl. No.: **29/145,909**

(22) Filed: **Jul. 31, 2001**

(51) **LOC (7) Cl.** **14-02**

(52) **U.S. Cl.** **D18/55**

(58) **Field of Search** D18/36-37, 50,
D18/54-55; 400/613, 613.1-613.4, 691-694,
690.1-690.4

(56) **References Cited**

U.S. PATENT DOCUMENTS

D373,595 S	*	9/1996	Askren et al.	D18/50
D375,119 S	*	10/1996	Pangburn	D18/50
D412,013 S	*	7/1999	Karten et al.	D18/50
D433,443 S	*	11/2000	Ito et al.	D18/55
D443,296 S	*	6/2001	Dwyer et al.	D18/55
D444,812 S	*	7/2001	Toh et al.	D18/55
D449,066 S	*	10/2001	Dwyer et al.	D18/55
D449,334 S	*	10/2001	Dwyer et al.	D18/55
D451,540 S	*	12/2001	Tokuda et al.	D18/55

* cited by examiner

Primary Examiner—Cathy Anne MacCormac

(57) **CLAIM**

The ornamental design for a printer, as shown and described.

DESCRIPTION

FIG. 1 is a perspective view of a printer showing our new design;

FIG. 2 is a front elevational view thereof;

FIG. 3 is a top plan view thereof;

FIG. 4 is a rear elevational view thereof;

FIG. 5 is a bottom plan view thereof;

FIG. 6 is a left side elevational view thereof;

FIG. 7 is a right side elevational view thereof;

FIG. 8 is a perspective view of a second embodiment of FIG. 1;

FIG. 9 is a front elevational view of FIG. 8;

FIG. 10 is a top plan view of FIG. 8, the rear, bottom, left and right sides are identical to FIGS. 4, 5, 6, and 7 of the first embodiment;

FIG. 11 is a perspective view of a third embodiment of FIG. 1;

FIG. 12 is a front elevational view of FIG. 11;

FIG. 13 is a top plan view of FIG. 11;

FIG. 14 is a rear elevational view of FIG. 11;

FIG. 15 is a bottom plan view of FIG. 11;

FIG. 16 is a left side elevational view of FIG. 11;

FIG. 17 is a right side elevational view of FIG. 11;

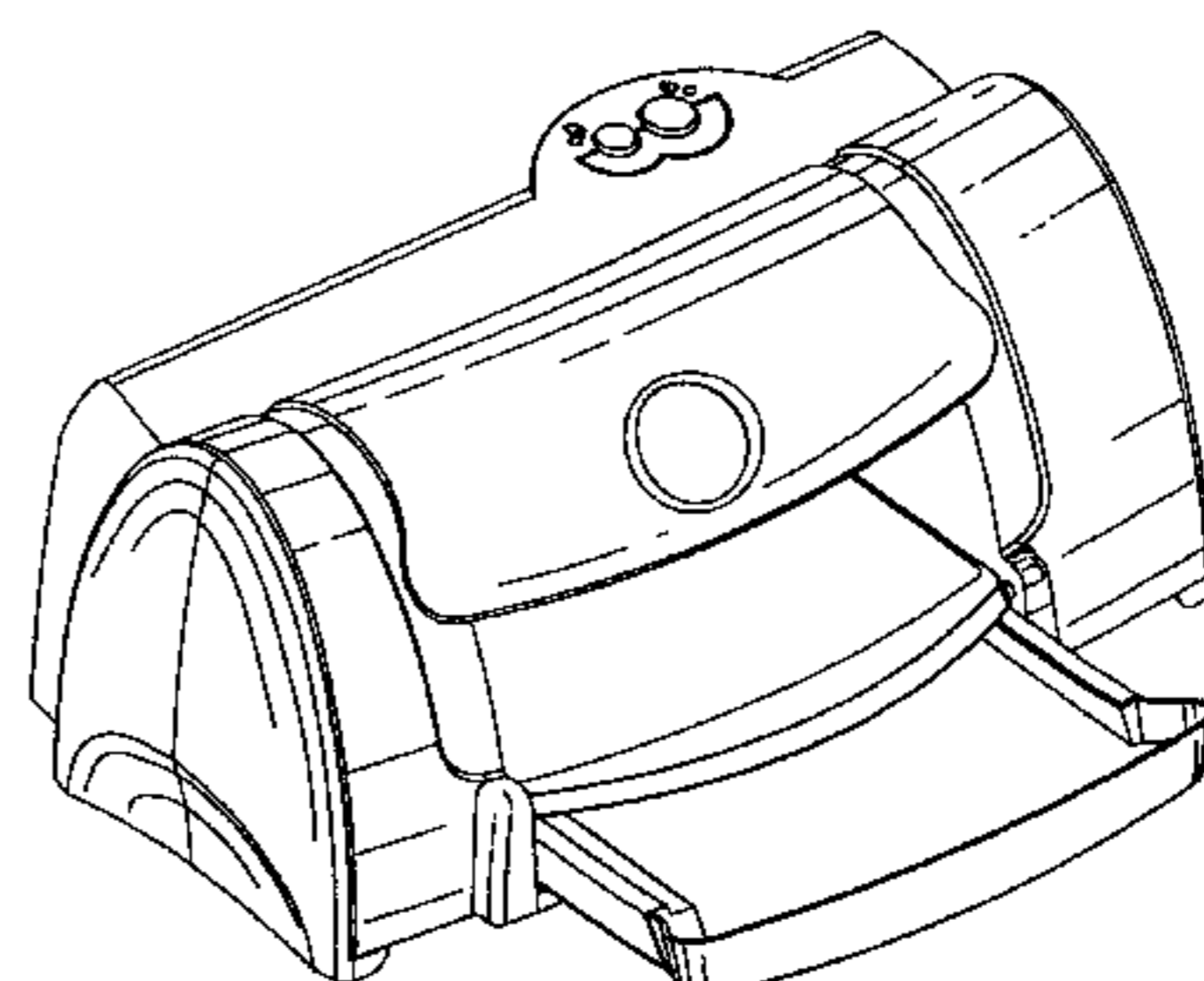
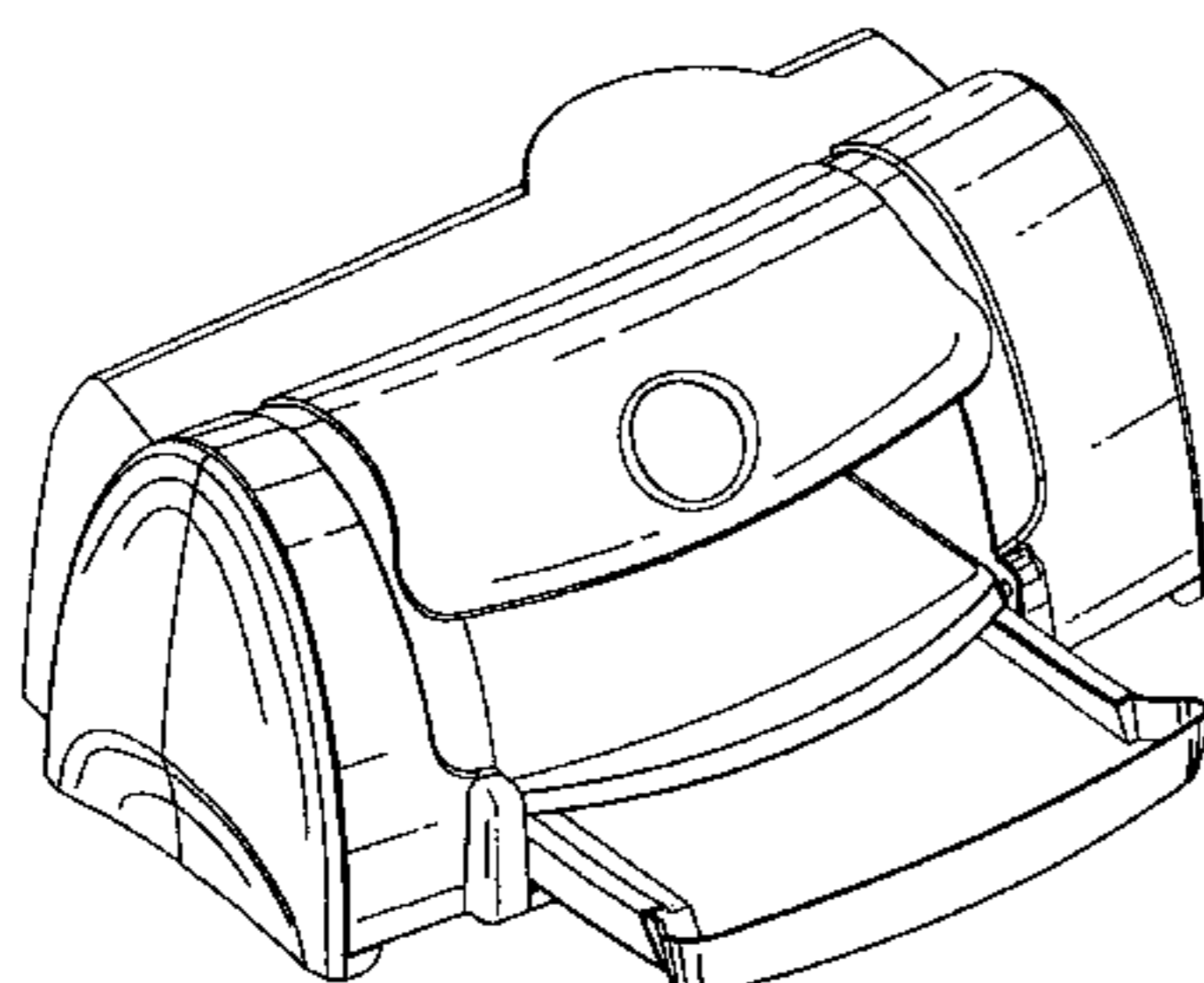
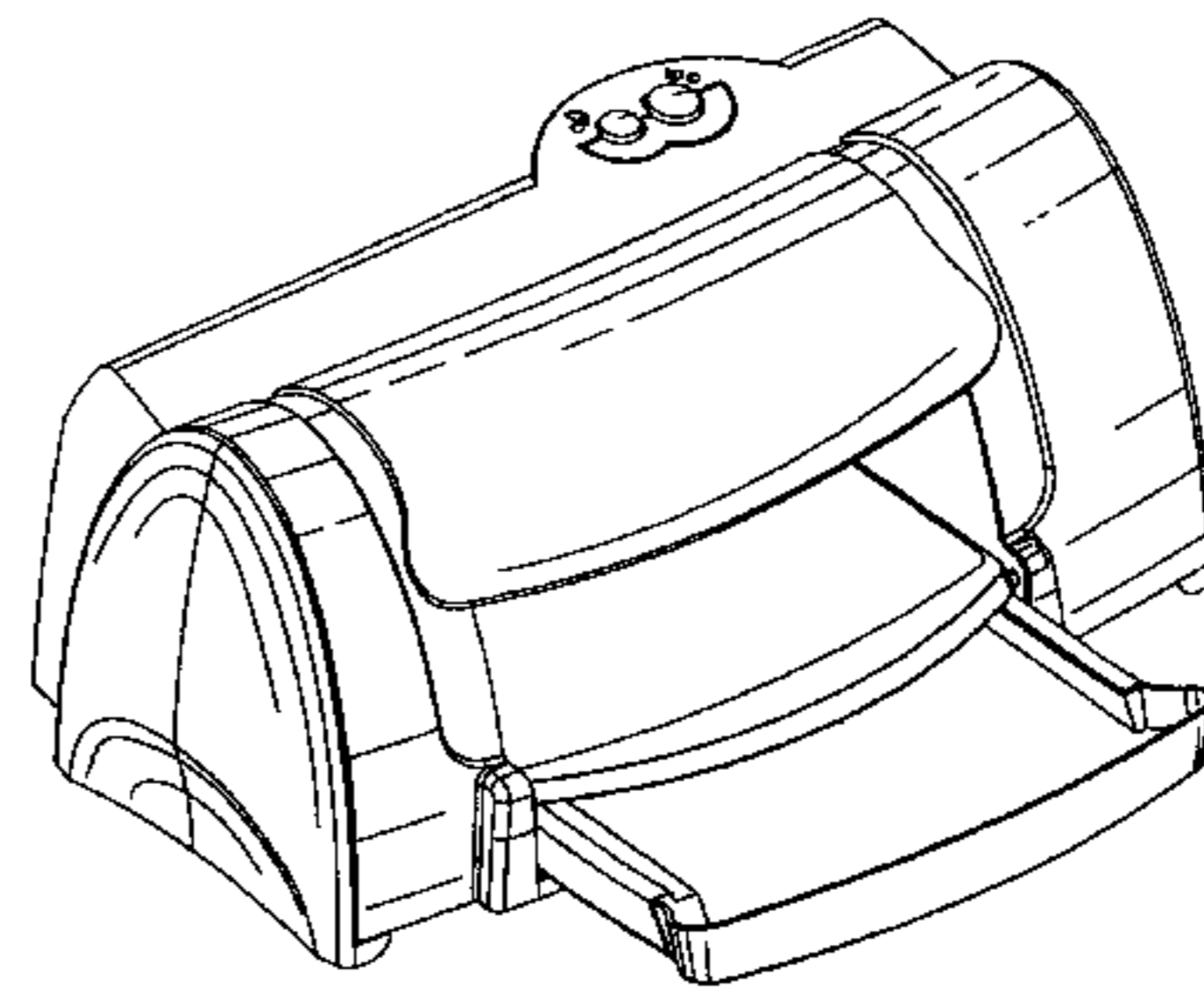
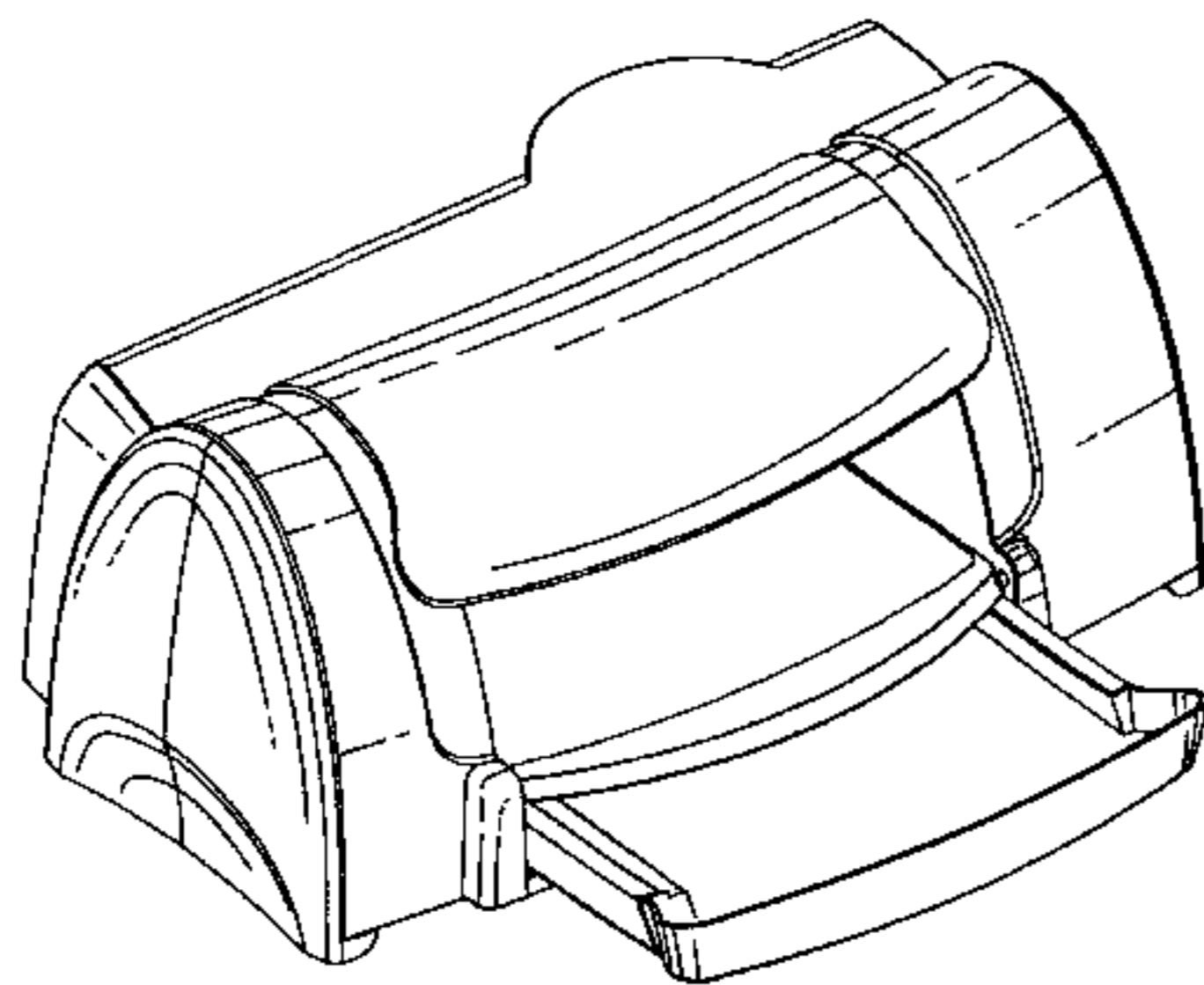
FIG. 18 is a perspective view of a fourth embodiment of FIG. 1;

FIG. 19 is a front elevational view of FIG. 18;

FIG. 20 is a top plan view of FIG. 18, the rear, bottom, left and right sides are identical to FIGS. 14, 15, 16 and 17 of the third embodiment.

The undisclosed views of the first embodiment thereof are identical to those of the second embodiment; the undisclosed views of the third embodiment thereof are identical to those of the fourth embodiment.

1 Claim, 20 Drawing Sheets



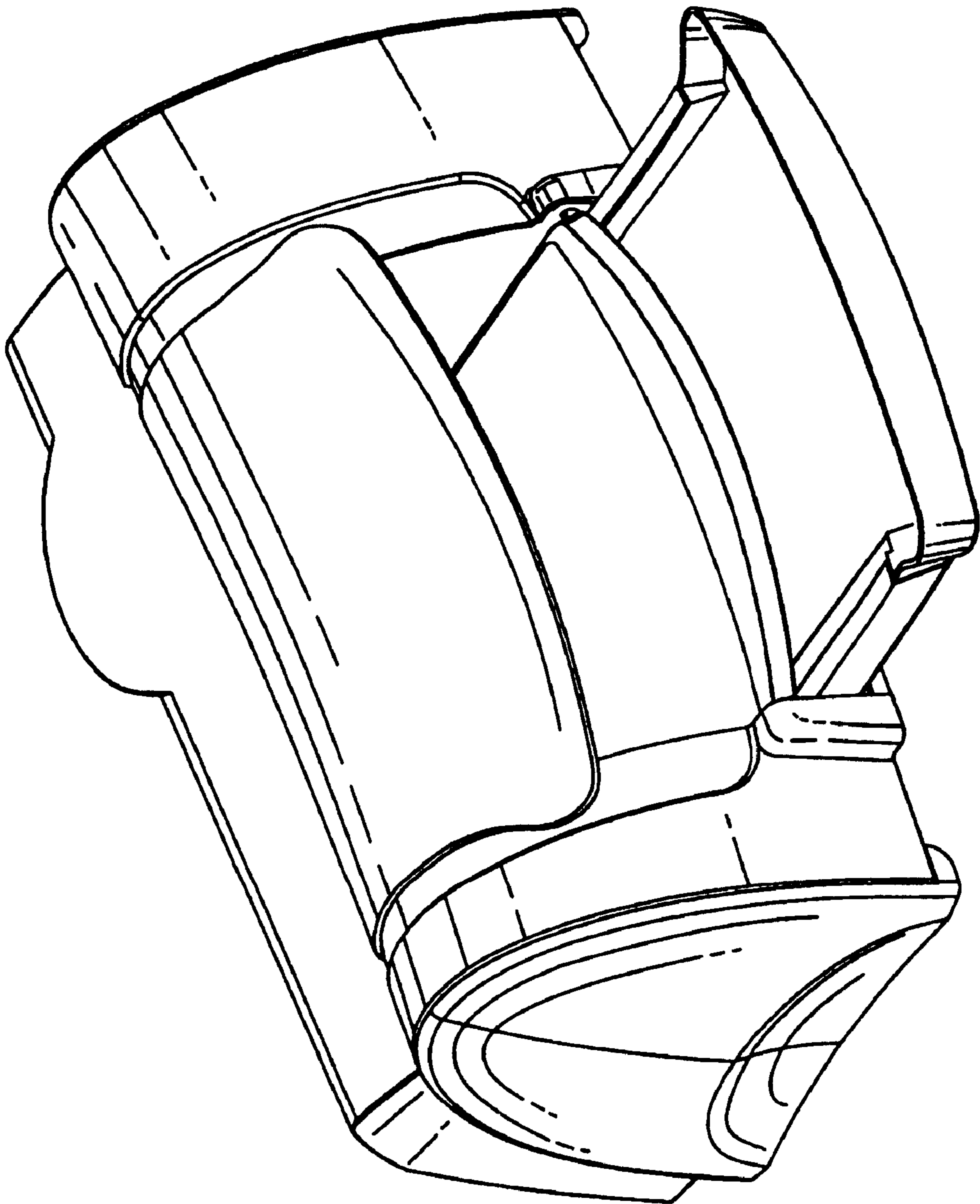


Figure 1

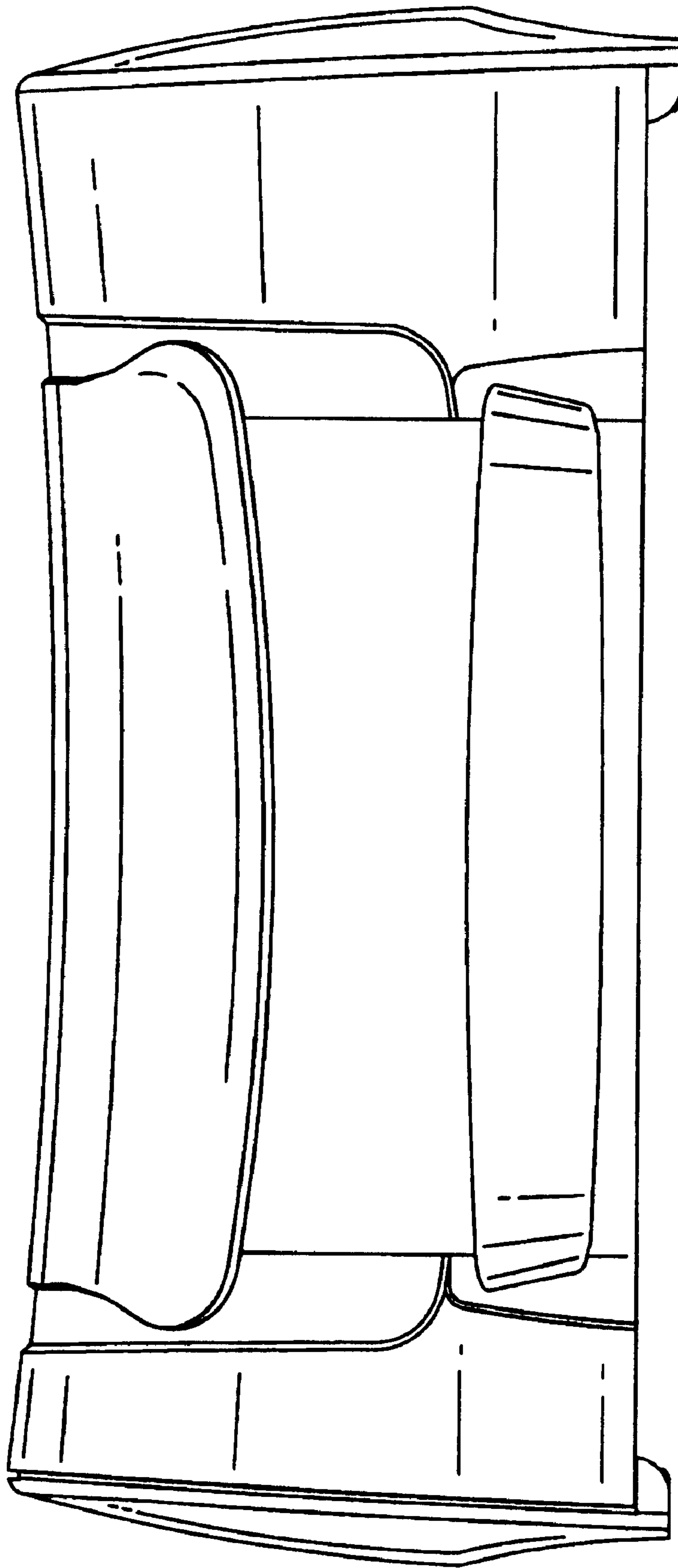


Figure 2

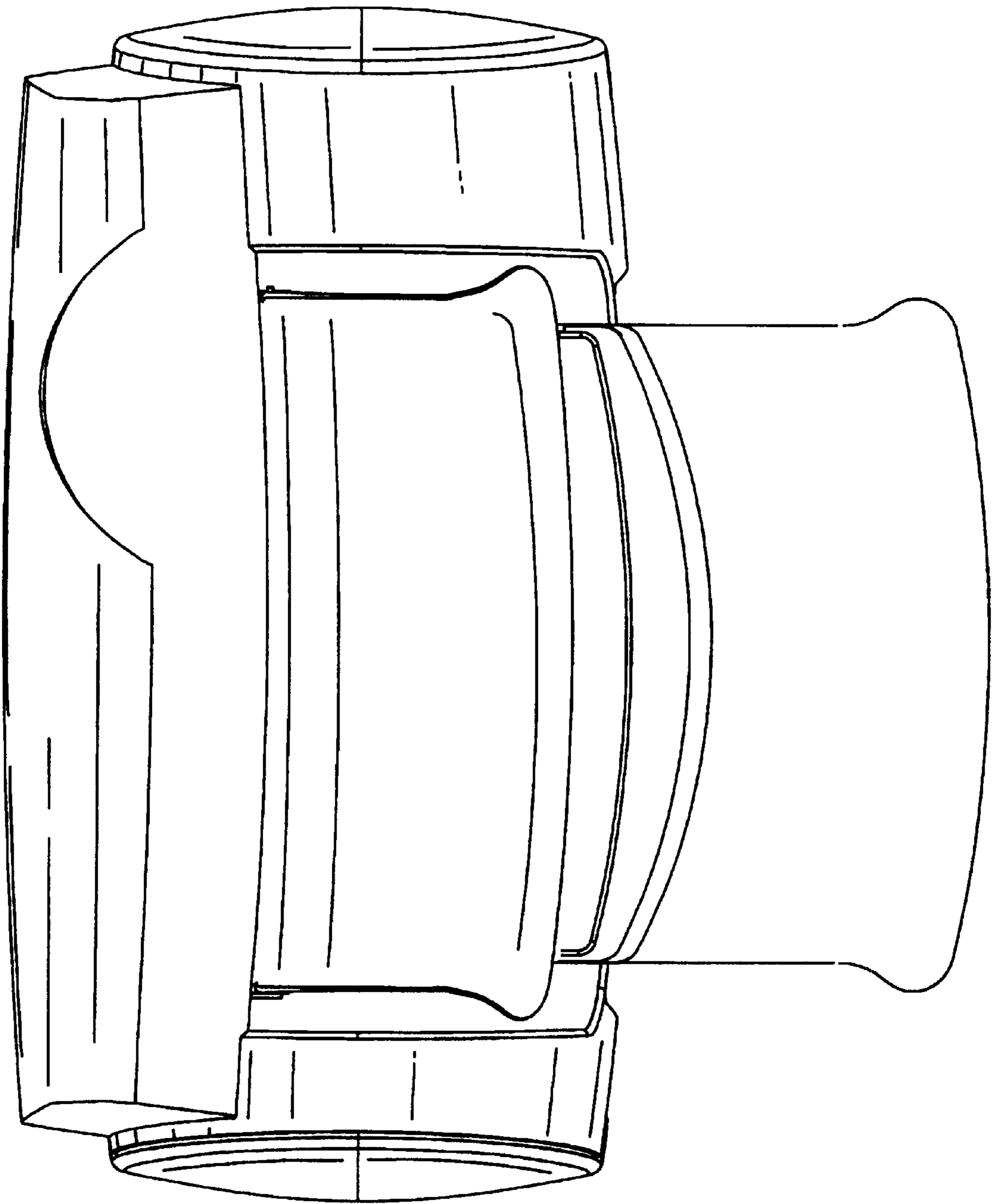


Figure 3

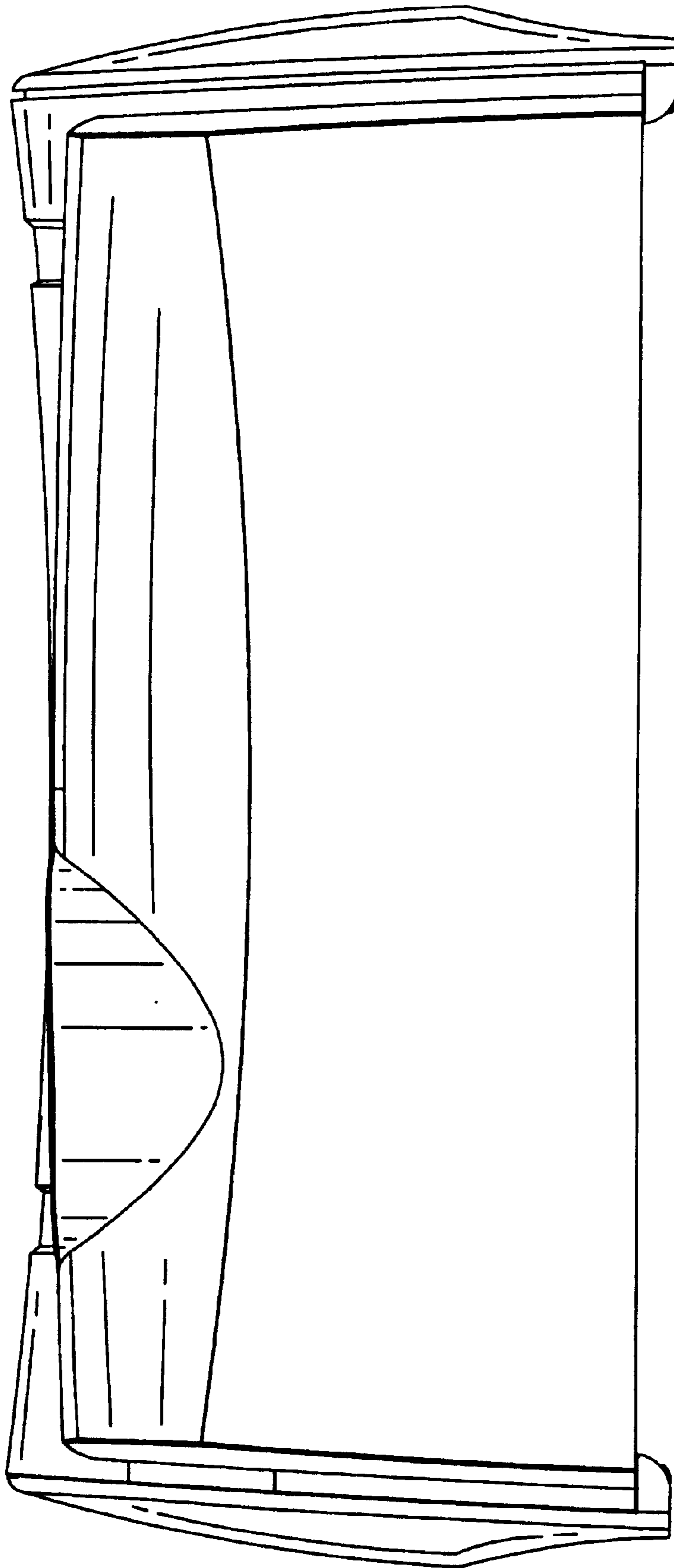


Figure 4

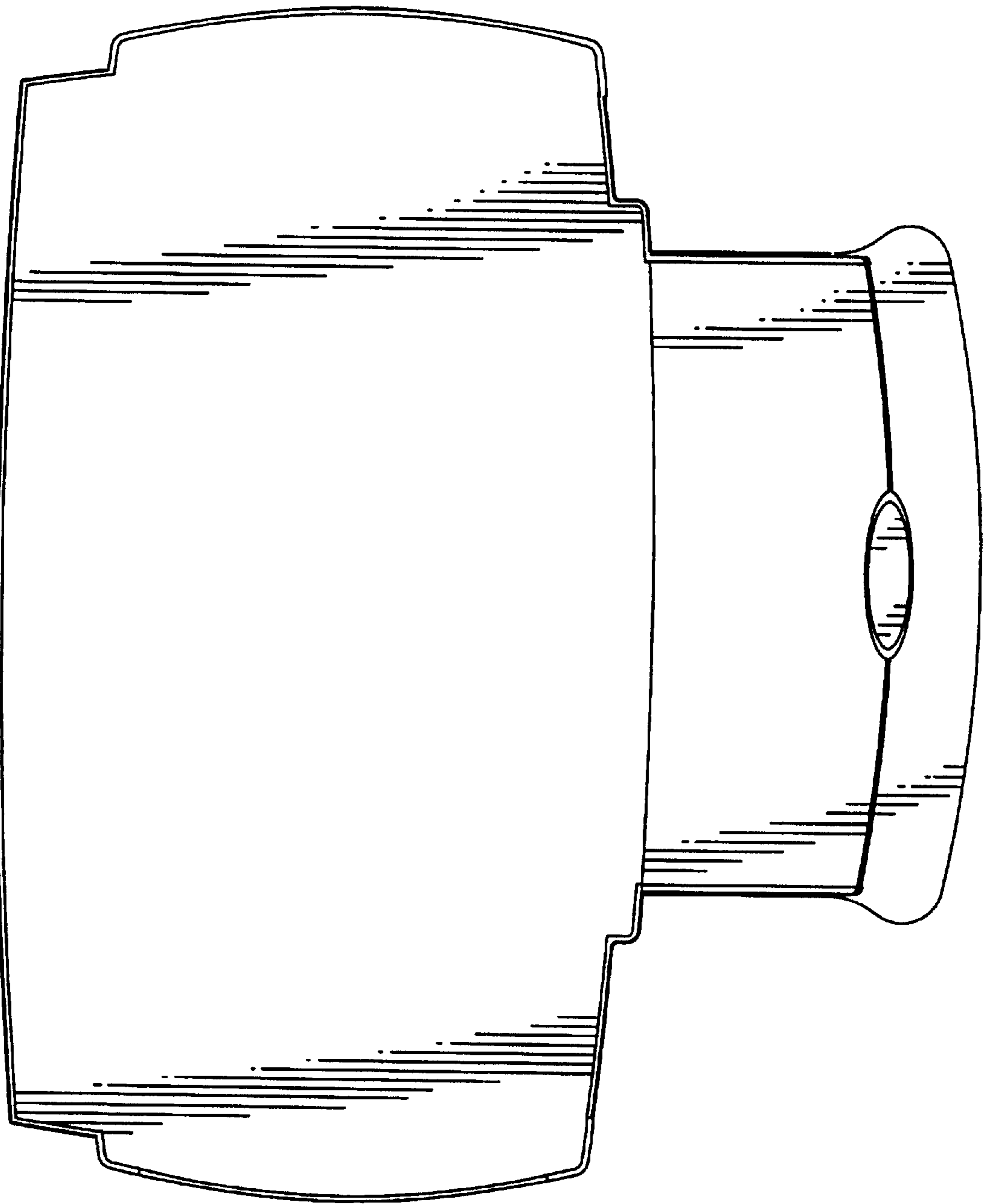


Figure 5

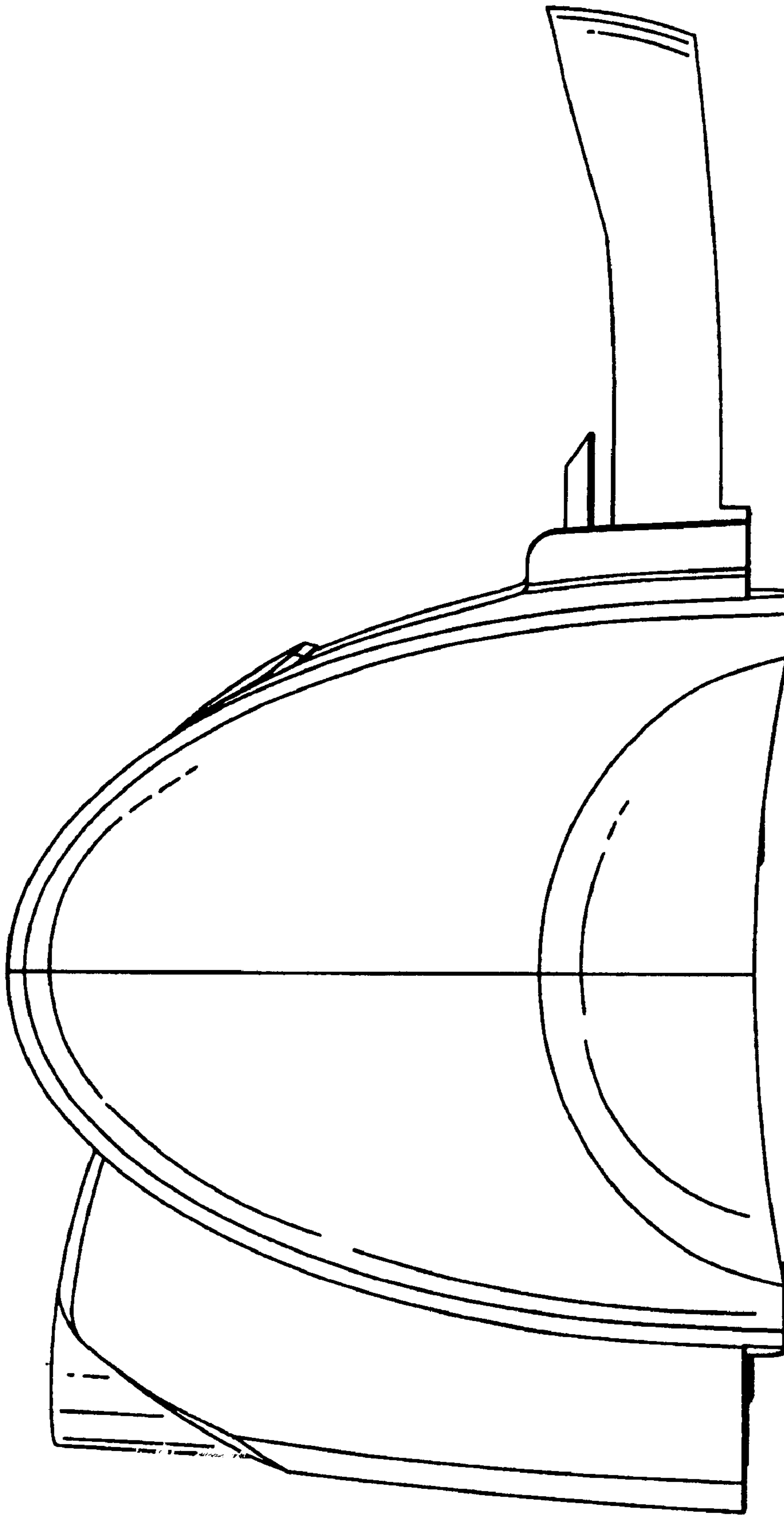


Figure 6

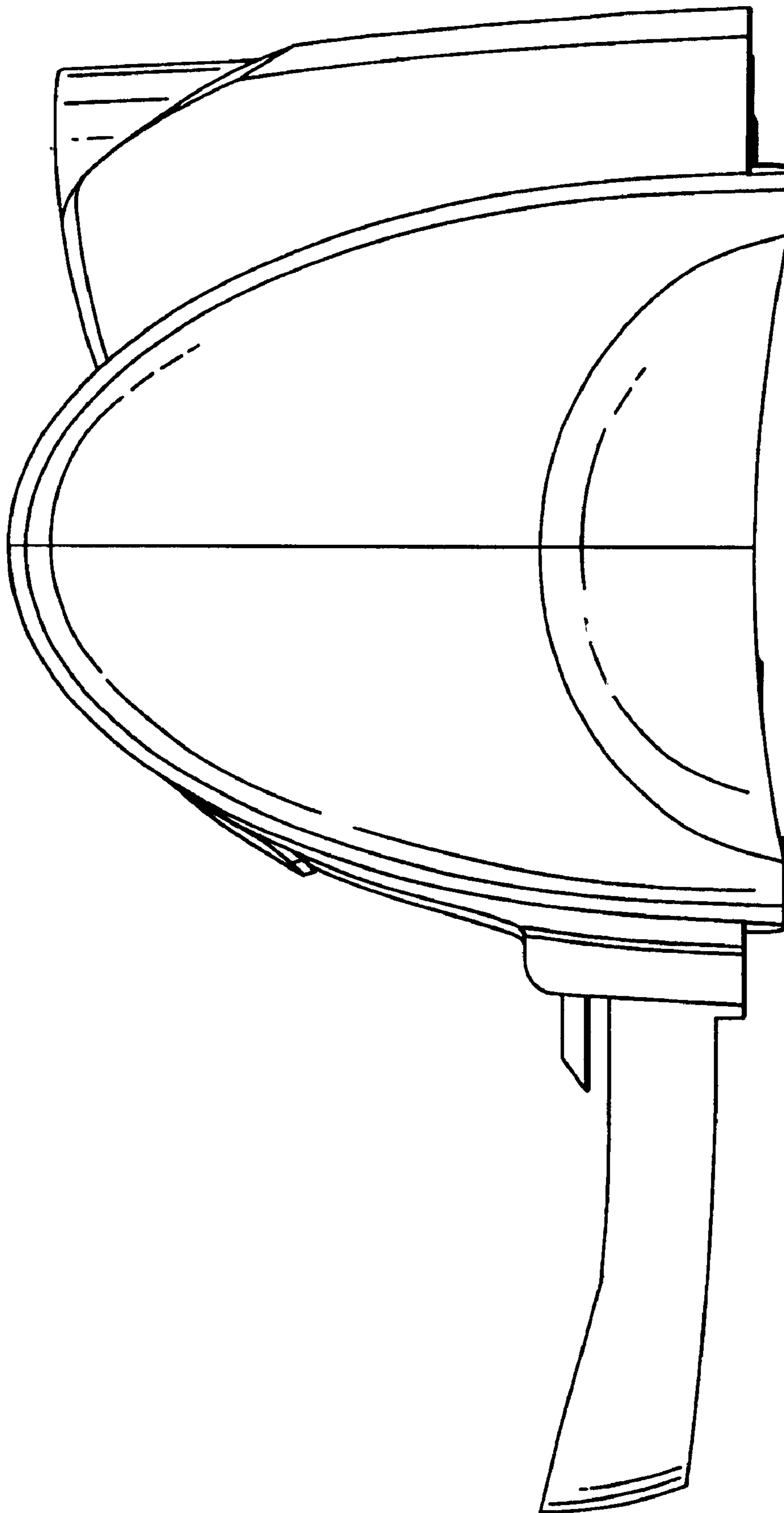


Figure 7

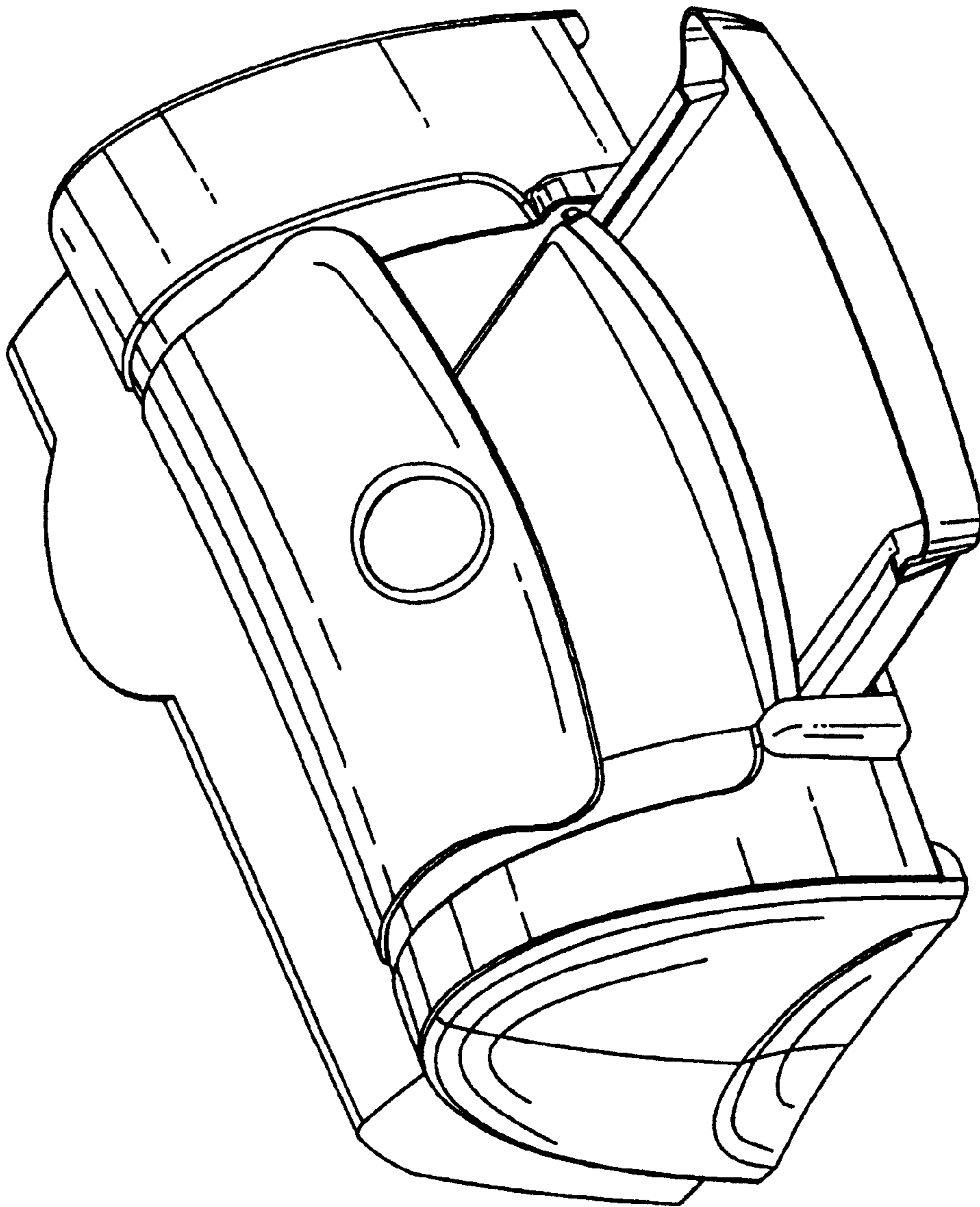


Figure 8

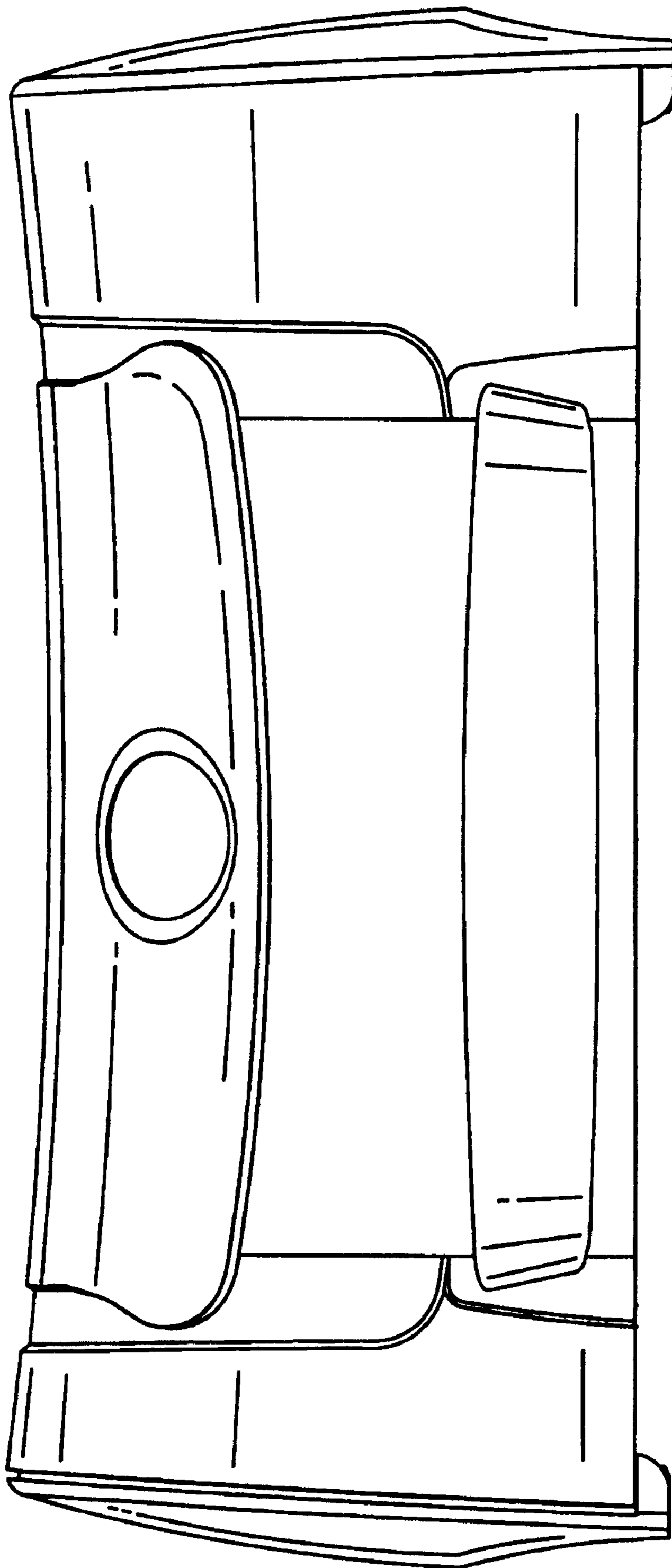


Figure 9

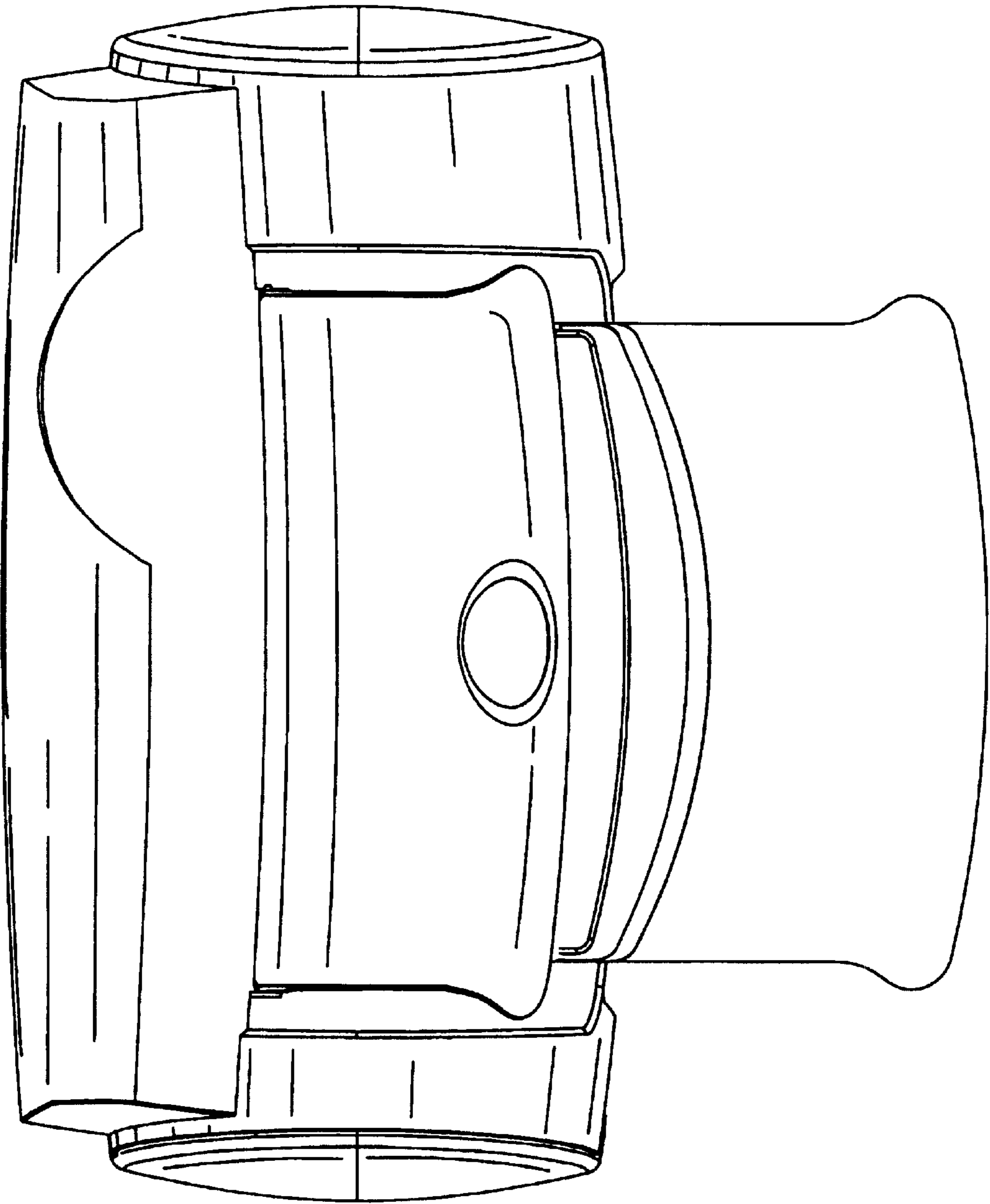


Figure 10

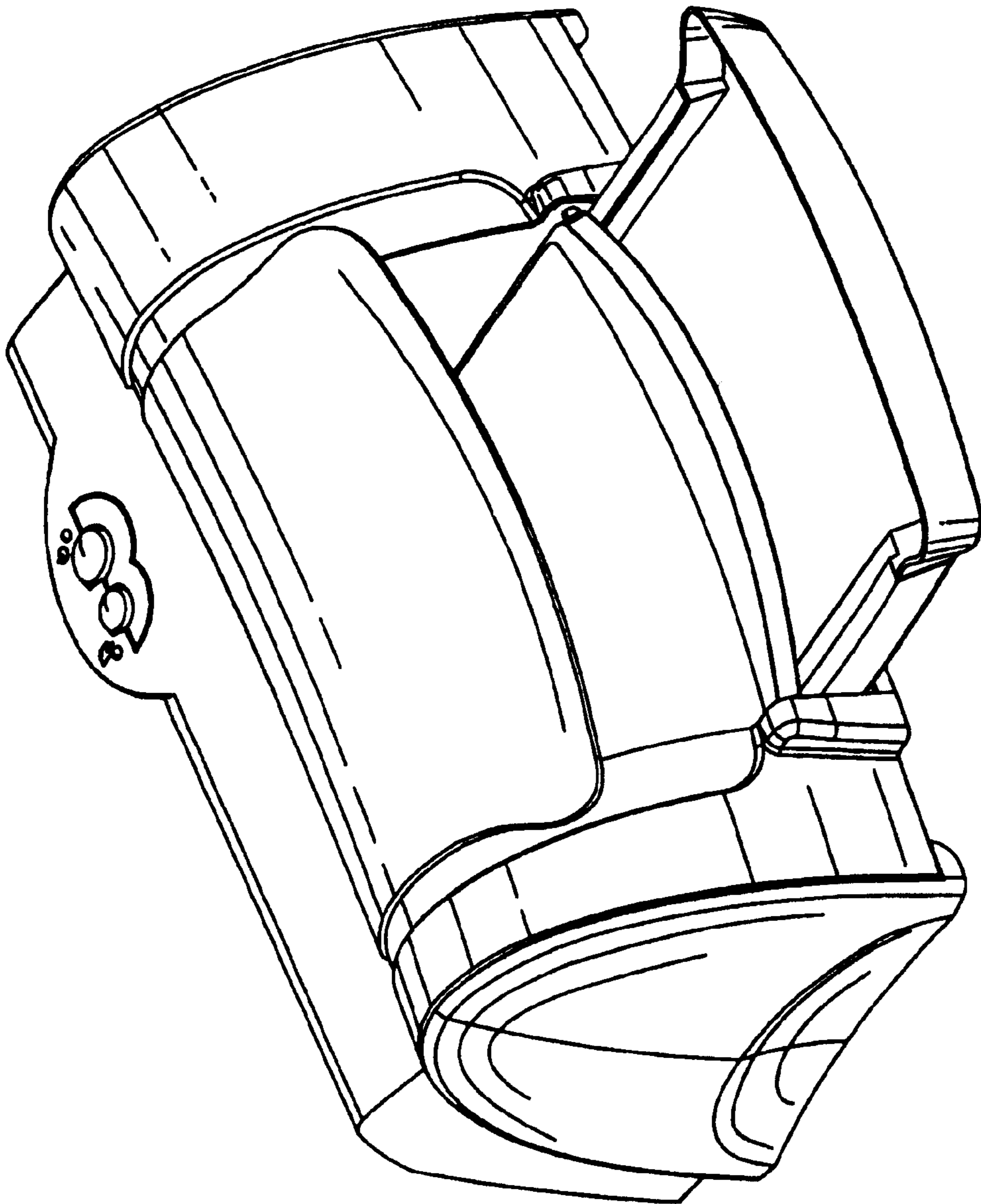


Figure 11

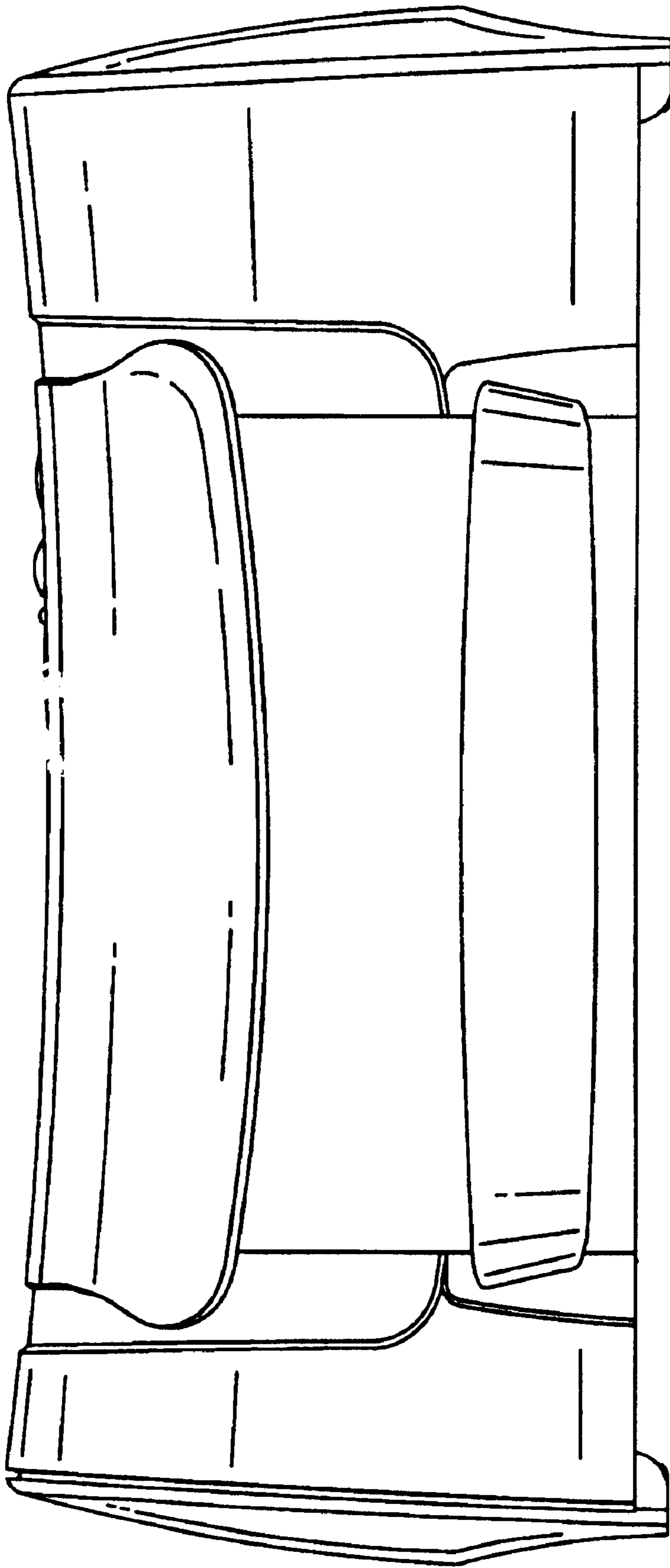


Figure 12

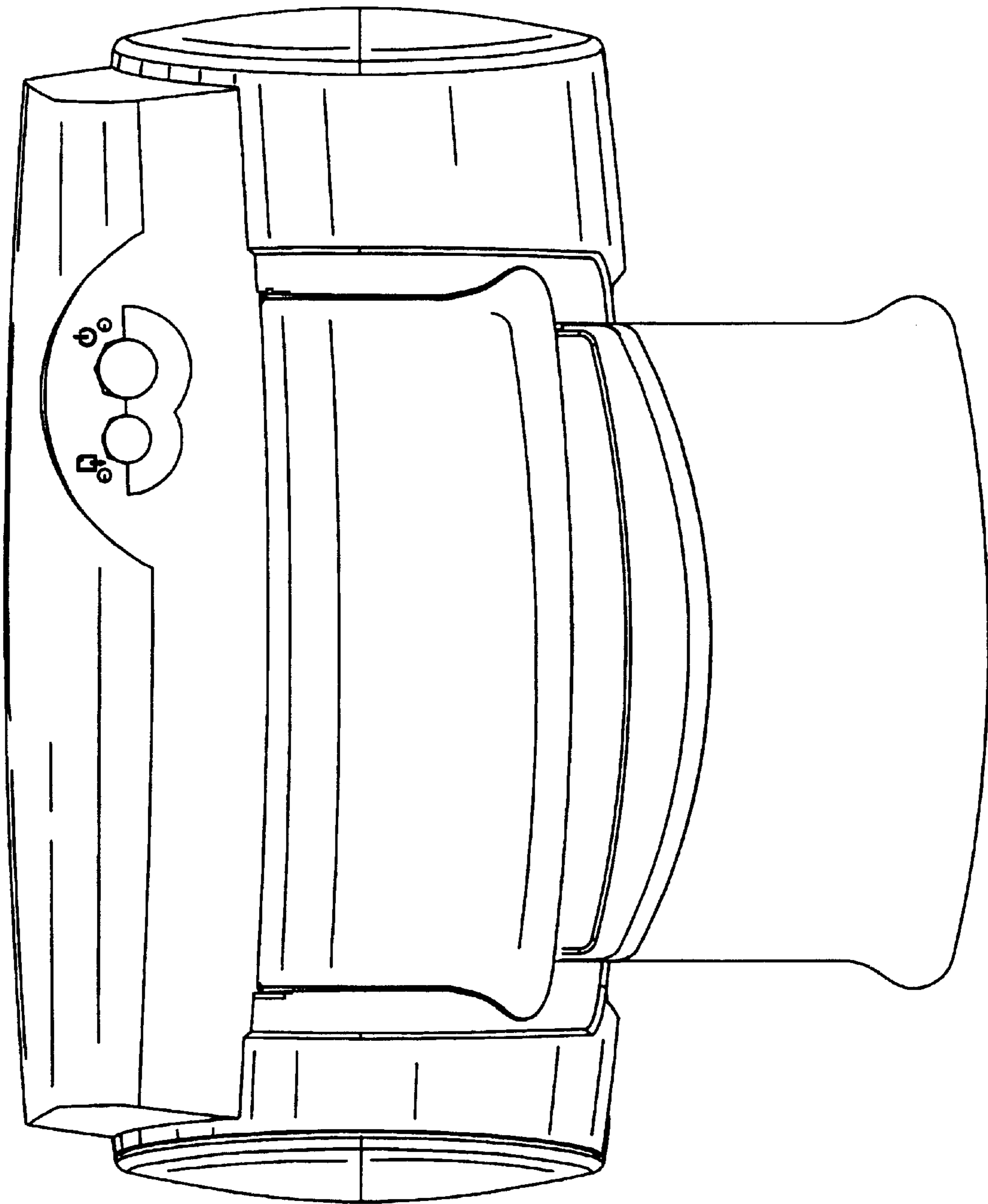


Figure 13

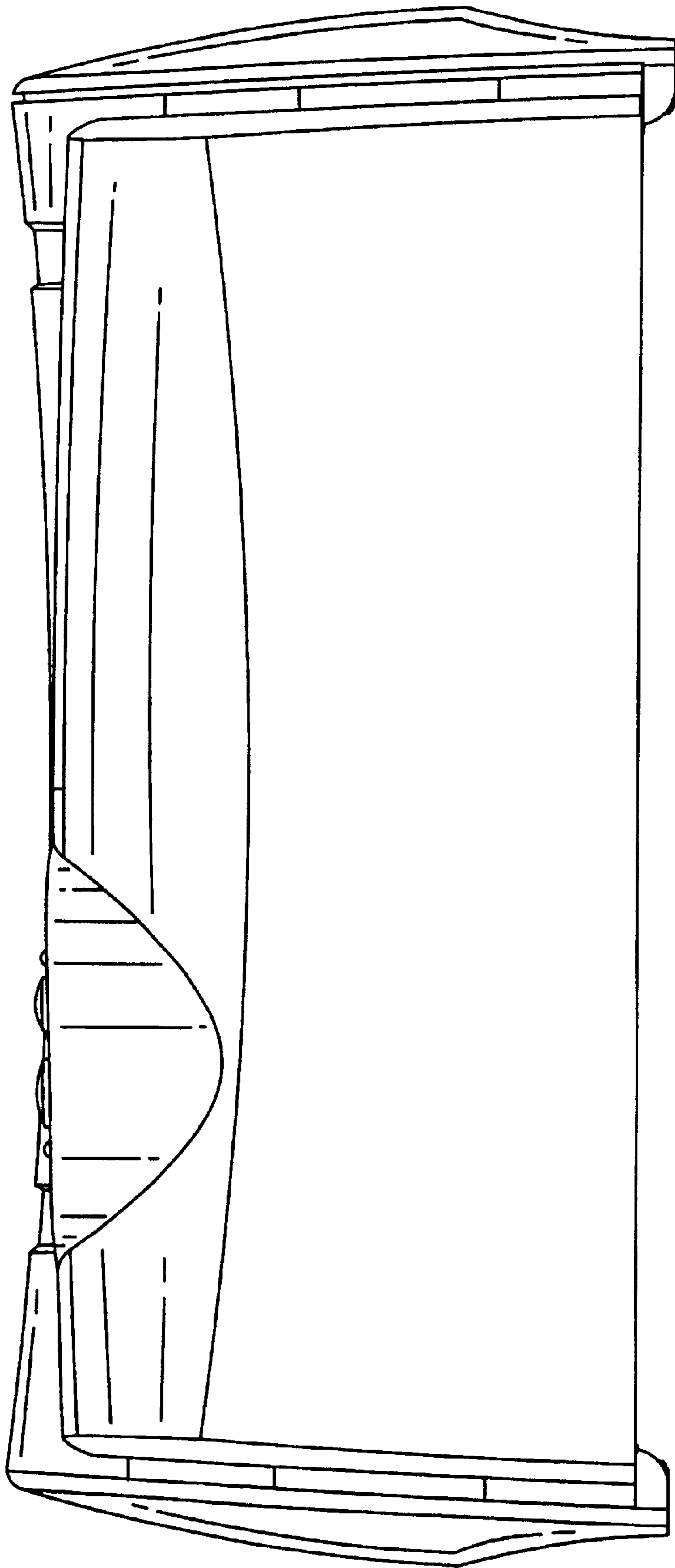


Figure 14

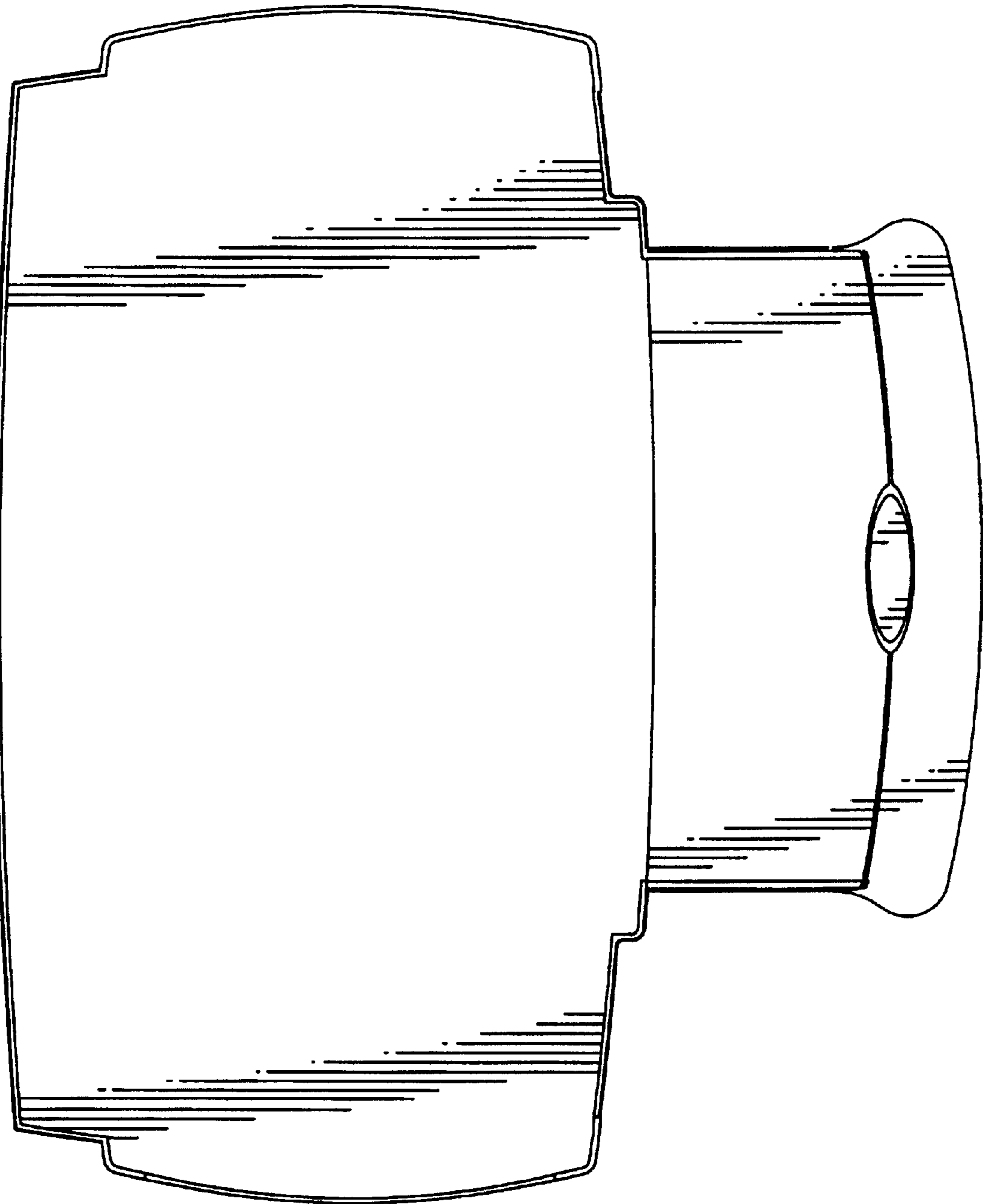


Figure 15

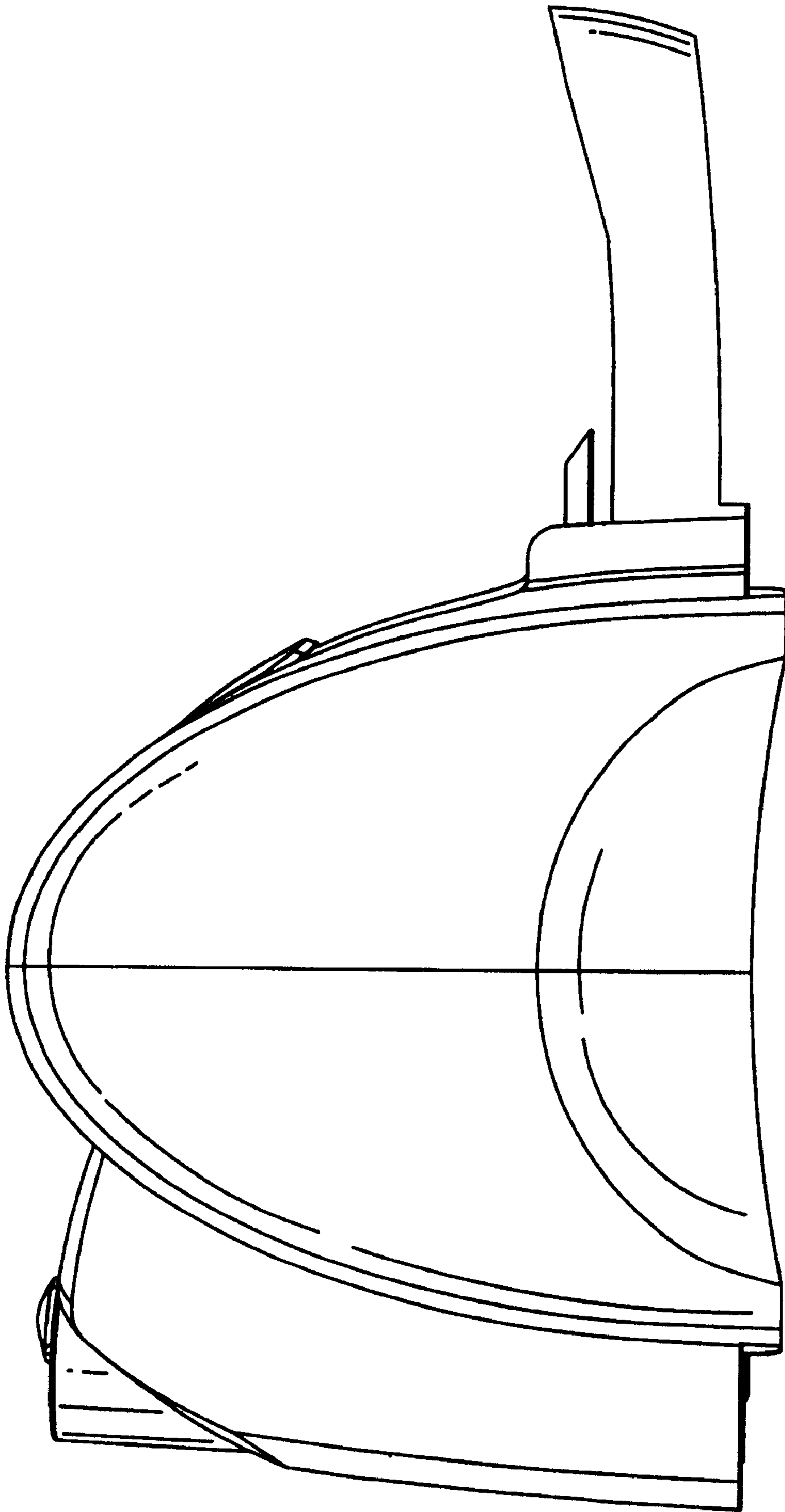


Figure 16

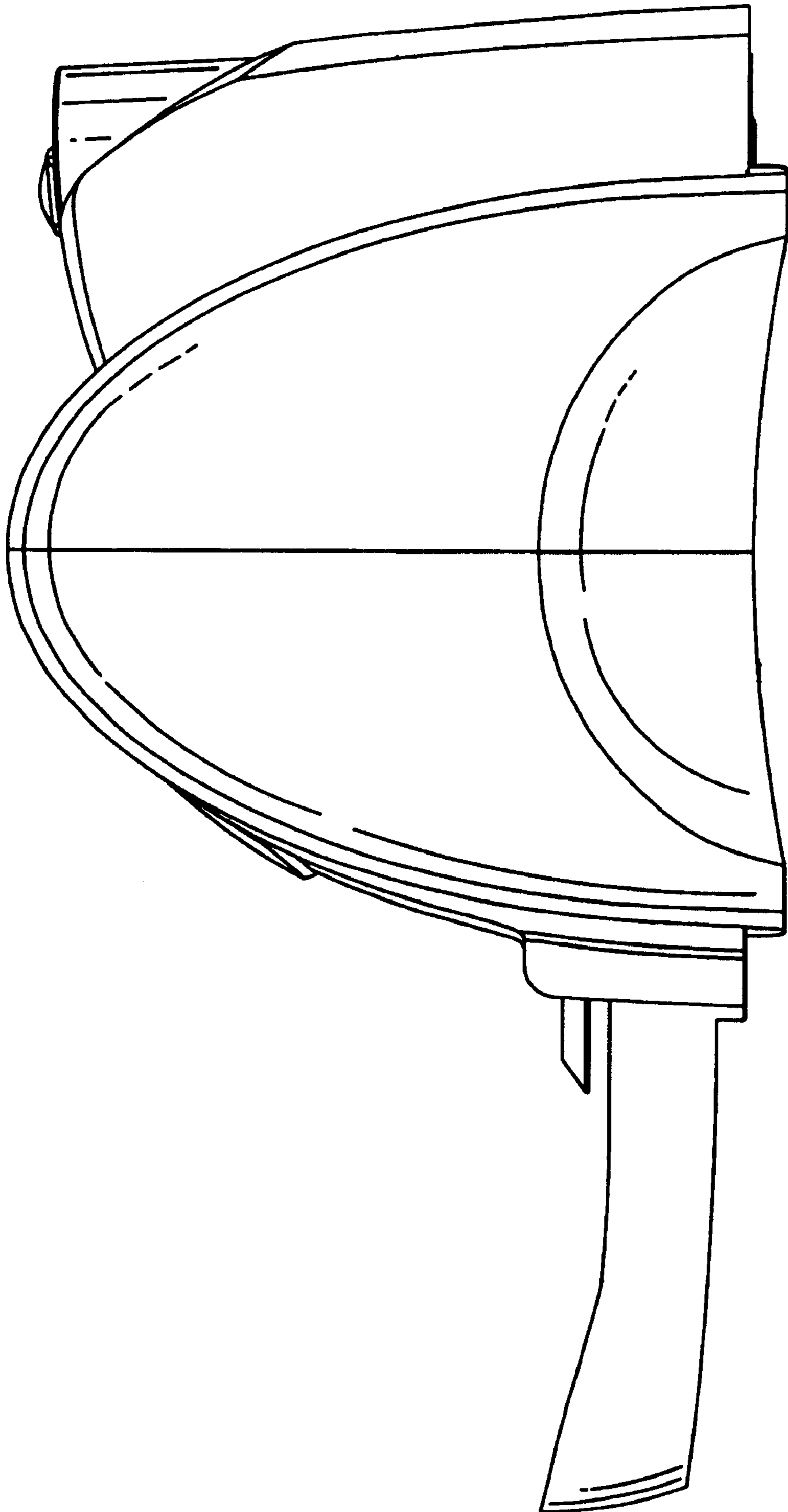


Figure 17

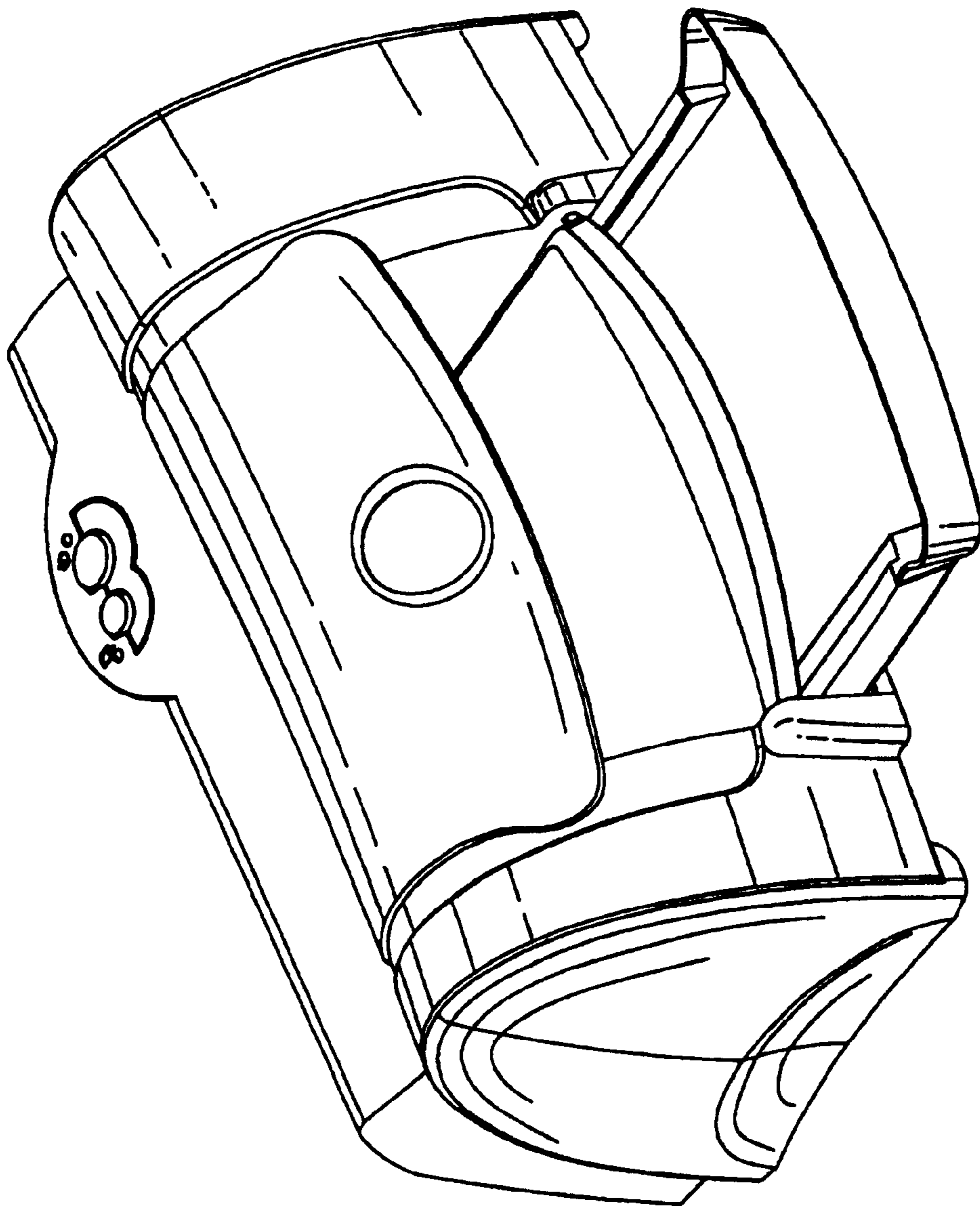


Figure 18

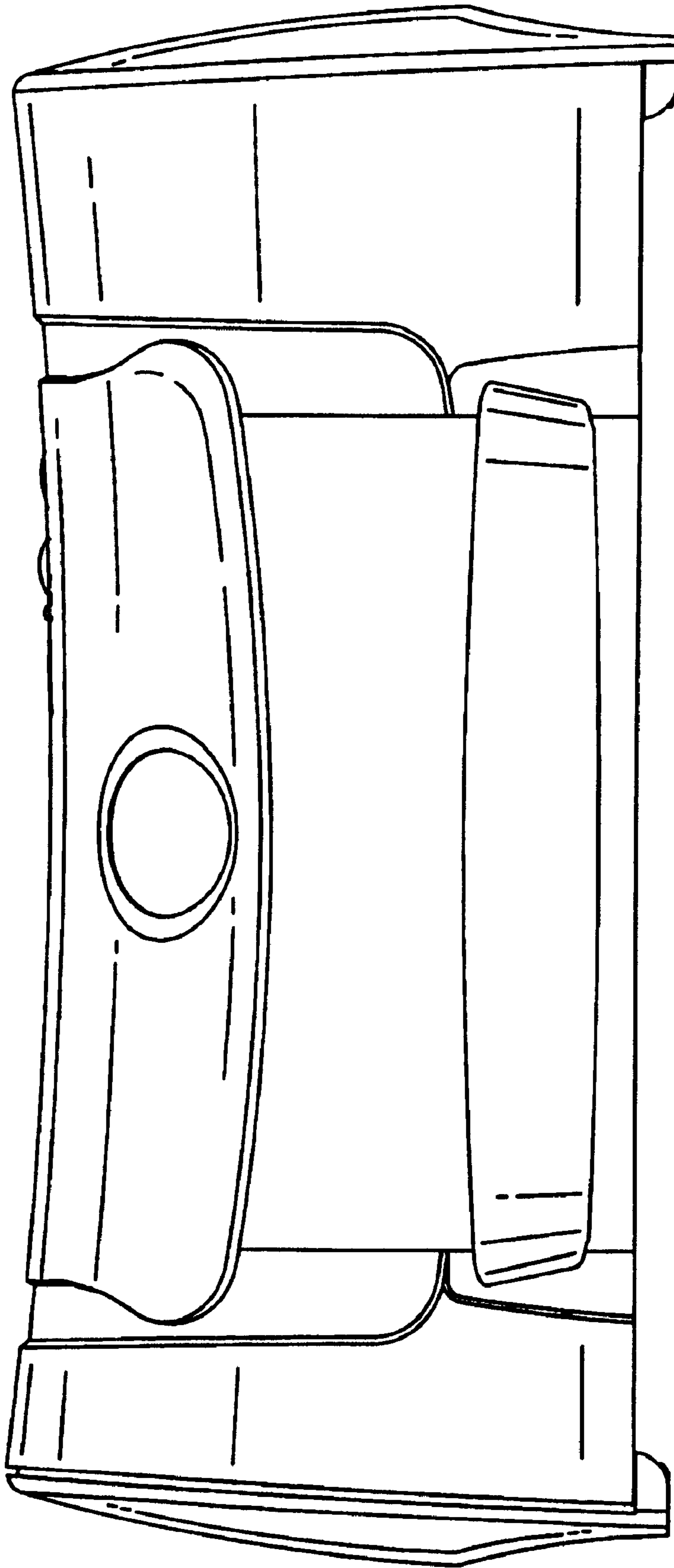


Figure 19

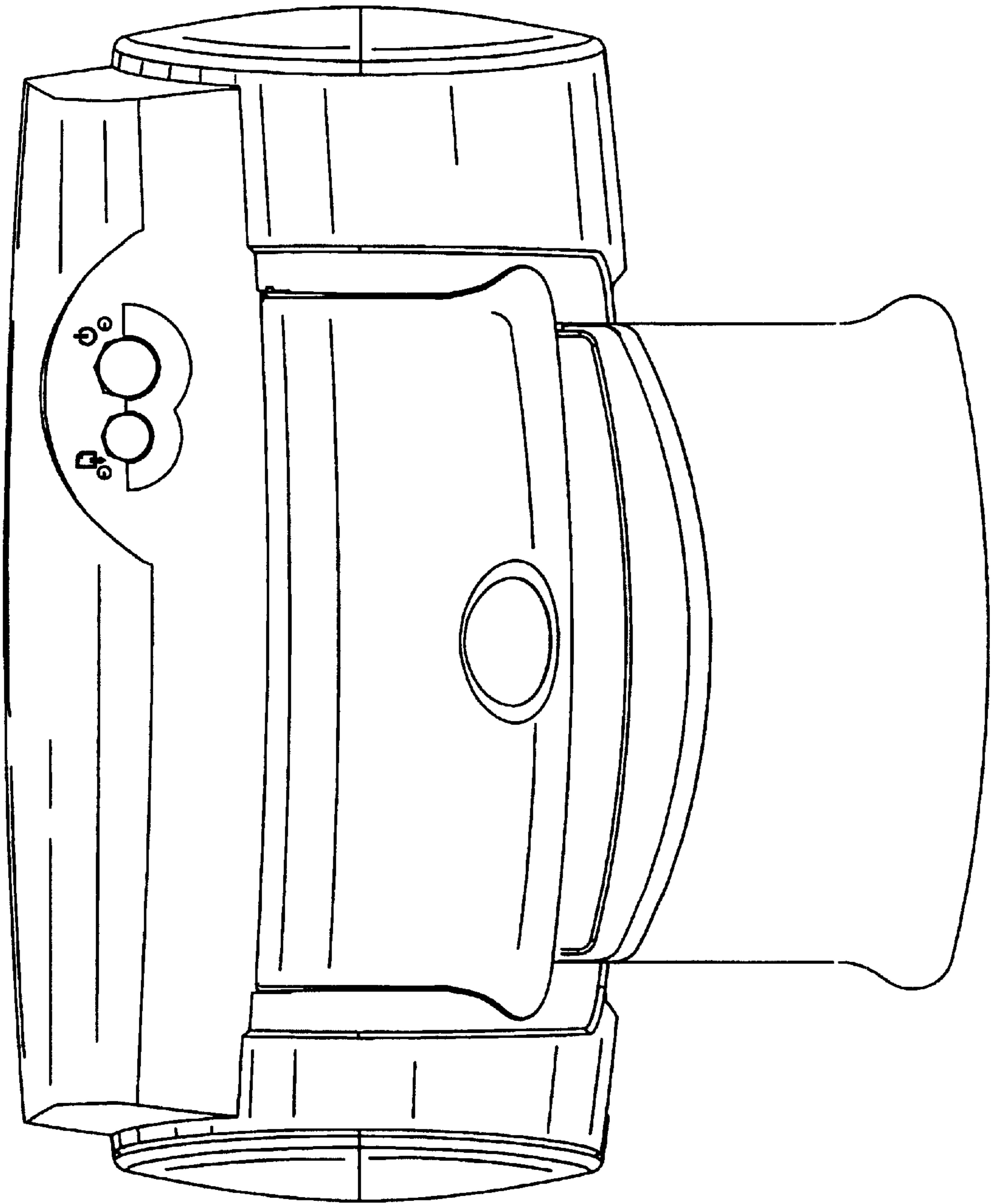


Figure 20