



US00D465513S

(12) **United States Design Patent**
Kaufmann et al.

(10) **Patent No.:** **US D465,513 S**
(45) **Date of Patent:** **** Nov. 12, 2002**

(54) **DRUM FOR A PROCESSING MACHINE FOR FLAT PRINTED ARTICLES**

(75) Inventors: **Alois Kaufmann**, Hinwil (CH);
Konrad Auf der Mauer, Gossau (CH)

(73) Assignee: **Ferag AG**, Hinwil (CH)

(**) Term: **14 Years**

(21) Appl. No.: **29/131,681**

(22) Filed: **Oct. 26, 2000**

(30) **Foreign Application Priority Data**

Apr. 27, 2000 (CH) 127075
Apr. 27, 2000 (CH) 127077

(51) **LOC (7) Cl.** **18-99**

(52) **U.S. Cl.** **D18/48**

(58) **Field of Search** D18/34, 47, 48;
D15/199; 270/52.3

(56) **References Cited**

U.S. PATENT DOCUMENTS

D171,755 S	*	3/1954	Fornell	D18/48
D179,023 S	*	10/1956	Mestre	D18/48
D194,605 S	*	2/1963	Breed et al.	D18/48
D227,933 S	*	7/1973	Bright	D18/48
D230,861 S	*	3/1974	Sirelkofak et al.	D18/48
D254,372 S	*	3/1980	Sinn et al.	D18/48
4,684,116 A	*	8/1987	Hansch	270/52.3
4,684,117 A	*	8/1987	Honegger et al.	270/52.26
4,732,374 A	*	3/1988	Honegger	270/52.3
D311,928 S	*	11/1990	Moll	D18/34
D312,562 S	*	12/1990	Soderberg	D18/34
5,052,667 A	*	10/1991	Hansch	270/52.3
5,657,978 A	*	8/1997	Meier et al.	270/52.16
D383,776 S	*	9/1997	Kobayashi	D18/48
5,713,565 A	*	2/1998	Meier	270/52.16

* cited by examiner

Primary Examiner—Nelson C. Holtje

(74) *Attorney, Agent, or Firm*—Rankin, Hill, Porter & Clark LLP

(57) **CLAIM**

The ornamental design for a drum for a processing machine for flat printed articles, as shown and described.

DESCRIPTION

FIG. 1 is a perspective view of a top, right side, and front of our new design wherein is shown the face, saddle-shaped rest, sliding crank, and control panel.

FIG. 2 is a perspective view of a top, left side, and rear of our new design illustrated in FIG. 1.

FIG. 3 is a top plan view of our new design illustrated in FIGS. 1–2.

FIG. 4 is a front elevational view of our new design illustrated in FIGS. 1–2.

FIG. 5 is a left side elevational view of our new design illustrated in FIGS. 1–2.

FIG. 6 is a rear elevational view of our new design illustrated in FIGS. 1–2.

FIG. 7 is a right side elevational view of our new design illustrated in FIGS. 1–2.

FIG. 8 is an enlarged partial perspective view of the left end and front of our new design illustrating an area surrounding the control panel otherwise illustrated generally in FIGS. 1 and 4.

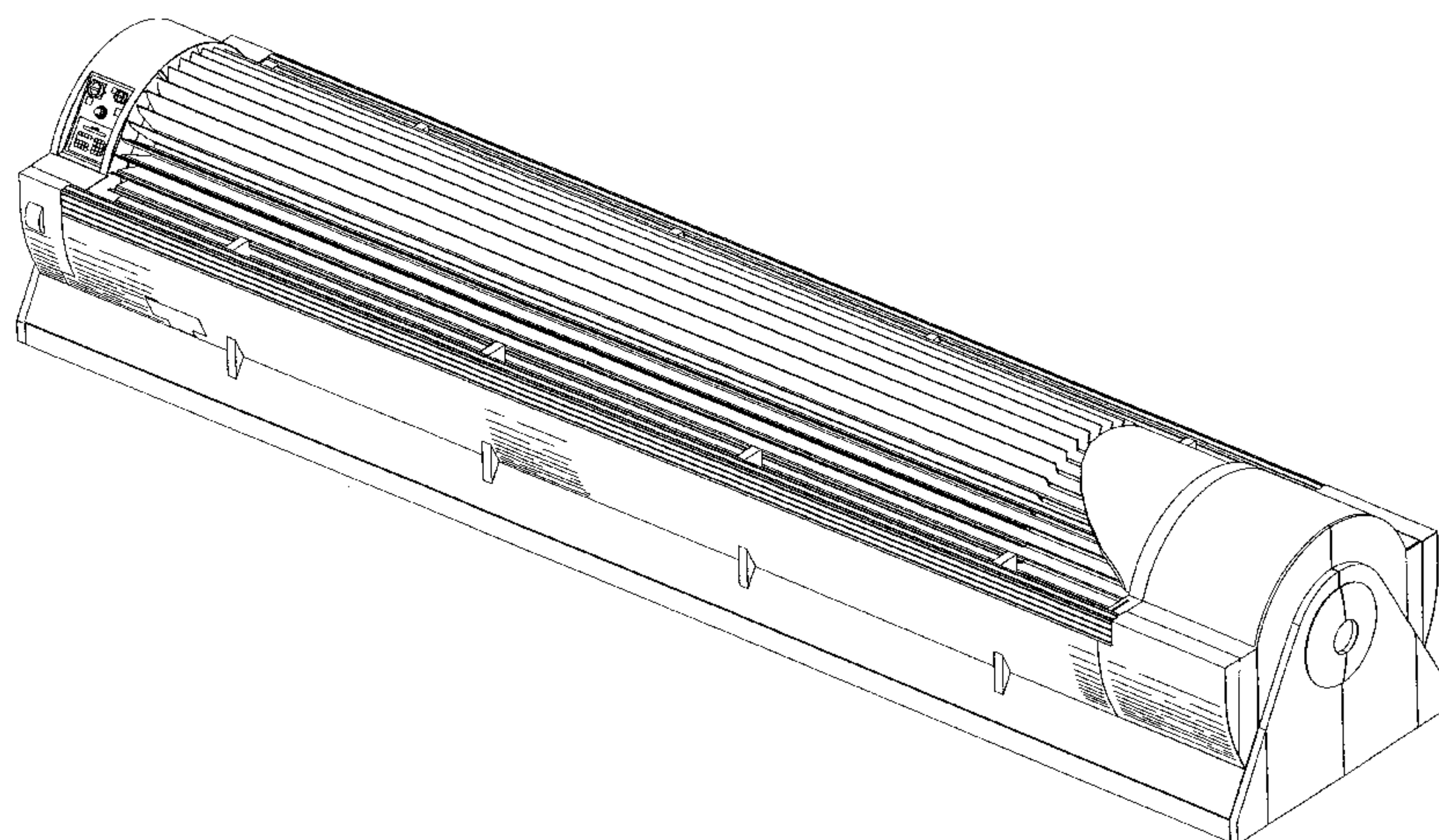
FIG. 9 is an enlarged partial front view of the left end of our new design illustrated in FIG. 8.

FIG. 10 is an enlarged right side elevational view of our new design illustrated in FIGS. 8 and 9.

FIG. 11 is a top plan view of our new design illustrated in FIGS. 8 and 9; and,

FIG. 12 is an enlarged plan view of the control panel of our new design illustrated in FIGS. 1, 4, 8 and 9. A master switch and an emergency switch are provided in the upper part of the control panel while an alphanumeric keyboard and display are provided in the lower part of the control panel. The surface(s) or portion(s) of the article not shown in the drawing or described in the specification form no part of the claimed design.

1 Claim, 11 Drawing Sheets



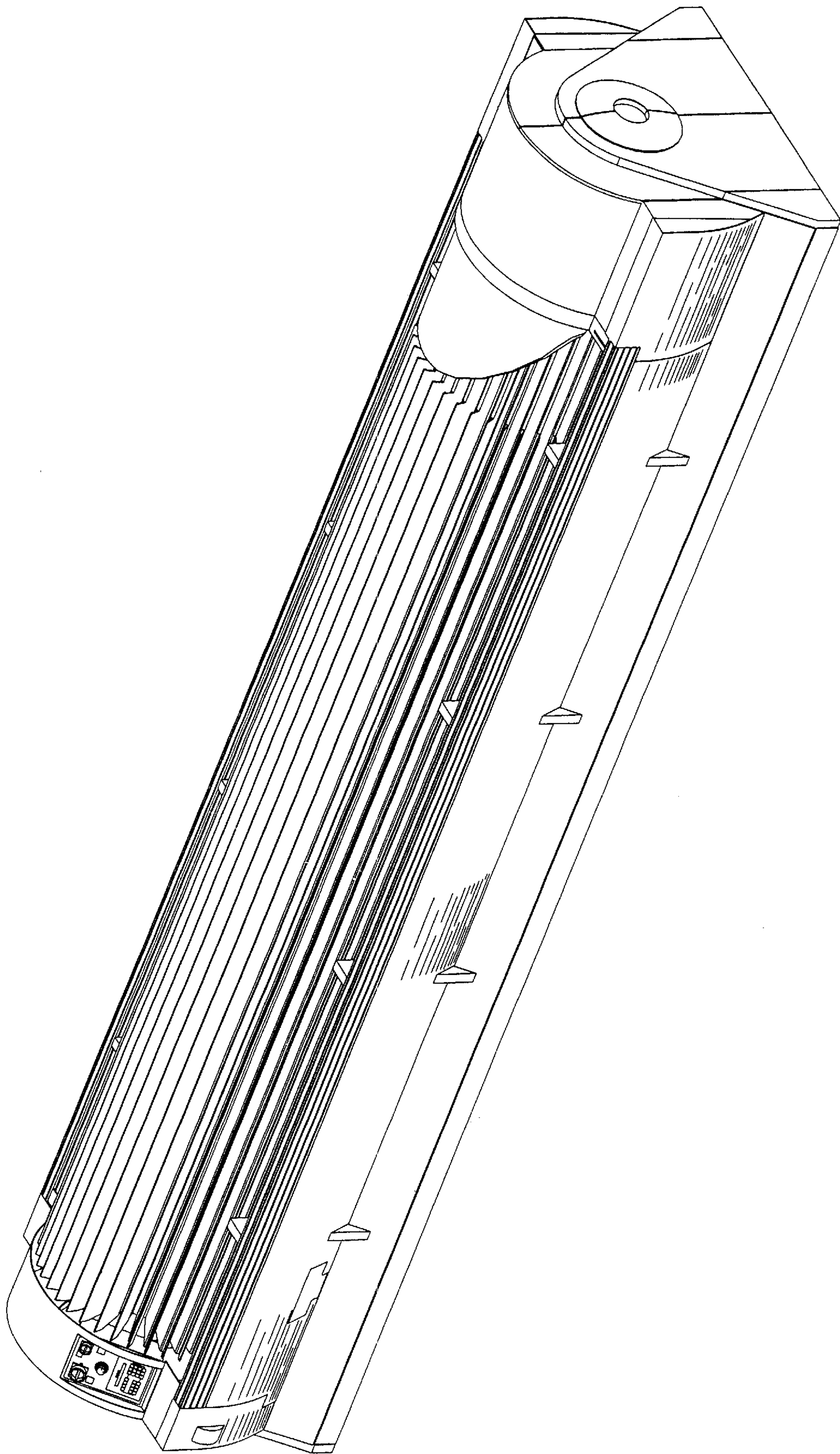


FIG. 1

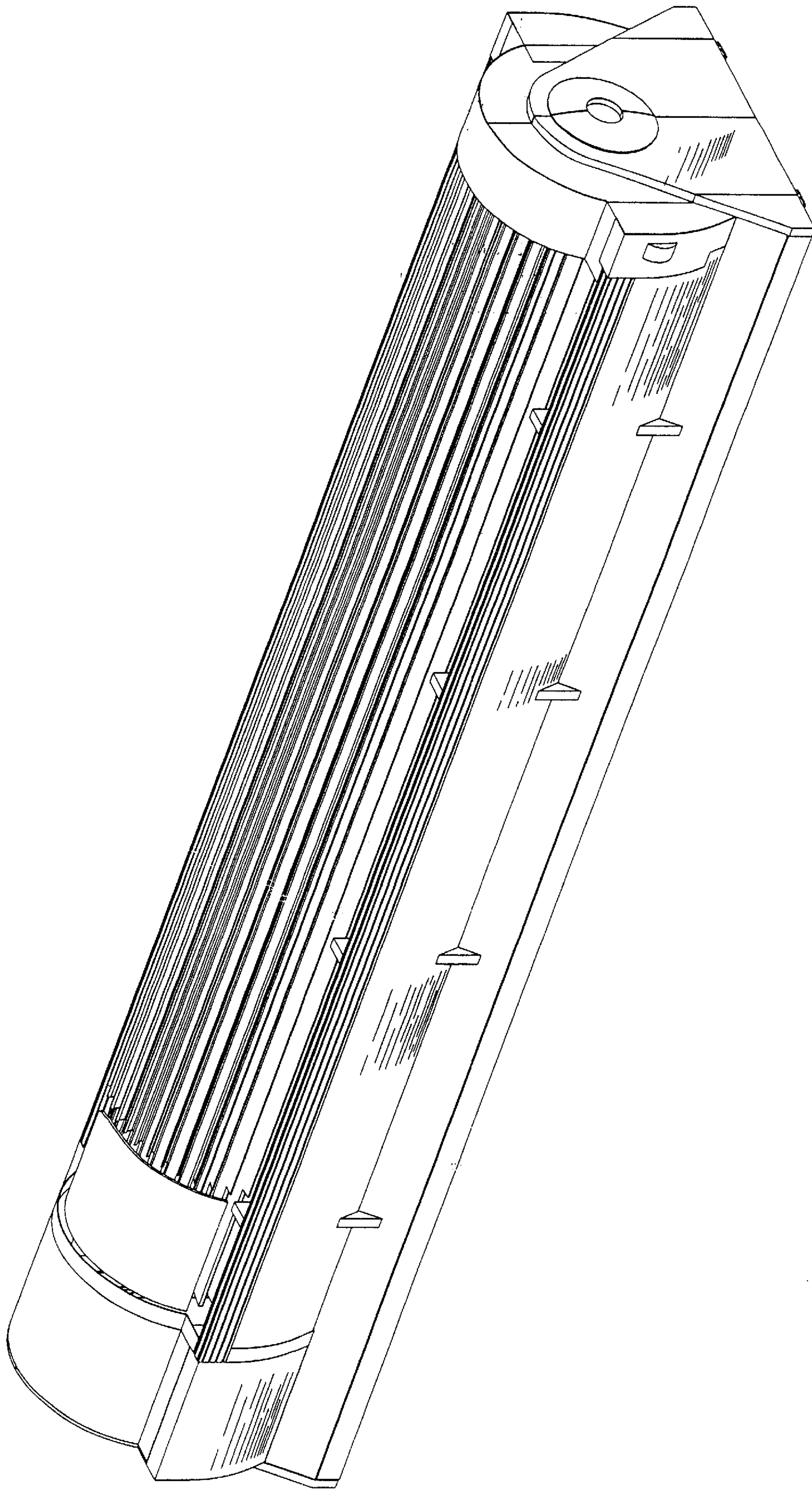


FIG. 2

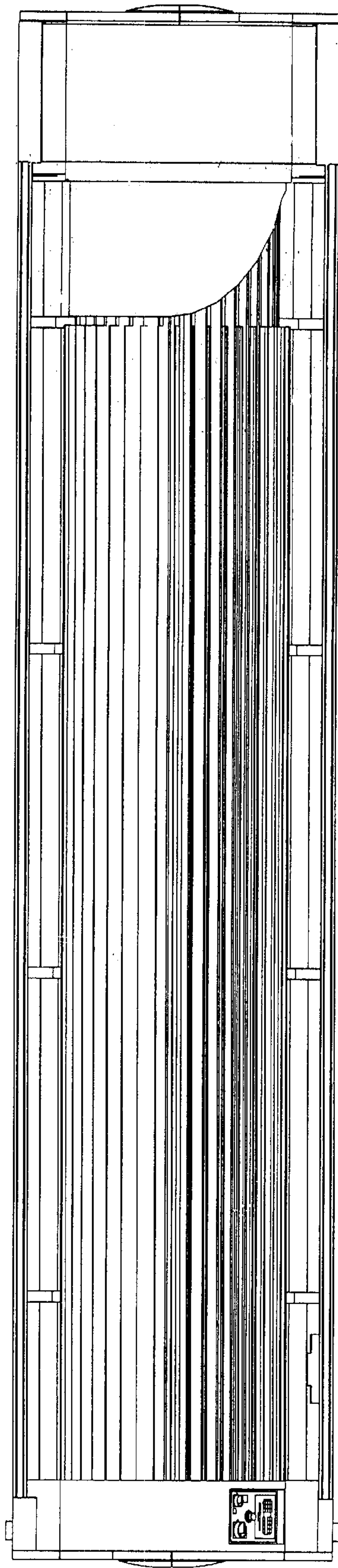


FIG. 3

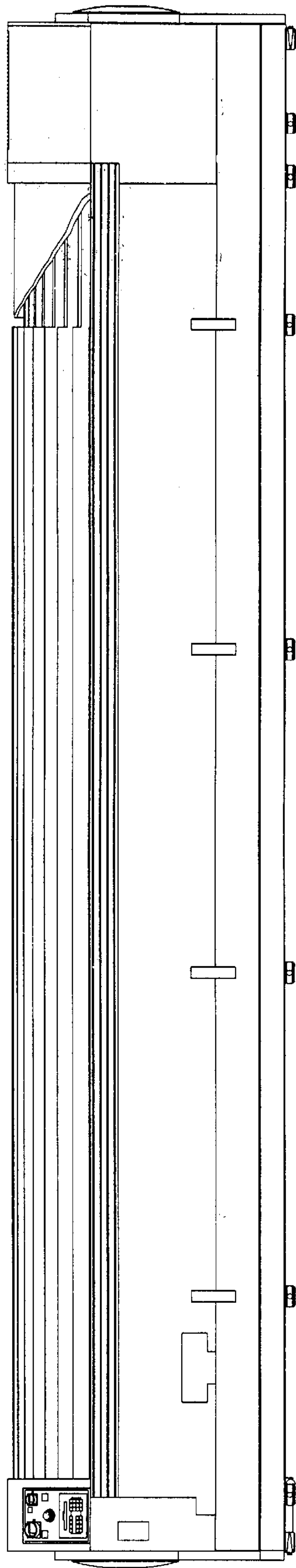


FIG. 4

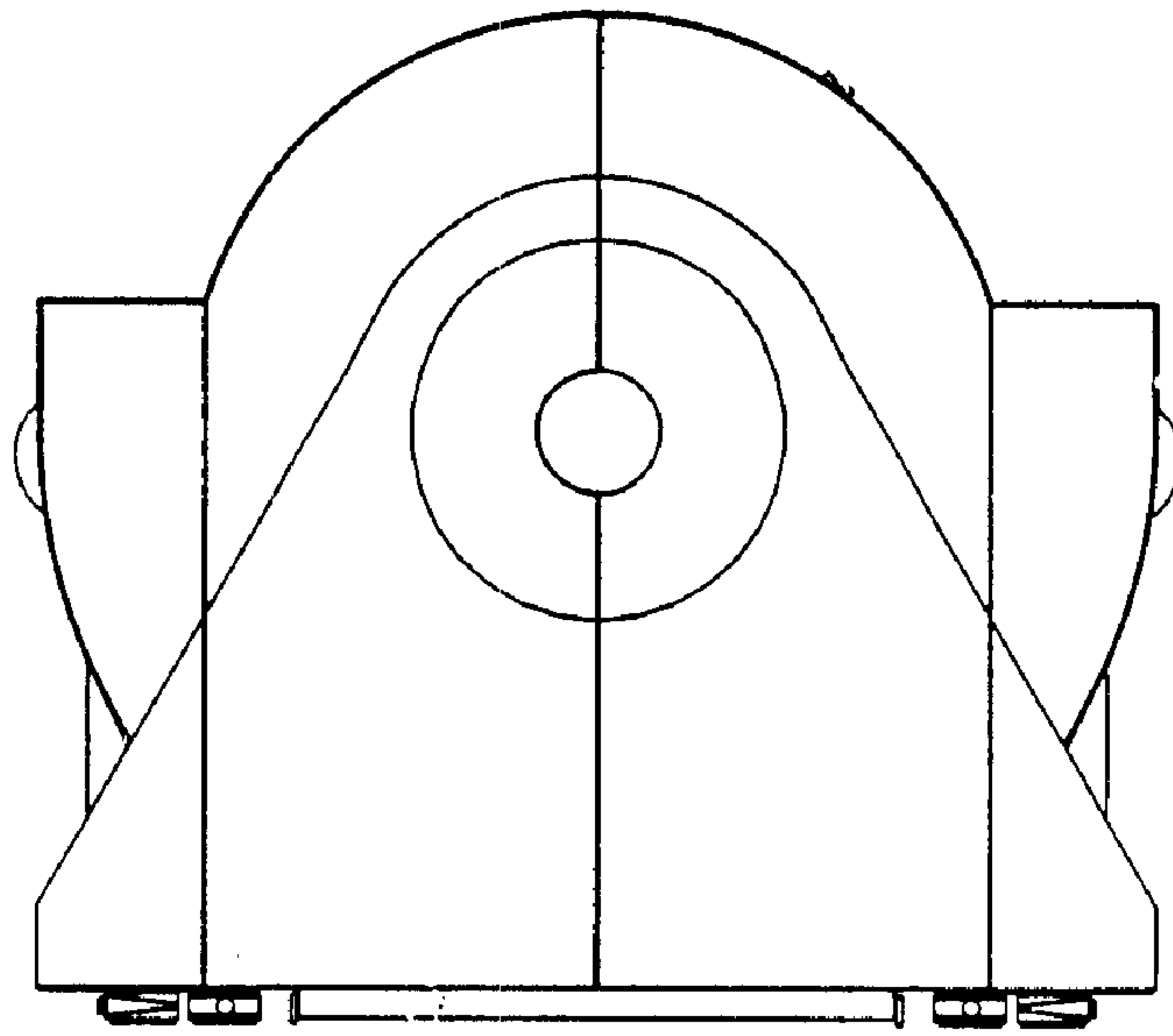


FIG. 5

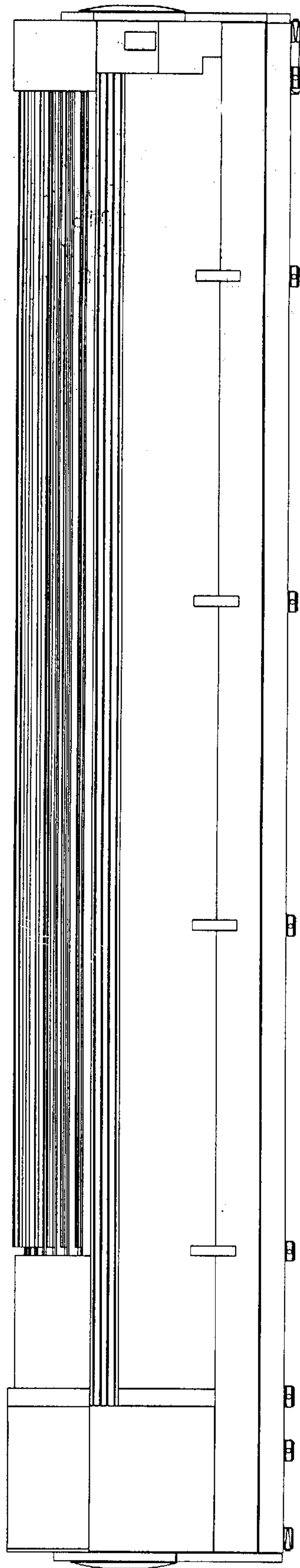


FIG. 6

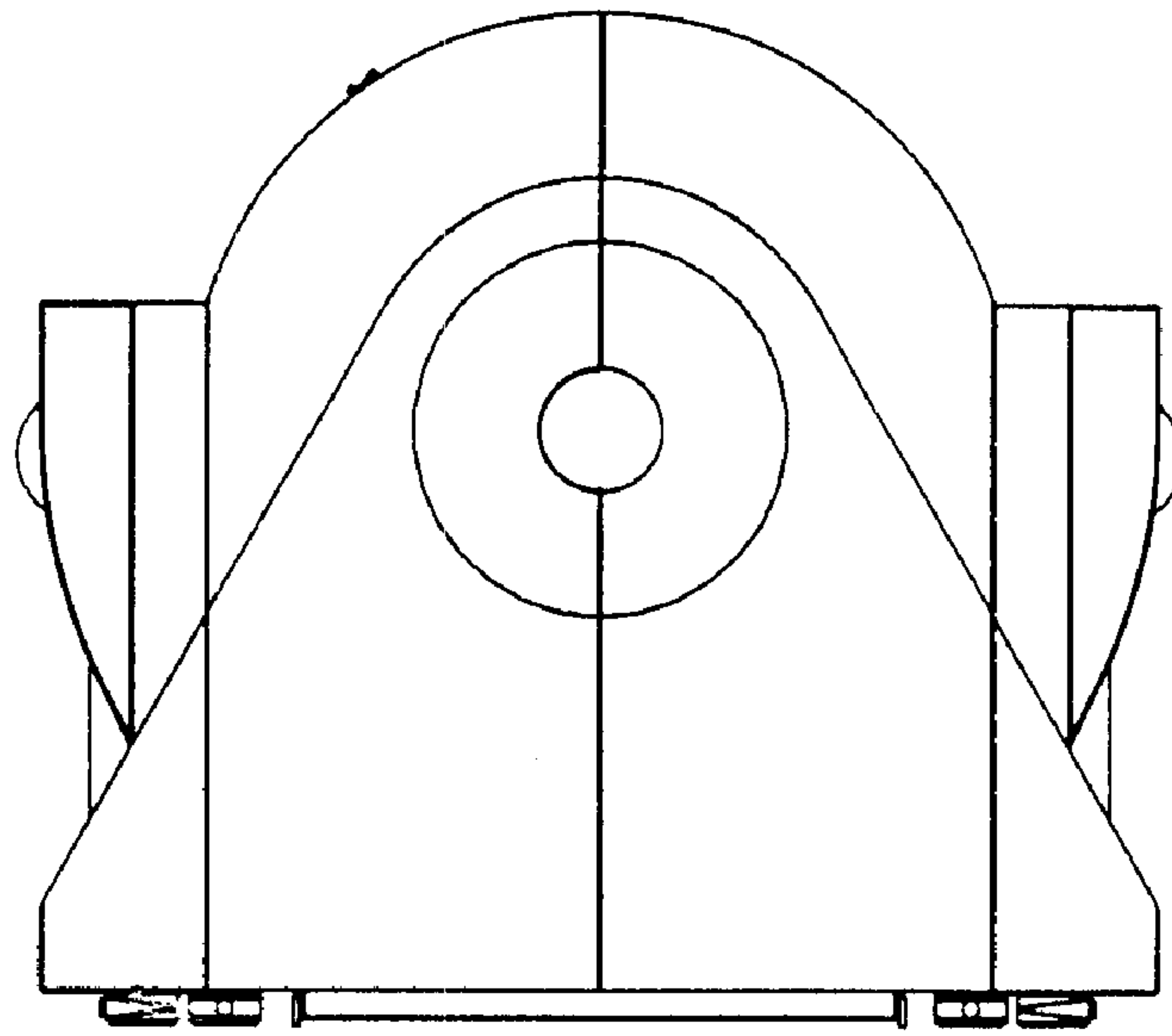


FIG. 7

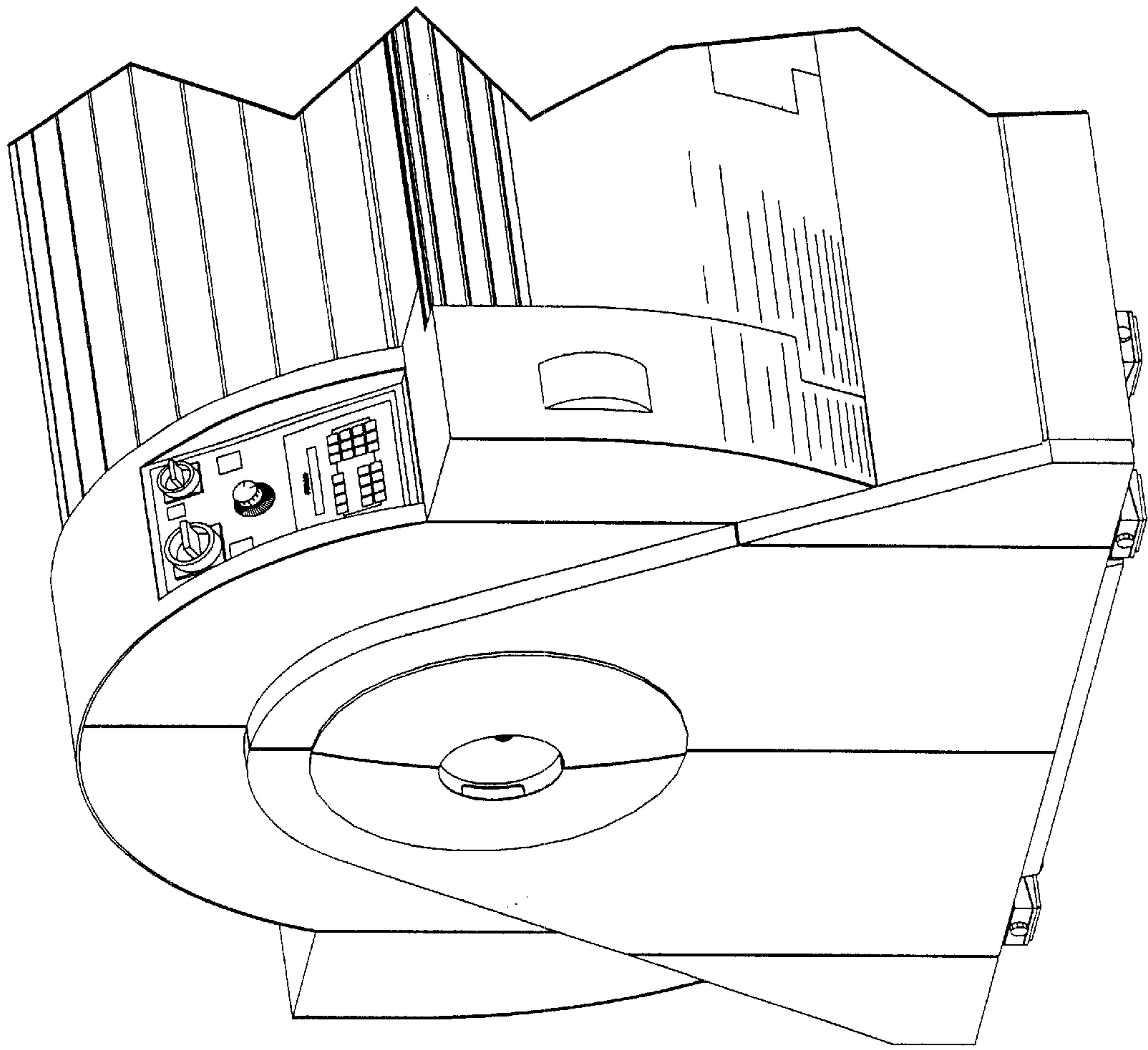


FIG. 8

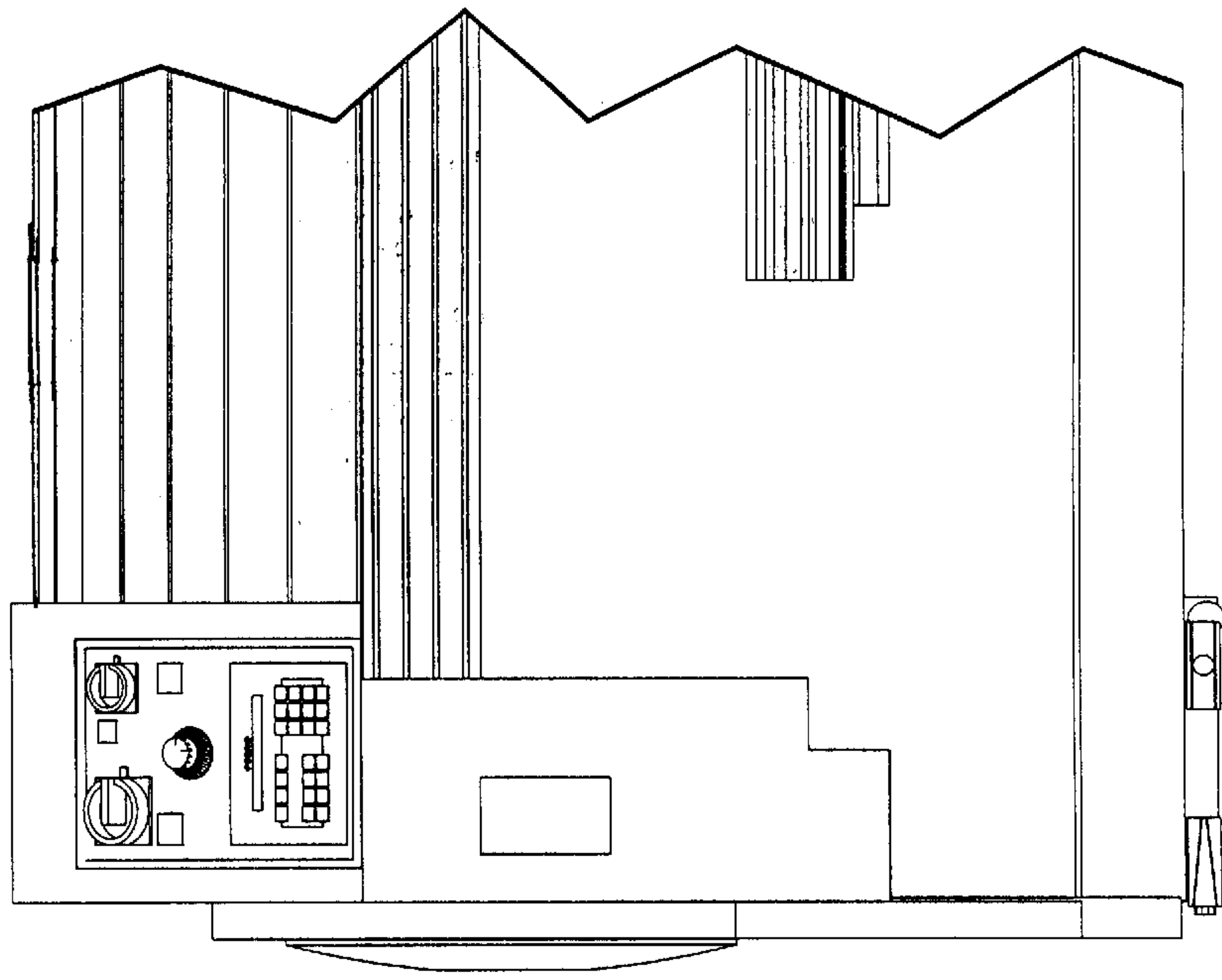


FIG. 9

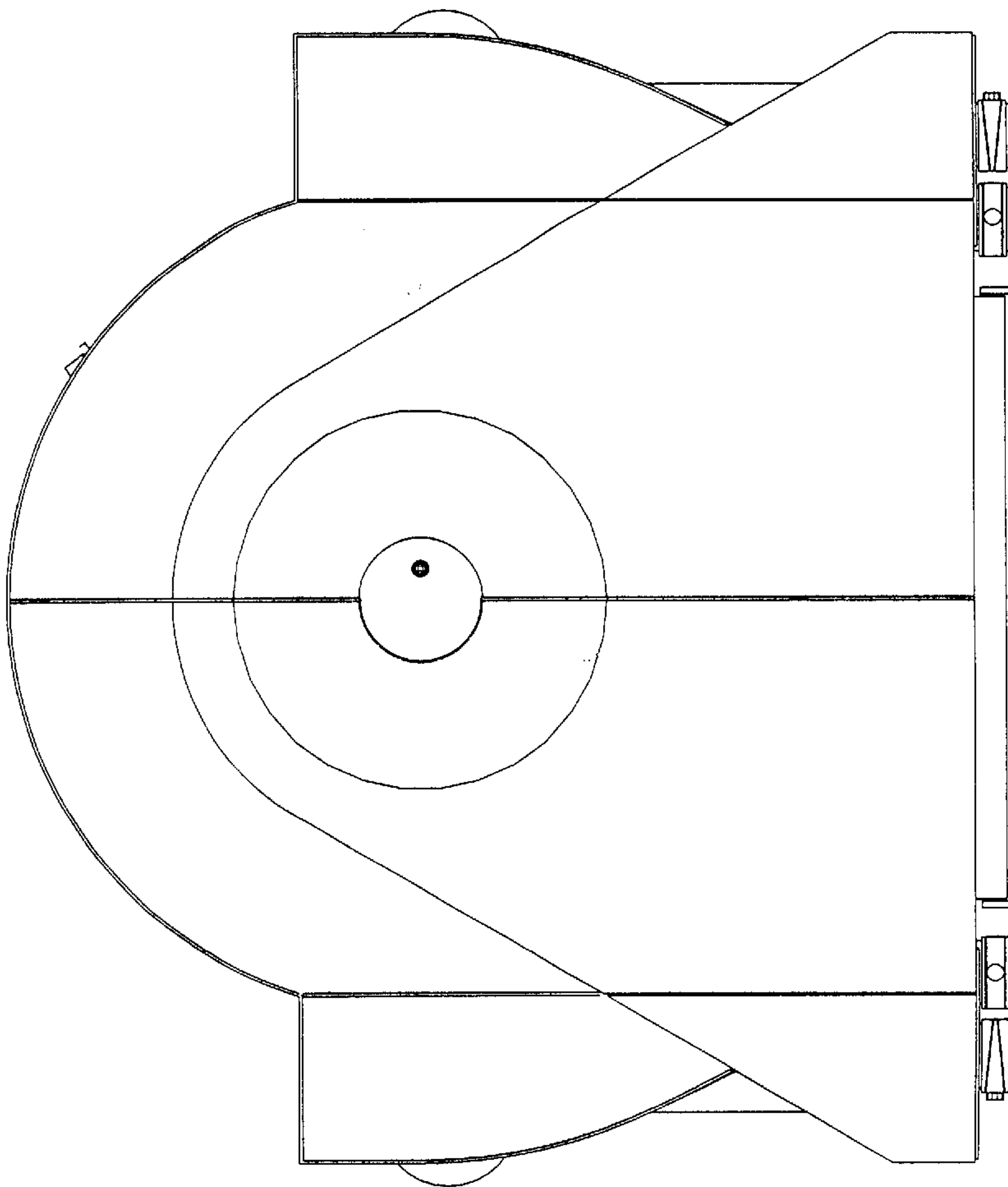


FIG. 10

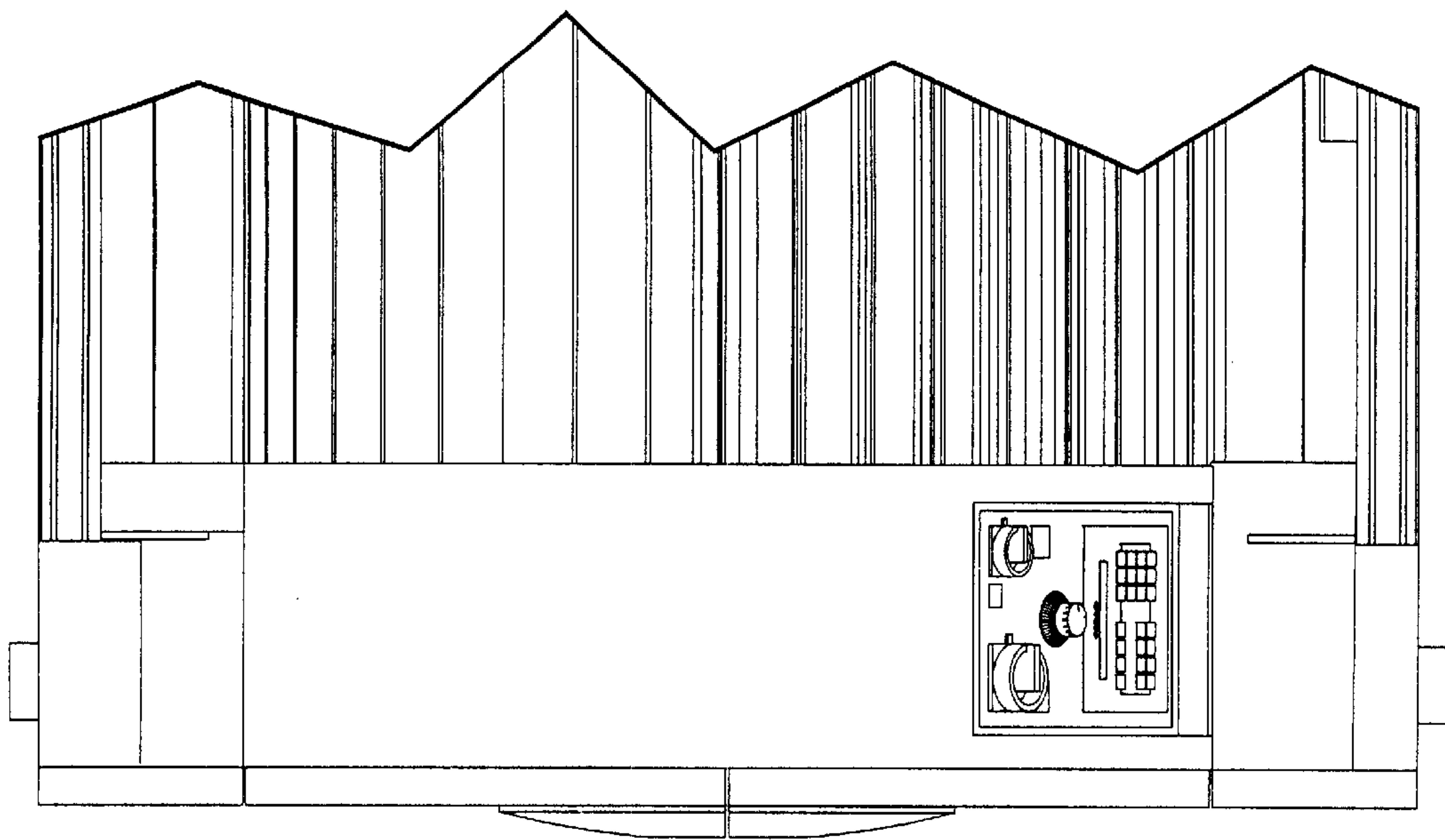


FIG. 11

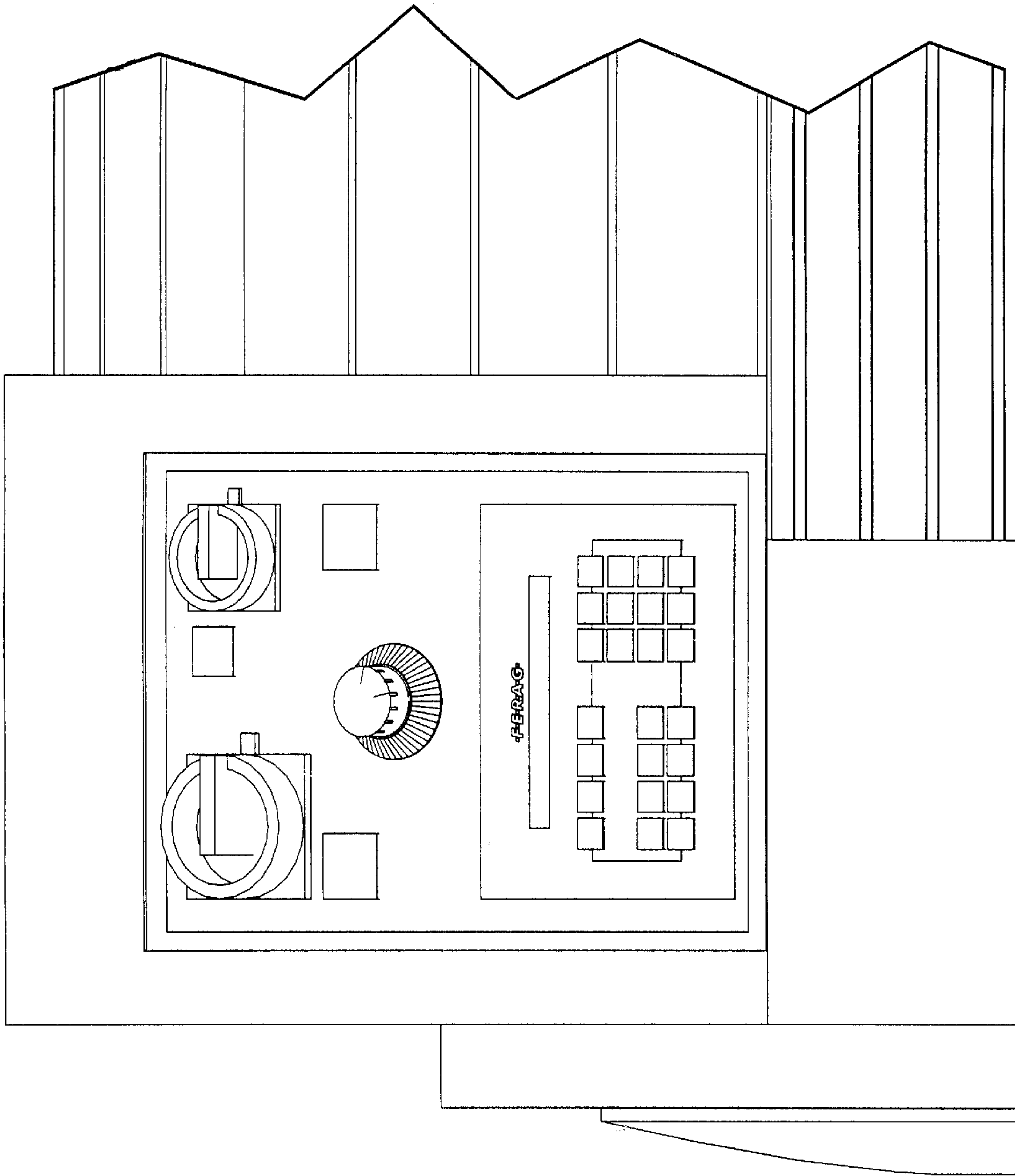


FIG. 12