



US00D465512S

(12) **United States Design Patent**
Katzen et al.

(10) **Patent No.:** **US D465,512 S**

(45) **Date of Patent:** **** Nov. 12, 2002**

- (54) **HANDLE FOR MAKING DECORATIVE PRINTS**
- (76) Inventors: **Samuel E. Katzen**, 836 Contra Costa Ave., Berkeley, CA (US) 94707;
Ronald A. La Rosa, 17867 Mariposa Ave., Yorba Linda, CA (US) 92886
- (**) Term: **14 Years**
- (21) Appl. No.: **29/150,868**
- (22) Filed: **Nov. 30, 2001**
- (51) **LOC (7) Cl.** **19-02**
- (52) **U.S. Cl.** **D18/18; D18/15**
- (58) **Field of Search** D18/50, 14, 15, D18/18, 99; D19/35, 36, 65; 401/201, 261; 101/327, 379, 405, 406, 127.1, 333, 368

- 3,817,178 A * 6/1974 Hagen 101/379
- 5,313,885 A 5/1994 Winston
- D397,139 S * 8/1998 Shiba D18/15
- 5,894,794 A * 4/1999 Imamaki et al. 101/125
- 6,095,046 A * 8/2000 Lookholder et al. 101/405

* cited by examiner

Primary Examiner—Martie K. Holtje
(74) *Attorney, Agent, or Firm*—Stetina Brunda Garred & Brucker

(57) **CLAIM**

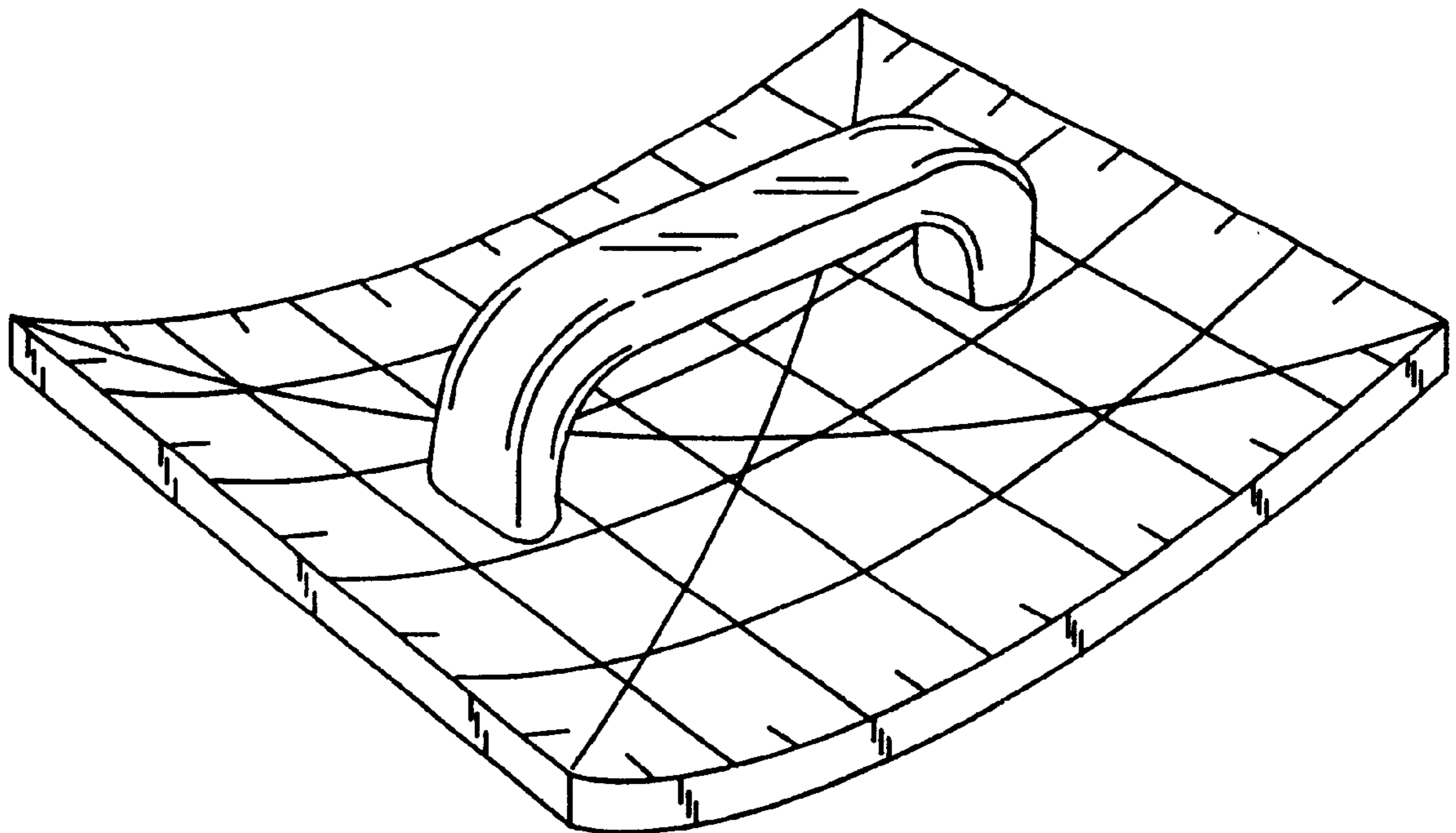
The ornamental design for a handle for making decorative prints, as shown and described.

DESCRIPTION

FIG. 1 is an elevated perspective view of a handle for making decorative prints of the present invention showing our new design;
FIG. 2 is a side view thereof, the other side being a mirror image;
FIG. 3 is a frontal elevational view thereof, the rear being a mirror image; and,
FIG. 4 is a top, partially elevated perspective view thereof.

- (56) **References Cited**
- U.S. PATENT DOCUMENTS
- 1,444,609 A * 2/1923 Hidalgo 101/125
- 1,617,278 A * 2/1927 Spurrier 101/125
- D72,276 S * 3/1927 Reichel D18/15
- D157,771 S * 3/1950 Mason et al. D18/15
- 3,323,791 A * 6/1967 Thomas D18/14 X

1 Claim, 1 Drawing Sheet



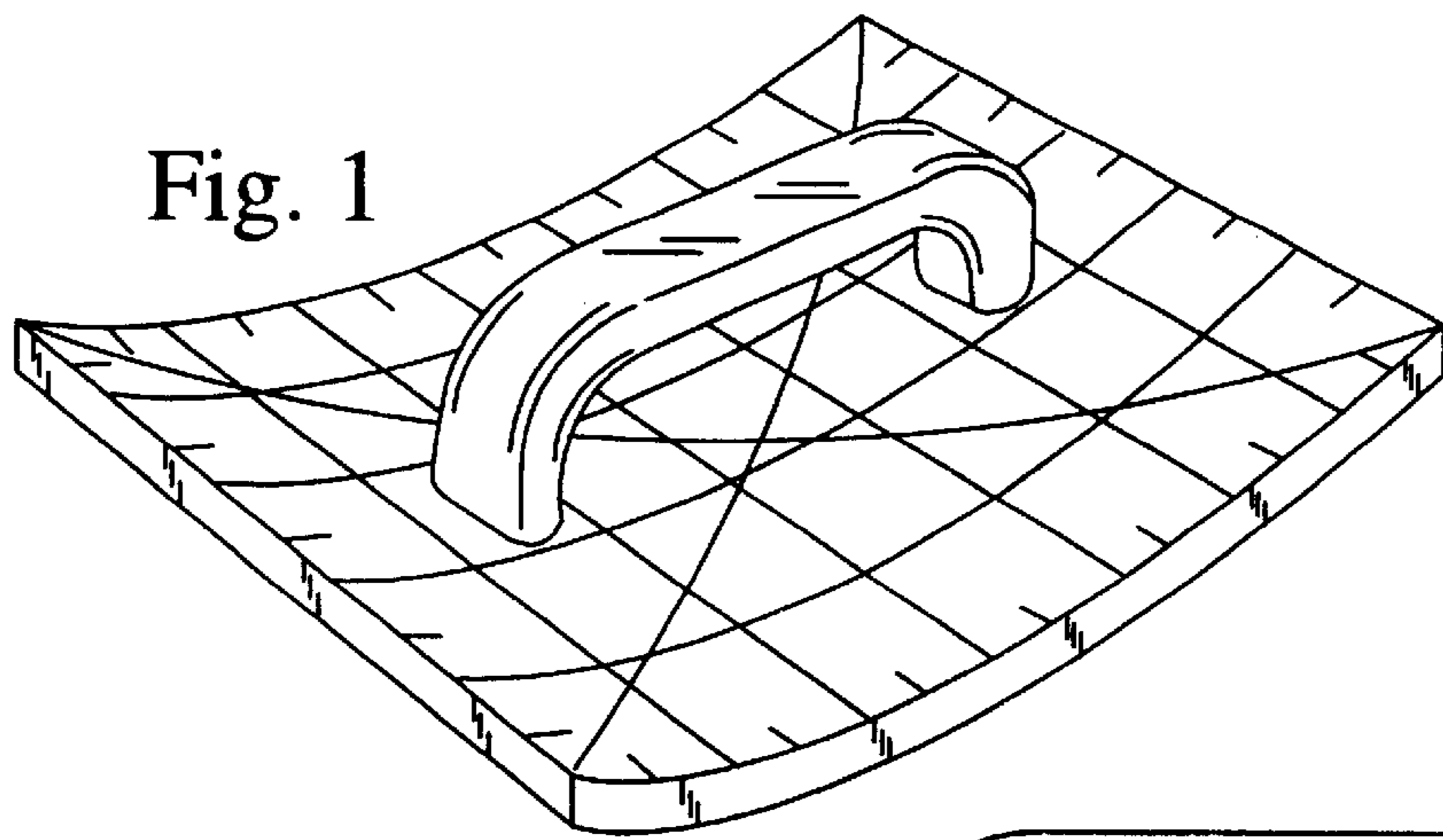


Fig. 2

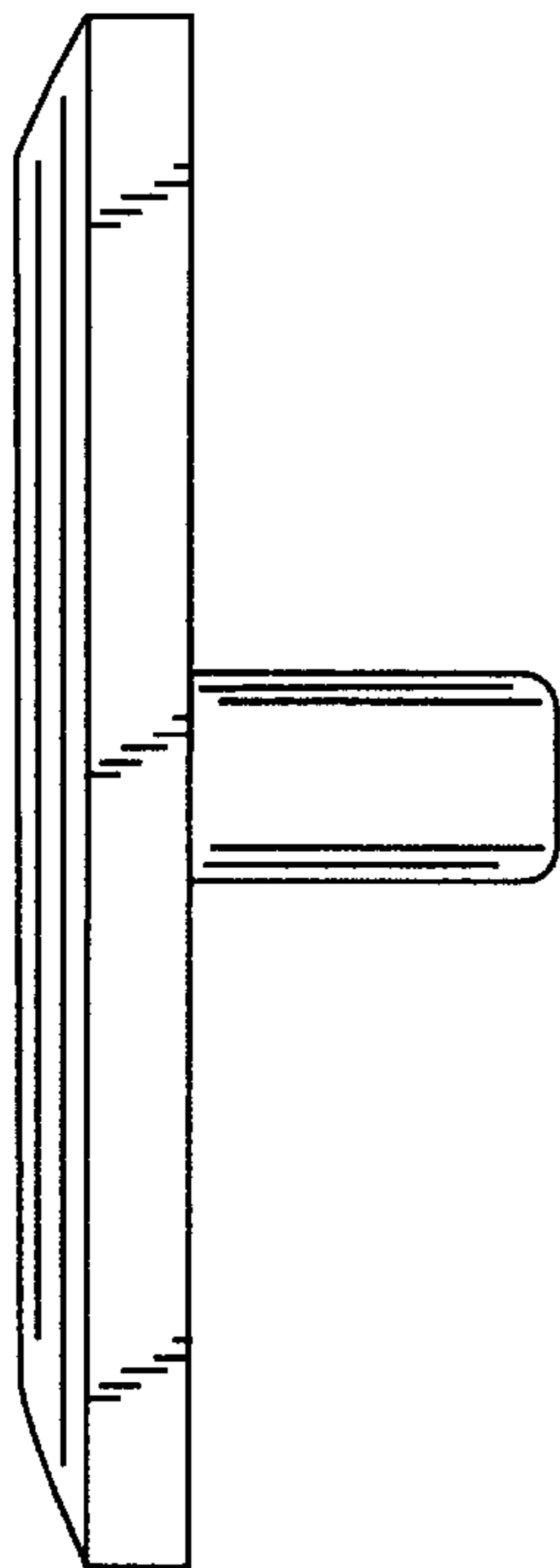
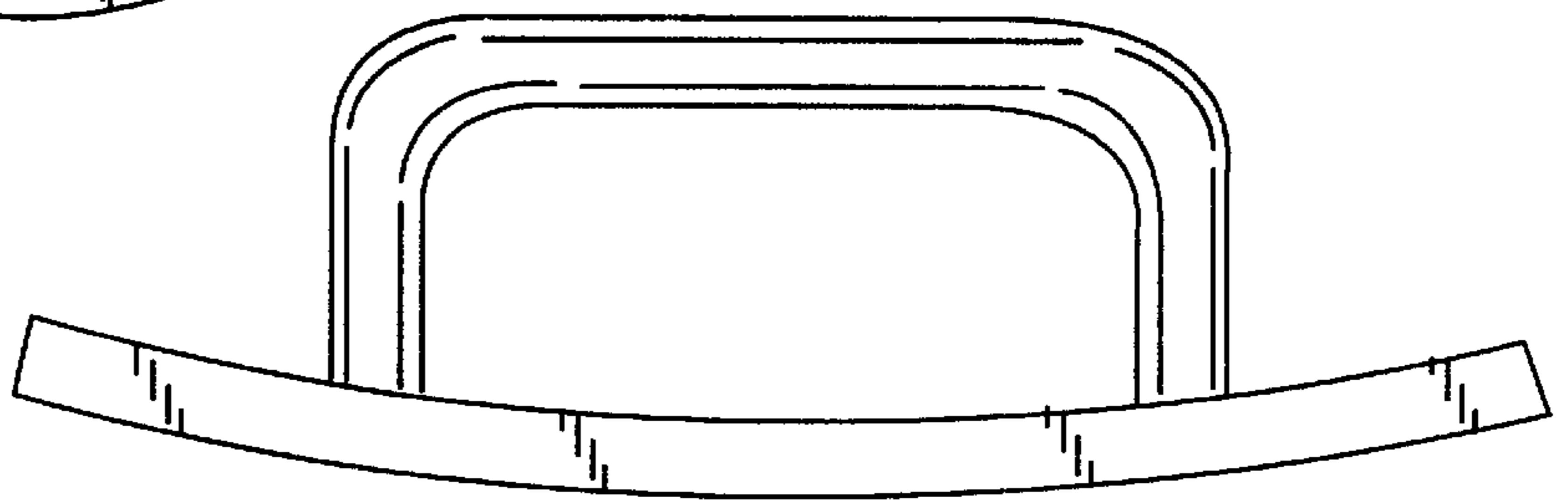


Fig. 3

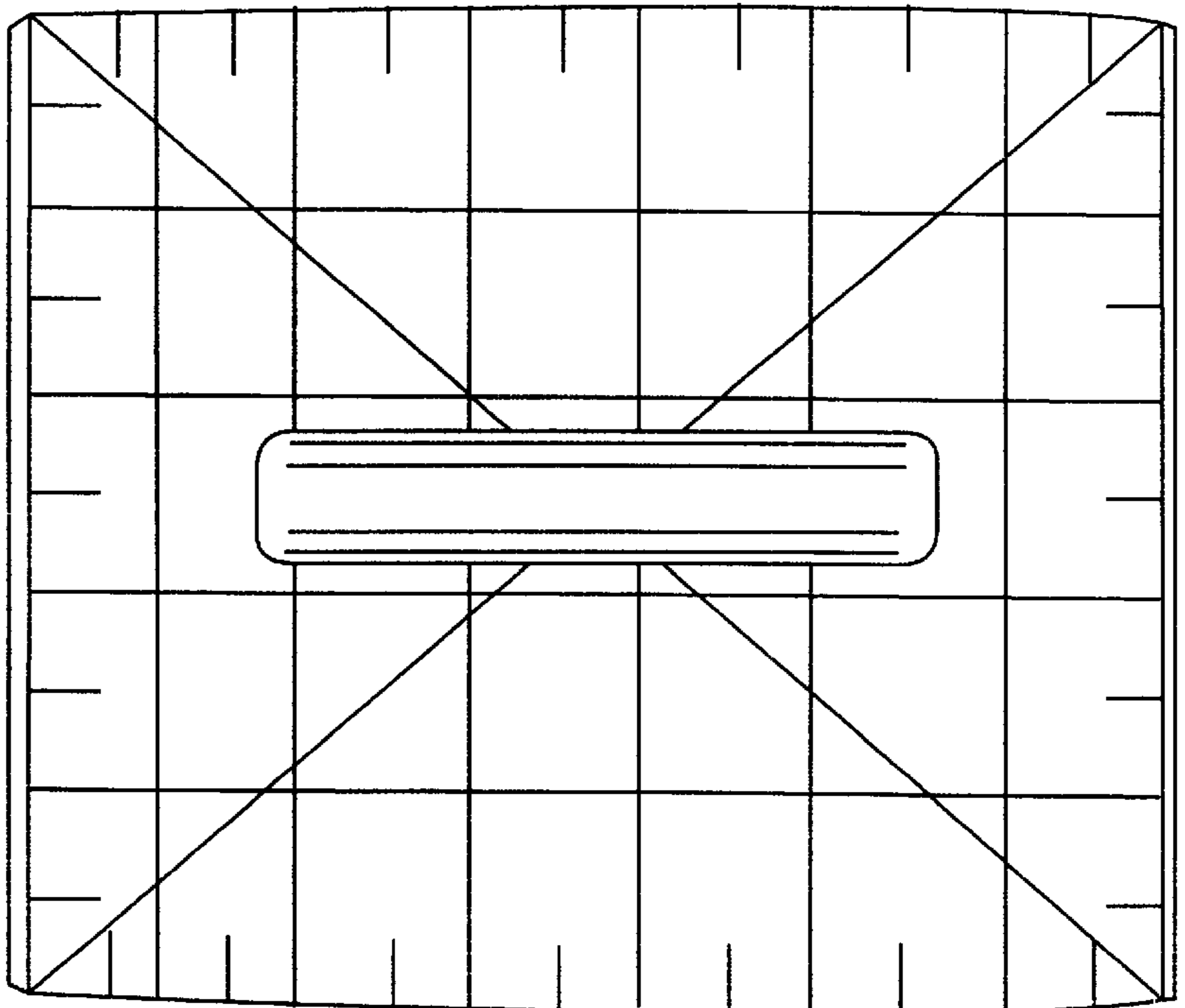


Fig. 4