



US00D465505S

(12) **United States Design Patent**  
**Nasu**

(10) **Patent No.:** **US D465,505 S**

(45) **Date of Patent:** **\*\* Nov. 12, 2002**

(54) **LENS SUPPORT RING FOR A DIGITAL CAMERA**

3,924,786 A \* 12/1975 Duquette ..... D16/136  
5,943,169 A \* 8/1999 Okada ..... 359/557  
D457,903 S \* 5/2002 Nasu ..... D16/202

(75) Inventor: **Miyoshi Nasu**, Tokyo (JP)

\* cited by examiner

(73) Assignee: **Asahi Kogaku Kogyo Kabushiki Kaisha**, Tokyo (JP)

*Primary Examiner*—Adir Aronovich

(74) *Attorney, Agent, or Firm*—Sughrue Mion, PLLC

(\*\*) Term: **14 Years**

(57) **CLAIM**

(21) Appl. No.: **29/146,052**

The ornamental design for a lens support ring for a digital camera, as shown.

(22) Filed: **Aug. 3, 2001**

**DESCRIPTION**

(30) **Foreign Application Priority Data**

Feb. 6, 2001 (JP) ..... 2001-002620

(51) **LOC (7) Cl.** ..... **16-05**

(52) **U.S. Cl.** ..... **D16/219; D16/136**

(58) **Field of Search** ..... D16/134, 136,  
D16/200, 202, 203, 204, 218, 219, 237;  
348/373-375; 359/557; 396/544

FIG. 1 is a perspective view of the front, top and left side of a lens support ring for a digital camera showing my new design;

FIG. 2 is a front elevational view thereof;

FIG. 3 is a top plan view thereof;

FIG. 4 is a left side elevational view thereof;

FIG. 5 is a right side elevational view thereof;

FIG. 6 is a rear view; and,

FIG. 7 is a bottom plan view thereof.

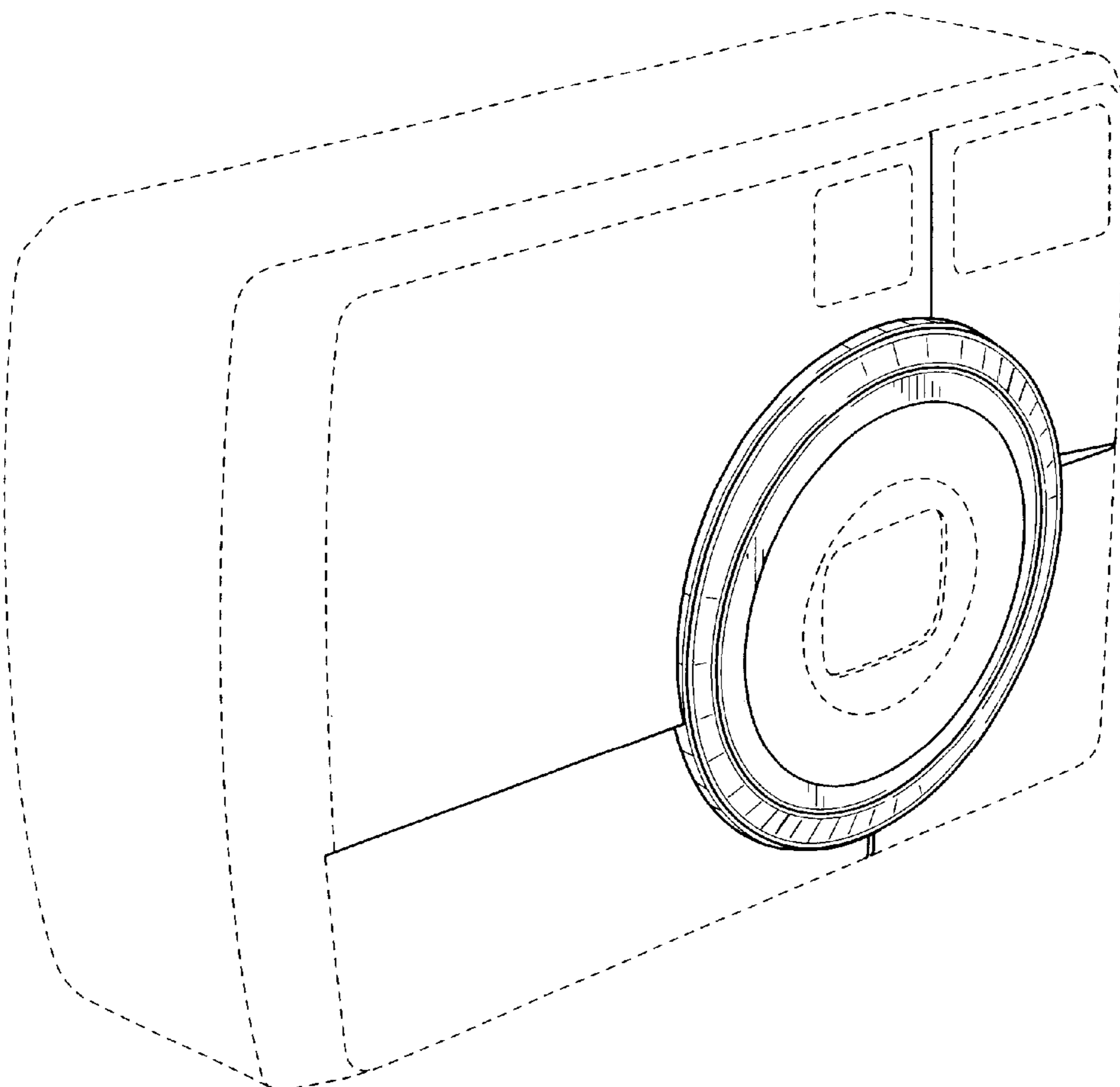
The broken line showing of a camera is to illustrate environment only and forms no part of the claimed design.

(56) **References Cited**

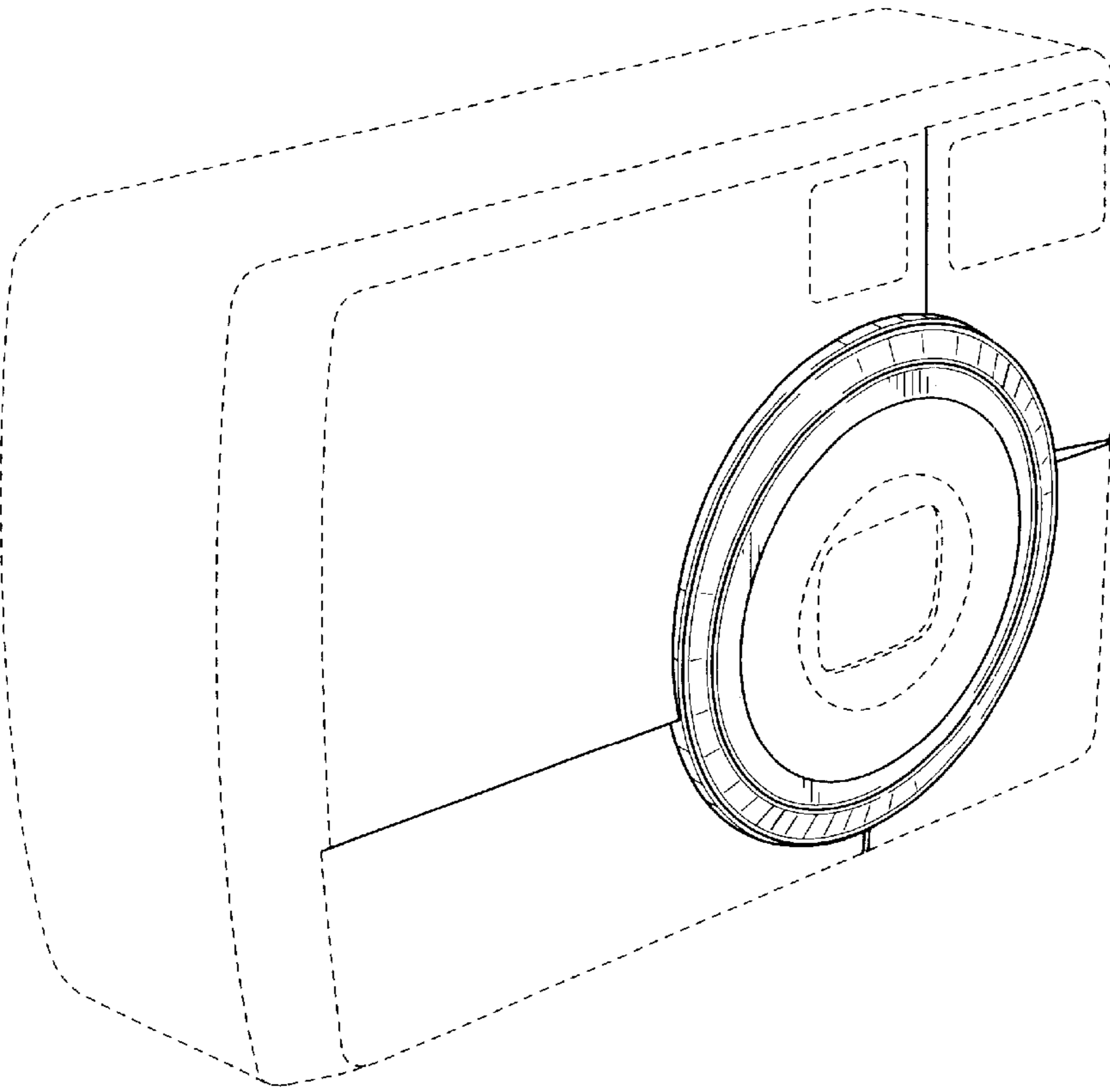
**U.S. PATENT DOCUMENTS**

D179,518 S \* 1/1957 Martinez ..... D16/134

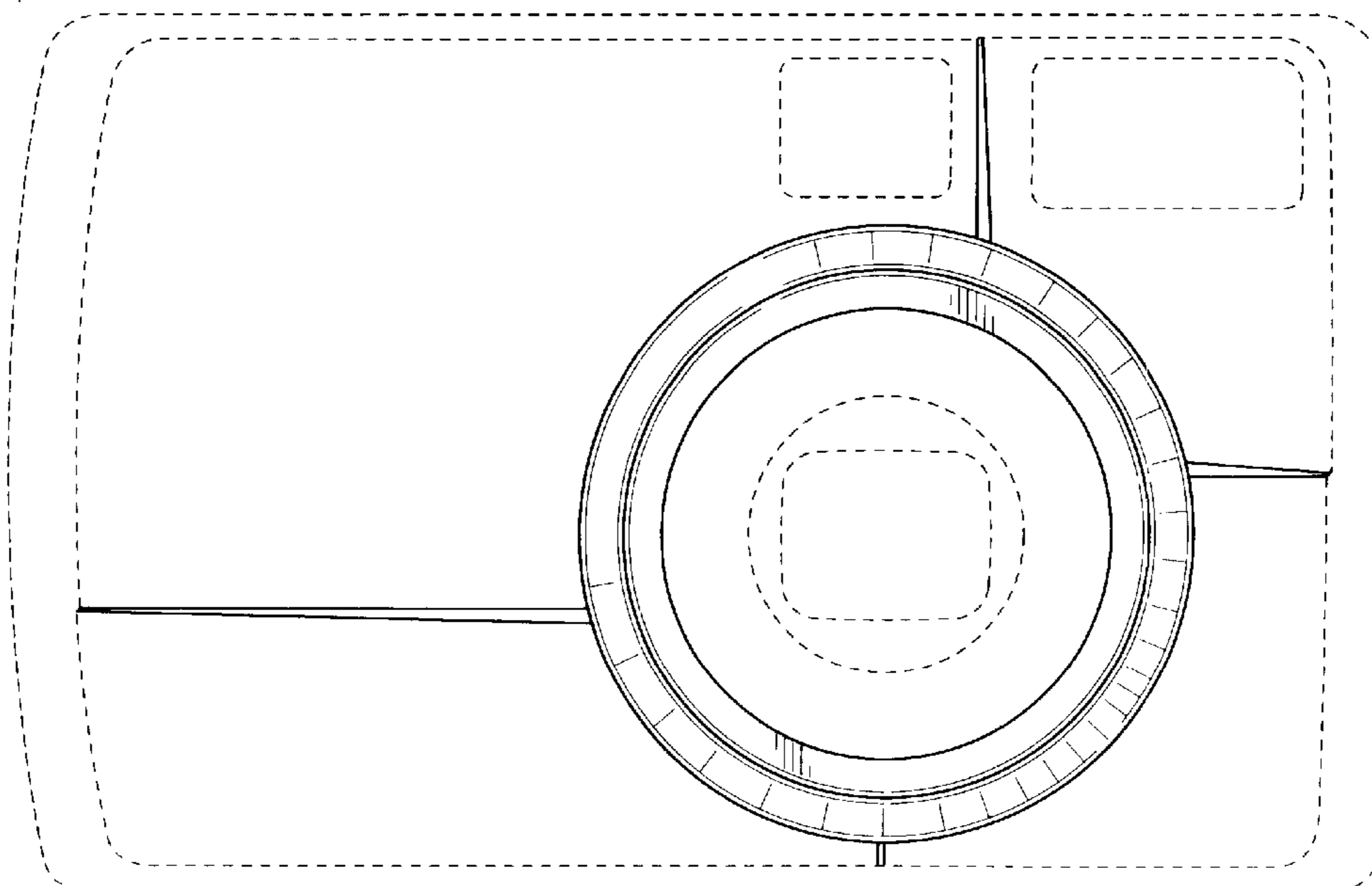
**1 Claim, 3 Drawing Sheets**



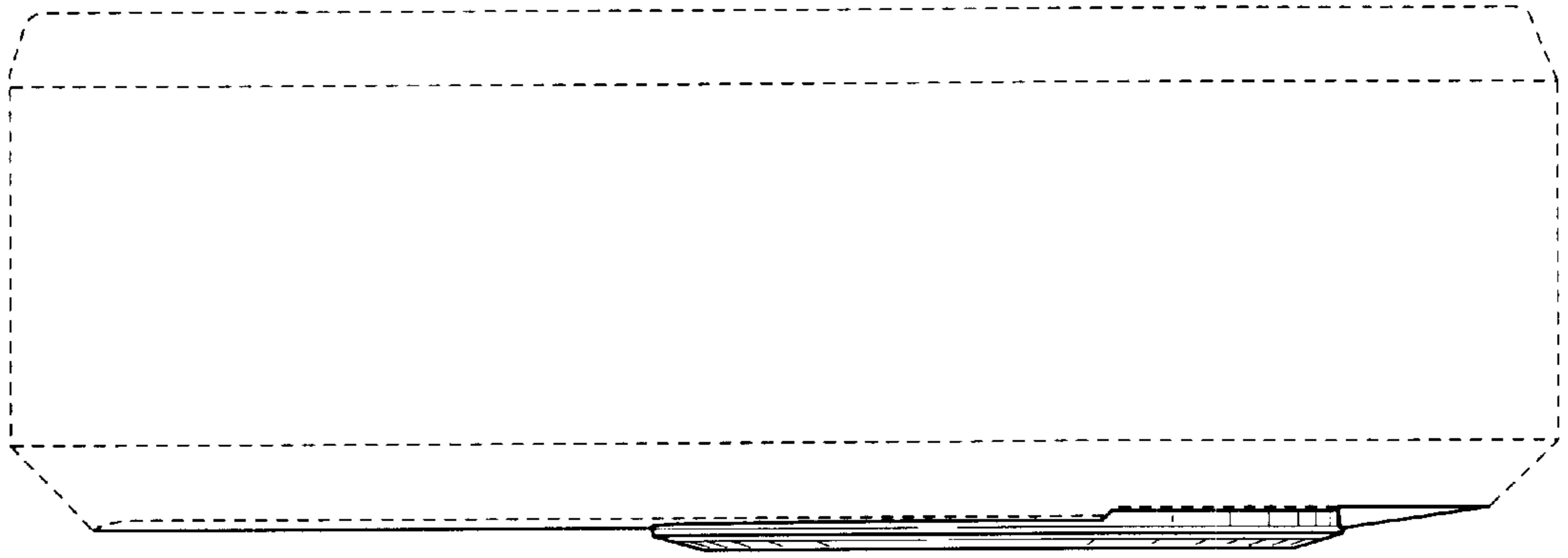
*FIG. 1*



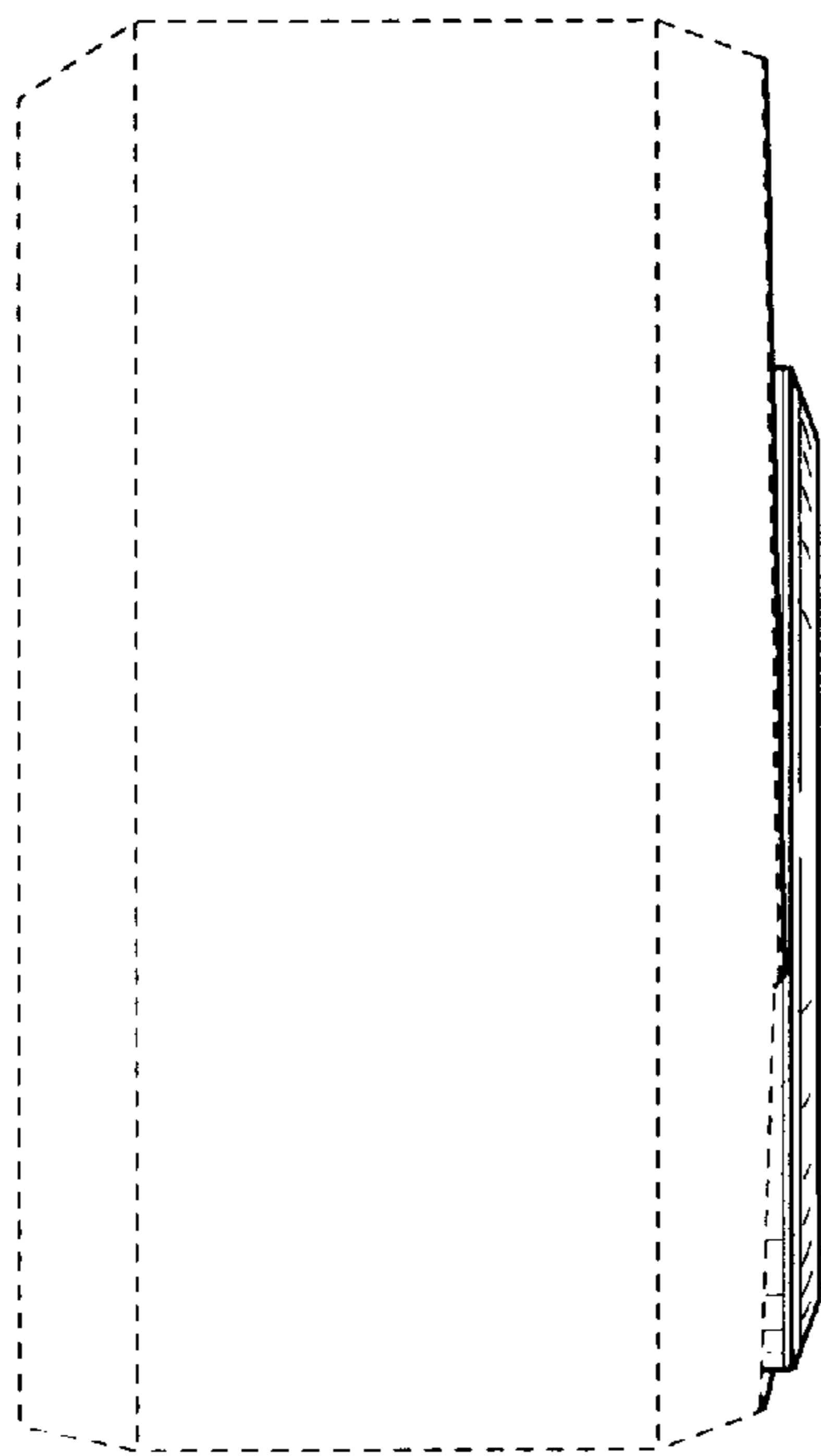
*FIG. 2*



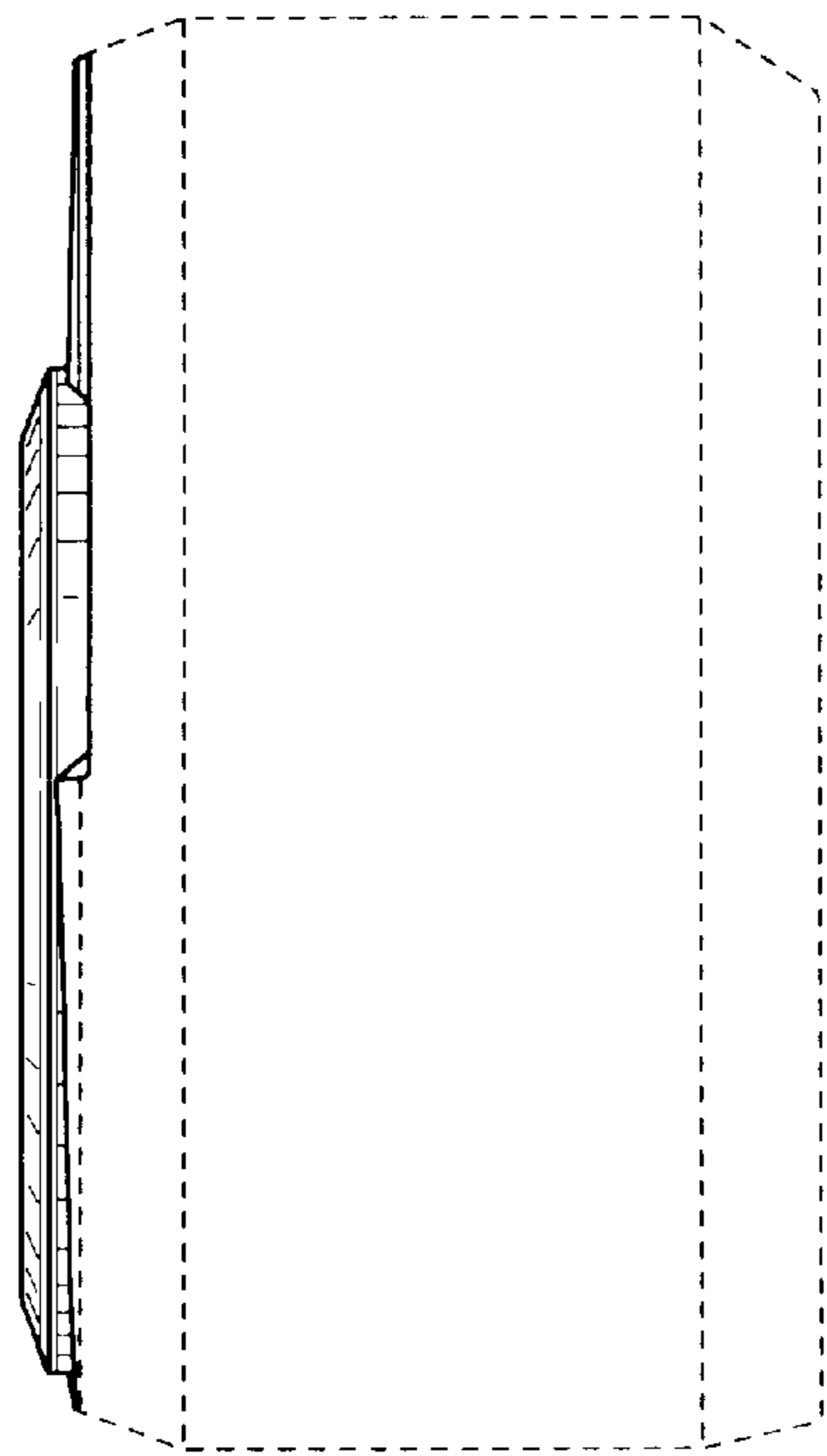
**FIG. 3**



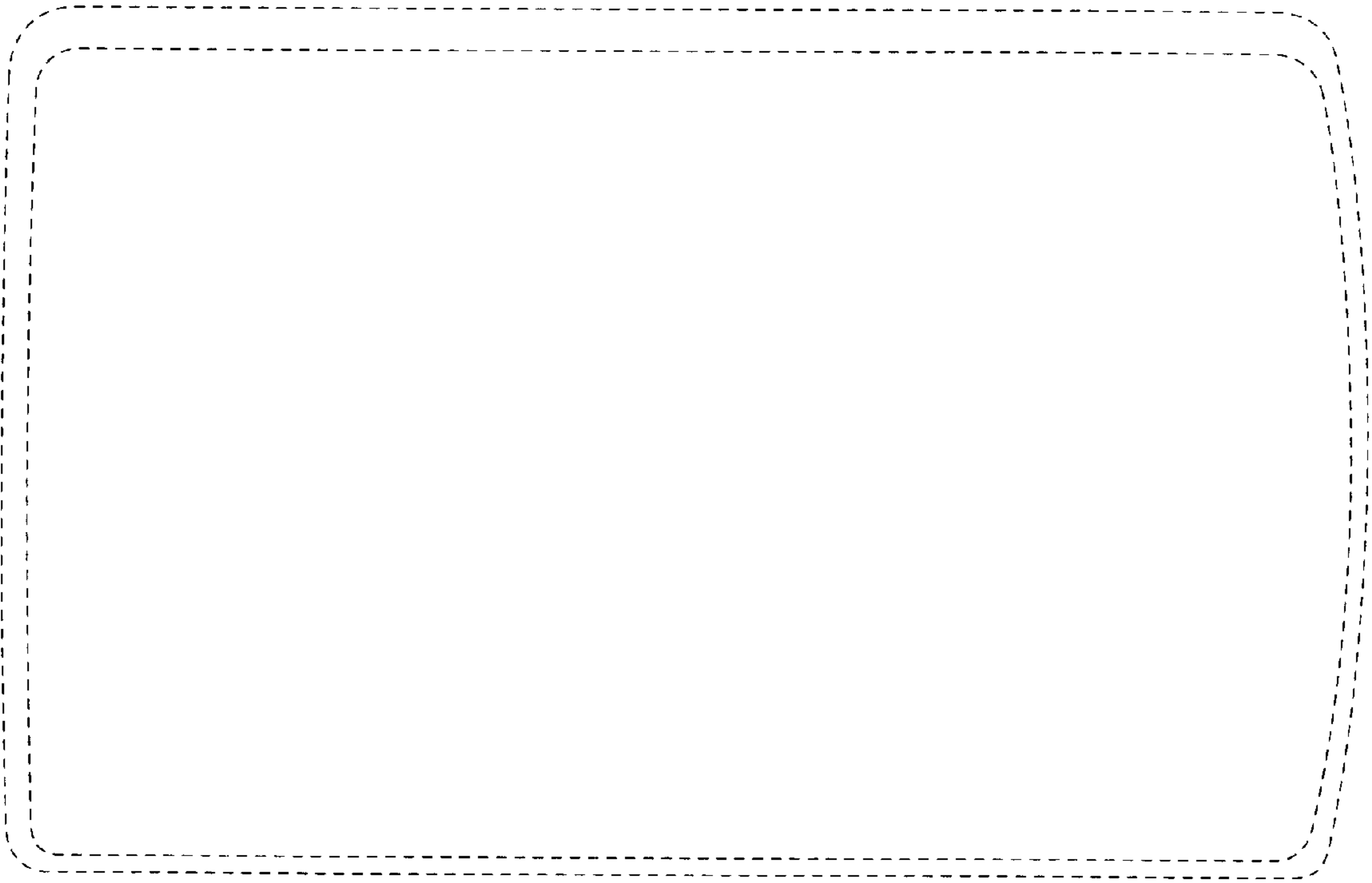
**FIG. 4**



**FIG. 5**



*FIG. 6*



*FIG. 7*

