



US00D465501S

(12) **United States Design Patent**  
**Zhang et al.**

(10) **Patent No.:** **US D465,501 S**

(45) **Date of Patent:** **\*\* Nov. 12, 2002**

(54) **BENCH DRILL**

(75) Inventors: **Ross Zhang**, Qingdao (CN); **Legen Zhang**, Qingdao (CN)

(73) Assignee: **Qingdao DayMaster Hardware & Tools, Co., Ltd.**, Qingdao (CN)

(\*\*) Term: **14 Years**

(21) Appl. No.: **29/149,497**

(22) Filed: **Oct. 10, 2001**

(30) **Foreign Application Priority Data**

Jul. 23, 2001 (CN) ..... 01 3 21354

(51) **LOC (7) Cl.** ..... **15-09**

(52) **U.S. Cl.** ..... **D15/132**

(58) **Field of Search** ..... D15/132; 29/26 R, 29/27 A, 560, 26 A; 144/1.1, 46, 365, 253.2; 408/20, 87, 91, 103, 110, 129, 135, 140; 409/220, 227

(56) **References Cited**

**U.S. PATENT DOCUMENTS**

D330,558 S \* 10/1992 Chang ..... D15/132  
5,765,273 A \* 6/1998 Mora et al. .... 29/550

5,769,575 A \* 6/1998 Stofflet et al. .... 408/17  
D412,509 S \* 8/1999 Chen et al. .... D15/132  
5,960,531 A \* 10/1999 Mora et al. .... 29/560  
5,980,167 A \* 11/1999 Chen ..... 408/87  
6,102,089 A \* 8/2000 McCormick ..... 144/1.1

\* cited by examiner

*Primary Examiner*—Antoine Duval Davis

(74) *Attorney, Agent, or Firm*—Weiner & Burt, P.C.; Irving M. Weiner; Pamela S. Burt

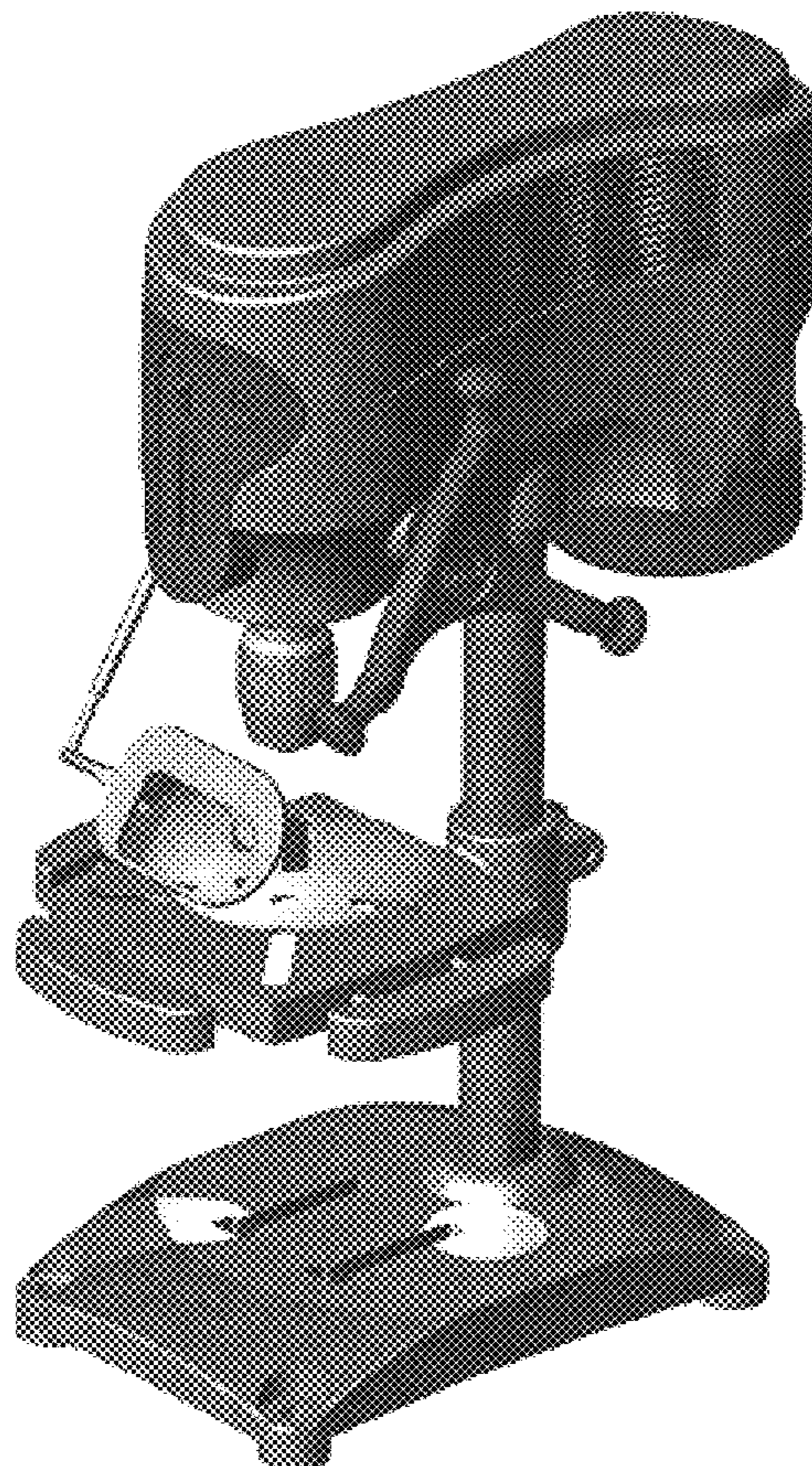
(57) **CLAIM**

The ornamental design for a bench drill, as shown and described.

**DESCRIPTION**

FIG. 1 is a front view of the Invention;  
FIG. 2 is a rear view of the Invention;  
FIG. 3 is a view of the Invention taken from the left side of FIG. 1;  
FIG. 4 is a view of the Invention taken from the right side of FIG. 1;  
FIG. 5 is a top view of the Invention in FIG. 1;  
FIG. 6 is a bottom view of the Invention in FIG. 1;  
FIG. 7 is a perspective view of the Invention.

**1 Claim, 4 Drawing Sheets**





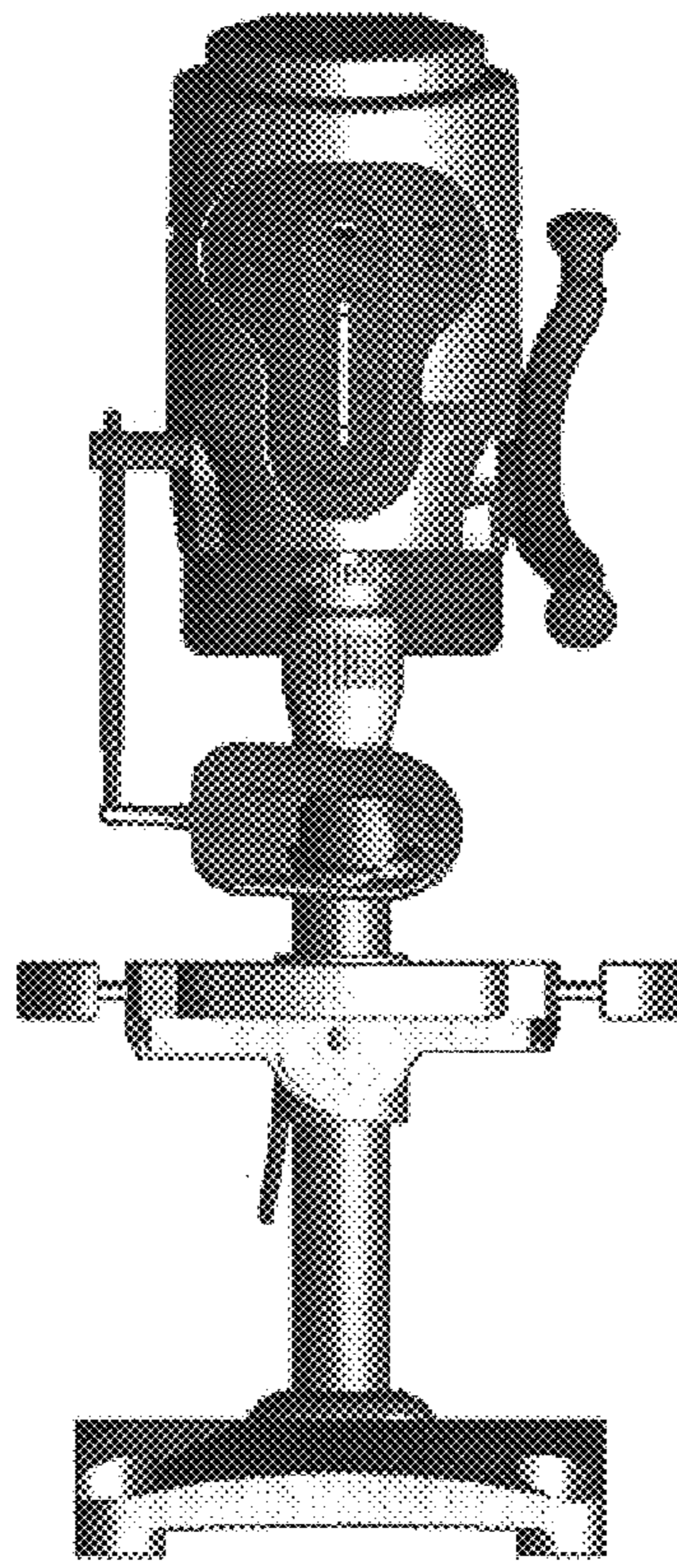


Fig 1

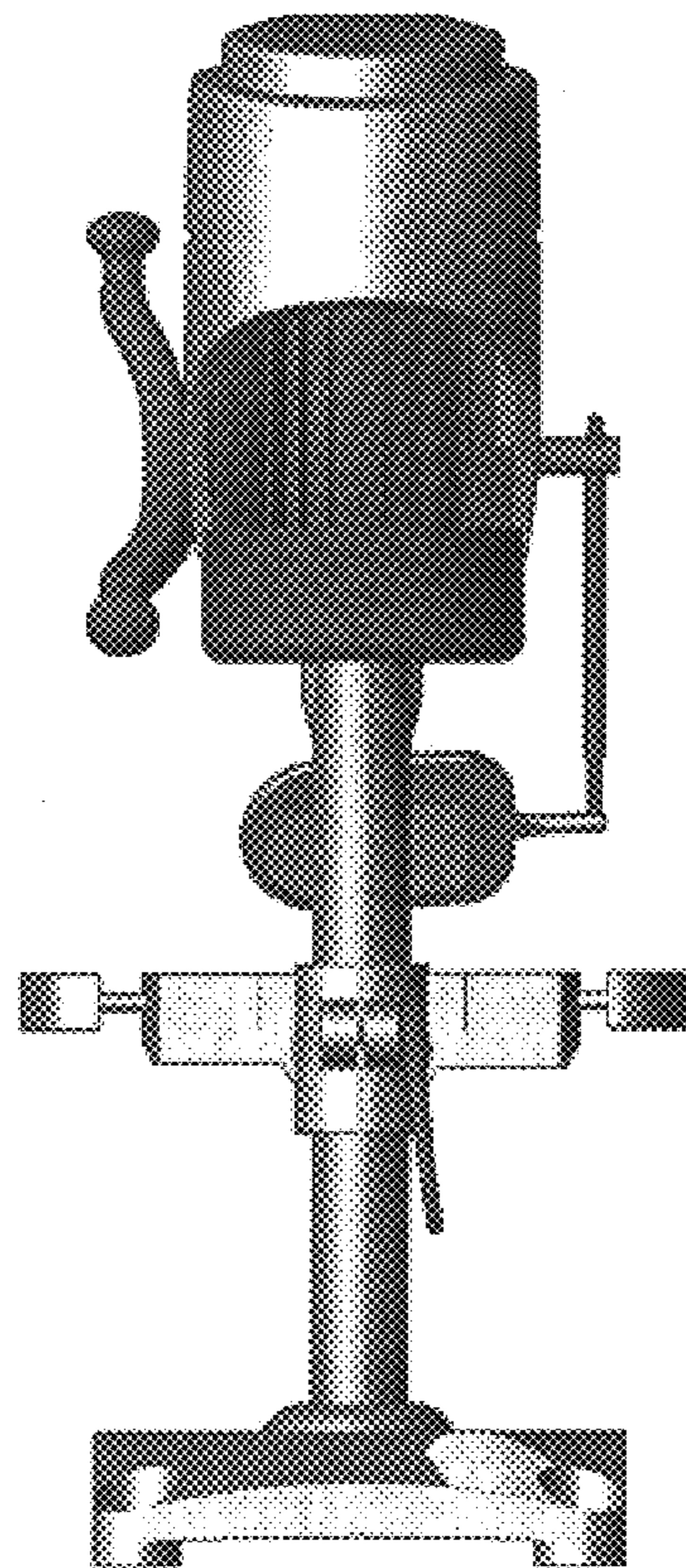


Fig 2



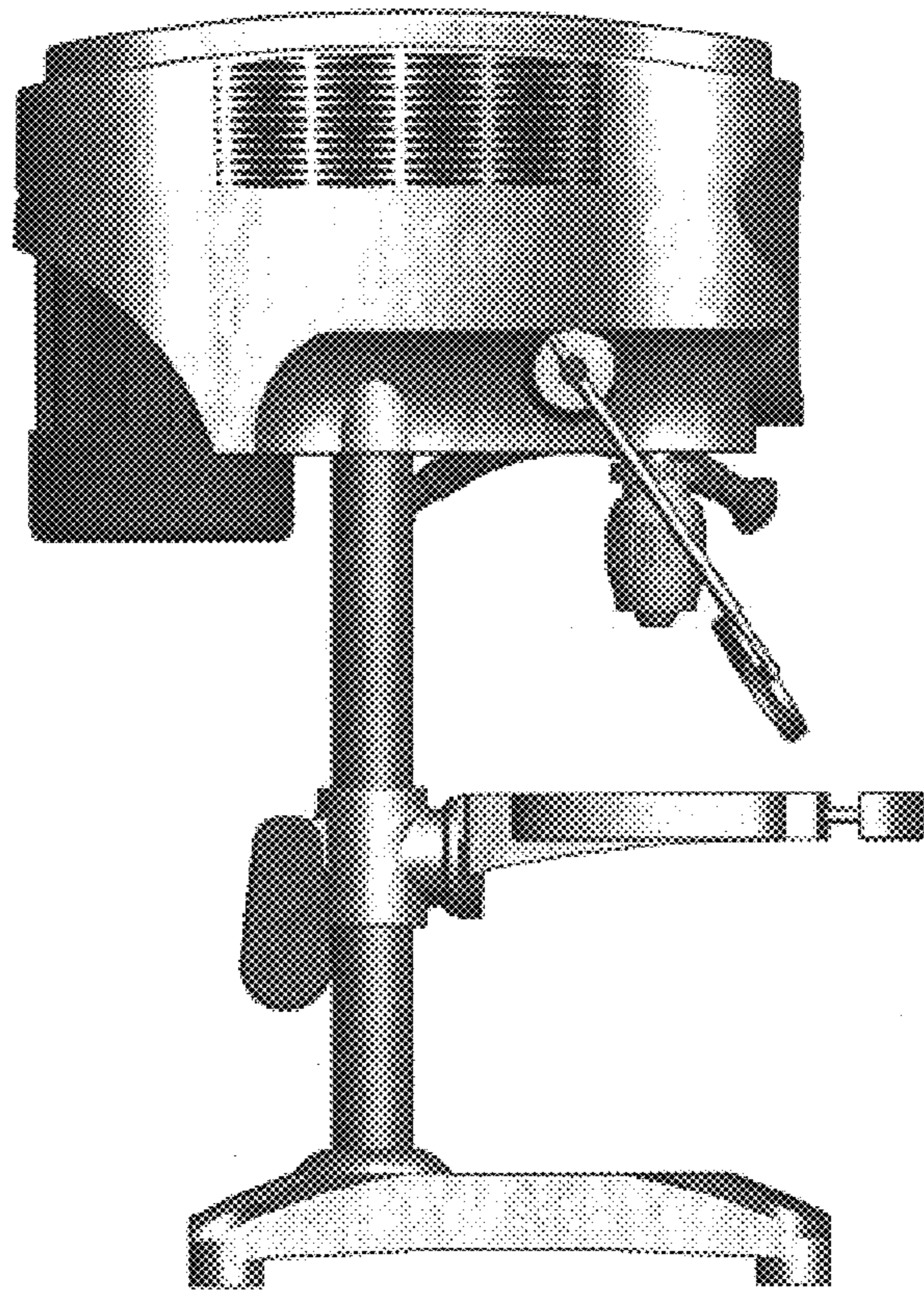


Fig 3

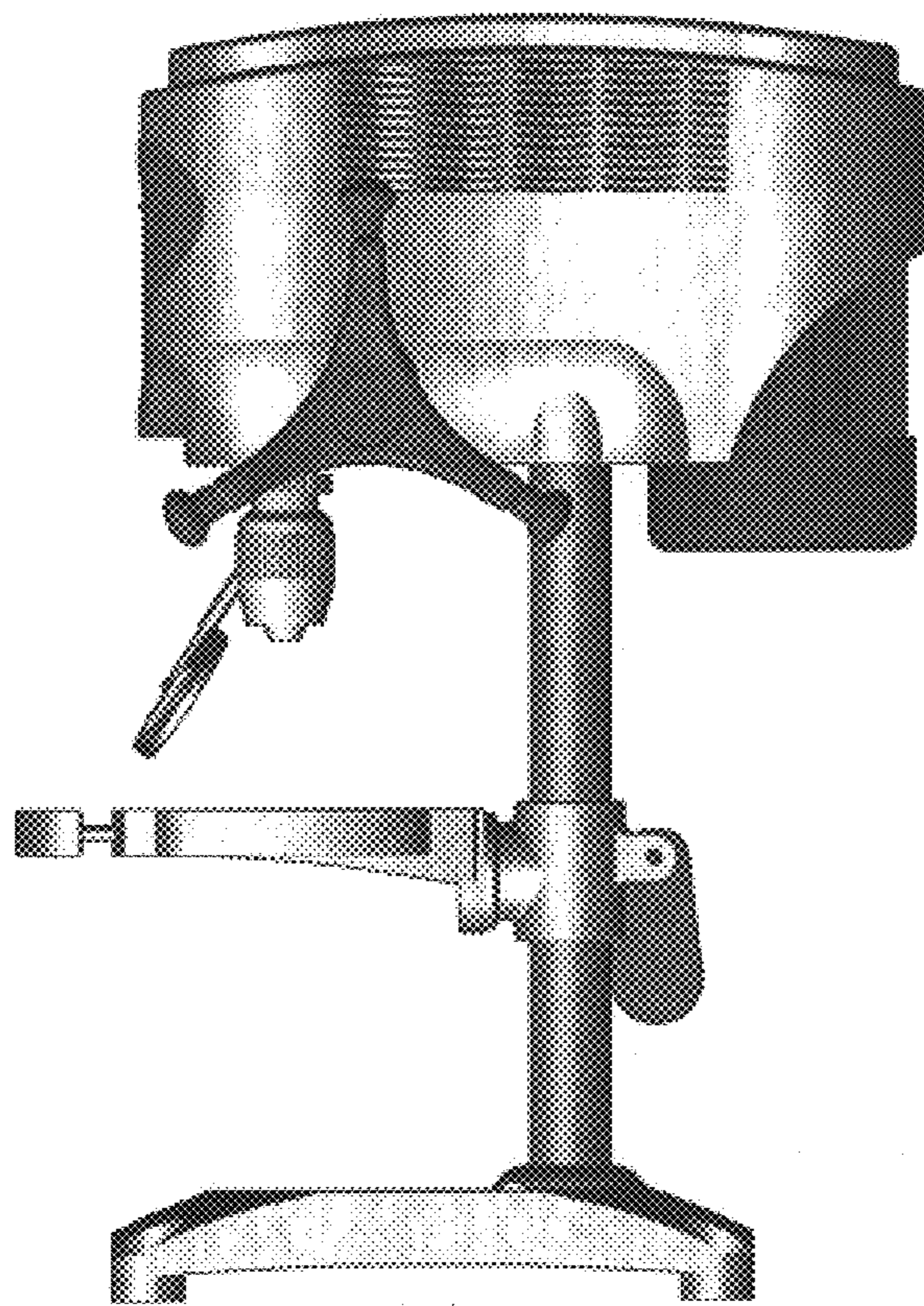


Fig 4



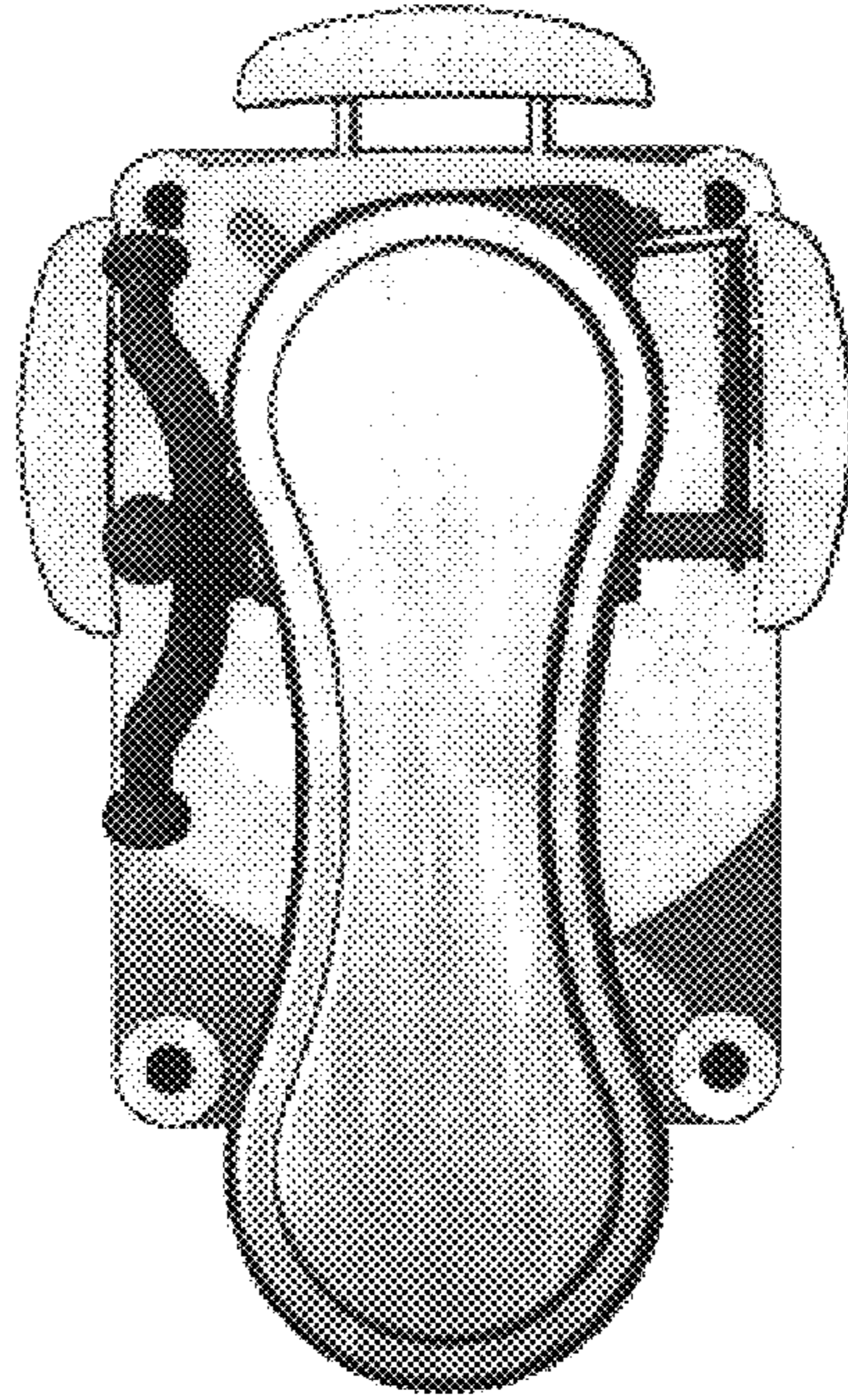


Fig 5

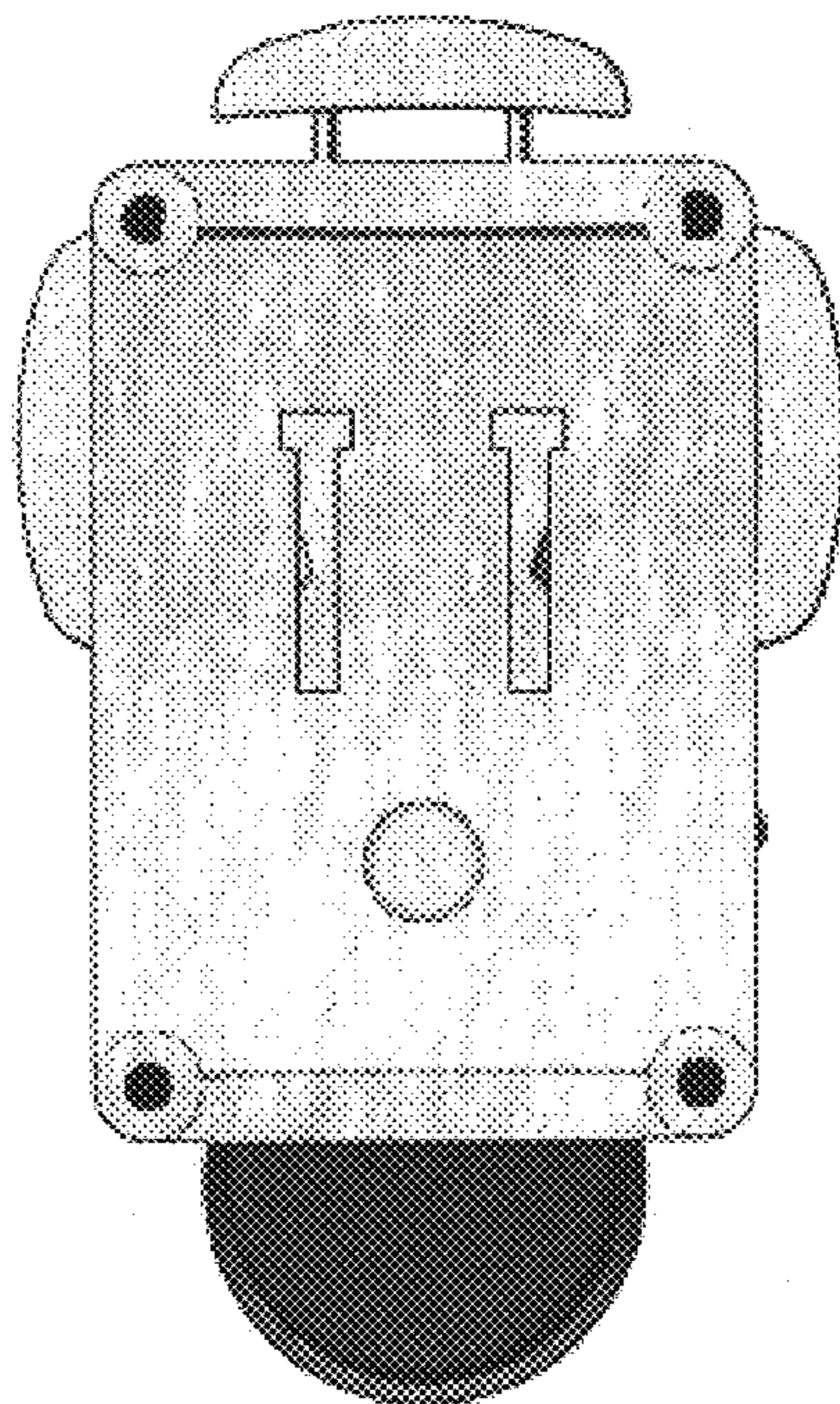


Fig 6



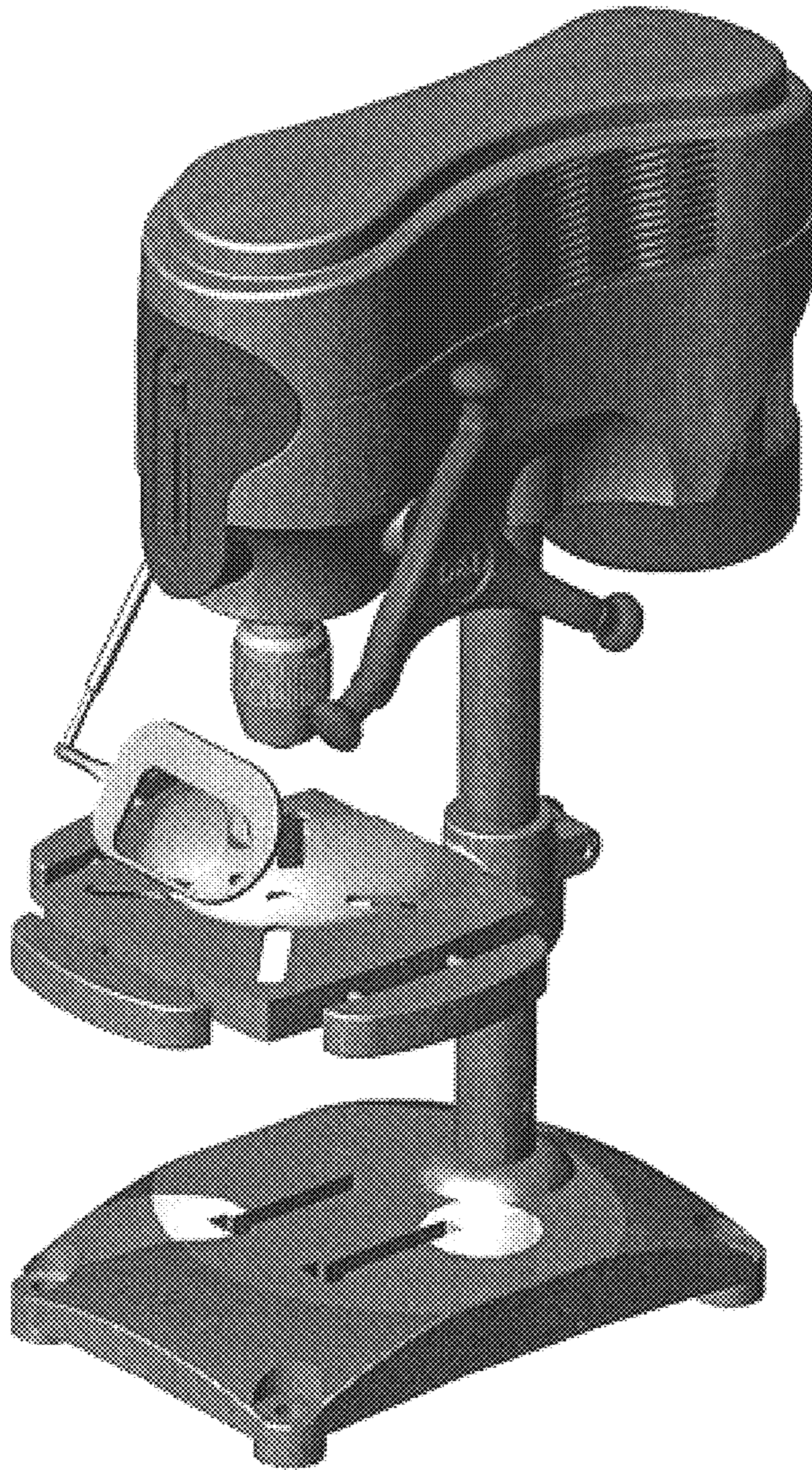


Fig 7