



US00D465499S

(12) **United States Design Patent**
Briggs et al.

(10) **Patent No.:** **US D465,499 S**

(45) **Date of Patent:** **** Nov. 12, 2002**

(54) **TRACTOR PORTION OF AN ARTICULATED WORK MACHINE**

D267,486 S * 1/1983 Martin, Jr. D15/30
D297,329 S * 8/1988 Monehaie et al. D15/30
D307,203 S * 4/1990 Martinez D15/30

(75) Inventors: **Robert W. Briggs**, Washington, IL (US); **Gary C. Bryant**, Chillicothe, IL (US); **Kolin J. Kirschenmann**, Decatur, IL (US); **Ian McCulloch**, Billingham (GB); **William Pack**, South Shields (GB); **Larry T. Ryterski**, Decatur, IL (US)

* cited by examiner

Primary Examiner—Mitchell Siegel
(74) *Attorney, Agent, or Firm*—Thomas L Derry

(73) Assignee: **Solar Turbines Inc**, San Diego, CA (US)

(57) **CLAIM**
The ornamental design for a tractor portion of an articulated work machine, as shown and described.

(**) Term: **14 Years**

DESCRIPTION

(21) Appl. No.: **29/156,428**

FIG. 1 is a perspective view showing the front, top and right side of a tractor portion of an articulated work machine having our new design;

(22) Filed: **Feb. 28, 2002**

FIG. 2 is a right side elevational view thereof, the broken line showing of the trailer is for illustrative purposes only and forms no part of the claimed design;

Related U.S. Application Data

(62) Division of application No. 29/120,991, filed on Mar. 30, 2000.

FIG. 3 is a right side elevational view thereof;

(51) **LOC (7) Cl.** **15-03**

(52) **U.S. Cl.** **D15/30**

FIG. 4 is a left side elevational view thereof;

(58) **Field of Search** D15/10, 30, 22-26;
180/89.12, 89.13, 89.16, 89.18, 89.19, 322-326,
333-336; 296/190, 192

FIG. 5 is a top plan view thereof;

FIG. 6 is a front elevational view thereof; and,

FIG. 7 is a rear elevational view thereof.

The bottom surface does not form part of the claimed design and therefore is not disclosed.

(56) **References Cited**

The broken line showing is for illustrative purposes only and forms no part of the claimed design.

U.S. PATENT DOCUMENTS

D144,083 S * 3/1946 Swanson D15/30

1 Claim, 7 Drawing Sheets

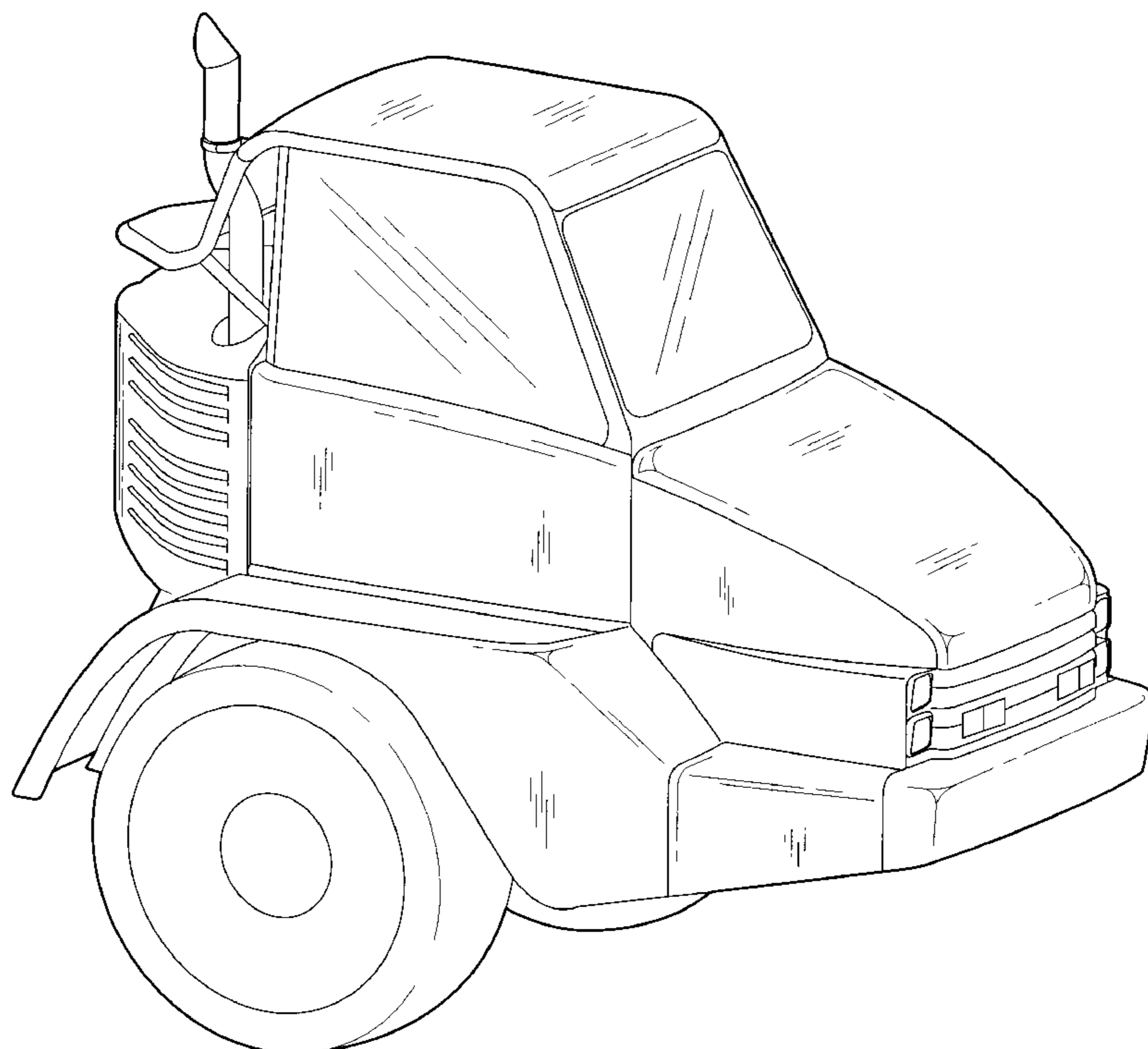


FIG. 1.

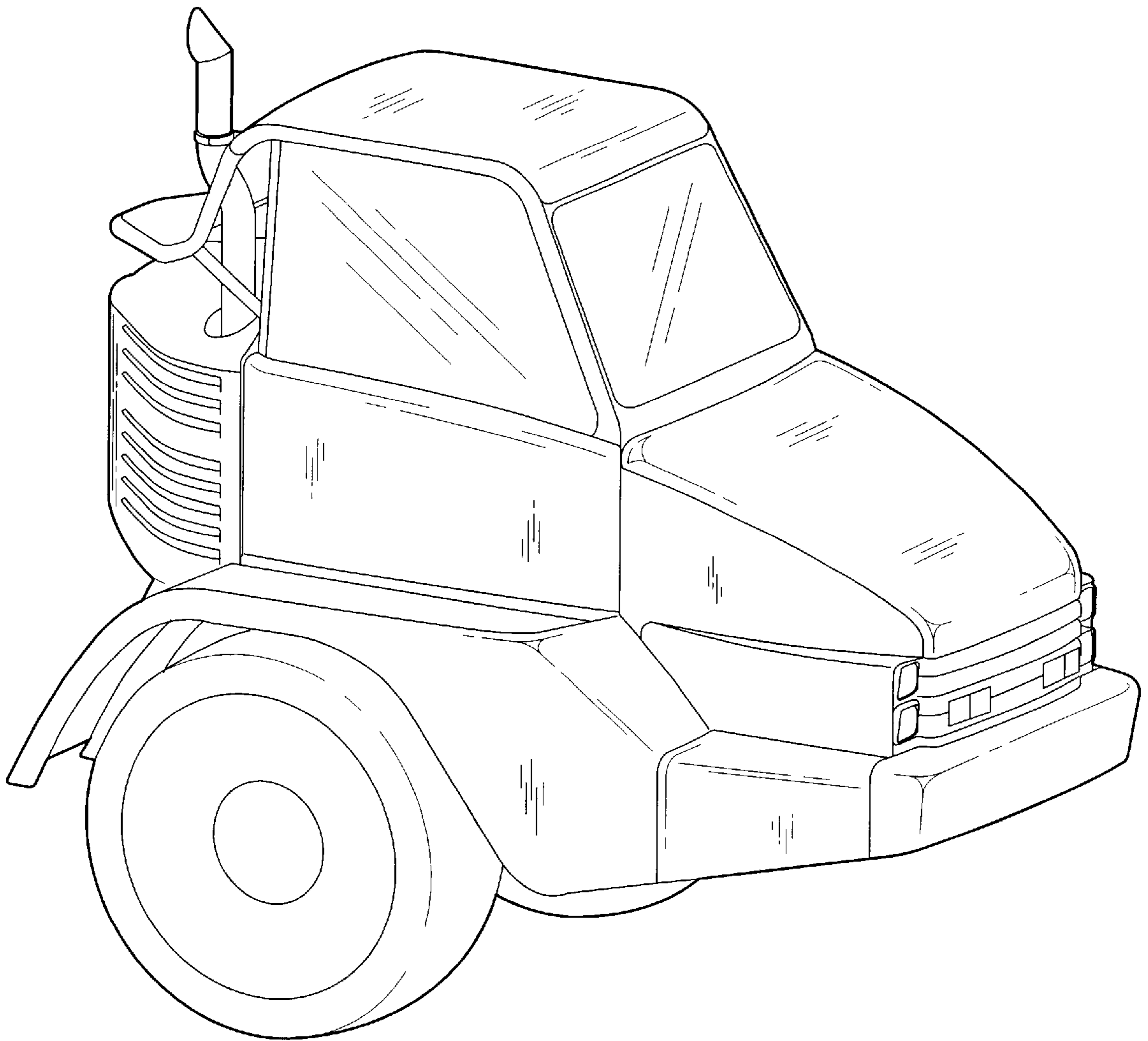


FIG. 2

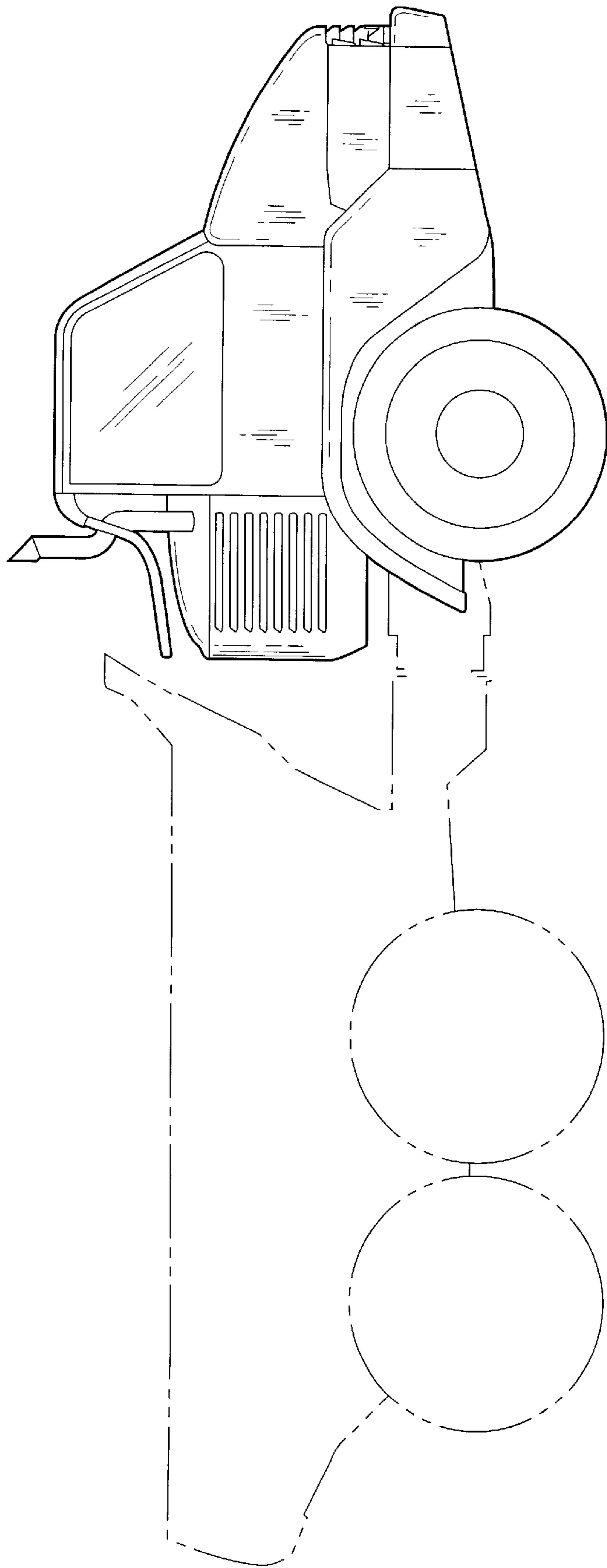


FIG. 3.

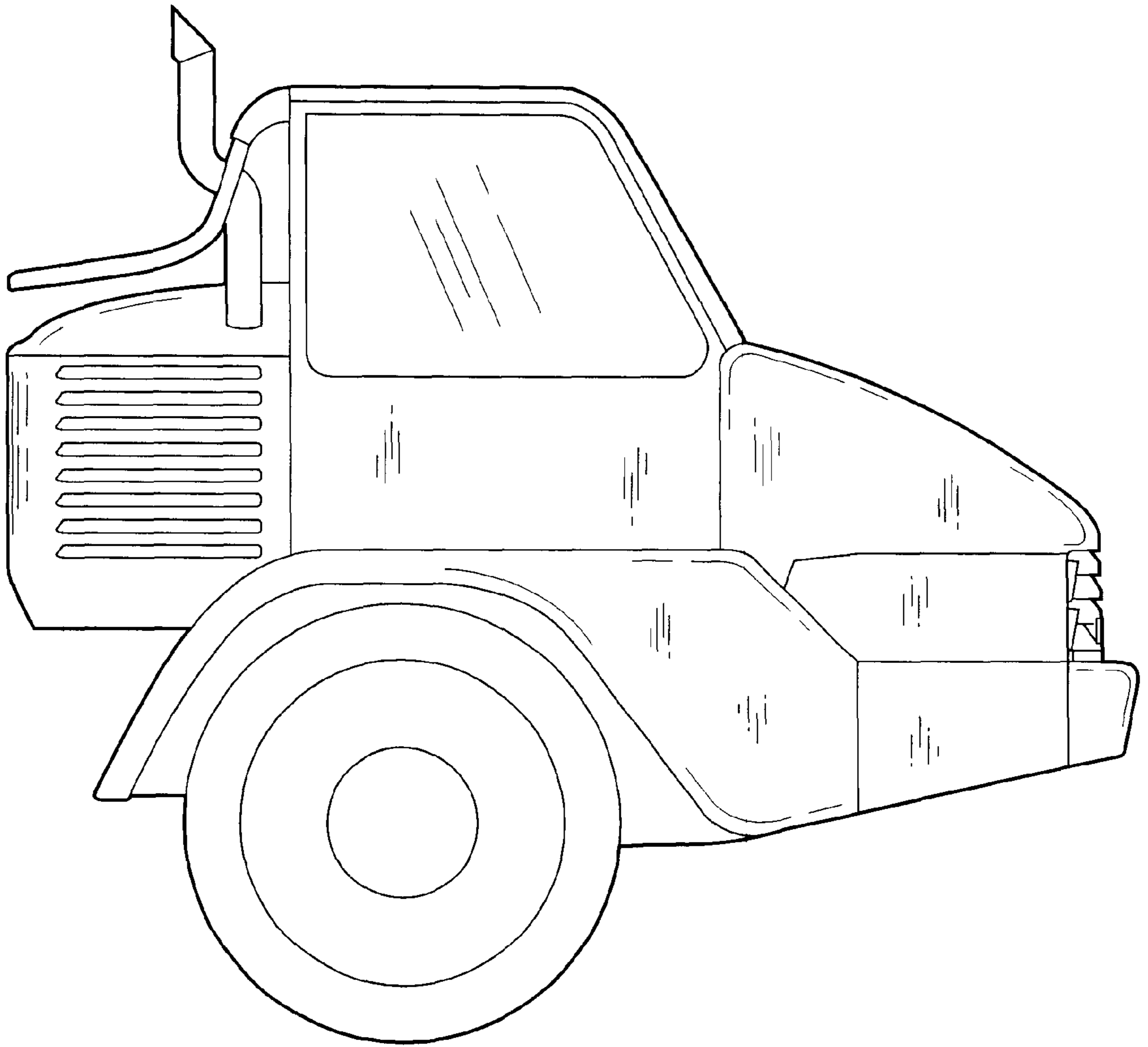


FIG. 4.

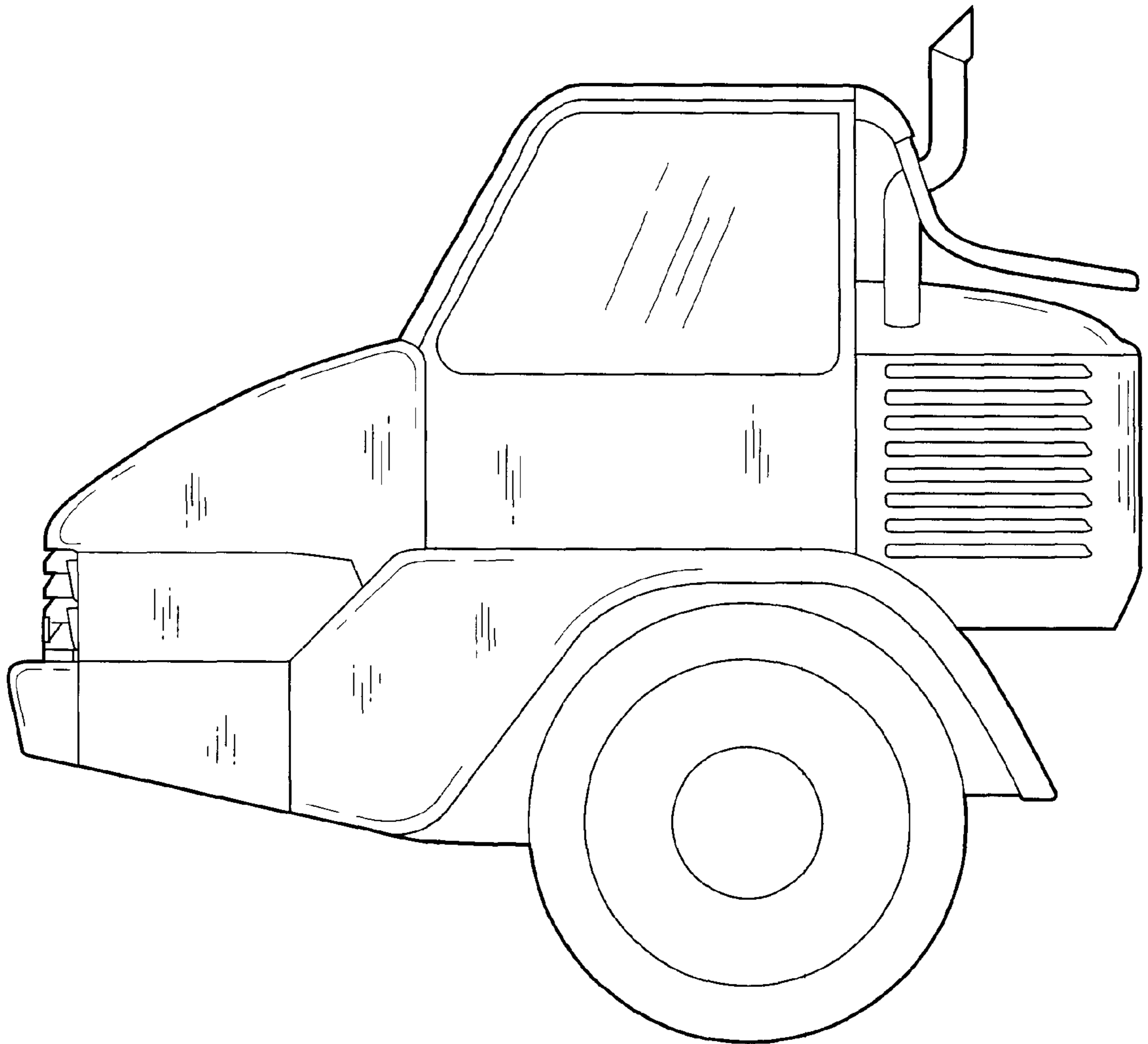


FIG. 5.

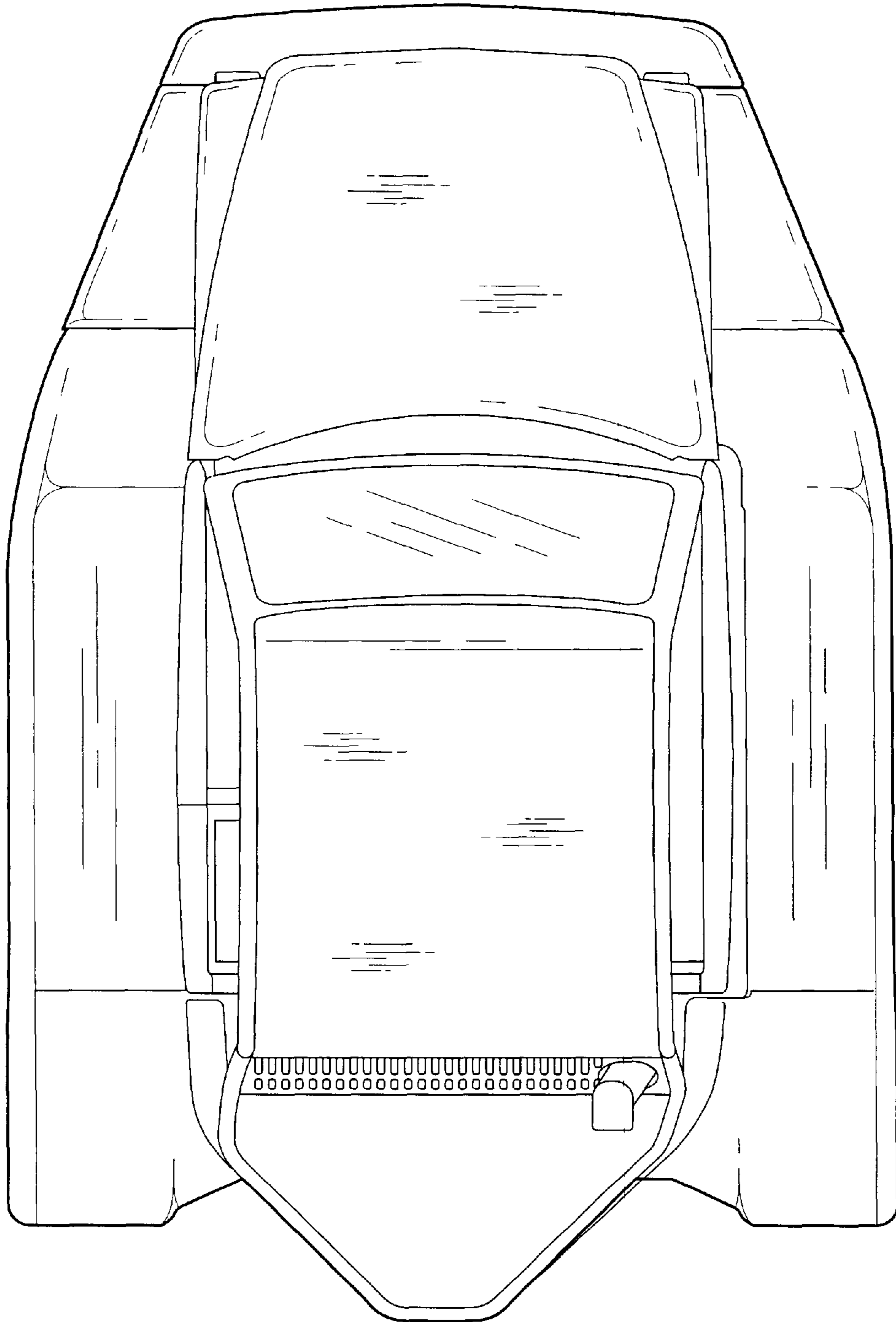


FIG. 6.

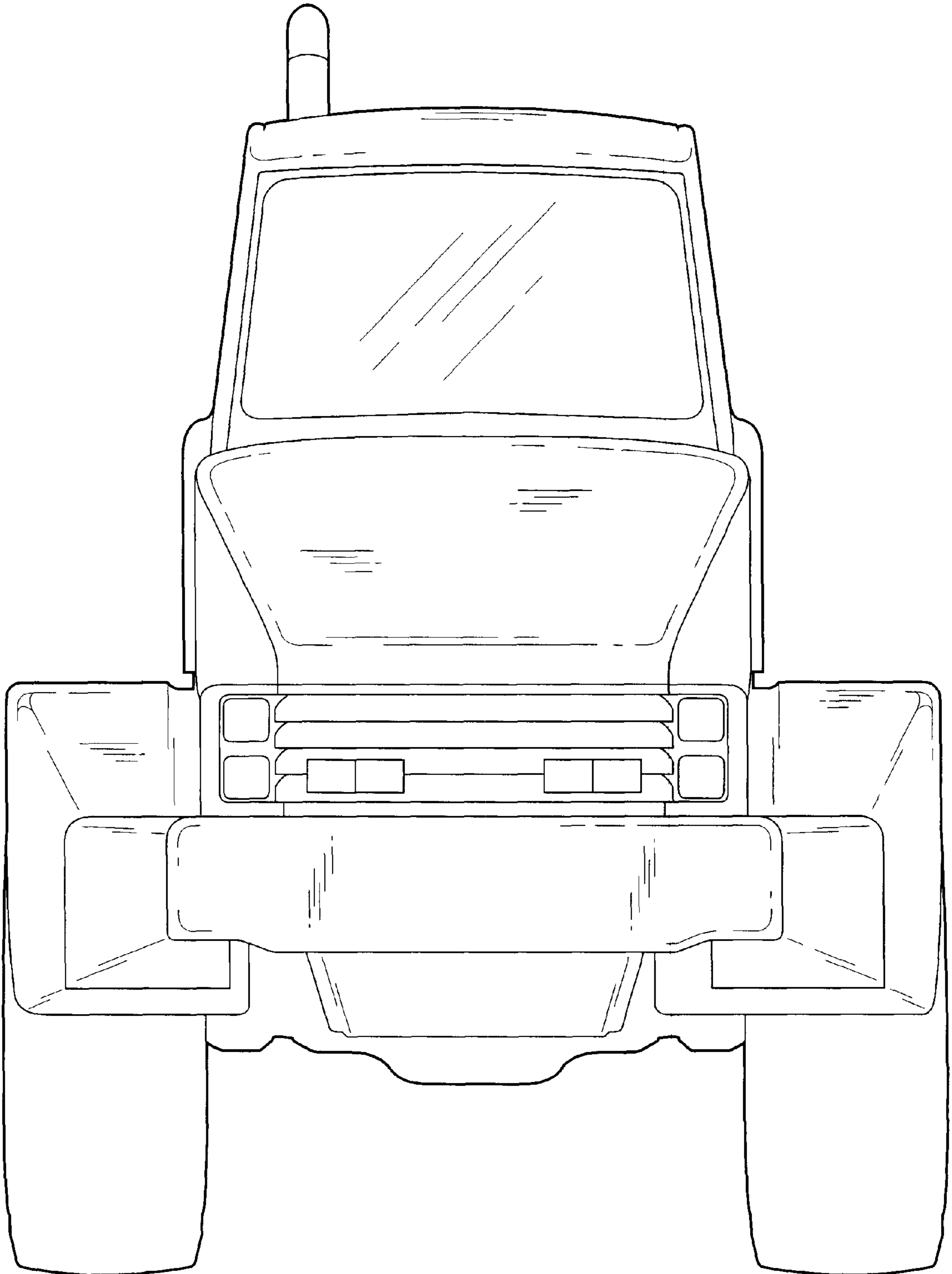
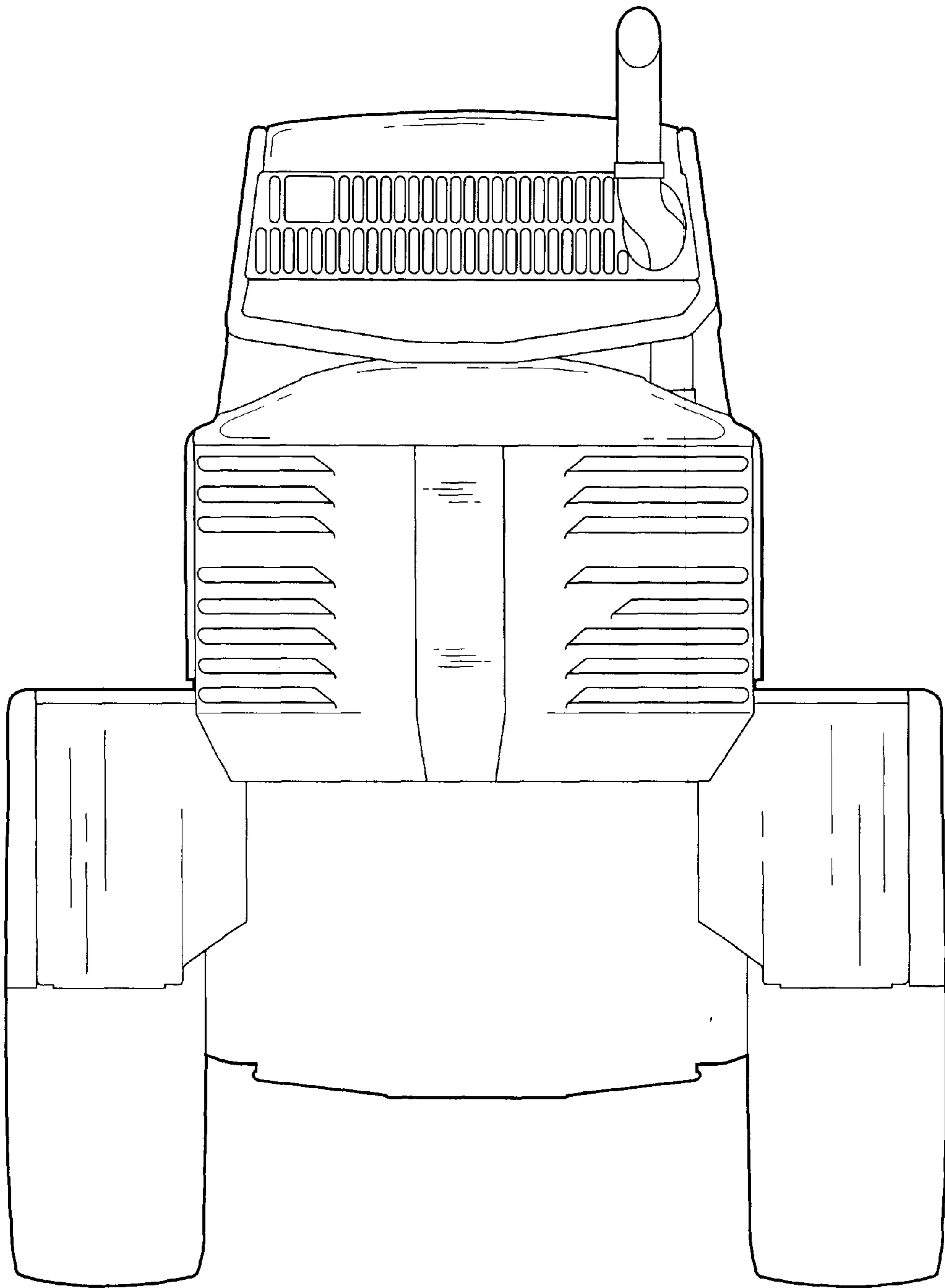


FIG. 7.



UNITED STATES PATENT AND TRADEMARK OFFICE
CERTIFICATE OF CORRECTION

PATENT NO. : Des. 465,499 S
DATED : November 12, 2002
INVENTOR(S) : Robert W. Briggs et al.

Page 1 of 1

It is certified that error appears in the above-identified patent and that said Letters Patent is hereby corrected as shown below:

Title page,

Item [73], Assignee, please change Assignee designation of "**Solar Turbines Inc.**" to
-- **Caterpillar S.A.R.L.**, --

Signed and Sealed this

Ninth Day of September, 2003

A handwritten signature in black ink, appearing to read "James E. Rogan", with a horizontal line drawn underneath it.

JAMES E. ROGAN
Director of the United States Patent and Trademark Office