



US00D465492S

(12) **United States Design Patent**
Scribner

(10) **Patent No.:** **US D465,492 S**

(45) **Date of Patent:** **** Nov. 12, 2002**

(54) **MONITOR**

(75) Inventor: **Paul L. Scribner**, Walkerton, IN (US)

(73) Assignee: **Audiovox Specialized Applications, LLC**, Elkhart, IN (US)

(**) Term: **14 Years**

(21) Appl. No.: **29/151,123**

(22) Filed: **Oct. 25, 2001**

(51) **LOC (7) Cl.** **14-02**

(52) **U.S. Cl.** **D14/375**

(58) **Field of Search** D14/371, 374,
D14/375, 376, 342, 125-129; 341/12; 345/104,
156, 168, 173; 348/180, 184, 325, 739;
349/1, 2, 11, 62; D10/102, 46

(56) **References Cited**

U.S. PATENT DOCUMENTS

D296,770 S	*	7/1988	Lloyd	D10/102
D314,346 S	*	2/1991	Spencer et al.	D10/46
D363,468 S	*	10/1995	Mieki et al.	D14/342
D414,473 S	*	9/1999	Kummel et al.	D14/374

* cited by examiner

Primary Examiner—Freda Nunn

(74) *Attorney, Agent, or Firm*—Alzheimer & Gray

(57) **CLAIM**

The ornamental design for a monitor, as shown and described.

DESCRIPTION

FIG. 1 is a front elevational view of a monitor and optional stand showing the new design;

FIG. 2 is a rear elevational view of the monitor and optional stand;

FIG. 3 is a right-side elevational view of the monitor and optional stand;

FIG. 4 is a left-side elevational view of the monitor and optional stand;

FIG. 5 is a top plan view of the monitor and optional stand;

FIG. 6 is a bottom plan view of the monitor and optional stand;

FIG. 7 is front elevational view of the monitor and optional sun-shield showing the new design;

FIG. 8 is a rear elevational view of the monitor and optional sun-shield;

FIG. 9 is a right-side elevational view of the monitor and optional sun-shield;

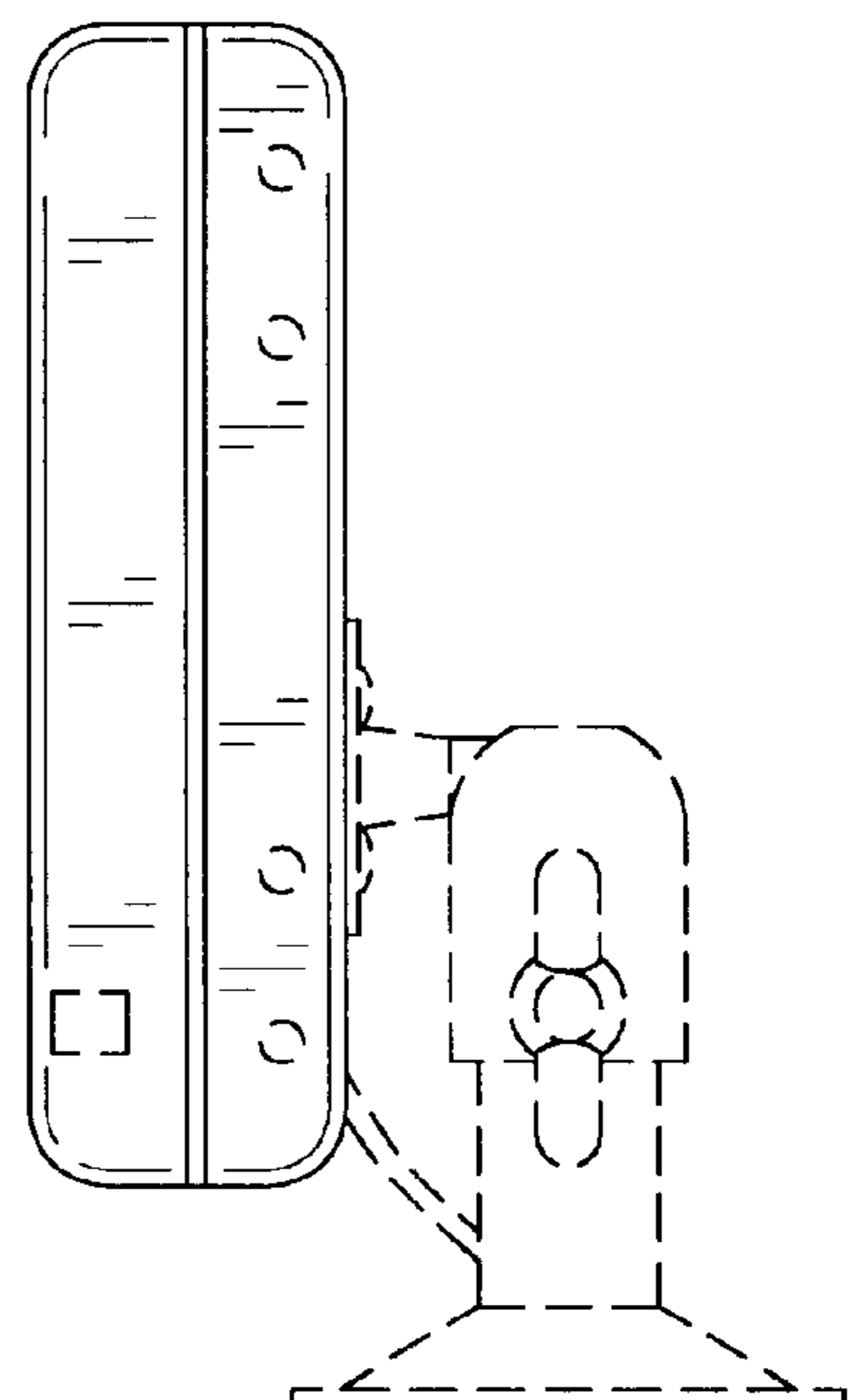
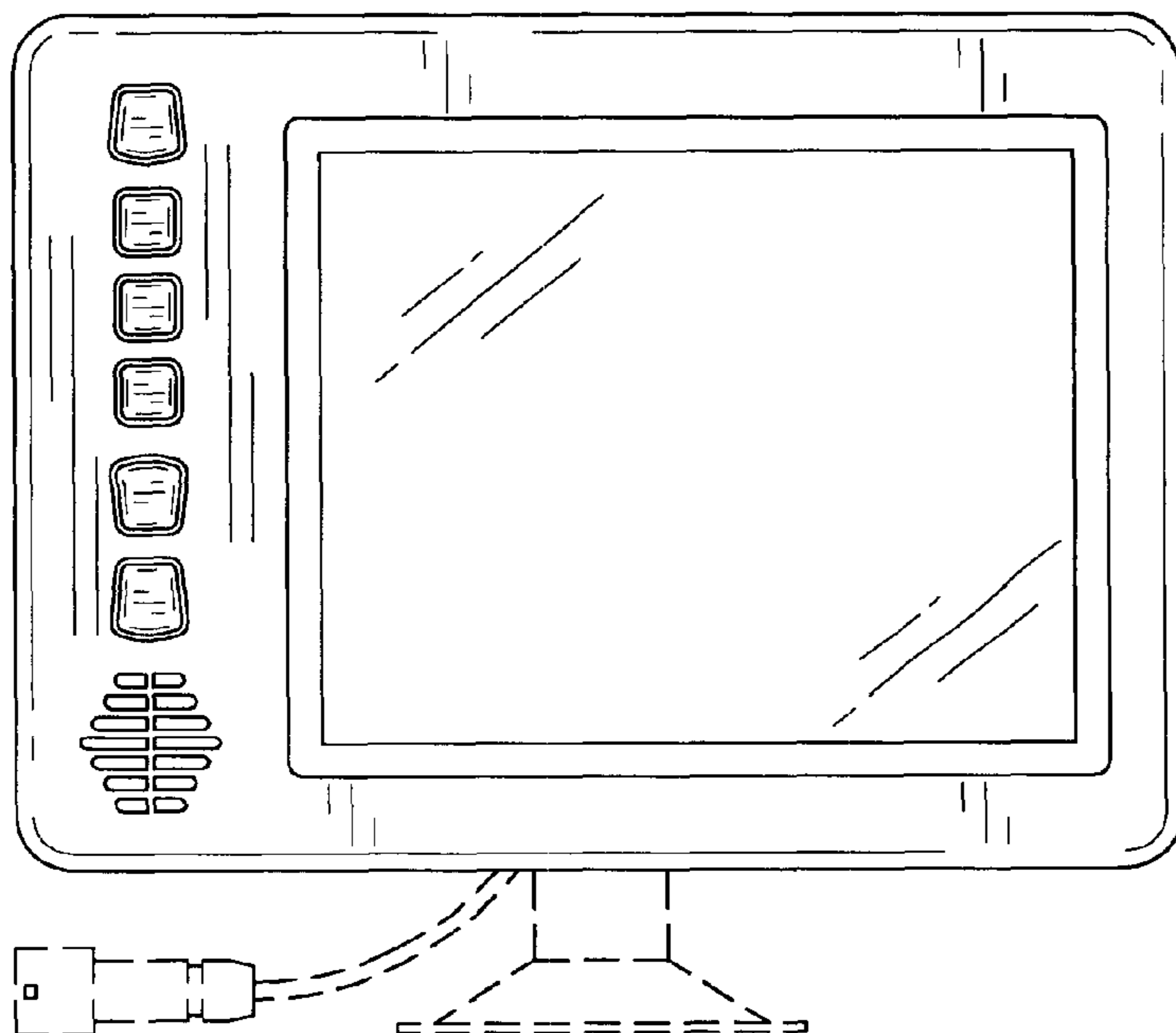
FIG. 10 is a left-side elevational view of the monitor and optional sun-shield;

FIG. 11 is a top plan view of the monitor and optional sun-shield; and,

FIG. 12 is a bottom plan view of the monitor and optional sun-shield.

The broken lines shown in FIGS. 1-12 are for illustrative purposes and form no part of the claimed design.

1 Claim, 6 Drawing Sheets



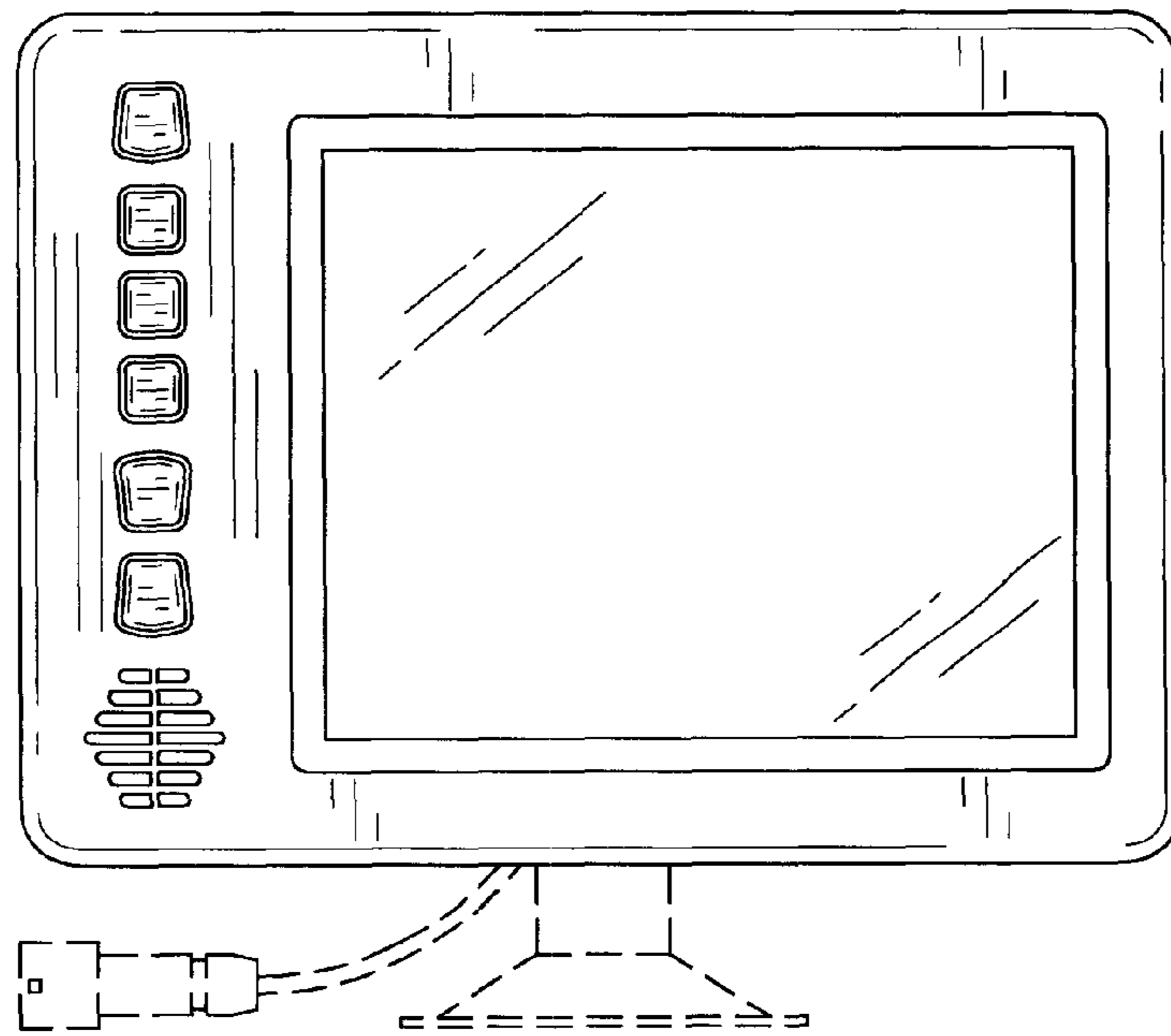


FIG. 1

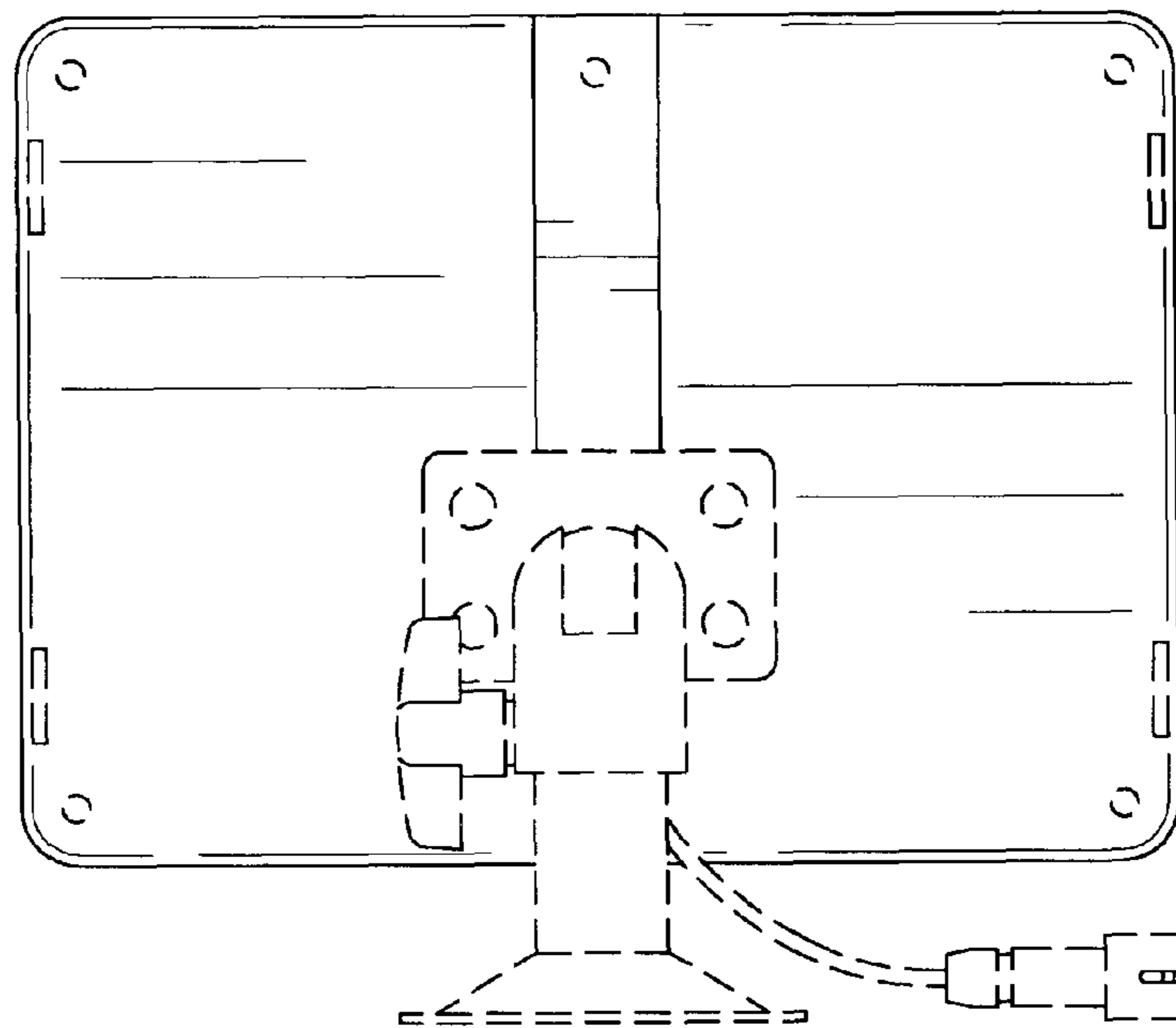


FIG. 2

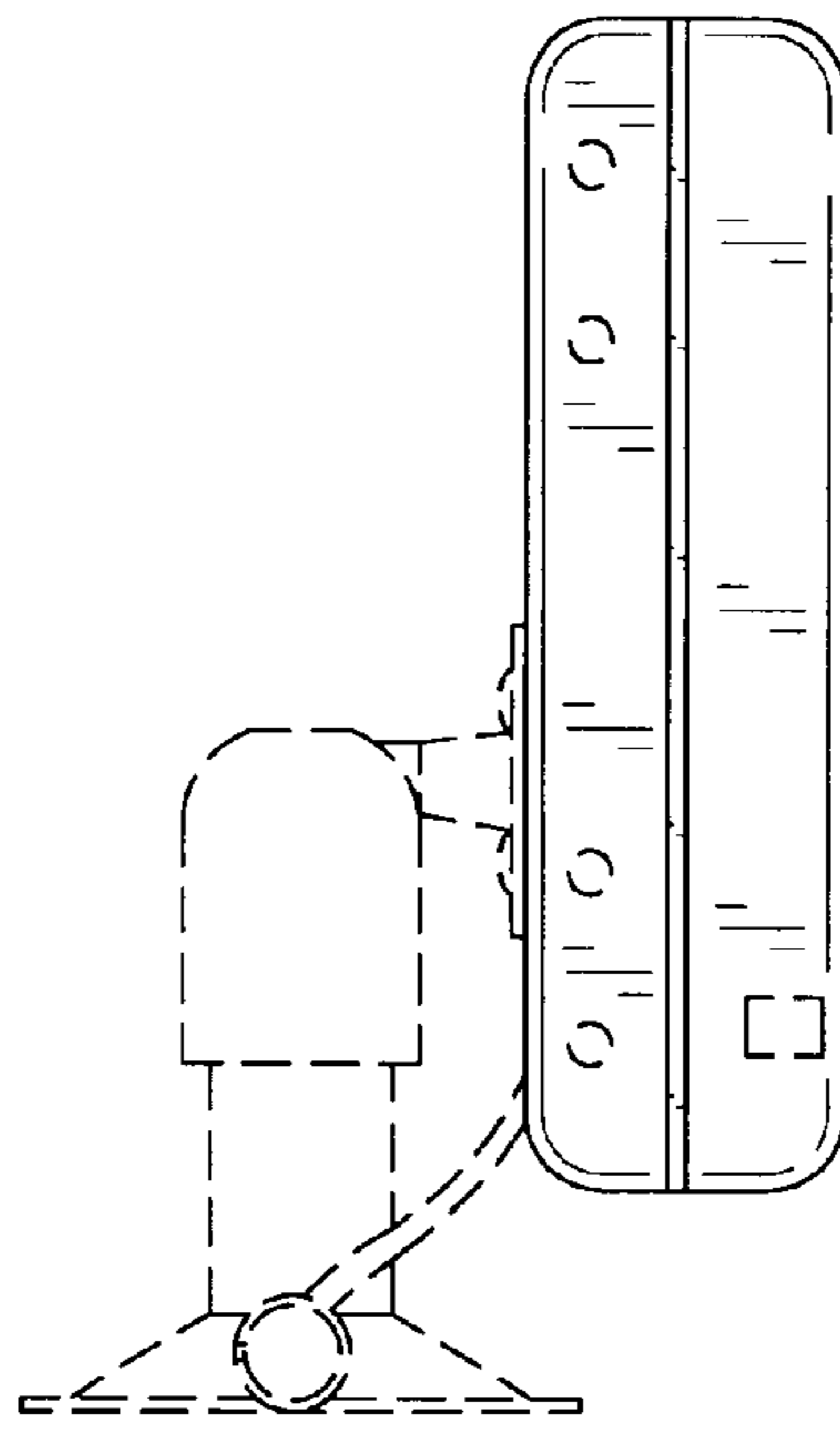


FIG. 3

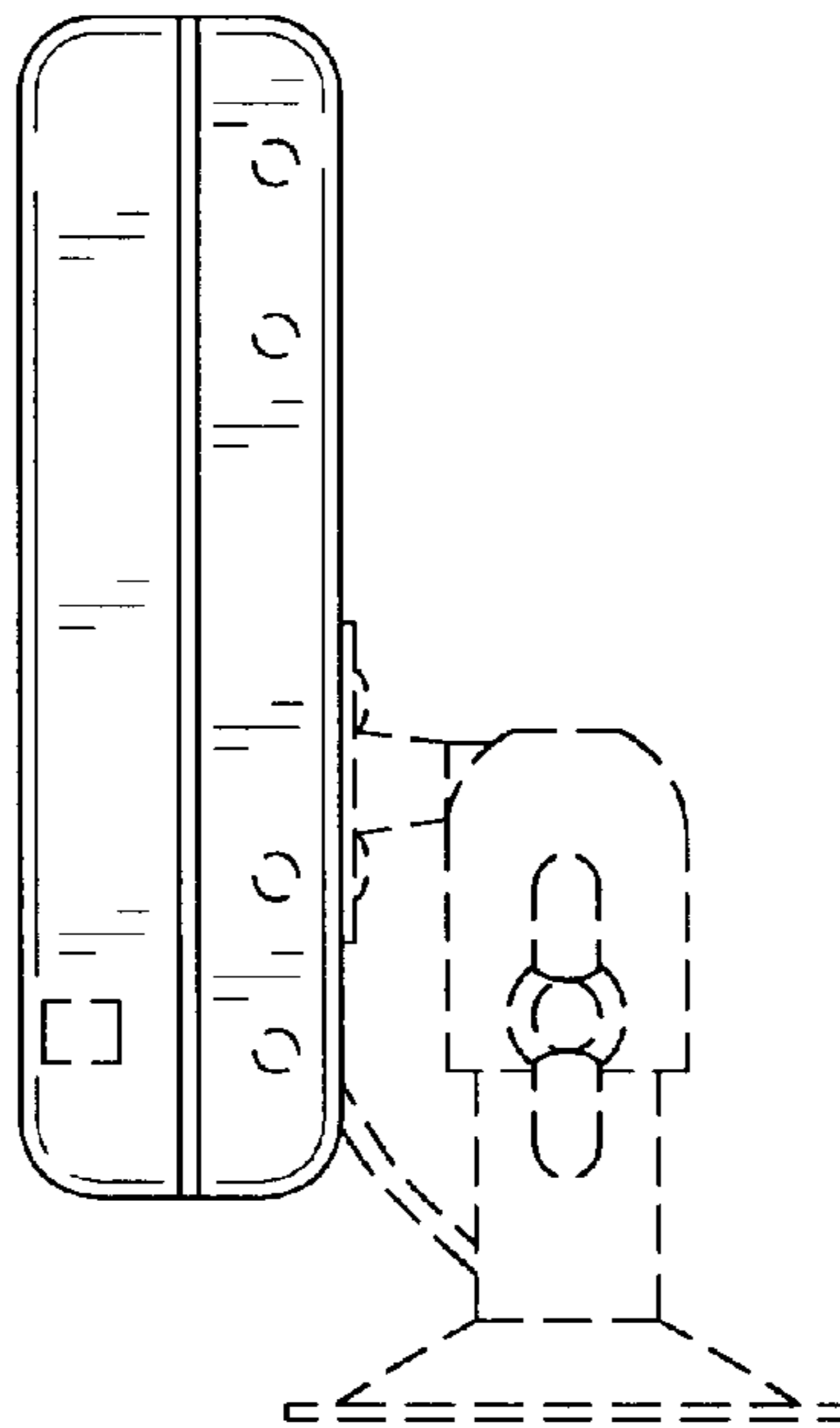


FIG. 4

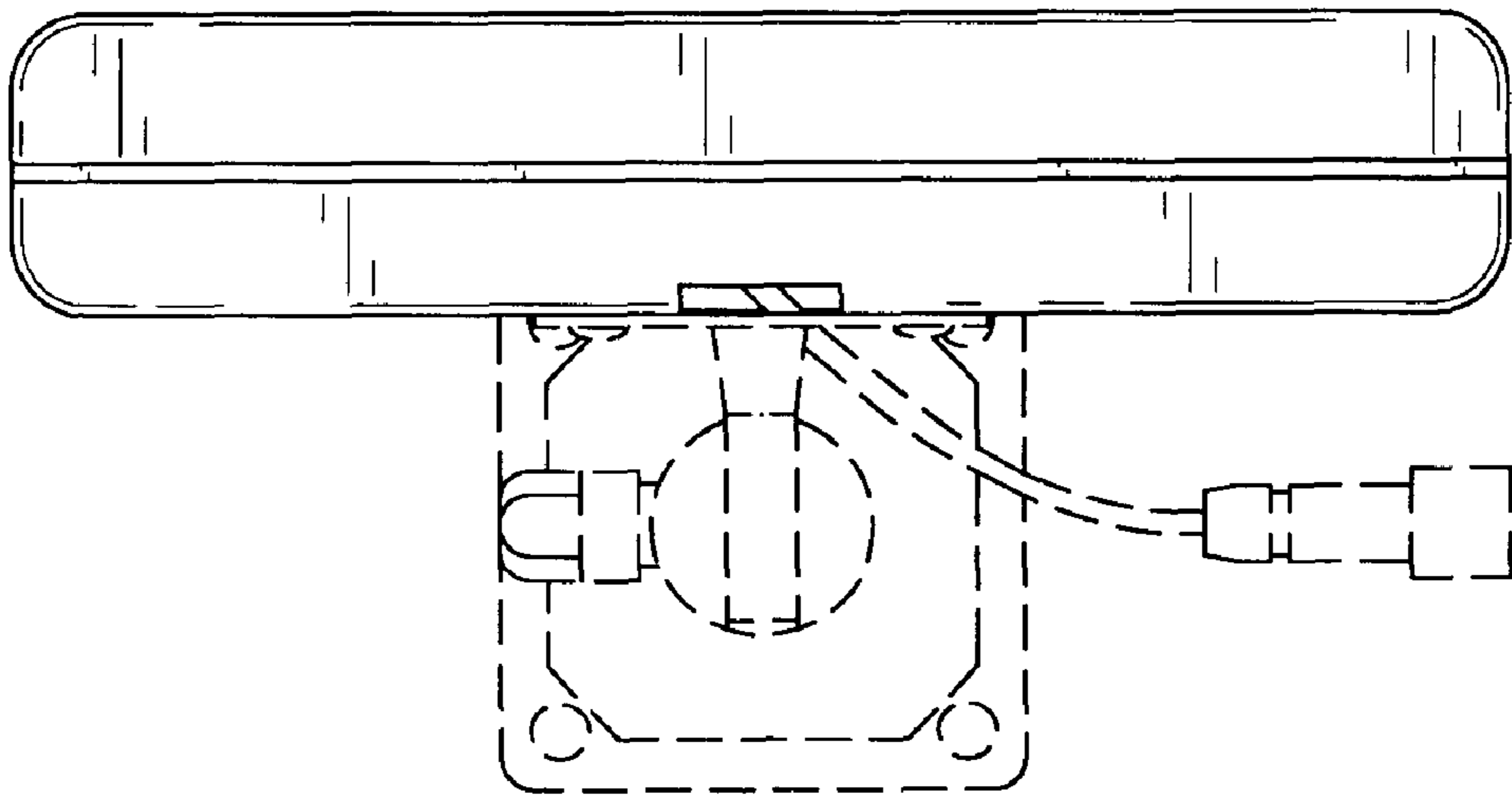


FIG. 5

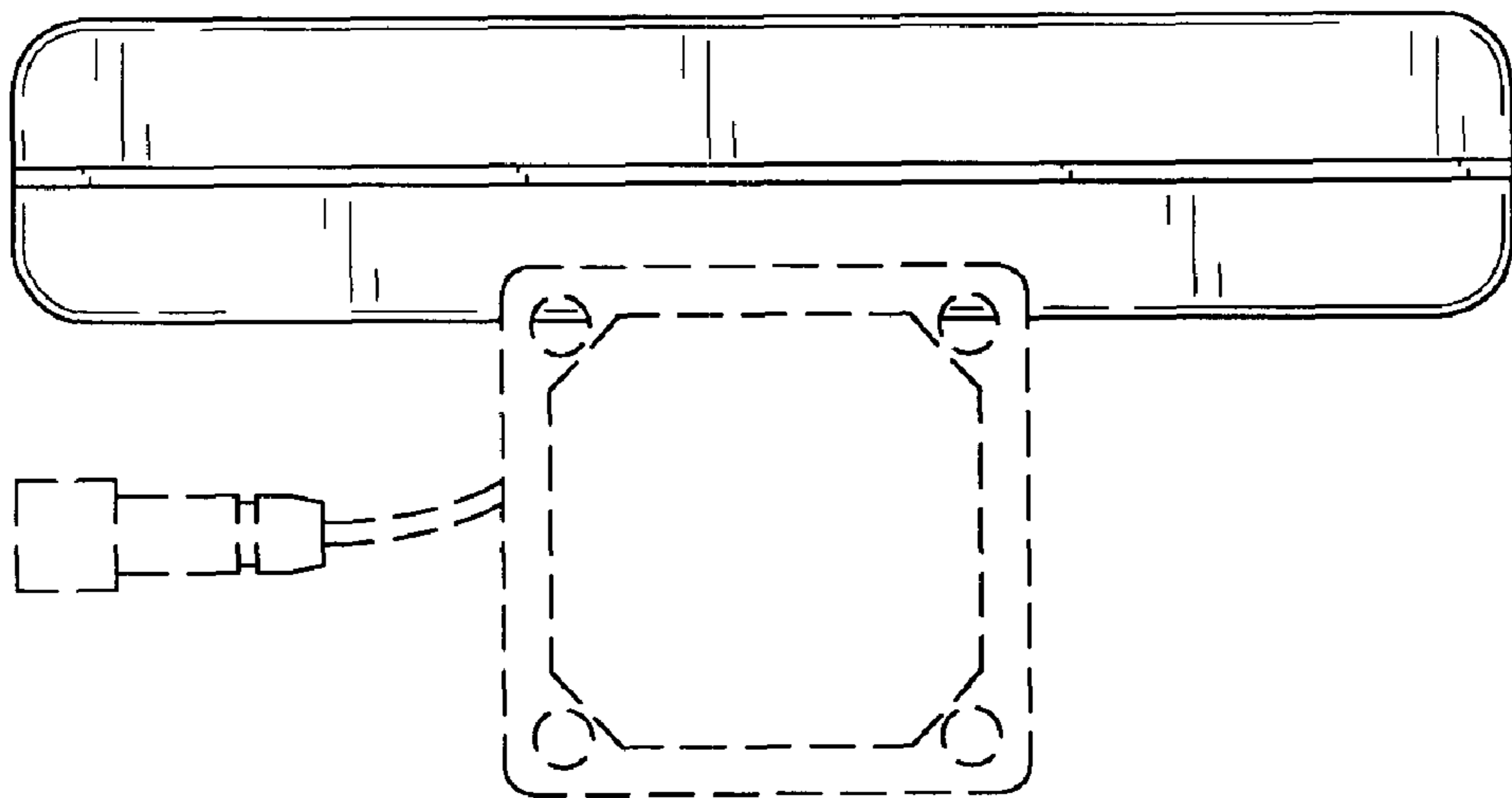


FIG. 6

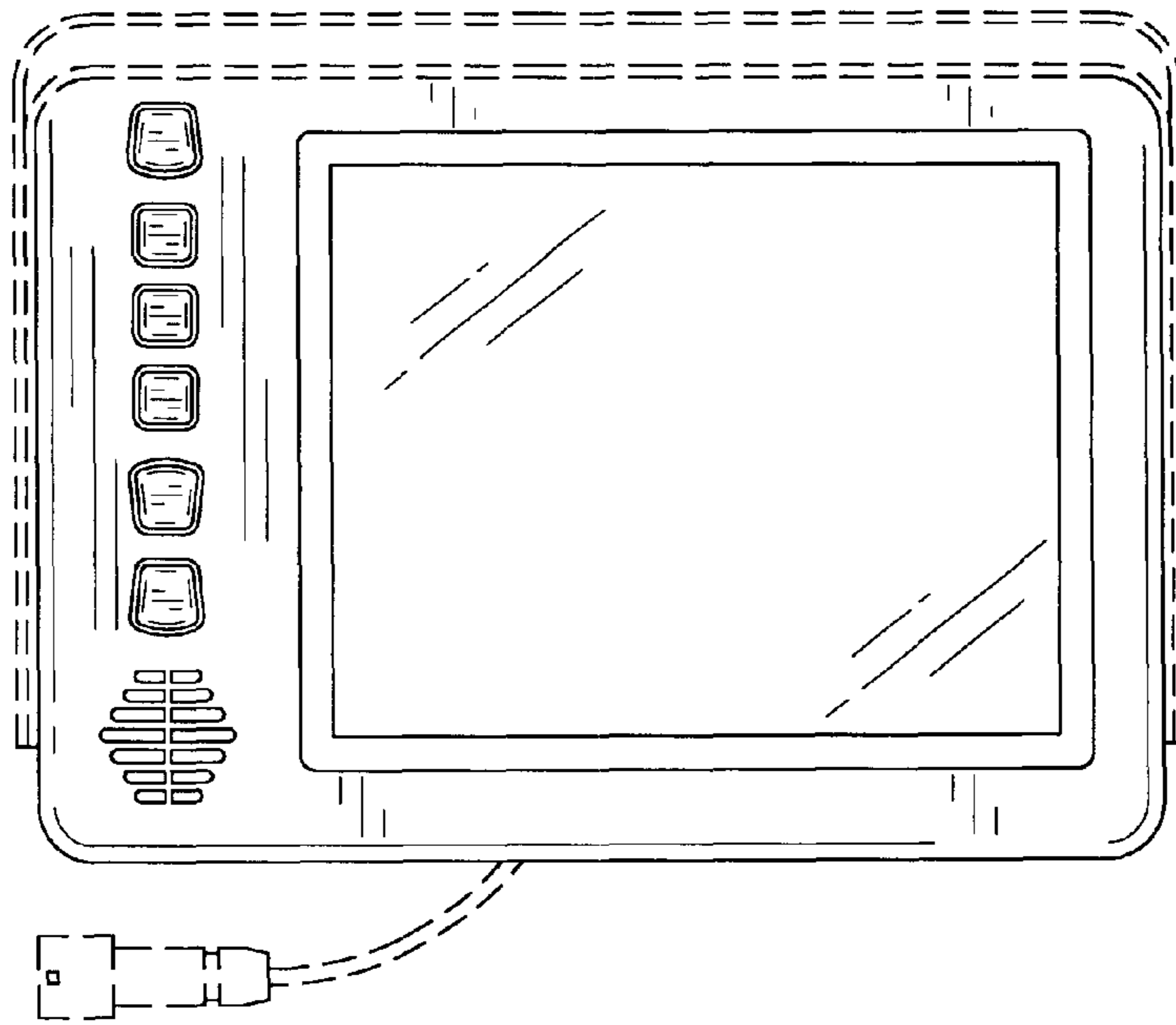


FIG. 7

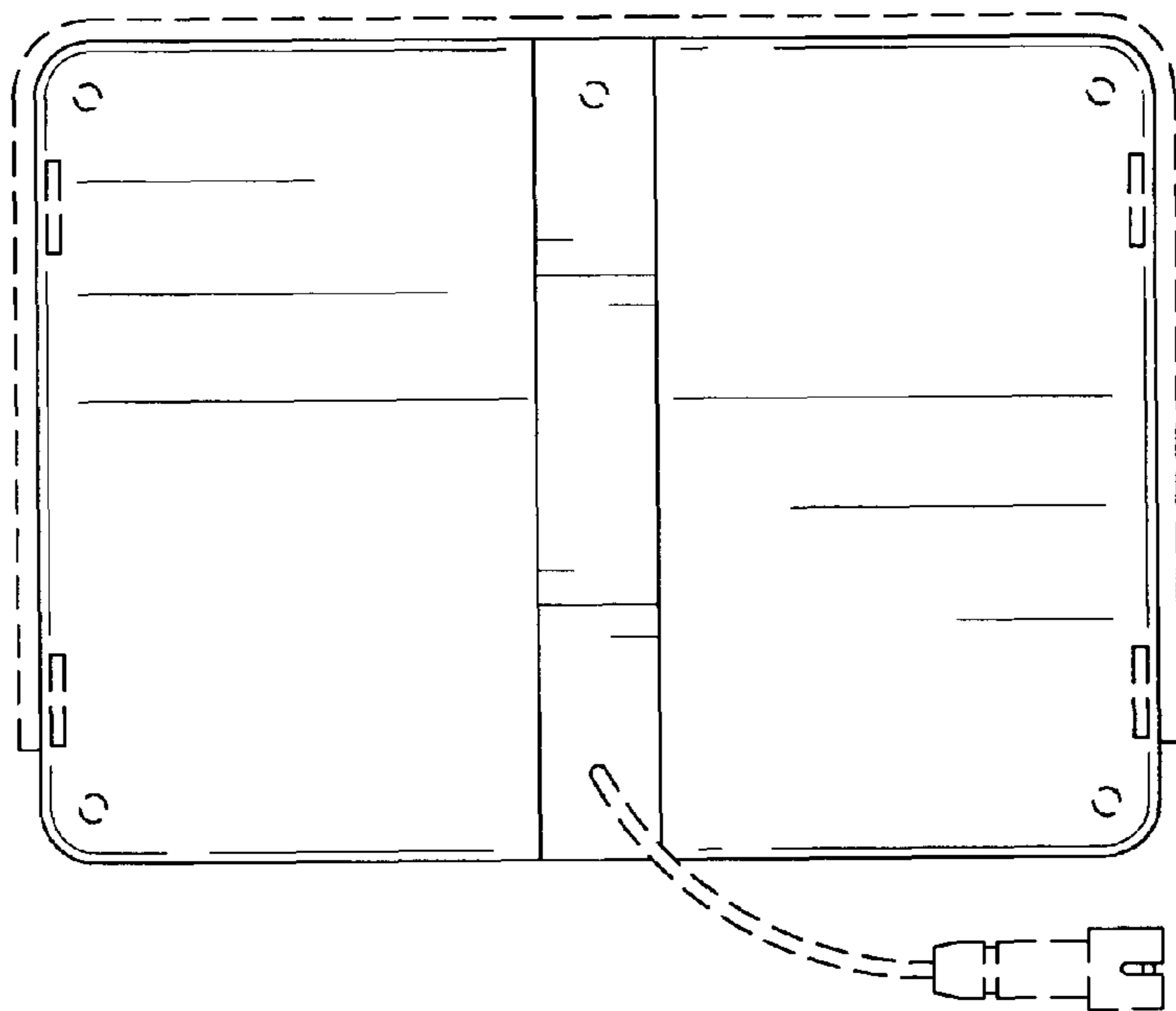


FIG. 8

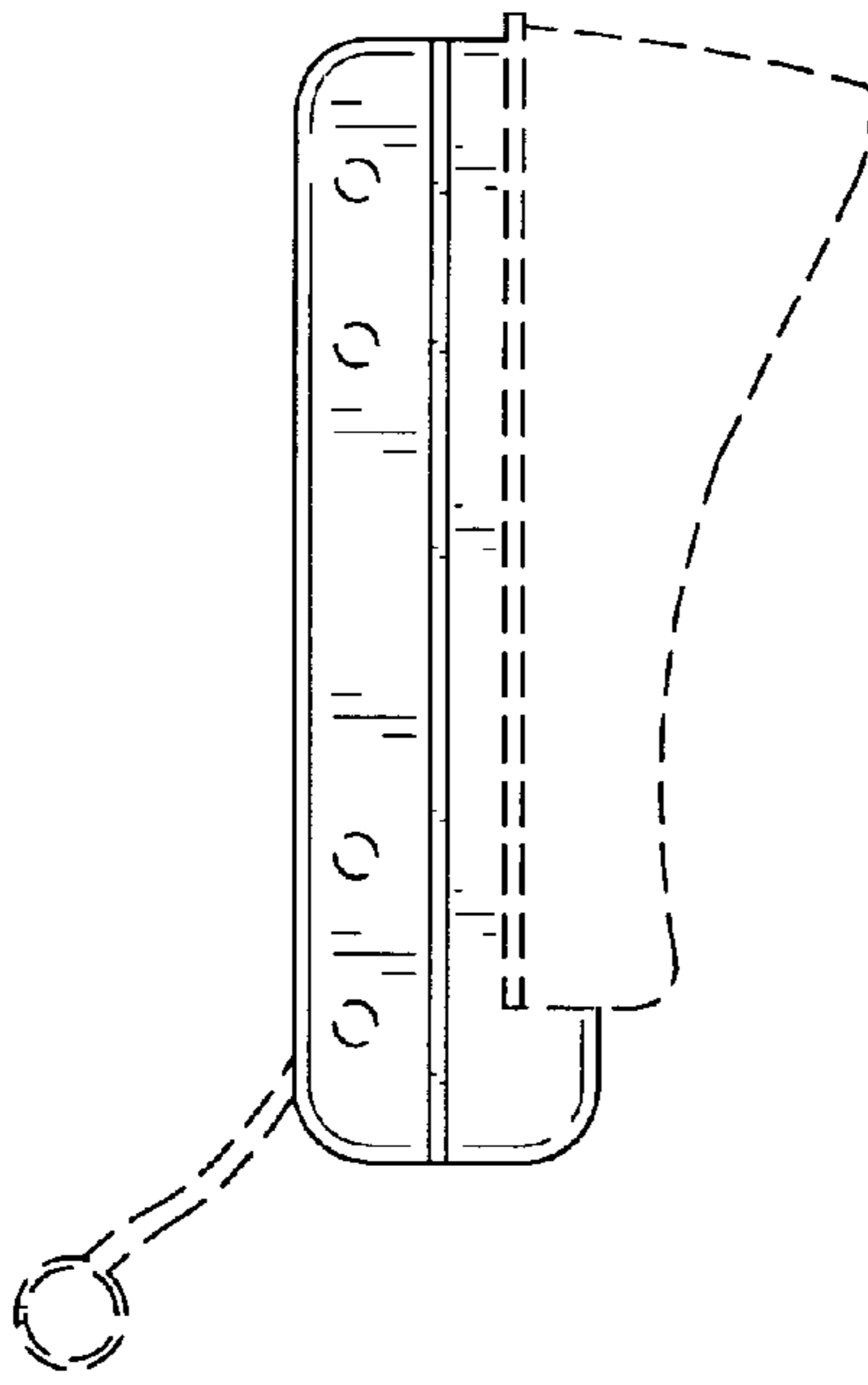


FIG. 9

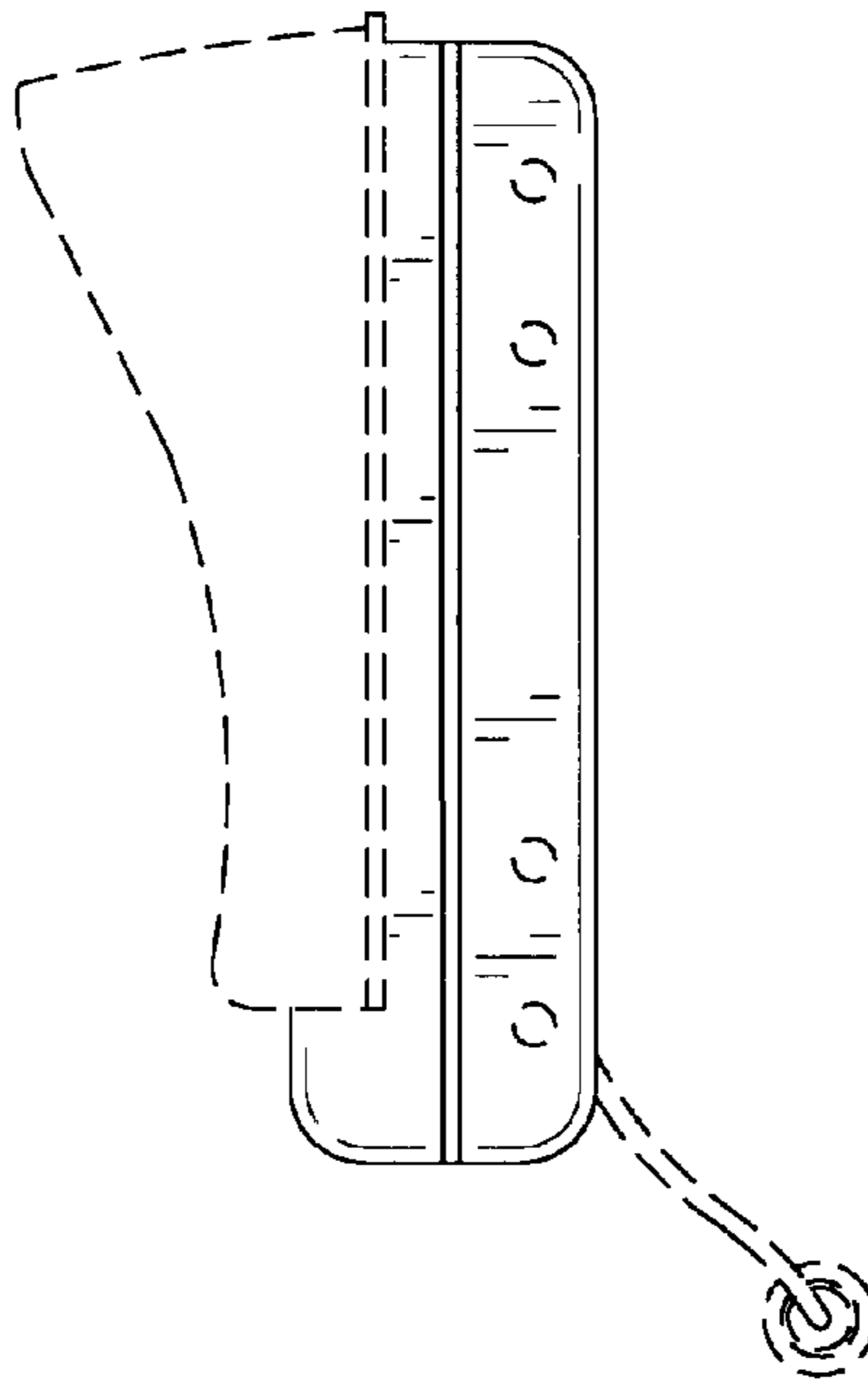


FIG. 10

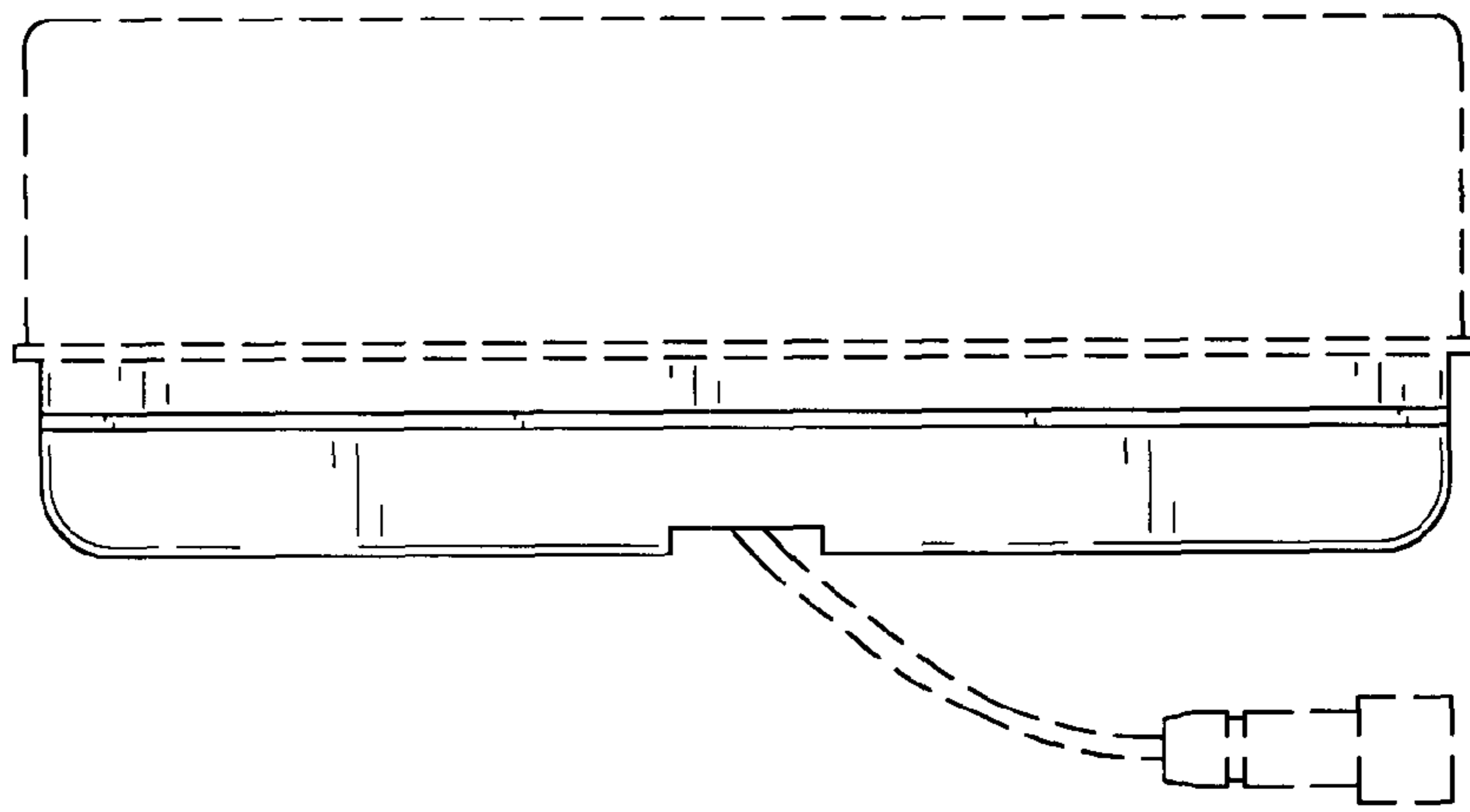


FIG. 11

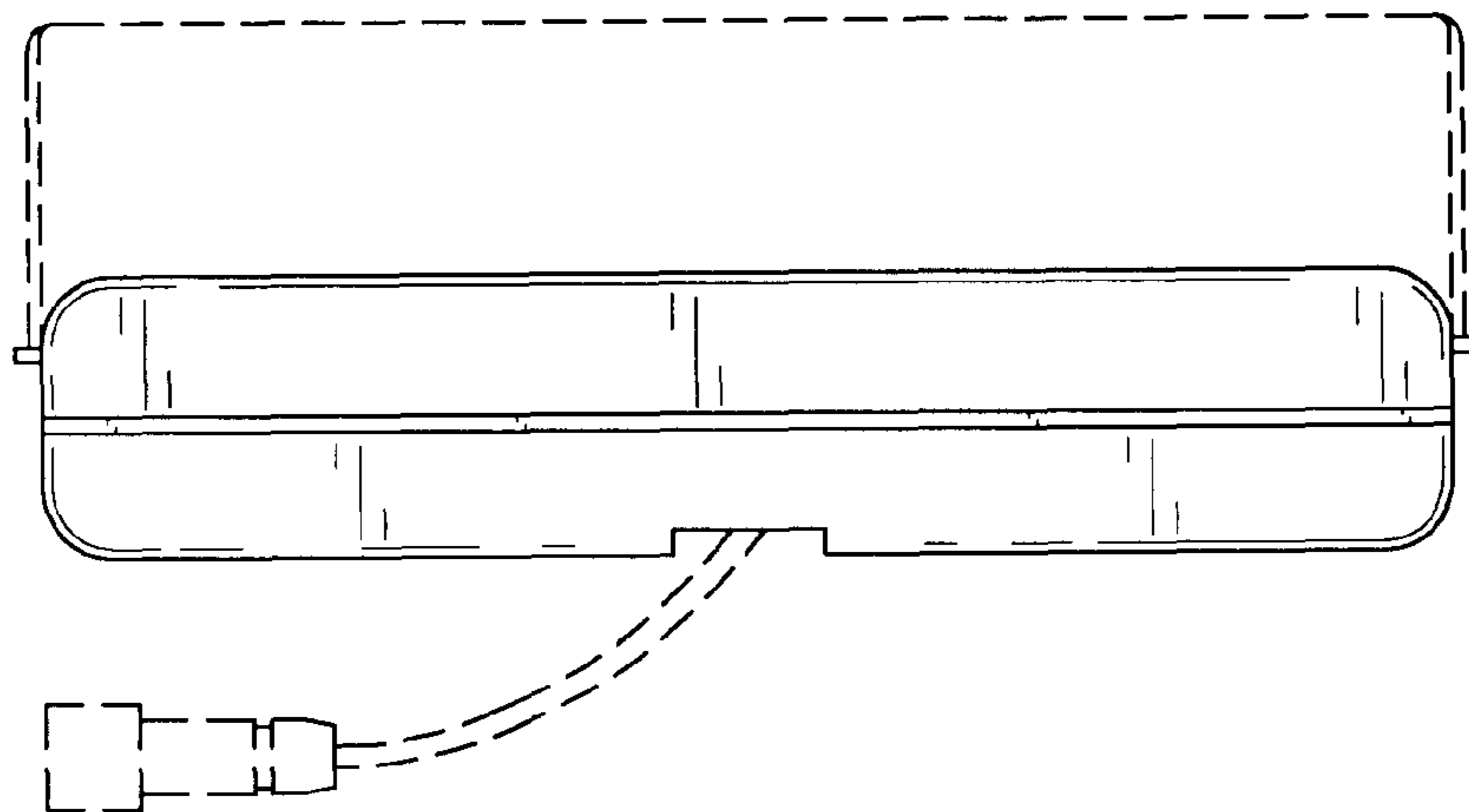


FIG. 12