



US00D465490S

(12) **United States Design Patent**
Wei

(10) **Patent No.:** **US D465,490 S**

(45) **Date of Patent:** **** Nov. 12, 2002**

(54) **LCD MONITOR**

D413,586 S * 9/1999 Kondo D14/375
D448,769 S * 10/2001 Jung D14/374

(75) Inventor: **Tzu-Hao Wei**, Fullerton, CA (US)

* cited by examiner

(73) Assignee: **Hon Hai Precision Ind. Co., Ltd.**,
Taipei Hsien (TW)

Primary Examiner—Freda Nunn
(74) *Attorney, Agent, or Firm*—Wei Te Chung

(**) Term: **14 Years**

(57) **CLAIM**

(21) Appl. No.: **29/149,596**

The ornamental design for an LCD monitor, as shown.

(22) Filed: **Oct. 11, 2001**

DESCRIPTION

(51) **LOC (7) Cl.** **14-02**

(52) **U.S. Cl.** **D14/374**

(58) **Field of Search** D14/371, 374,
D14/375, 378, 125-129; 341/12; 345/104,
156, 168, 173; 248/917-924; 348/180,
184, 325, 739; 349/1, 2, 11, 62

FIG. 1 is a perspective view of an LCD monitor of my new design;

FIG. 2 is a front elevational view thereof;

FIG. 3 is a rear elevational view thereof;

FIG. 4 is a left side elevational view thereof;

FIG. 5 is a right side elevational view thereof;

FIG. 6 is a top plan view thereof; and,

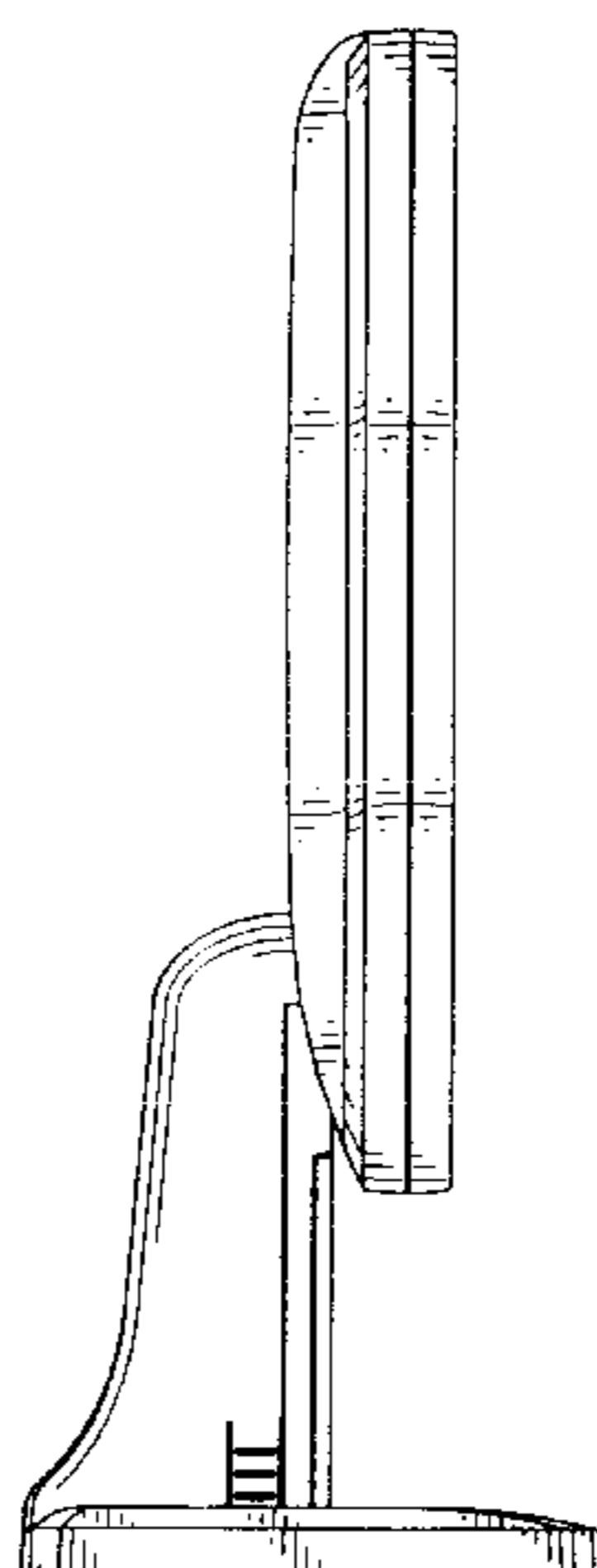
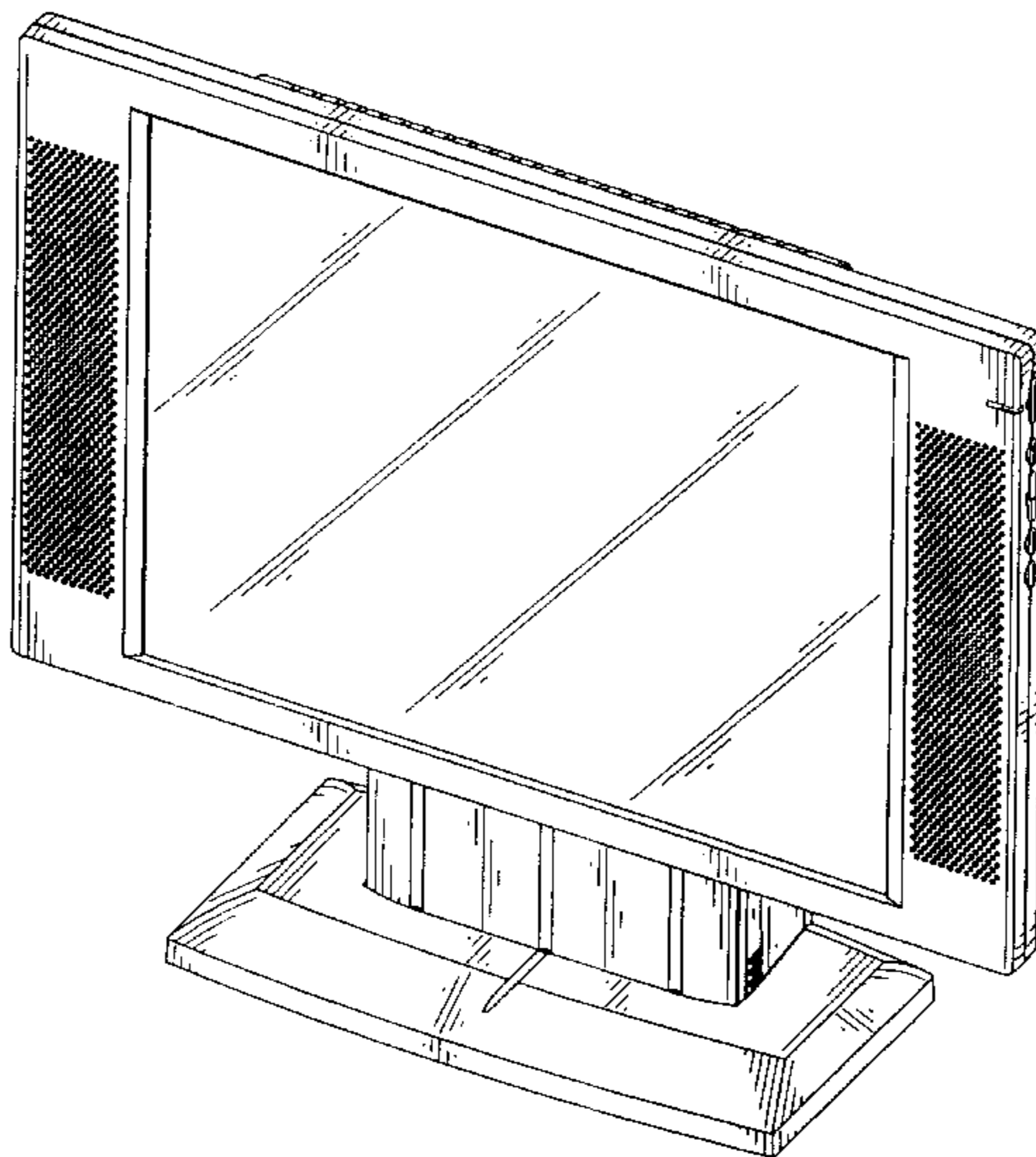
FIG. 7 is a bottom plan view thereof.

(56) **References Cited**

U.S. PATENT DOCUMENTS

D392,628 S * 3/1998 Hayashi D14/374

1 Claim, 5 Drawing Sheets



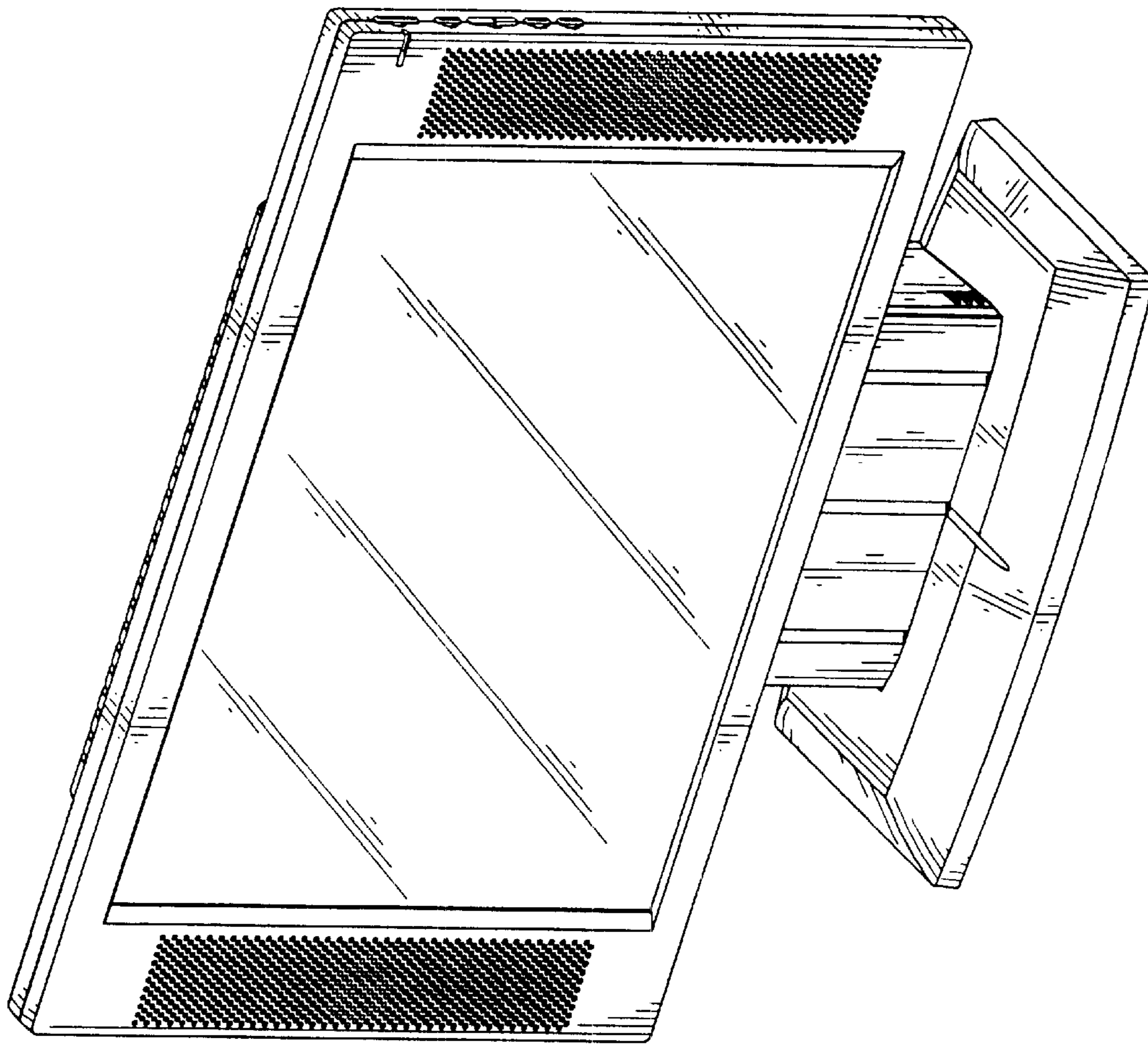


FIG. 1

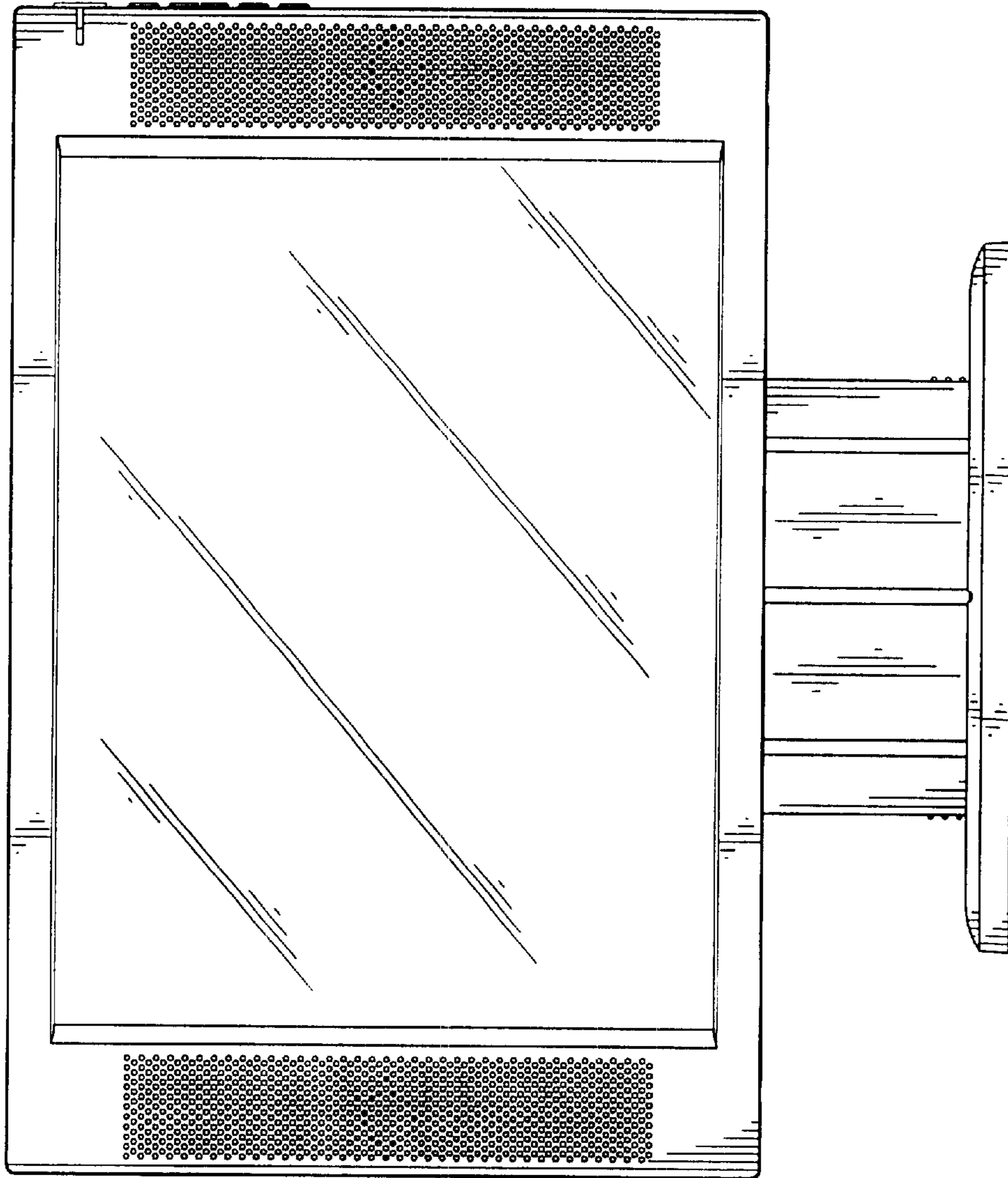


FIG. 2

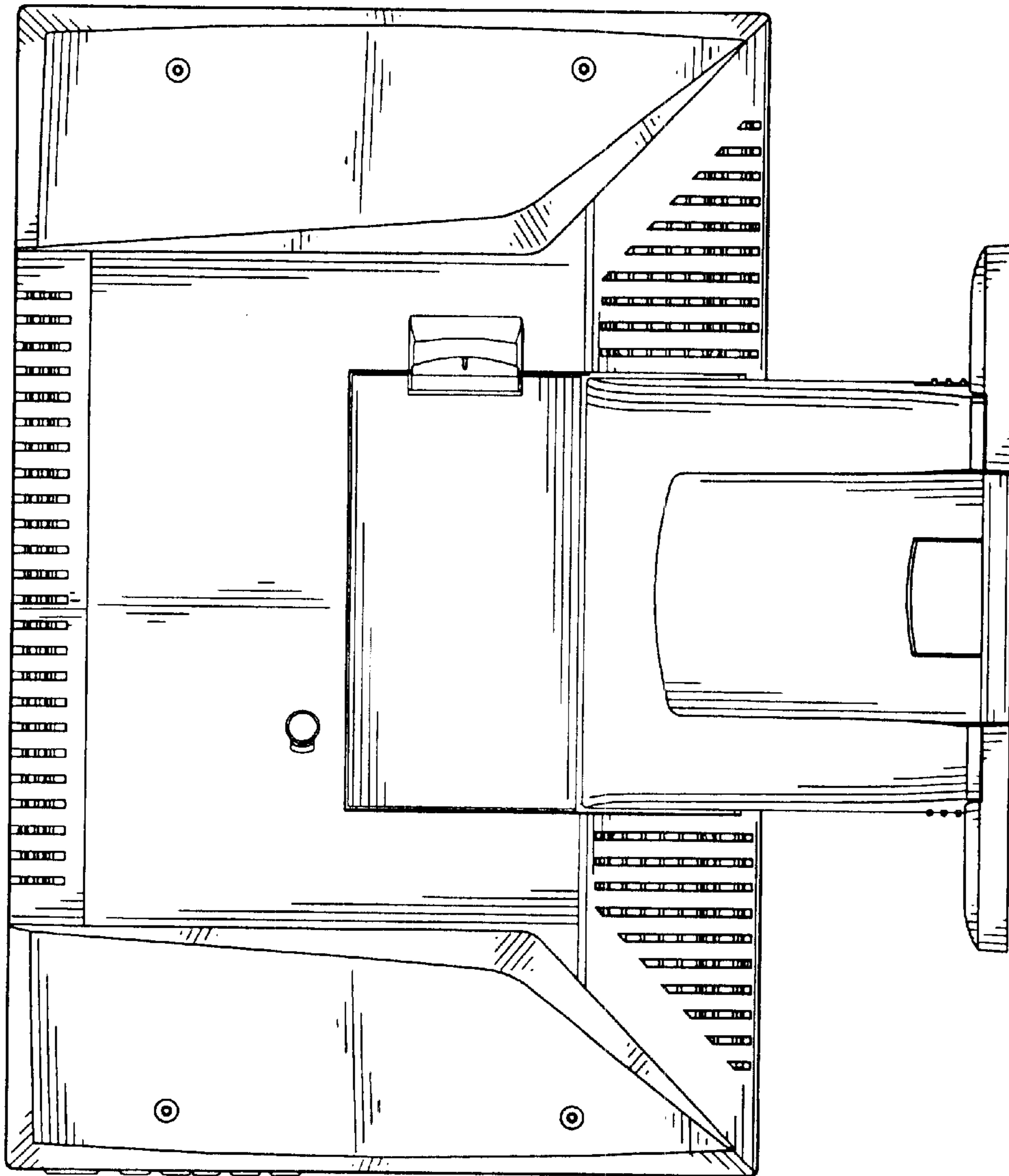


FIG. 3

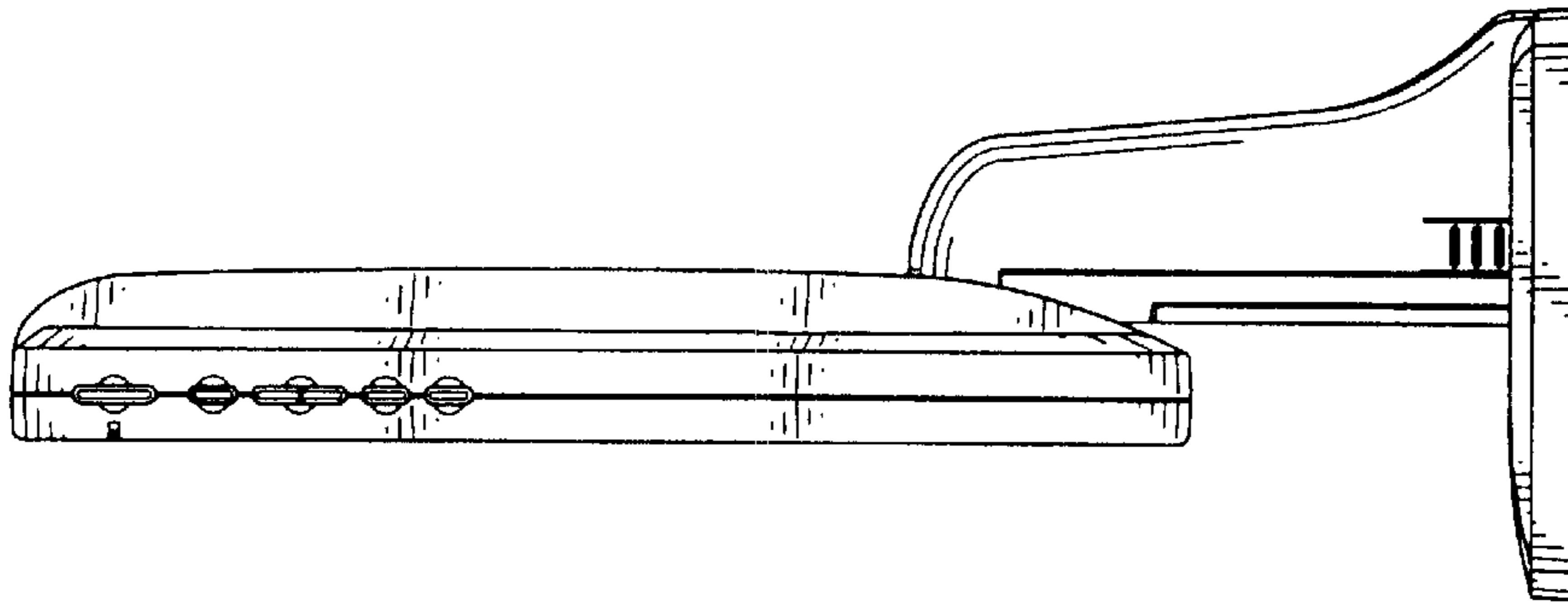


FIG. 5

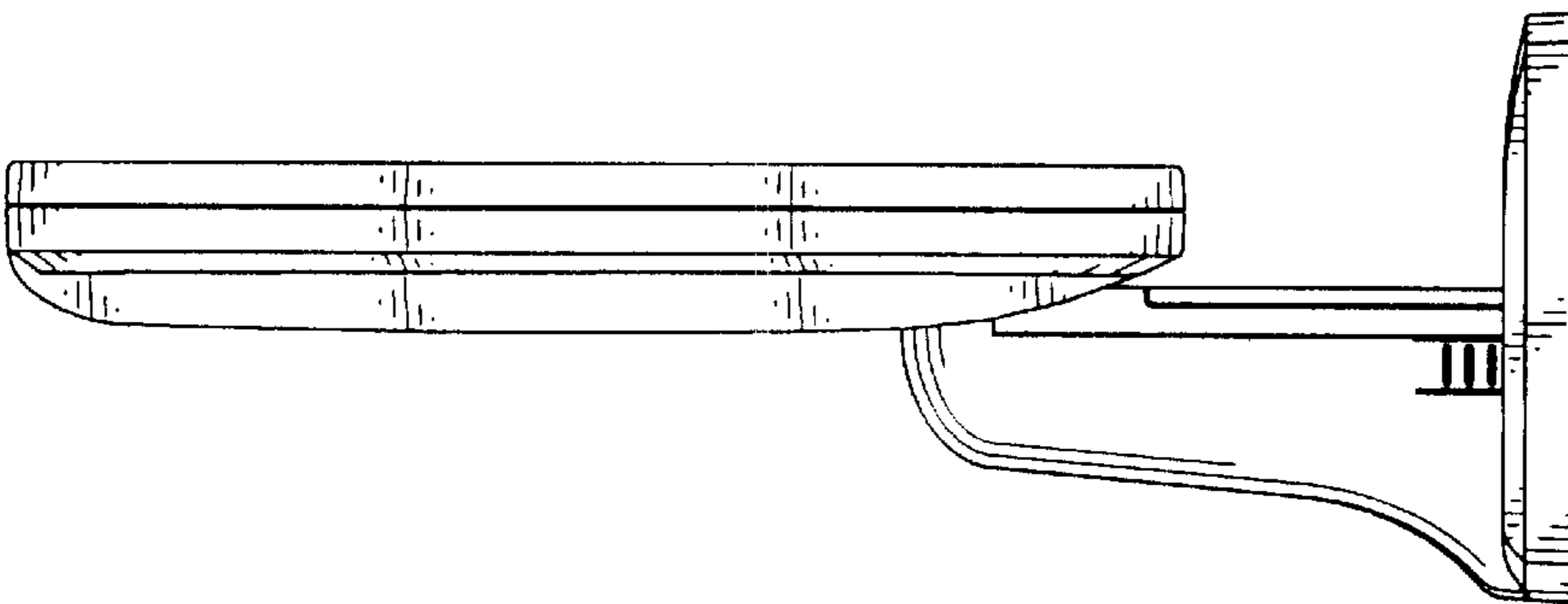


FIG. 4

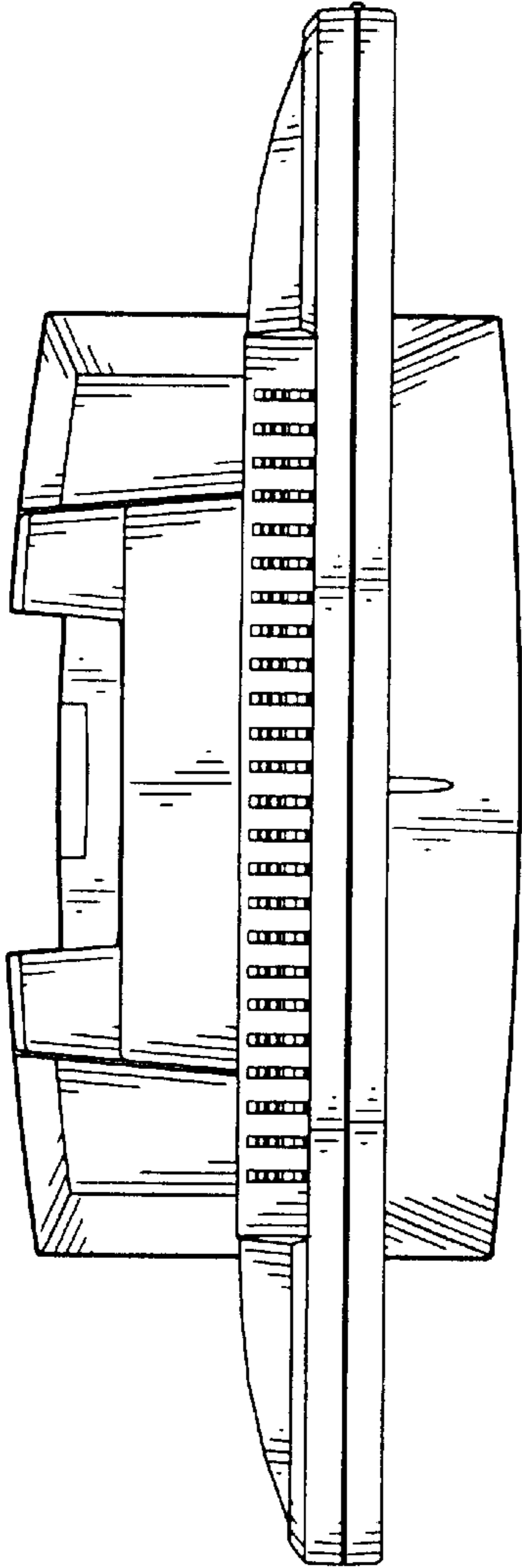


FIG. 6

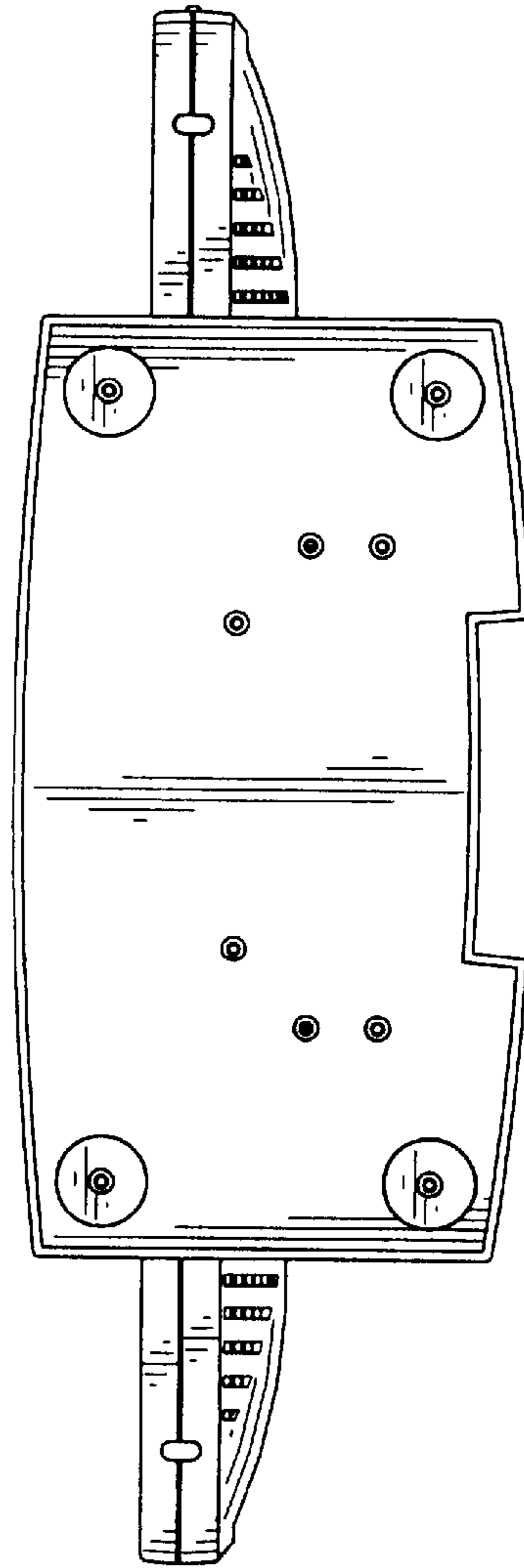


FIG. 7