



US00D465486S

(12) **United States Design Patent**
Lee

(10) **Patent No.:** **US D465,486 S**

(45) **Date of Patent:** **** Nov. 12, 2002**

(54) **PROTECTIVE COVER FOR PALM
COMPUTER**

D434,034 S * 11/2000 Burke et al. D14/341
D445,106 S * 7/2001 Mosgrove et al. D14/341

(75) Inventor: **Man-Tat Lee**, Kowloon (CN)

* cited by examiner

(73) Assignee: **Storm Electronics Company Limited**,
Kowloon (CN)

Primary Examiner—Freda Nunn

(74) *Attorney, Agent, or Firm*—Alix, Yale & Ristas, LLP

(**) Term: **14 Years**

(57) **CLAIM**

(21) Appl. No.: **29/148,892**

The ornamental design for a protective cover for palm
computer, as shown and described.

(22) Filed: **Sep. 27, 2001**

(30) **Foreign Application Priority Data**

DESCRIPTION

Apr. 26, 2001 (HK) 0110618

(51) **LOC (7) Cl.** **14-02**

(52) **U.S. Cl.** **D14/341; D14/346; D14/432**

(58) **Field of Search** D14/341-346;
D18/1, 2, 7; 235/145 A, 145 R; 341/22,
23; 345/156, 168, 169, 172, 173, 87; 349/12;
361/680-686

FIG. 1 is a front perspective view of a protective cover for
palm computer showing my new design;

FIG. 2 is a front elevational view thereof;

FIG. 3 is a left side elevational view thereof;

FIG. 4 is a top plan view thereof;

FIG. 5 is a rear elevational view thereof;

FIG. 6 is a right side elevational view thereof; and,

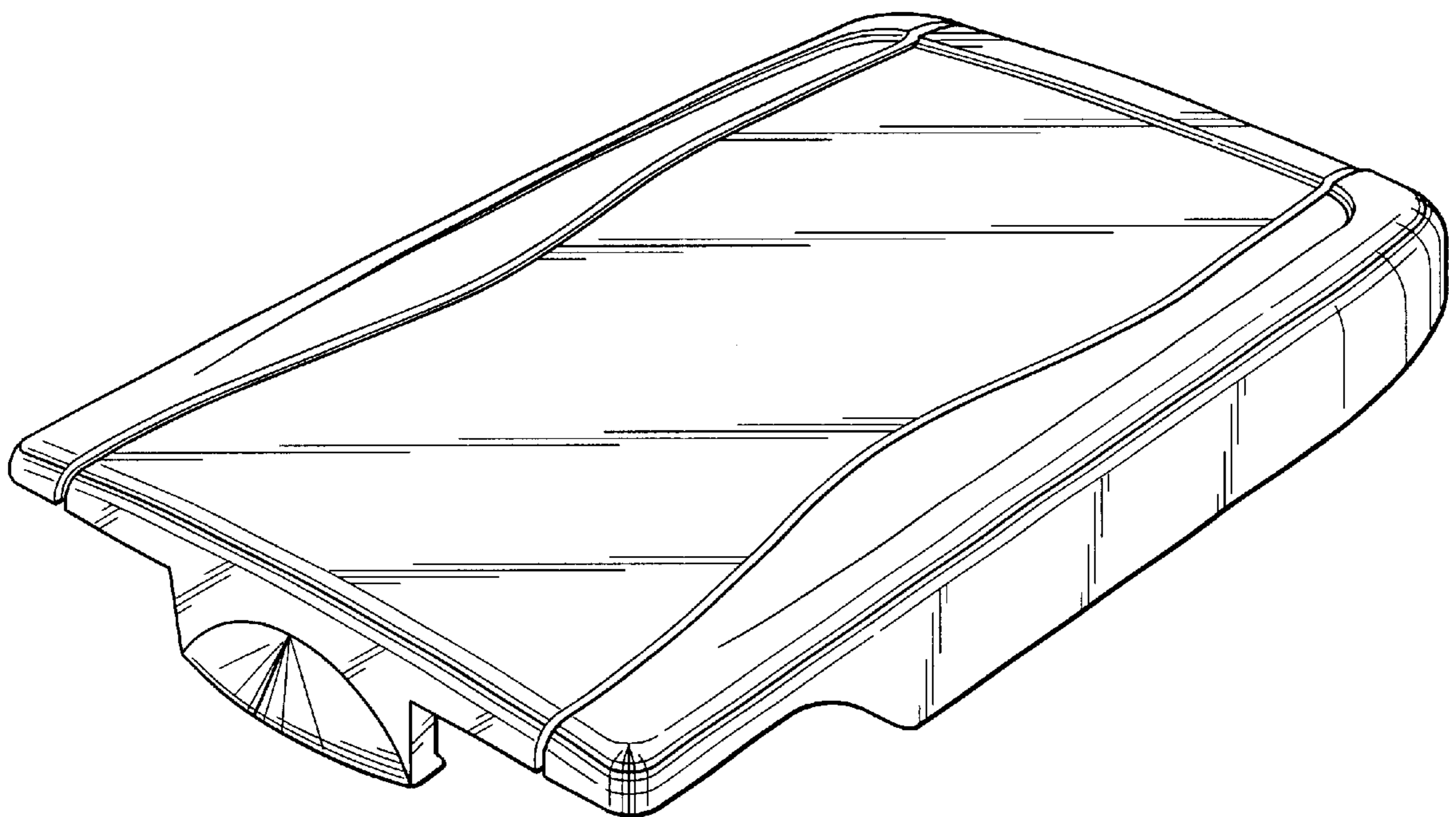
FIG. 7 is a bottom plan view thereof.

(56) **References Cited**

U.S. PATENT DOCUMENTS

D397,679 S * 9/1998 Hawkins et al. D14/342

1 Claim, 3 Drawing Sheets



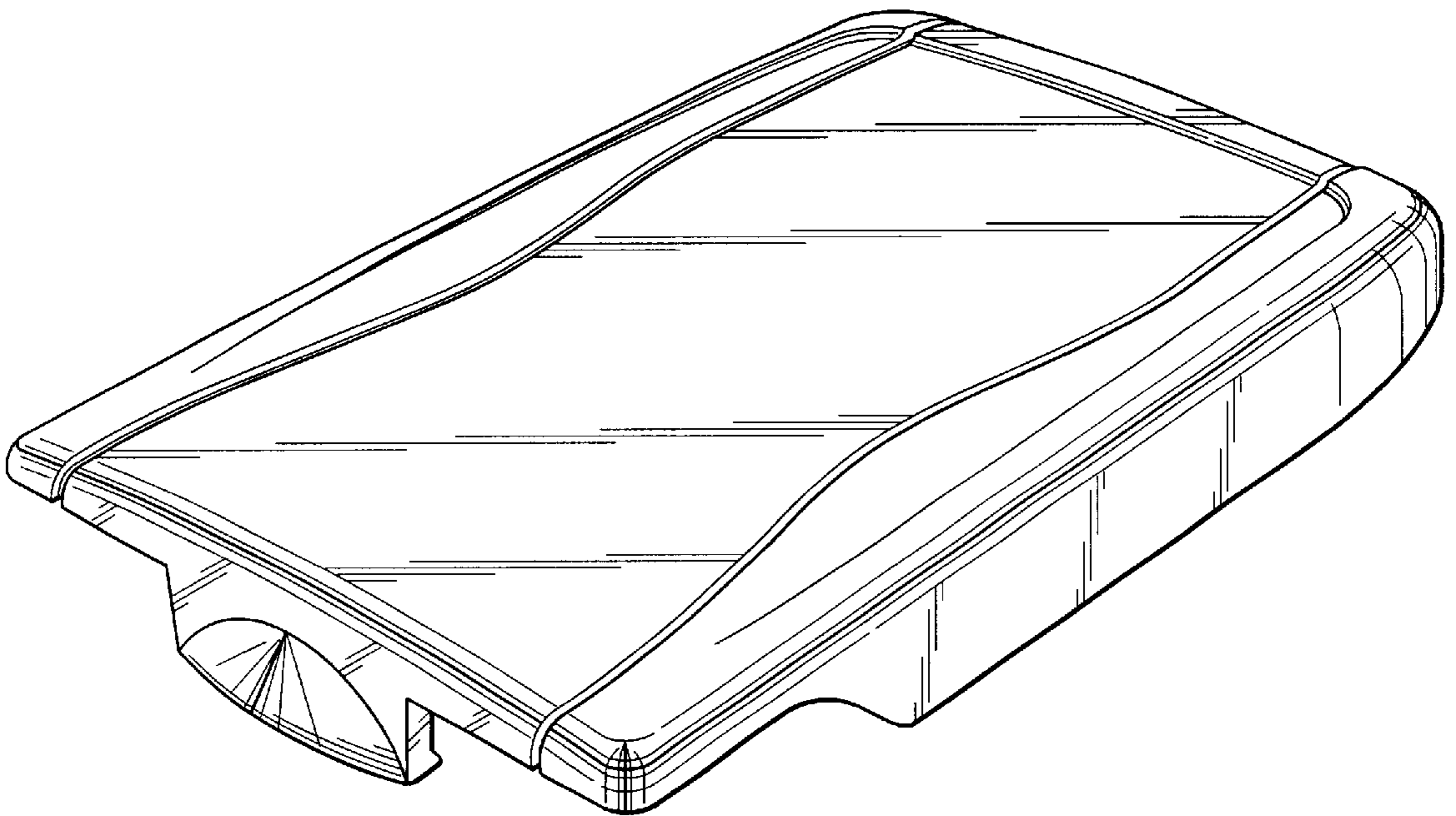


FIG. 1

FIG. 4

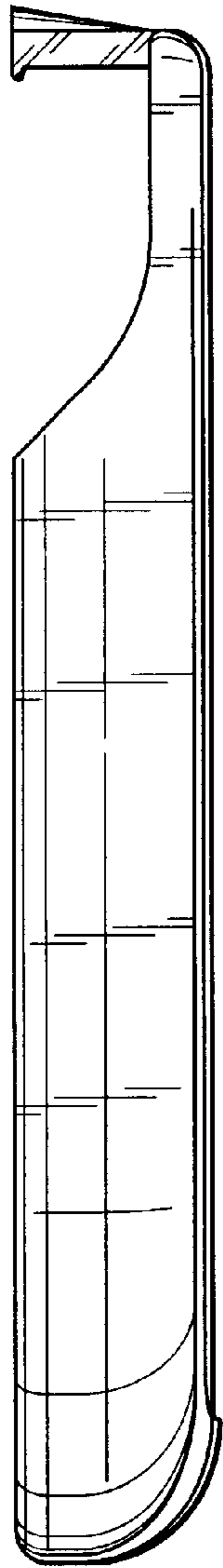
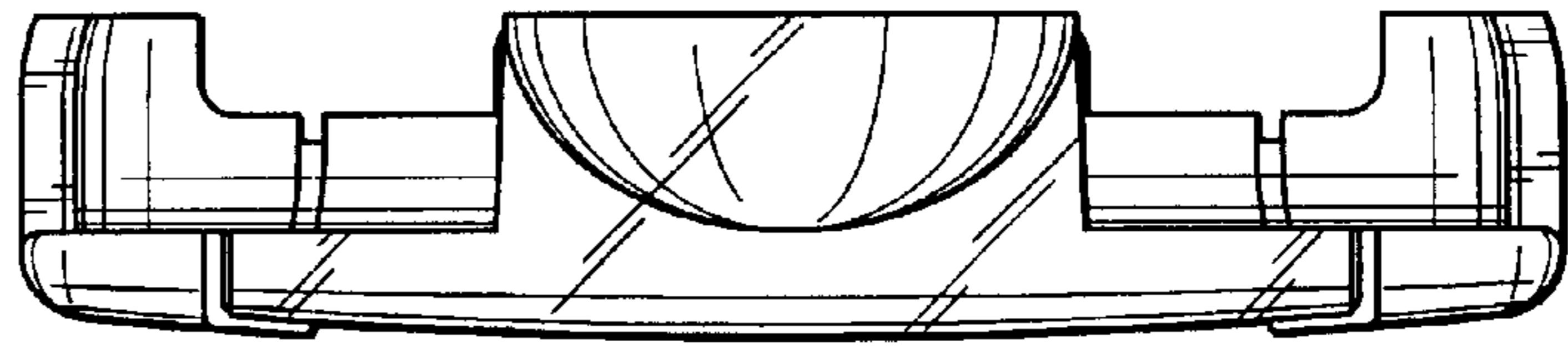


FIG. 3

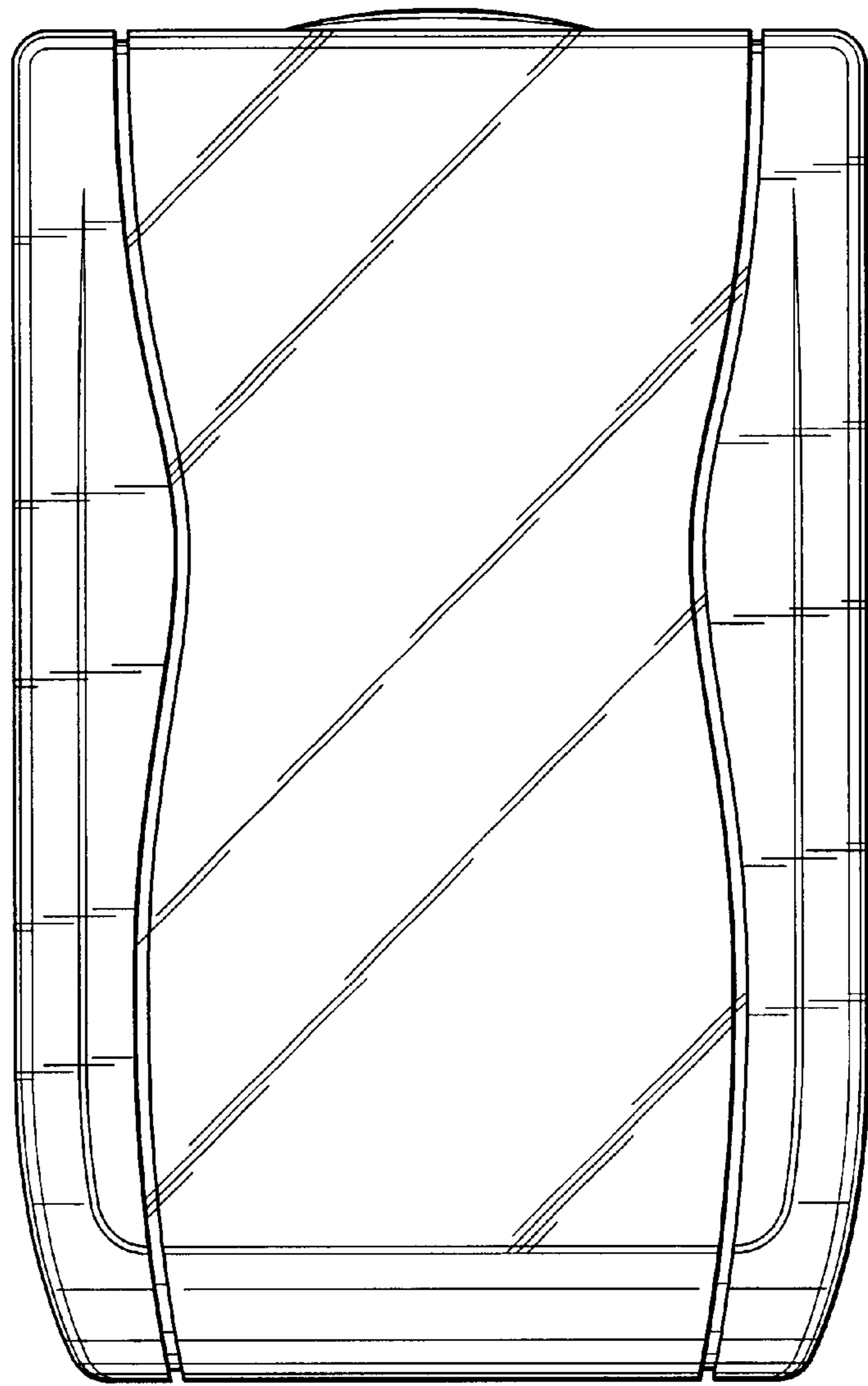


FIG. 2

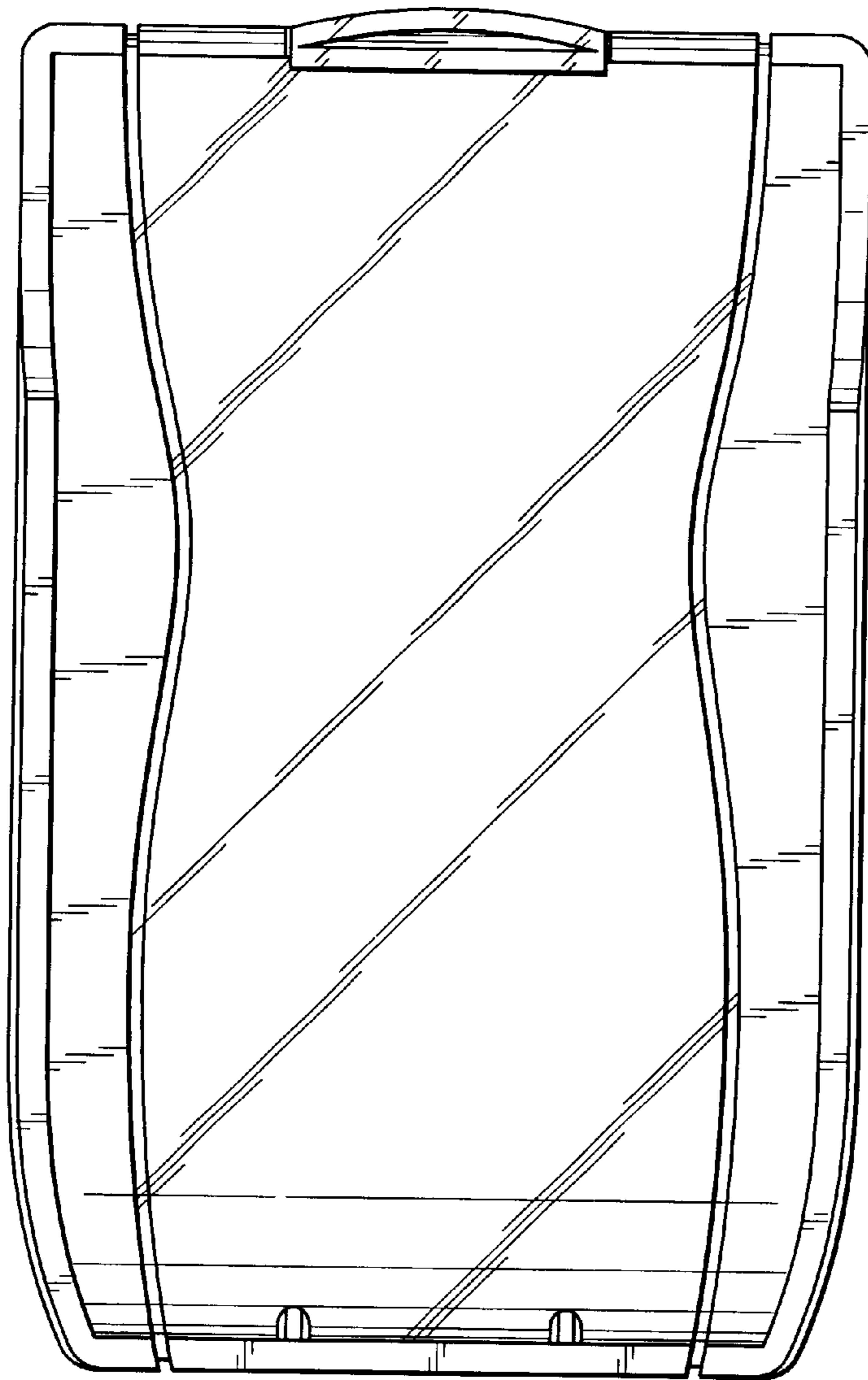


FIG. 5

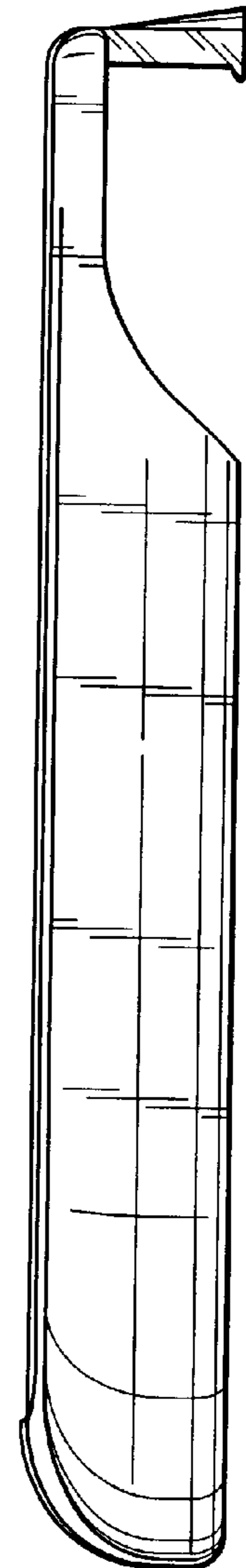


FIG. 6

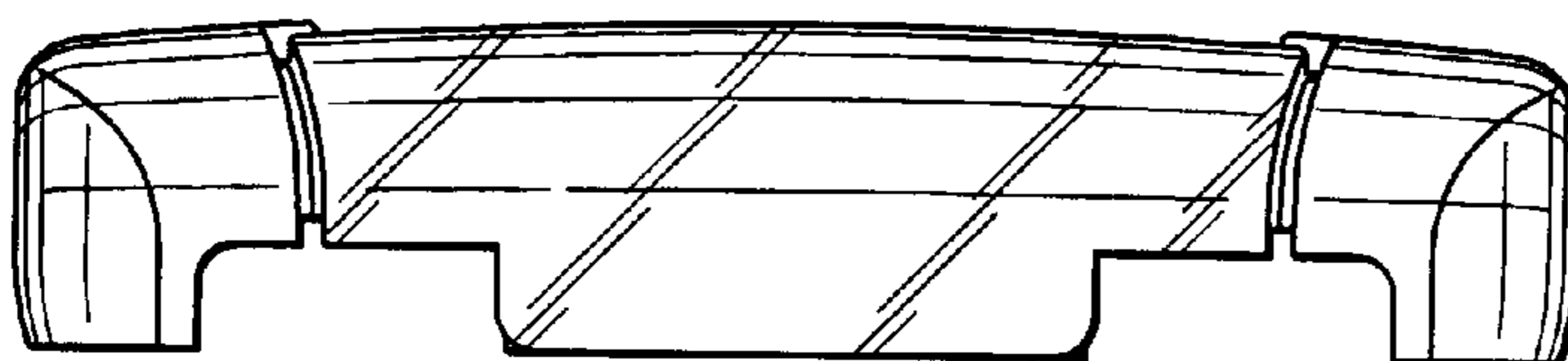


FIG. 7