



US00D465481S

(12) **United States Design Patent**
Haaparanta

(10) **Patent No.:** **US D465,481 S**

(45) **Date of Patent:** **** Nov. 12, 2002**

(54) **MODEM**

(75) **Inventor:** **Sanna Haaparanta, Järvenpää (FI)**

(73) **Assignee:** **VDSL Systems Oy, Espoo (FI)**

(**) **Term:** **14 Years**

(21) **Appl. No.:** **29/149,920**

(22) **Filed:** **Oct. 23, 2001**

(30) **Foreign Application Priority Data**

Sep. 14, 2001 (FI) M20010616

(51) **LOC (7) Cl.** **14-03**

(52) **U.S. Cl.** **D14/242**

(58) **Field of Search** D14/137, 240,
D14/138, 242, 308, 356, 357, 358, 311,
313, 441, 144, 348-355, 370, 341-347,
125, 432, 433, 155, 299, 257, 439, 140,
188, 230, 241, 243, 245; 379/433.01-433.13,
419, 434, 428.01-428.04, 420.01-420.04,
440, 441, 442; 455/550-575, 90; D13/184,
123, 152, 147, 110

(56) **References Cited**

U.S. PATENT DOCUMENTS

D311,728 S	*	10/1990	Yoshitake	D14/351
D339,115 S	*	9/1993	Eilertsen	D14/242
D342,488 S	*	12/1993	Kuzumoto et al.	D14/352
D363,465 S	*	10/1995	Daniels et al.	D14/352
D366,455 S	*	1/1996	Cheng	D13/147
D375,485 S	*	11/1996	Gray	D14/351
D384,649 S	*	10/1997	Heberling et al.	D14/352
D384,943 S	*	10/1997	Brezovar	D14/349

D406,849 S	*	3/1999	Tanaka	D14/242
D416,239 S	*	11/1999	Nagase	D14/311
D417,864 S	*	12/1999	Holtzman et al.	D14/351
6,026,258 A	*	2/2000	Fresk et al.	399/87
D431,557 S	*	10/2000	Lutz, Jr. et al.	D14/242
D432,125 S	*	10/2000	Masuda et al.	D14/349
D437,289 S	*	2/2001	Chase et al.	D13/123
D437,860 S	*	2/2001	Suzuki et al.	D14/496
6,233,142 B1	*	5/2001	Kerrigan et al.	361/685
6,259,598 B1	*	7/2001	Beaman et al.	361/683
D447,479 S	*	9/2001	Tierney	D14/351
D454,557 S	*	3/2002	Do et al.	D14/242

* cited by examiner

Primary Examiner—Jeffrey Asch

(74) *Attorney, Agent, or Firm*—Arent Fox Kintner Plotkin & Kahn, PLLC

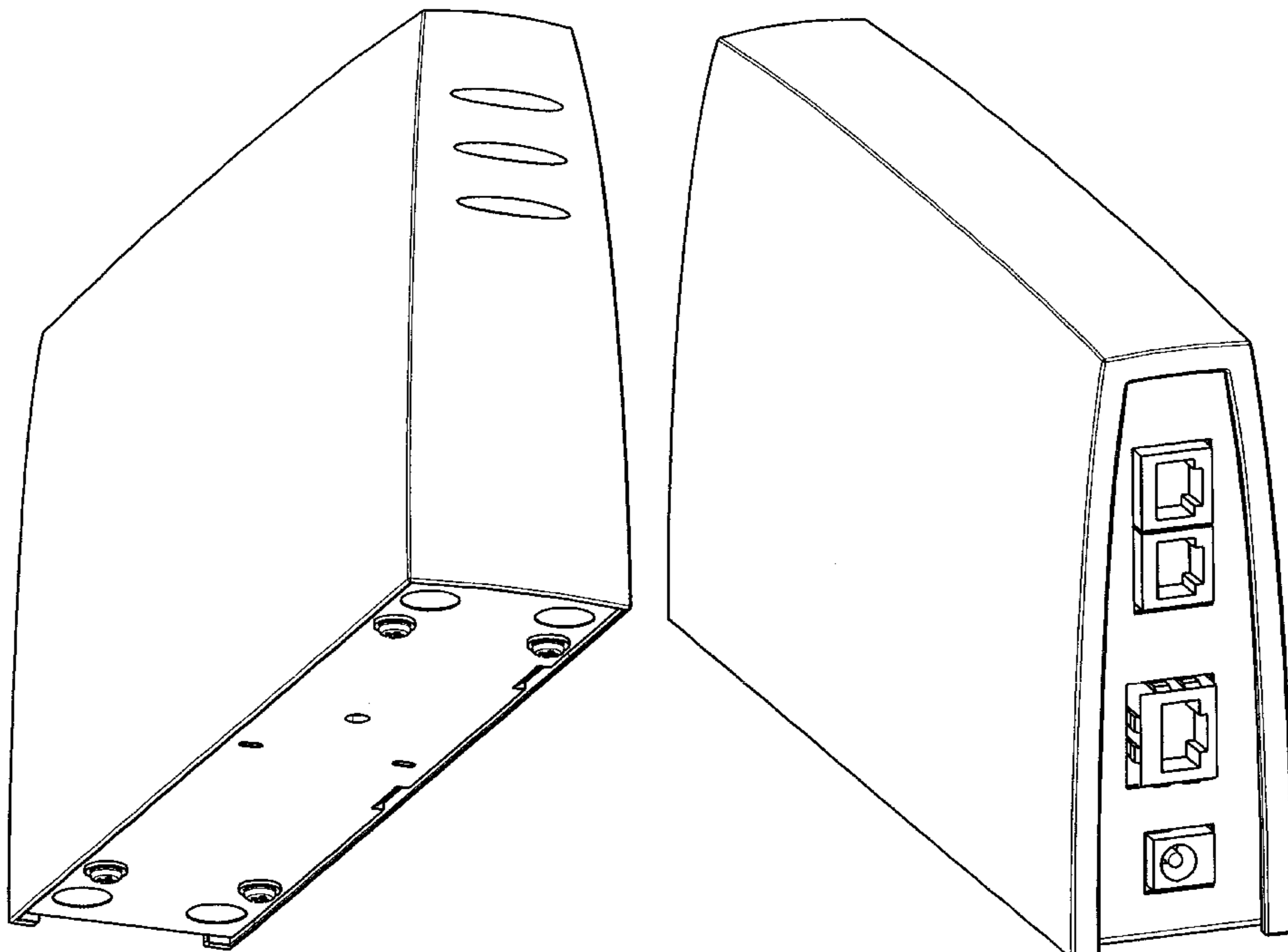
(57) **CLAIM**

The ornamental design for a modem, as shown and described.

DESCRIPTION

FIG. 1 is a front and bottom perspective view of our invention;
FIG. 2 is a rear and bottom perspective view;
FIG. 3 is a front and top perspective view;
FIG. 4 is a rear and top perspective view of our invention;
FIG. 5 is a front view of our invention;
FIG. 6 is a rear view of our invention;
FIG. 7 is a side view of our invention;
FIG. 8 is a top view of our invention; and,
FIG. 9 is a bottom view of our invention.

1 Claim, 9 Drawing Sheets



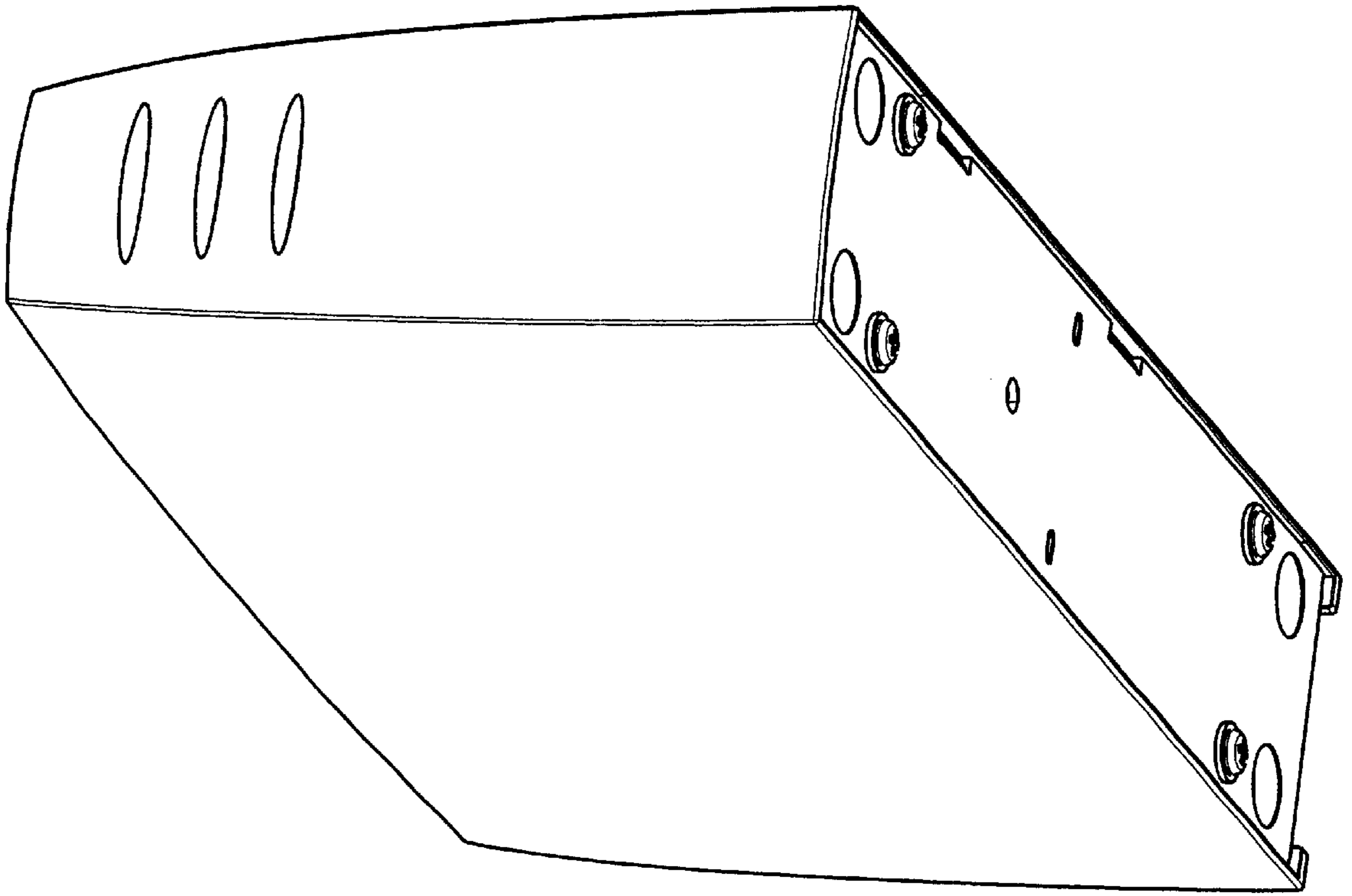


Fig. 1

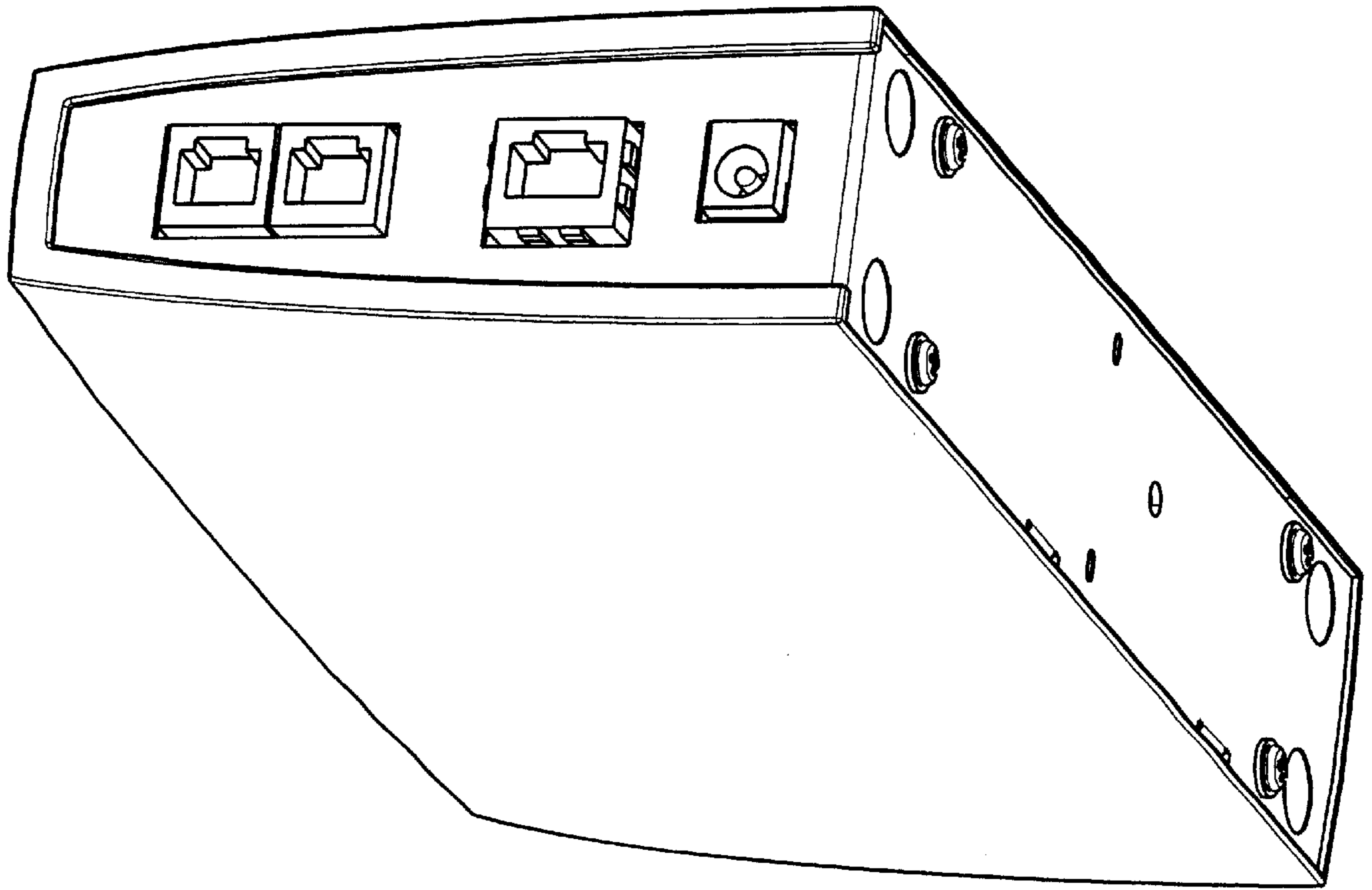


Fig. 2

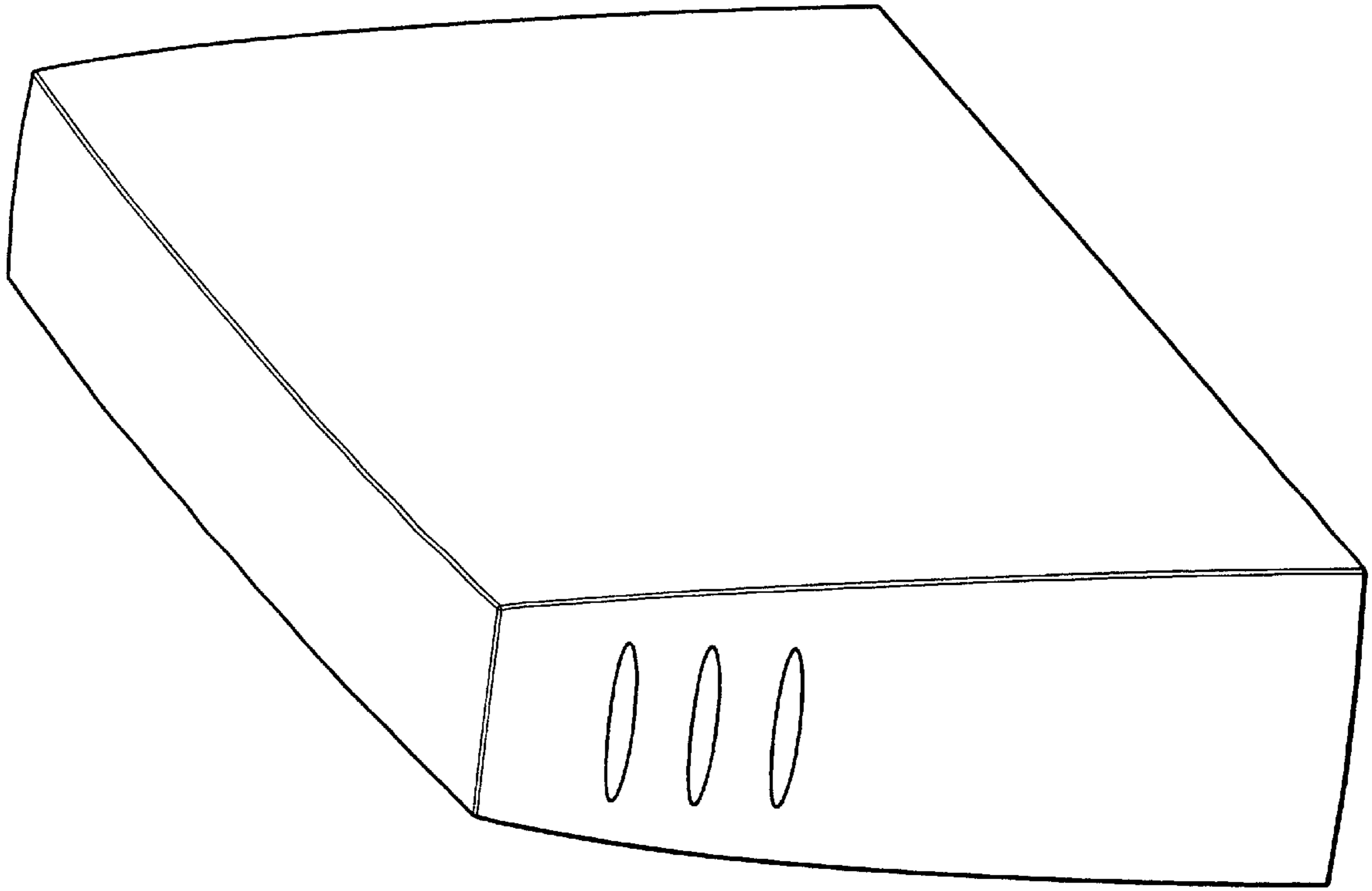


Fig. 3

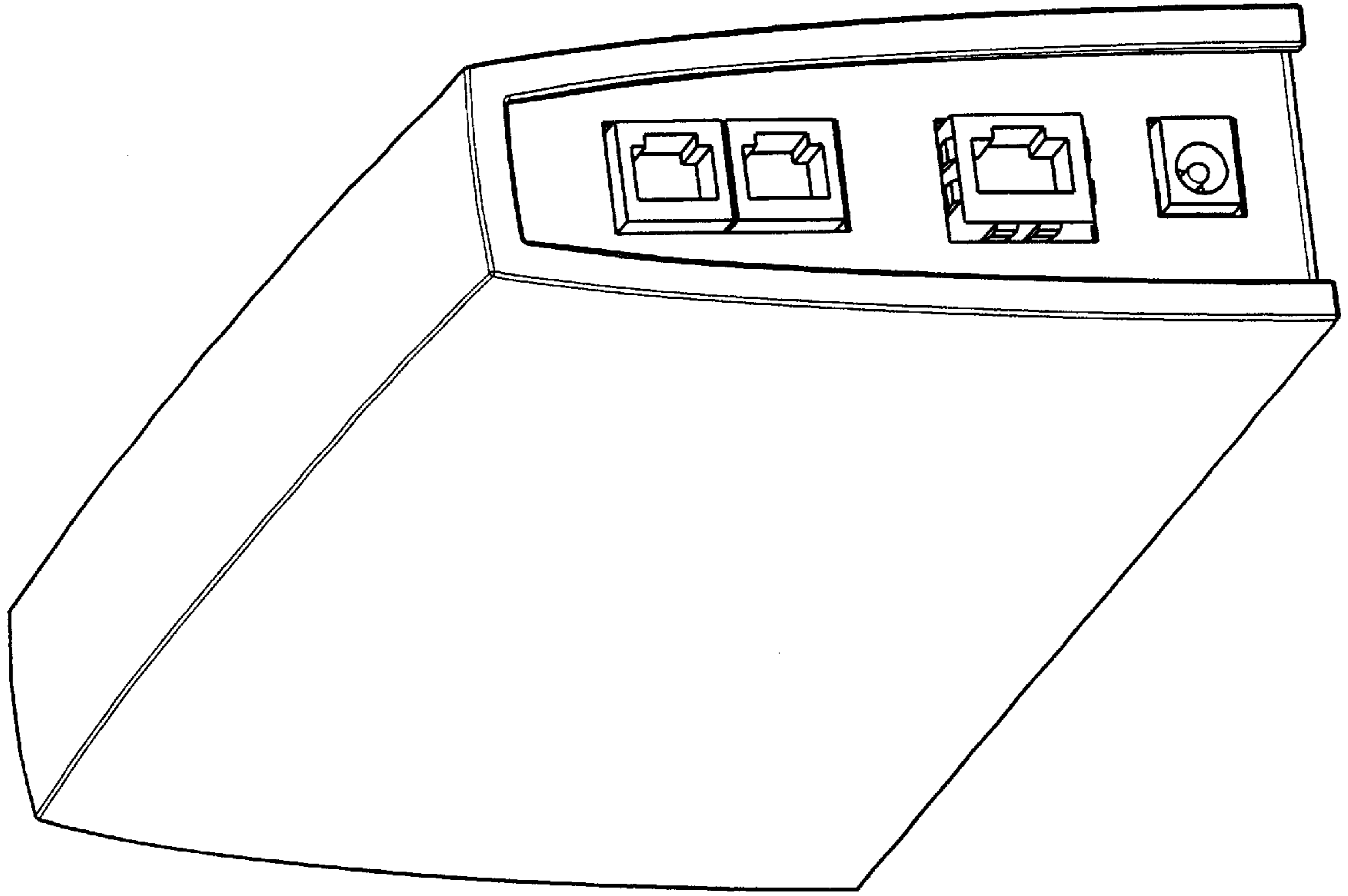


Fig. 4

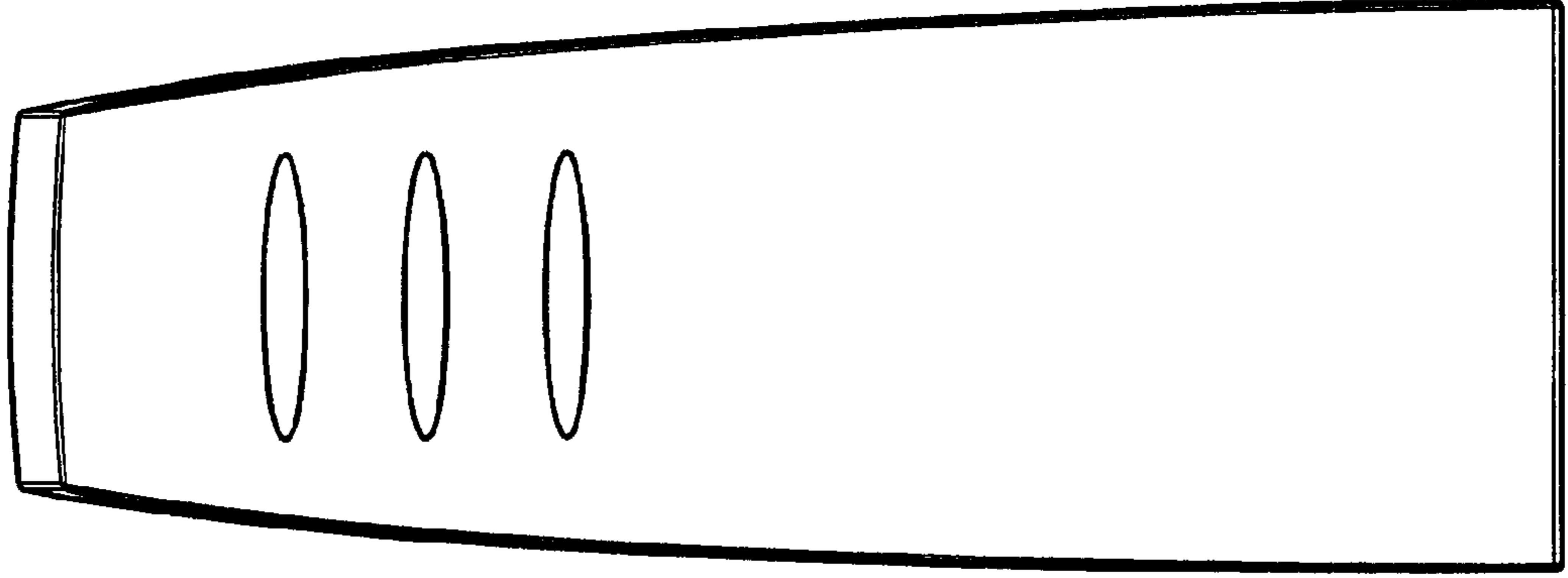


Fig. 5

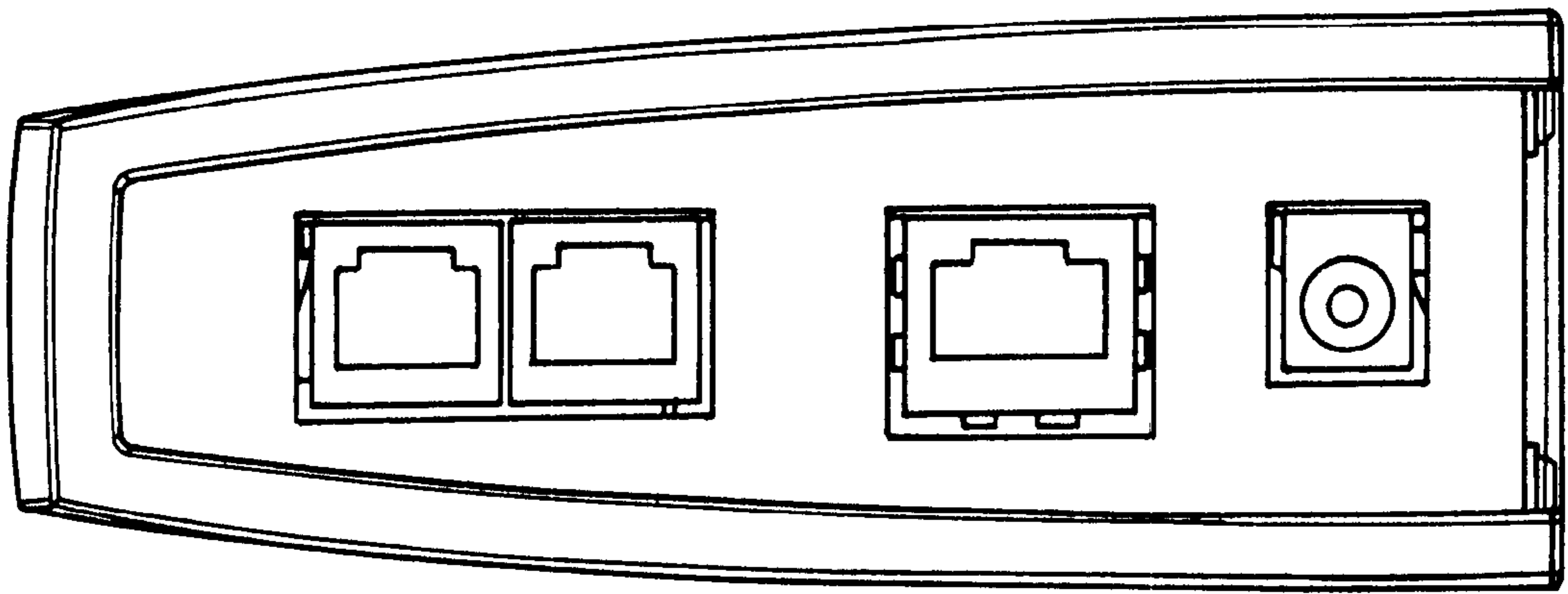


Fig. 6

Fig. 7

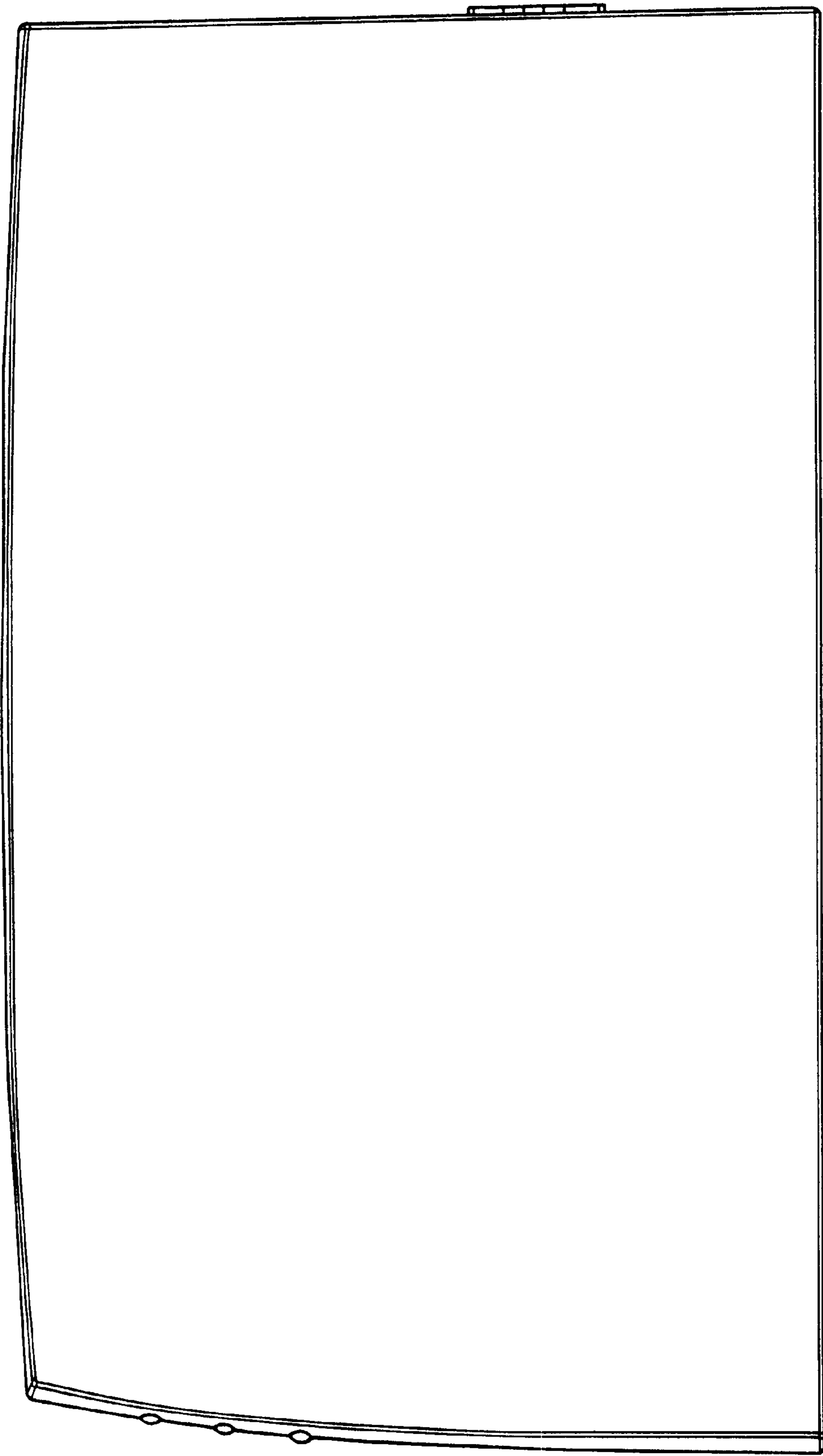


Fig. 8

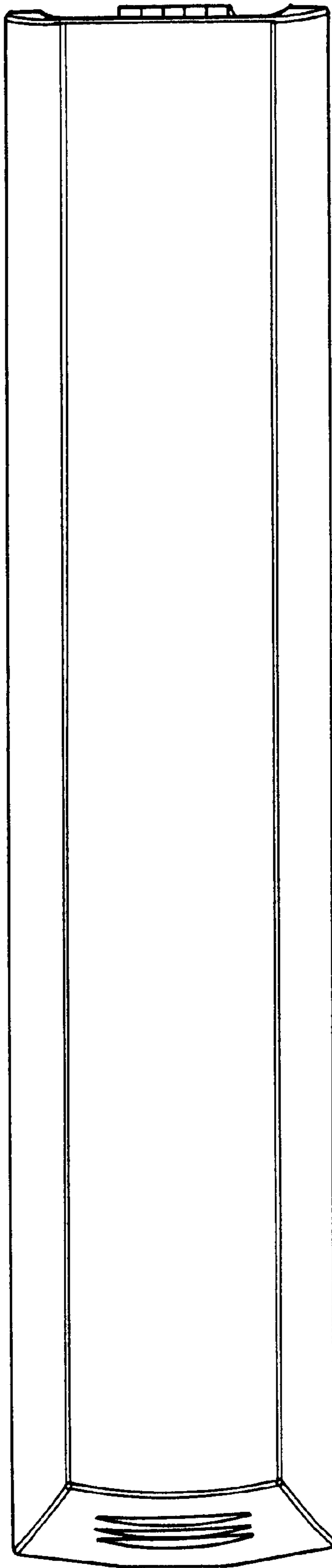


Fig. 9

