



US00D465479S

(12) **United States Design Patent**
Tourres

(10) **Patent No.:** **US D465,479 S**

(45) **Date of Patent:** **** Nov. 12, 2002**

(54) **GLASS MOUNTABLE ANTENNA**
(75) Inventor: **Benoit Tourres**, Porchester (GB)
(73) Assignee: **Continental Technologies & Investments Ltd.**, Fareham Hampshire (GB)

(**) Term: **14 Years**

(21) Appl. No.: **29/147,991**

(22) Filed: **Sep. 13, 2001**

(51) **LOC (7) Cl.** **14-03**

(52) **U.S. Cl.** **D14/230**

(58) **Field of Search** D14/230-238;
343/711-717, 702, 720, 900, 901, 907,
872, 873, 878, 879, 700 MS, 828, 829,
830, 846, 848; 455/90, 128, 347, 562

(56) **References Cited**

U.S. PATENT DOCUMENTS

- D354,060 S * 1/1995 Witzky D14/230
- D379,356 S * 5/1997 Liu et al. D14/230
- D398,610 S * 9/1998 Read D14/230
- D401,595 S * 11/1998 Guttadauro D14/230

- D405,909 S * 2/1999 Guttadauro D14/230
- 6,067,053 A * 5/2000 Runyon et al. 343/700 MS
- 6,069,589 A * 5/2000 Lewis et al. 343/700 MS
- 6,295,029 B1 * 9/2001 Chen et al. 343/700 MS
- 6,333,714 B1 * 12/2001 Takahashi 343/700 MS

* cited by examiner

Primary Examiner—Doris Clark

Assistant Examiner—Deanne Levy

(74) *Attorney, Agent, or Firm*—Webb Ziesenheim Logsdon Orkin & Hanson, P.C.

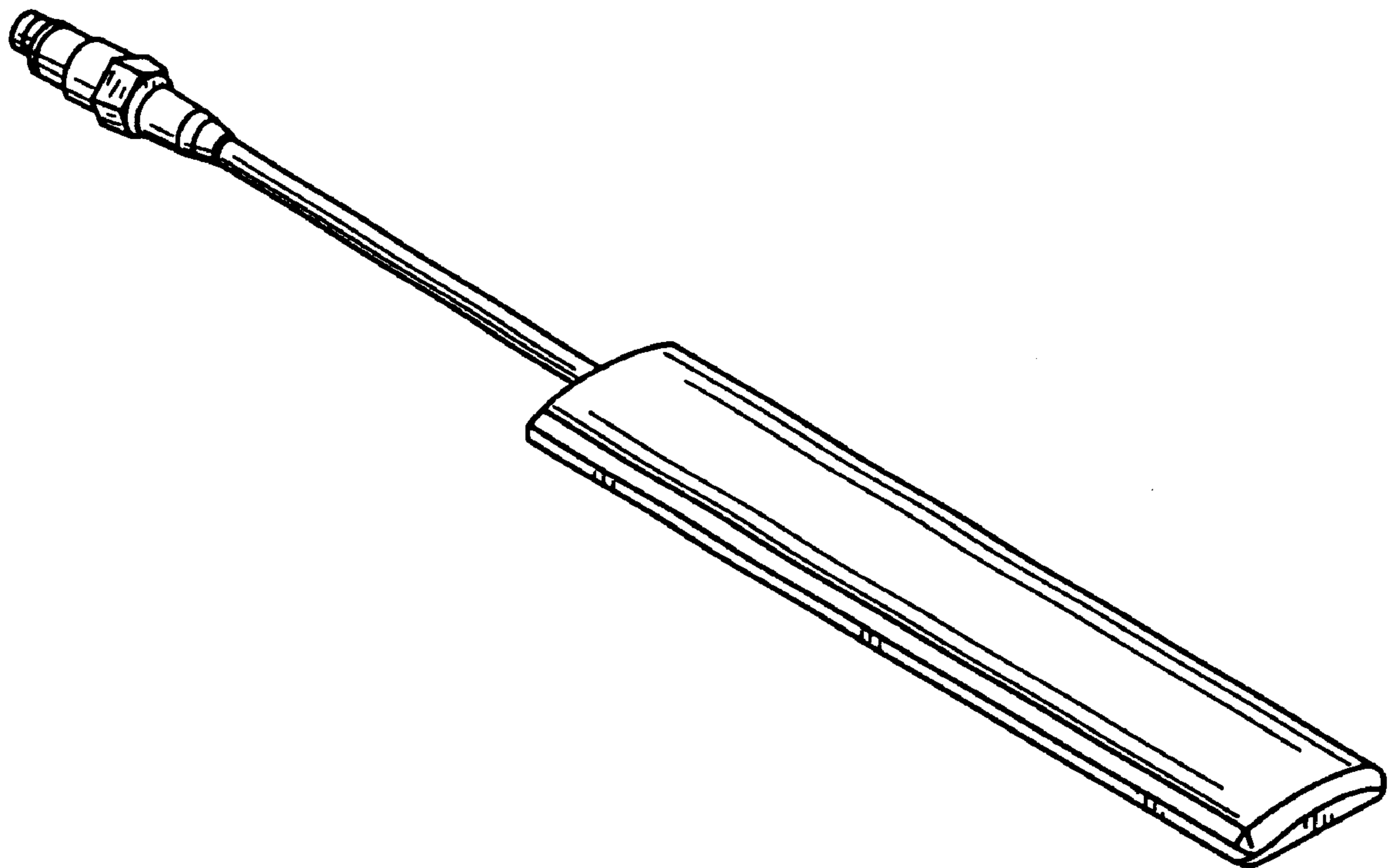
(57) **CLAIM**

The ornamental design for a glass mountable antenna, as shown and described.

DESCRIPTION

FIG. 1 is a perspective view of a glass mountable antenna showing the new ornamental design;
FIG. 2 is a top plan view thereof;
FIG. 3 is a front side elevational view thereof, the rear side view being a mirror image thereof;
FIG. 4 is a left end elevational view thereof;
FIG. 5 is a right end elevational view thereof; and,
FIG. 6 is a bottom plan view thereof.

1 Claim, 3 Drawing Sheets



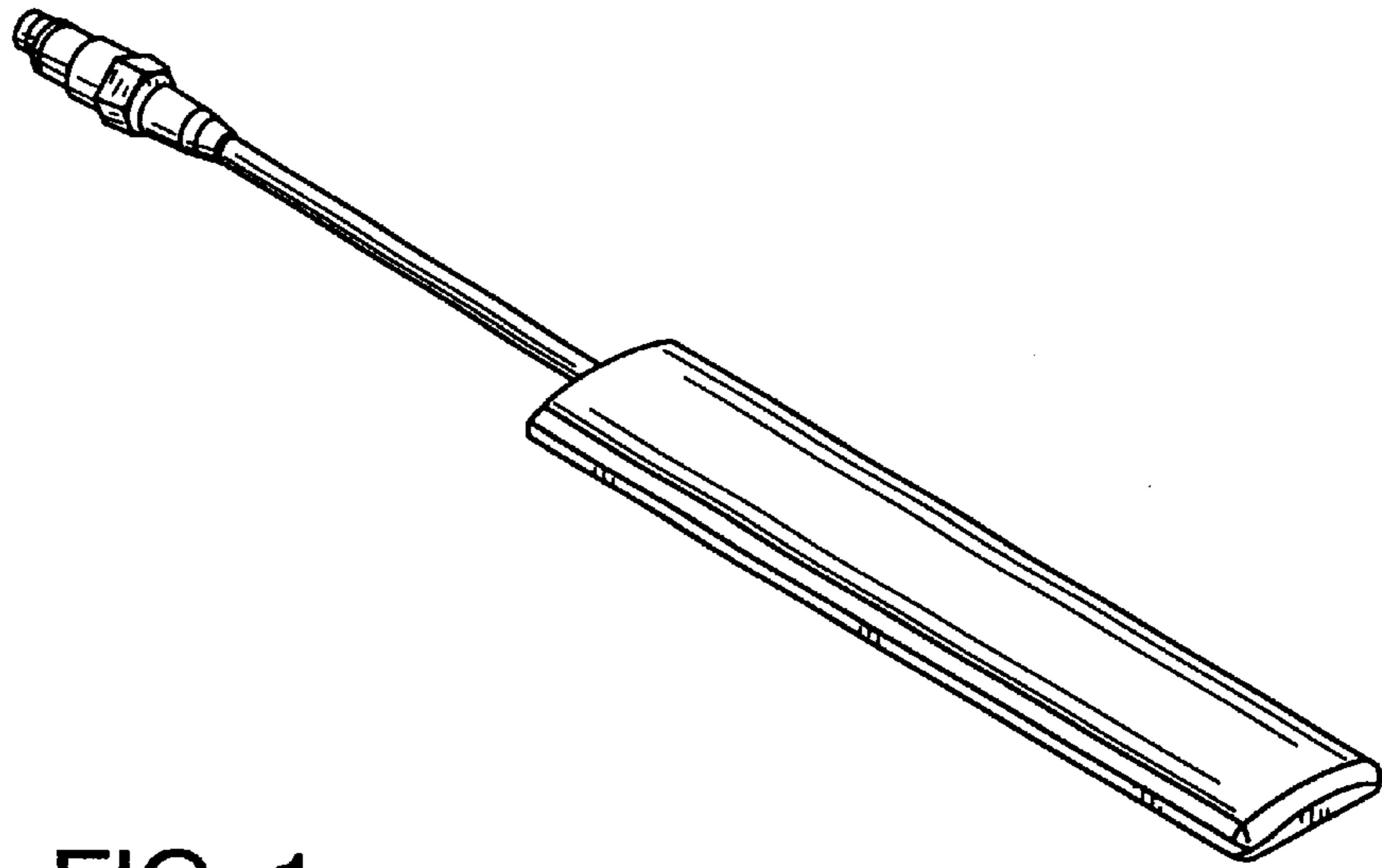


FIG. 1

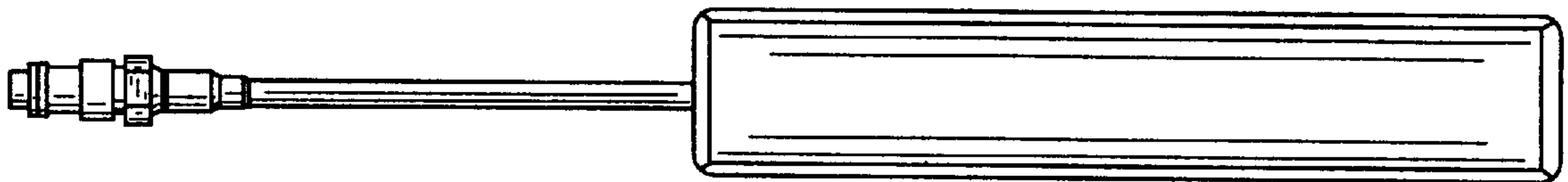


FIG. 2

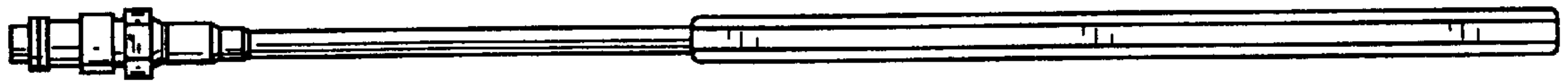


FIG. 3



FIG. 4



FIG. 5

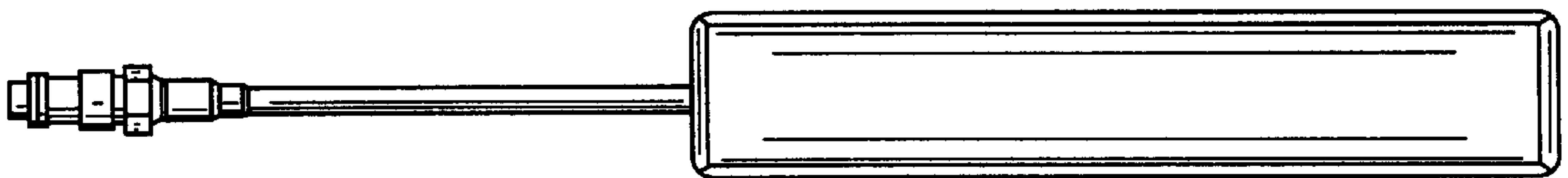


FIG. 6