



US00D465475S

(12) **United States Design Patent**
Ishibashi

(10) **Patent No.:** **US D465,475 S**

(45) **Date of Patent:** **** Nov. 12, 2002**

(54) **DISC PLAYER**

(75) Inventor: **Yasuhiro Ishibashi**, Tokyo (JP)

(73) Assignee: **Sony Corporation**, Tokyo (JP)

(**) Term: **14 Years**

(21) Appl. No.: **29/149,722**

(22) Filed: **Oct. 17, 2001**

(51) **LOC (7) Cl.** **14-99**

(52) **U.S. Cl.** **D14/217; D14/156**

(58) **Field of Search** D14/135-136,
D14/156-157, 160, 167-168, 188, 193-198;
369/75.1, 75.2, 77.1, 77.2

(56) **References Cited**

U.S. PATENT DOCUMENTS

D383,752 S	9/1997	Matsuzaka	
D385,879 S	11/1997	Isonaga	
D409,606 S	5/1999	Syudo	
D427,581 S	7/2000	Hattori	
D430,551 S	* 9/2000	Shiono D14/156

D431,543 S	10/2000	Yuyama	
D436,094 S	1/2001	Yamada	
D438,526 S	* 3/2001	Kayatama D14/156

* cited by examiner

Primary Examiner—Nanda Bondade

(74) *Attorney, Agent, or Firm*—Rader, Fishman & Grauer PLLC

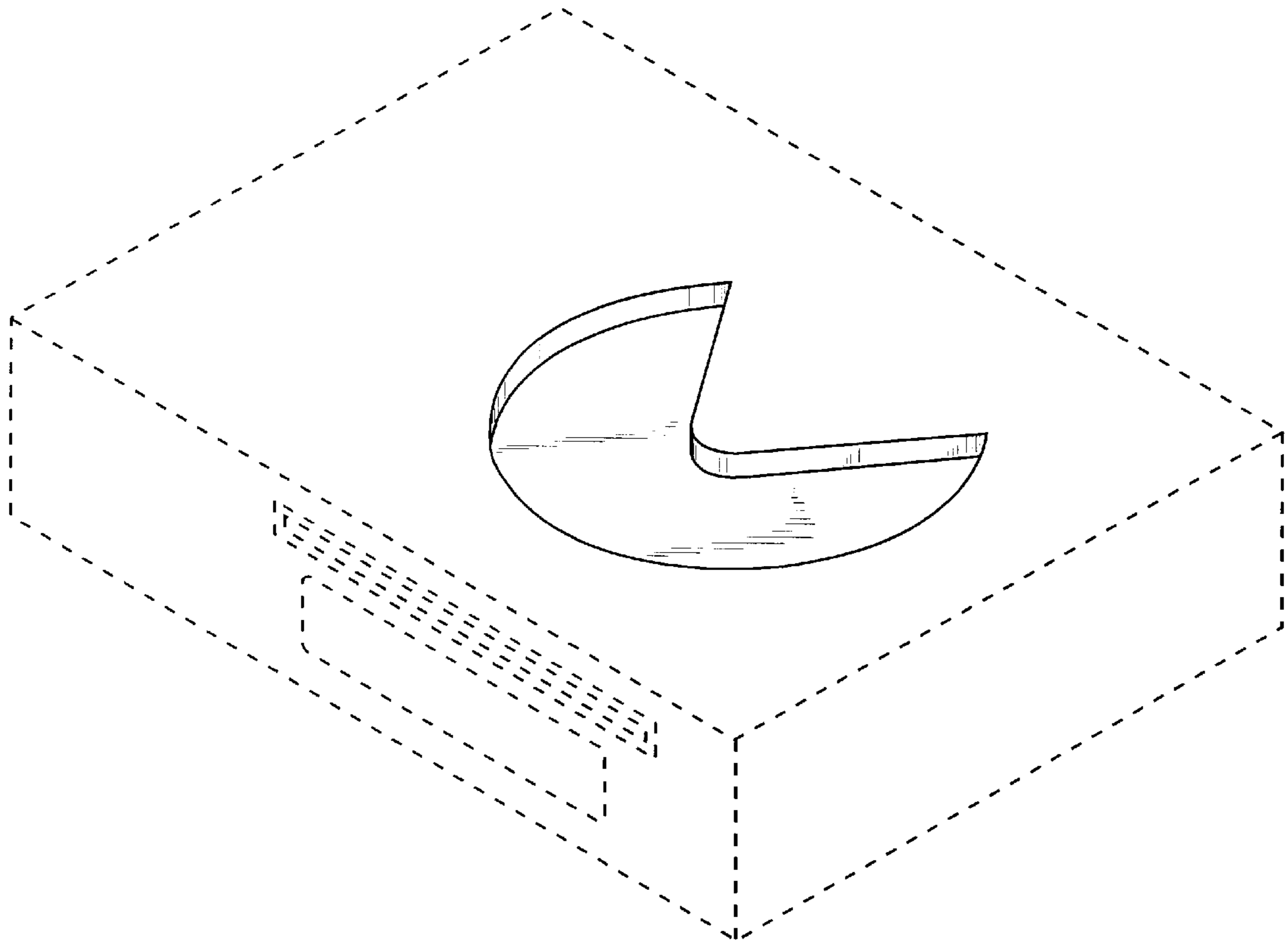
(57) **CLAIM**

The ornamental design for a disc player, as shown and described.

DESCRIPTION

FIG. 1 is a perspective view of a disc player showing my new design;
FIG. 2 is a top plan view thereof;
FIG. 3 is another embodiment perspective view of a disc player; and,
FIG. 4 is a top plan view thereof.
Portions in broken lines are for illustrative purposes only and form no part of the claimed design.

1 Claim, 4 Drawing Sheets



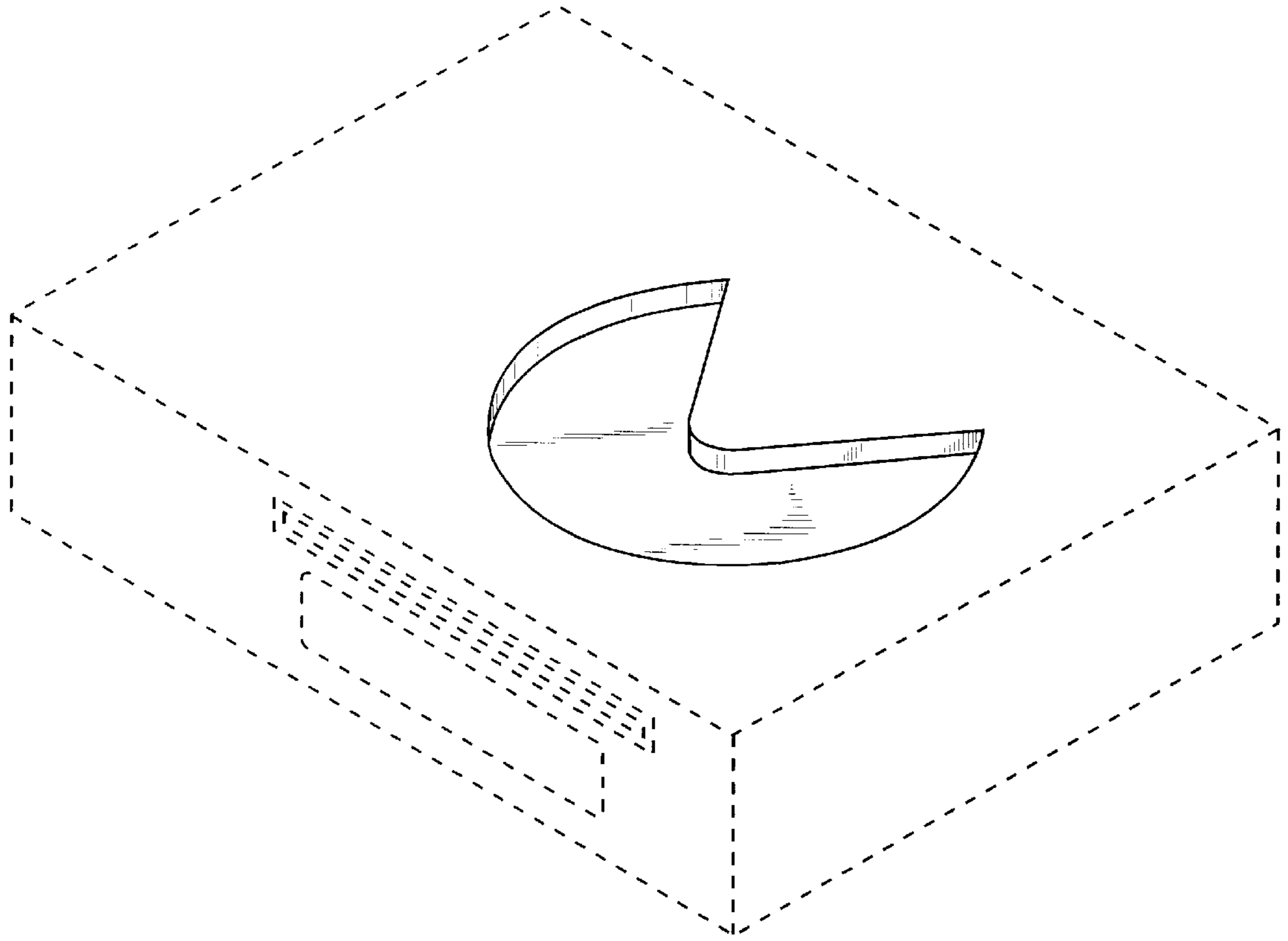


Fig. 1

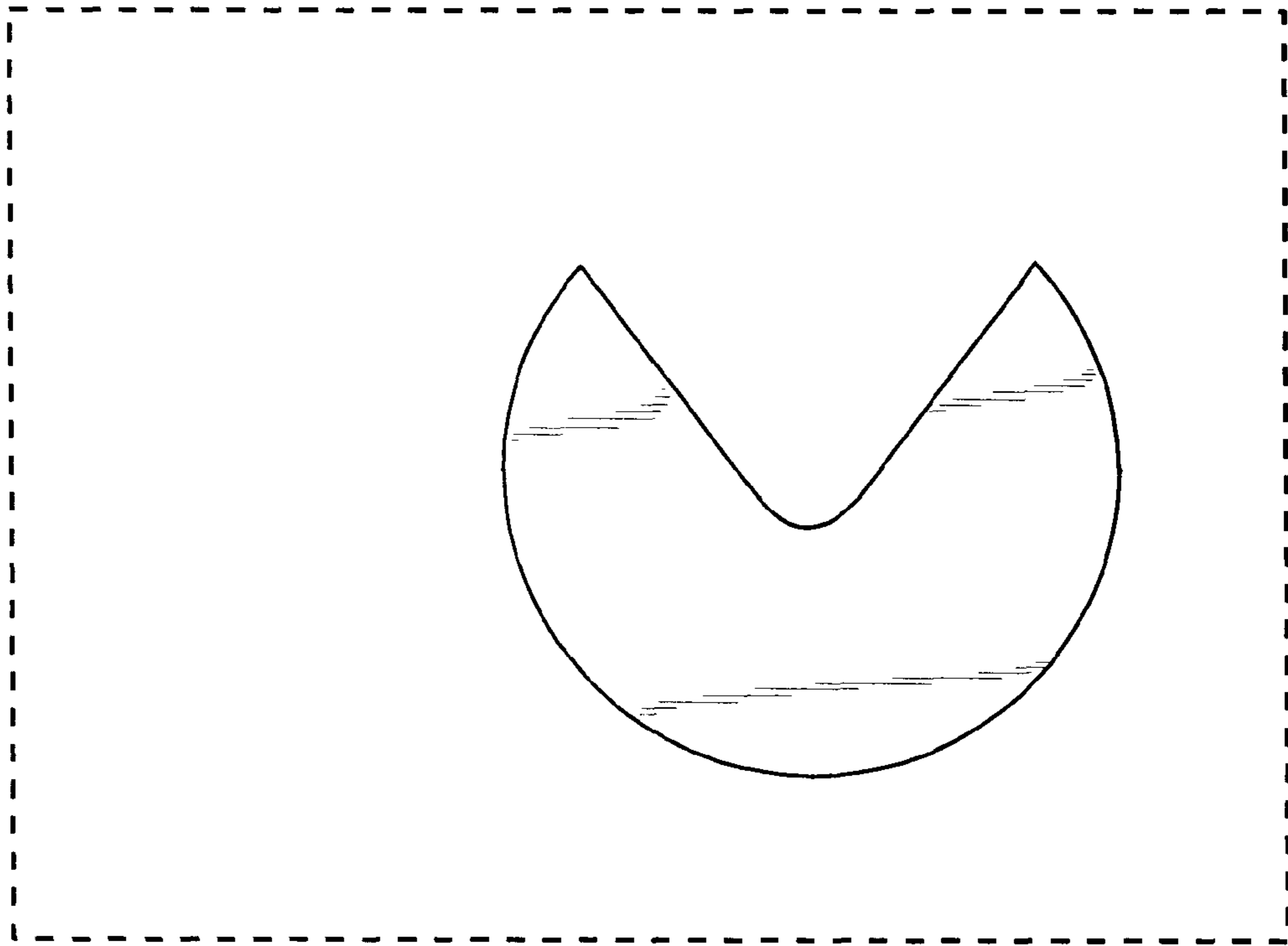


Fig. 2

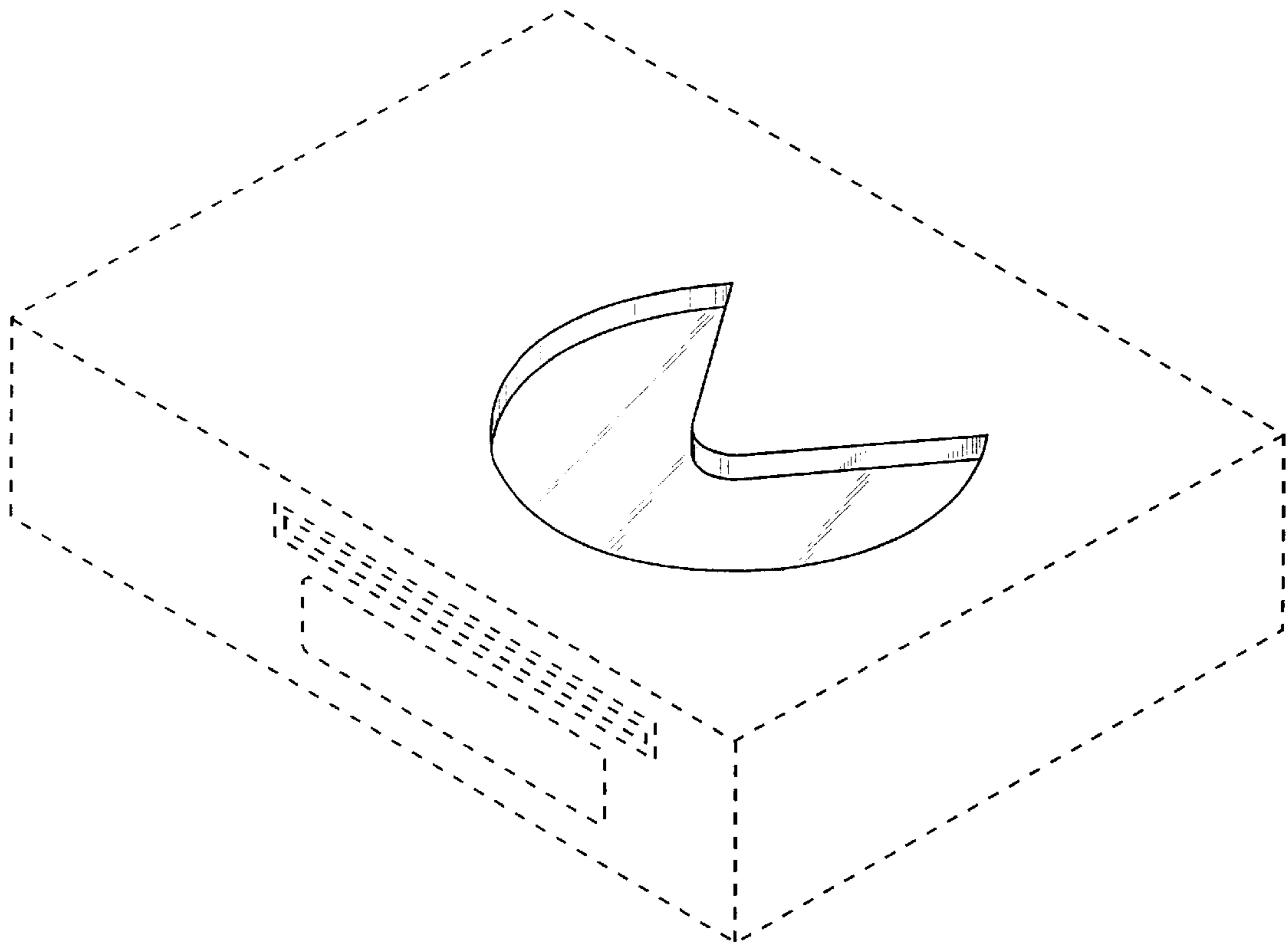


Fig. 3

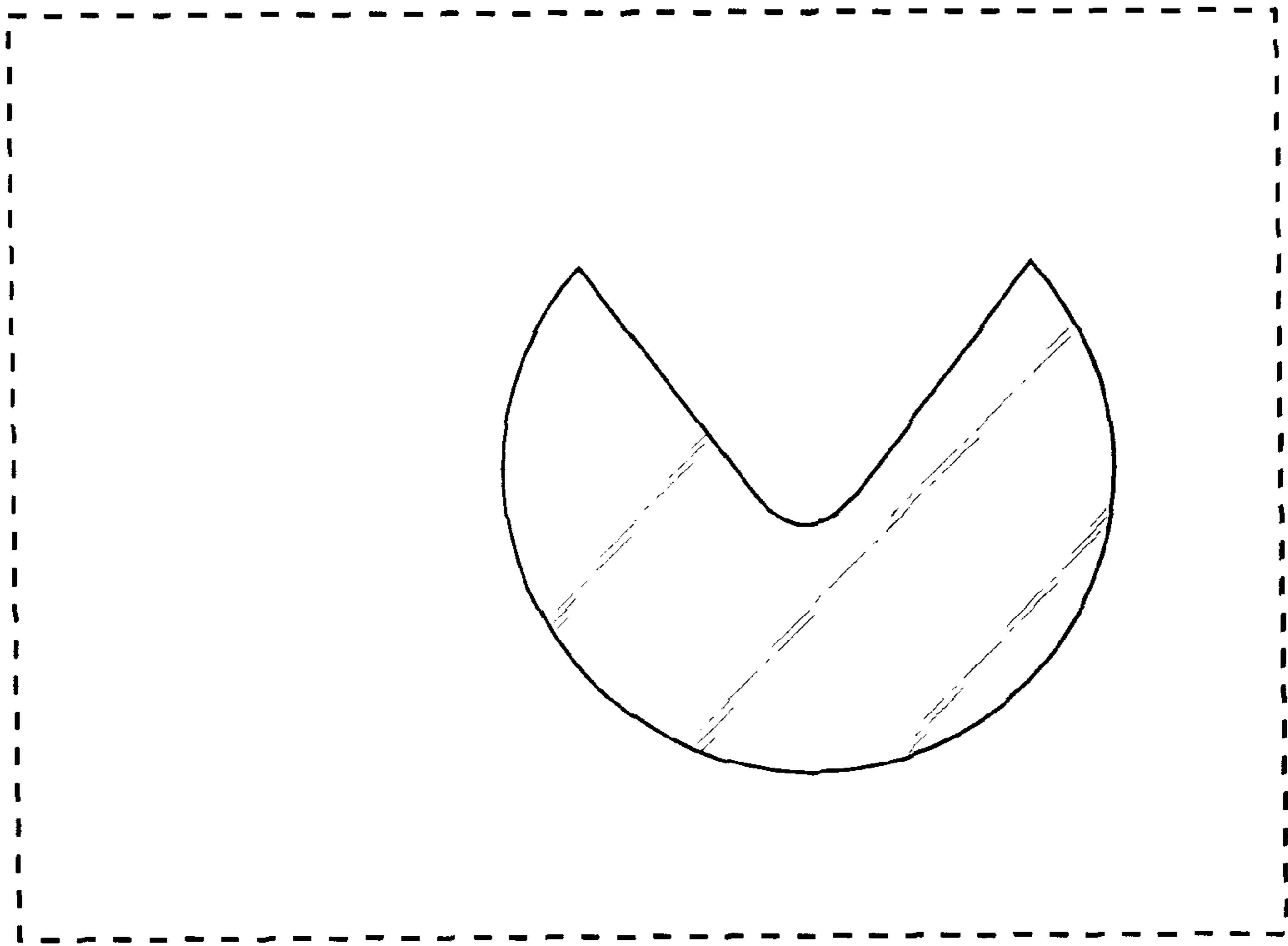


Fig. 4