



US00D465471S

(12) **United States Design Patent**
Nguyen et al.

(10) **Patent No.:** **US D465,471 S**

(45) **Date of Patent:** **** Nov. 12, 2002**

(54) **DATA COMMUNICATOR**

(75) Inventors: **Huy Phuong Nguyen**, Palo Alto, CA (US); **Albert Leo Nagele**, Wilmette, IL (US); **Paul A. DiSalvo**, Lake Worth, FL (US); **Monika Romana Wolf**, Parkland, FL (US); **Daniel Ray Troutman**, Boynton Beach, FL (US)

(73) Assignee: **Motorola, Inc.**, Schaumburg, IL (US)

(**) Term: **14 Years**

(21) Appl. No.: **29/125,520**

(22) Filed: **Jun. 26, 2000**

(51) **LOC (7) Cl.** **14-03**

(52) **U.S. Cl.** **D14/191**

(58) **Field of Search** D14/130, 137-138, D14/155, 188, 191-192; D18/1, 6-7; 340/311.1; 455/92, 100, 128, 344

(56) **References Cited**

U.S. PATENT DOCUMENTS

D382,560 S * 8/1997 Khoo et al. D14/191

D409,195 S * 5/1999 Halstead et al. D14/191

D417,216 S * 11/1999 Wolf et al. D14/191

D420,663 S 2/2000 Goldenberg et al.

D434,405 S 11/2000 Wolf et al.

* cited by examiner

Primary Examiner—Nanda Bondade

(74) *Attorney, Agent, or Firm*—Randi L. Dulaney

(57) **CLAIM**

The ornamental design for a “data communicator”, as shown and described.

DESCRIPTION

FIG. 1 is a top plan view of a data communicator showing our new design;

FIG. 2 is a bottom plan view thereof;

FIG. 3 is a rear elevational view thereof;

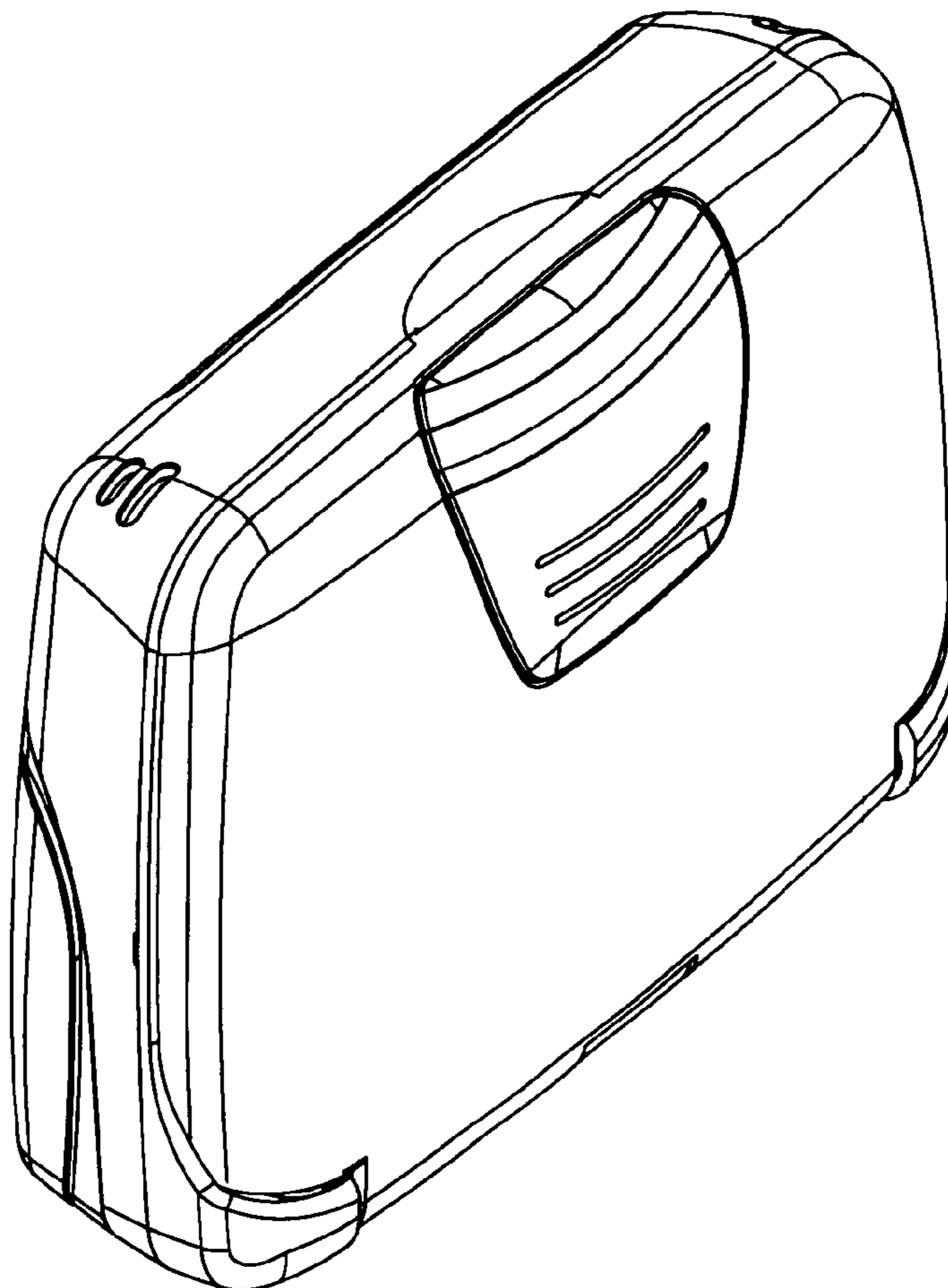
FIG. 4 is a front elevational view thereof;

FIG. 5 is a left side elevational view thereof;

FIG. 6 is a right side elevational view thereof; and,

FIG. 7 is a top, left and front perspective view thereof.

1 Claim, 4 Drawing Sheets



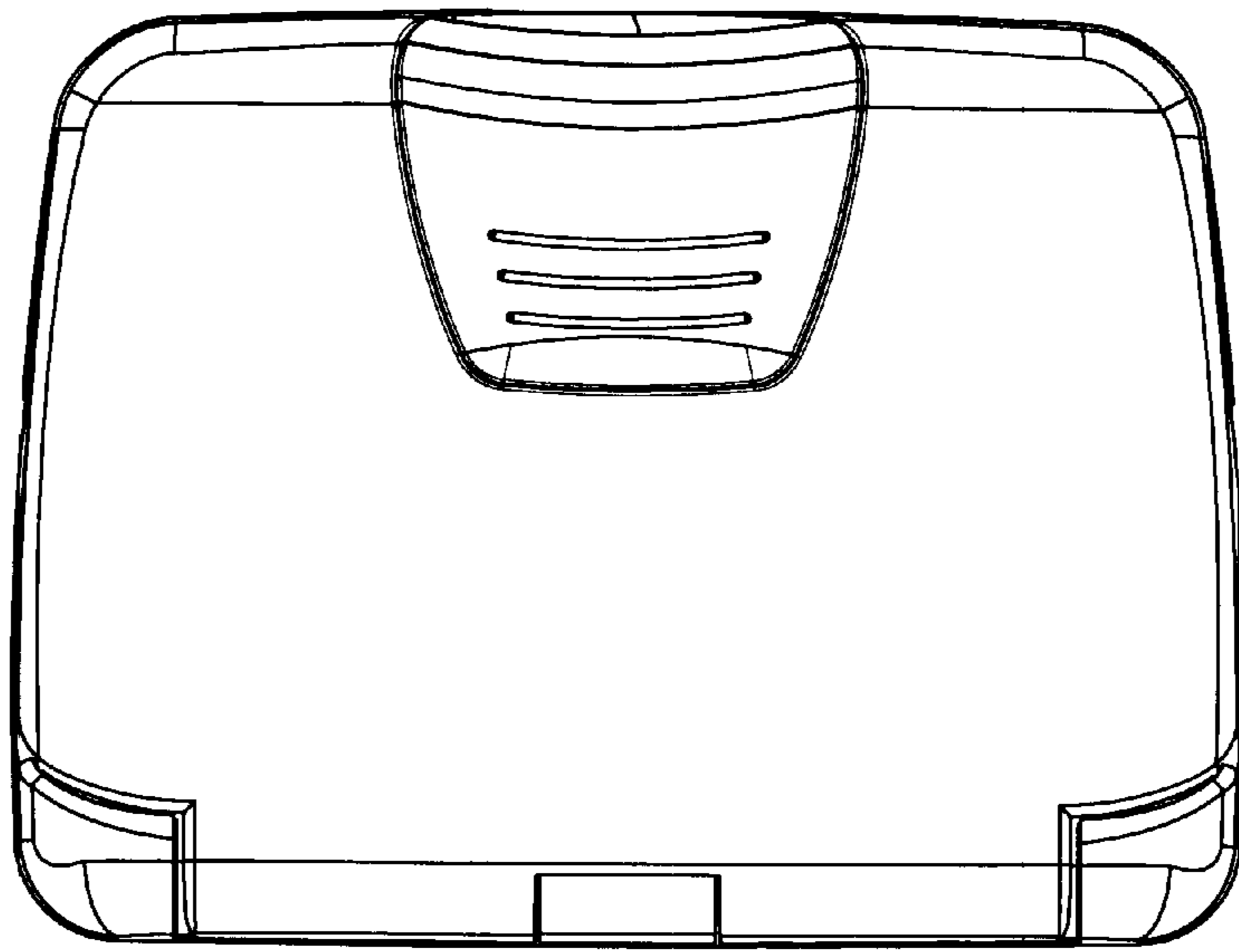


FIG. 1

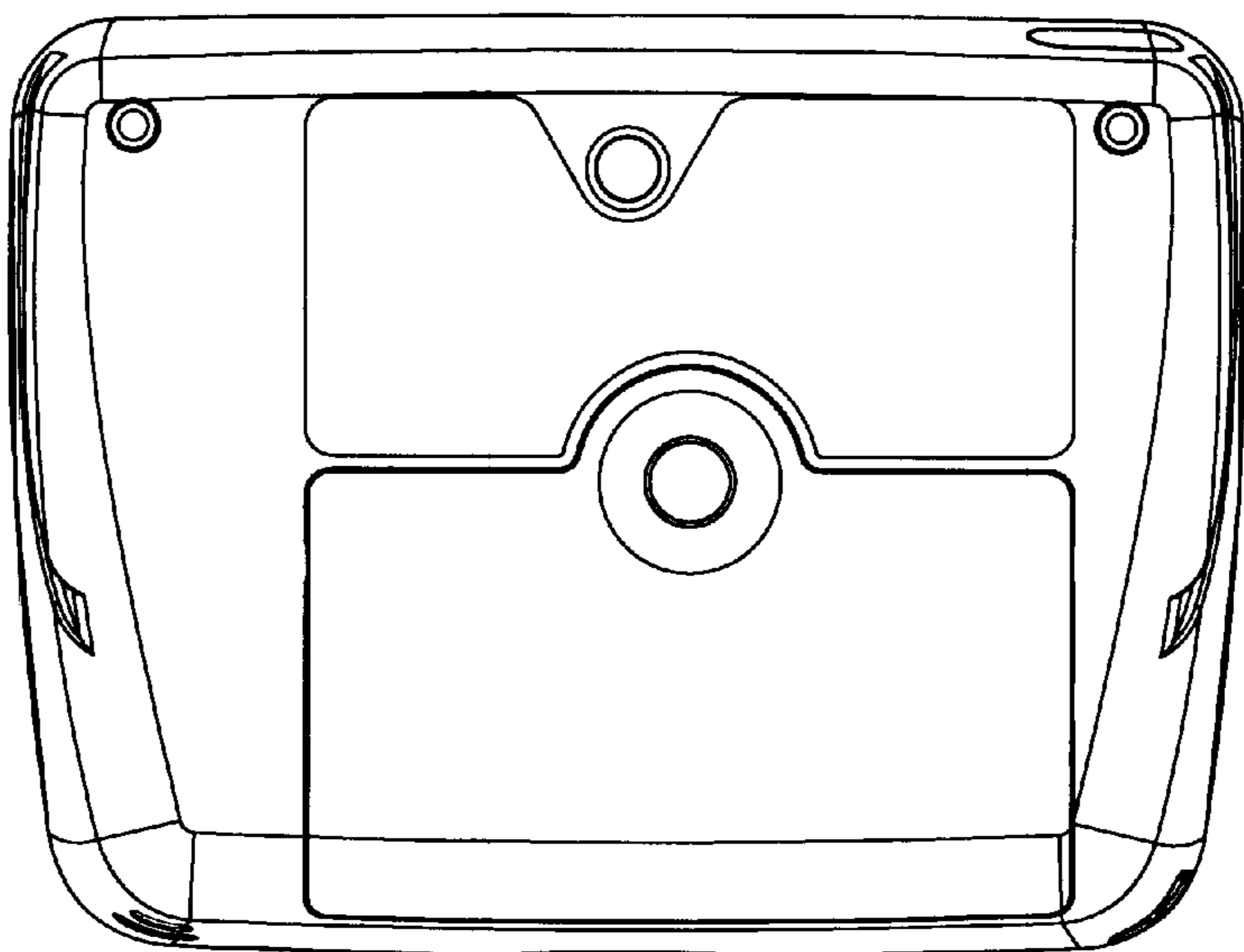


FIG. 2

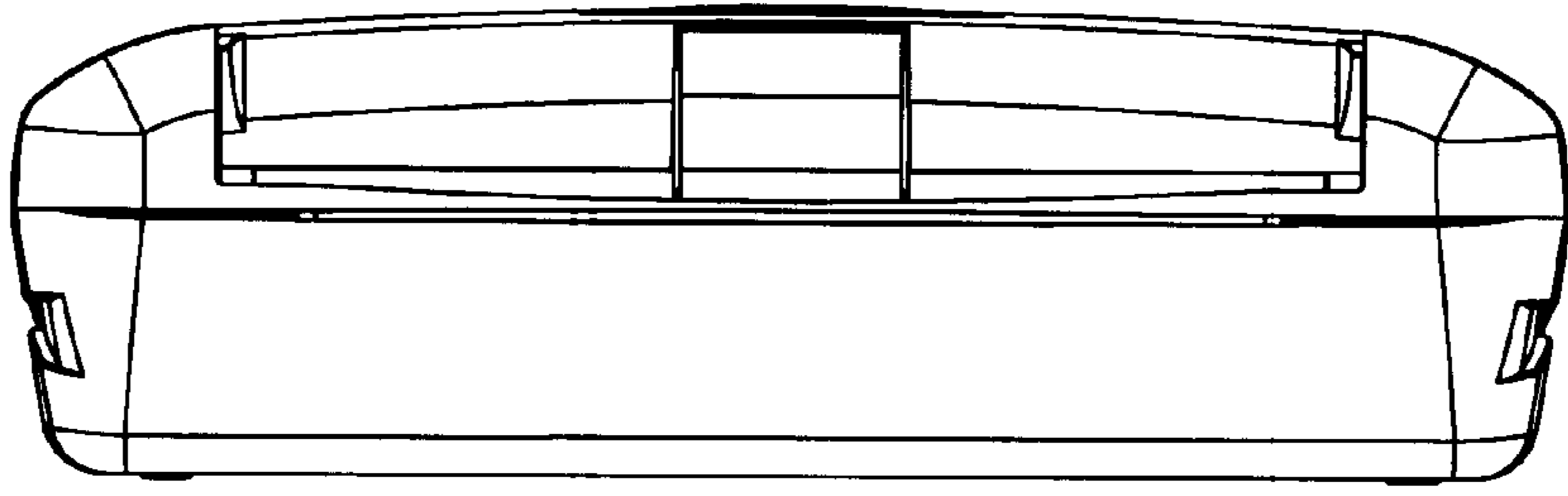


FIG. 3

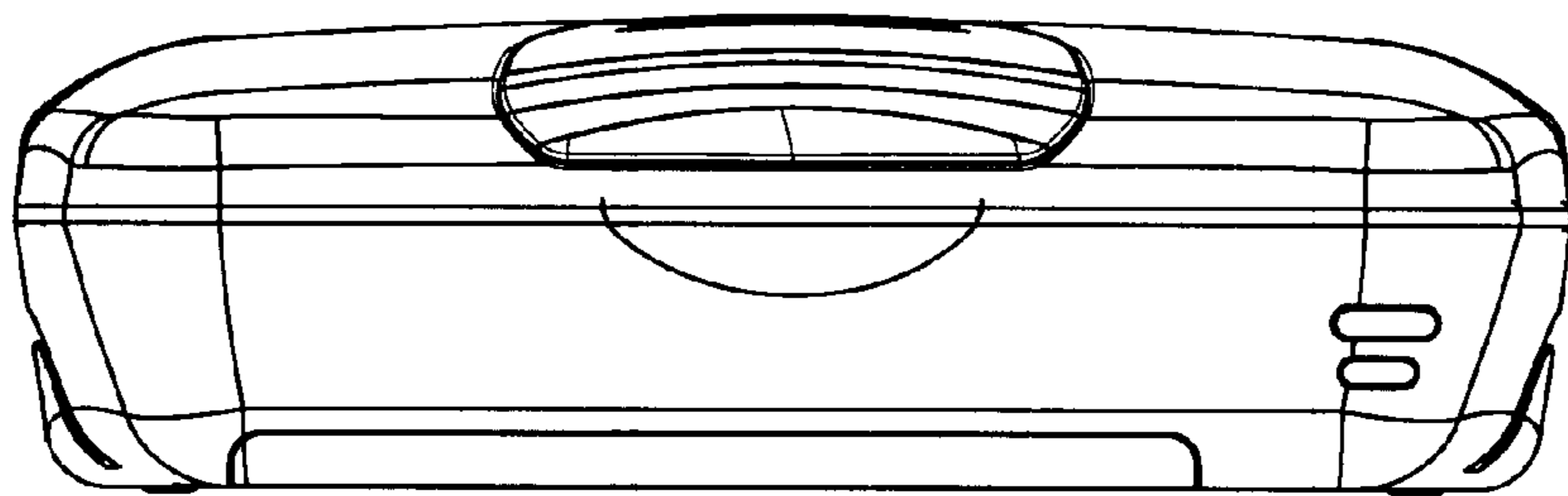


FIG. 4



FIG. 5

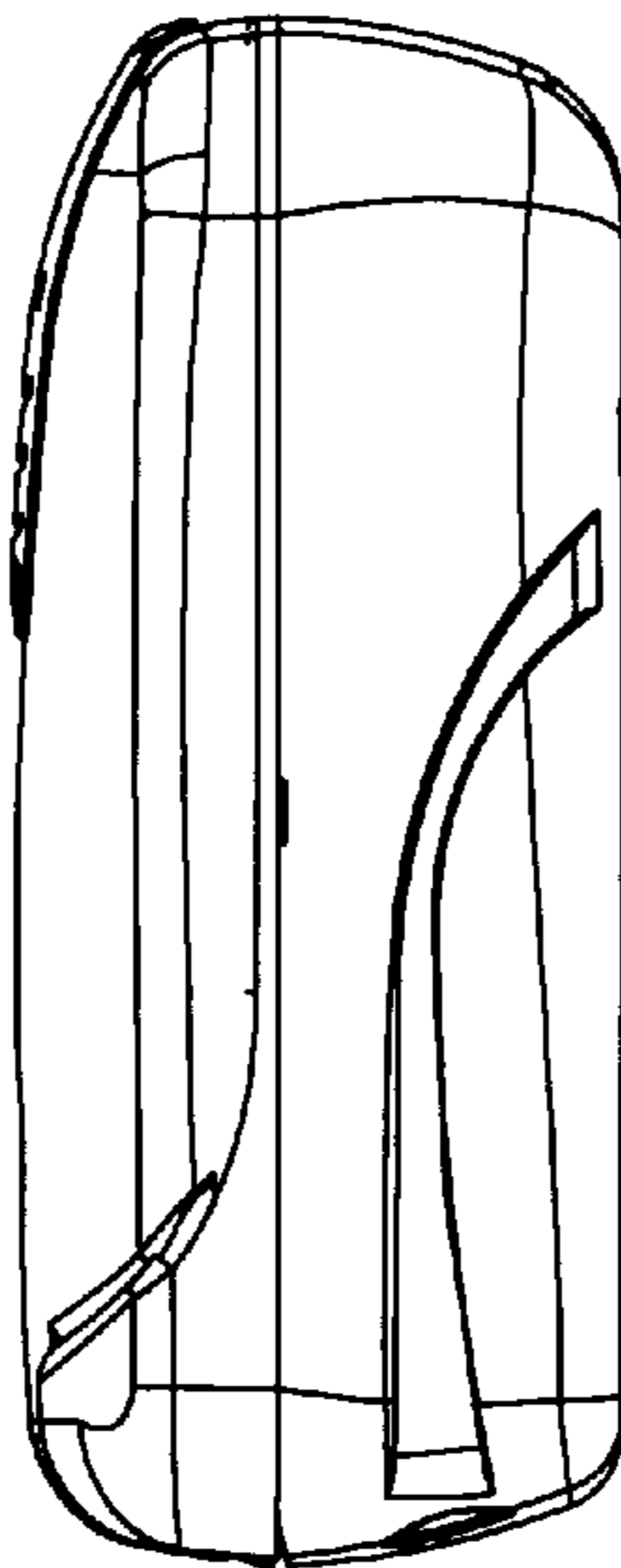


FIG. 6

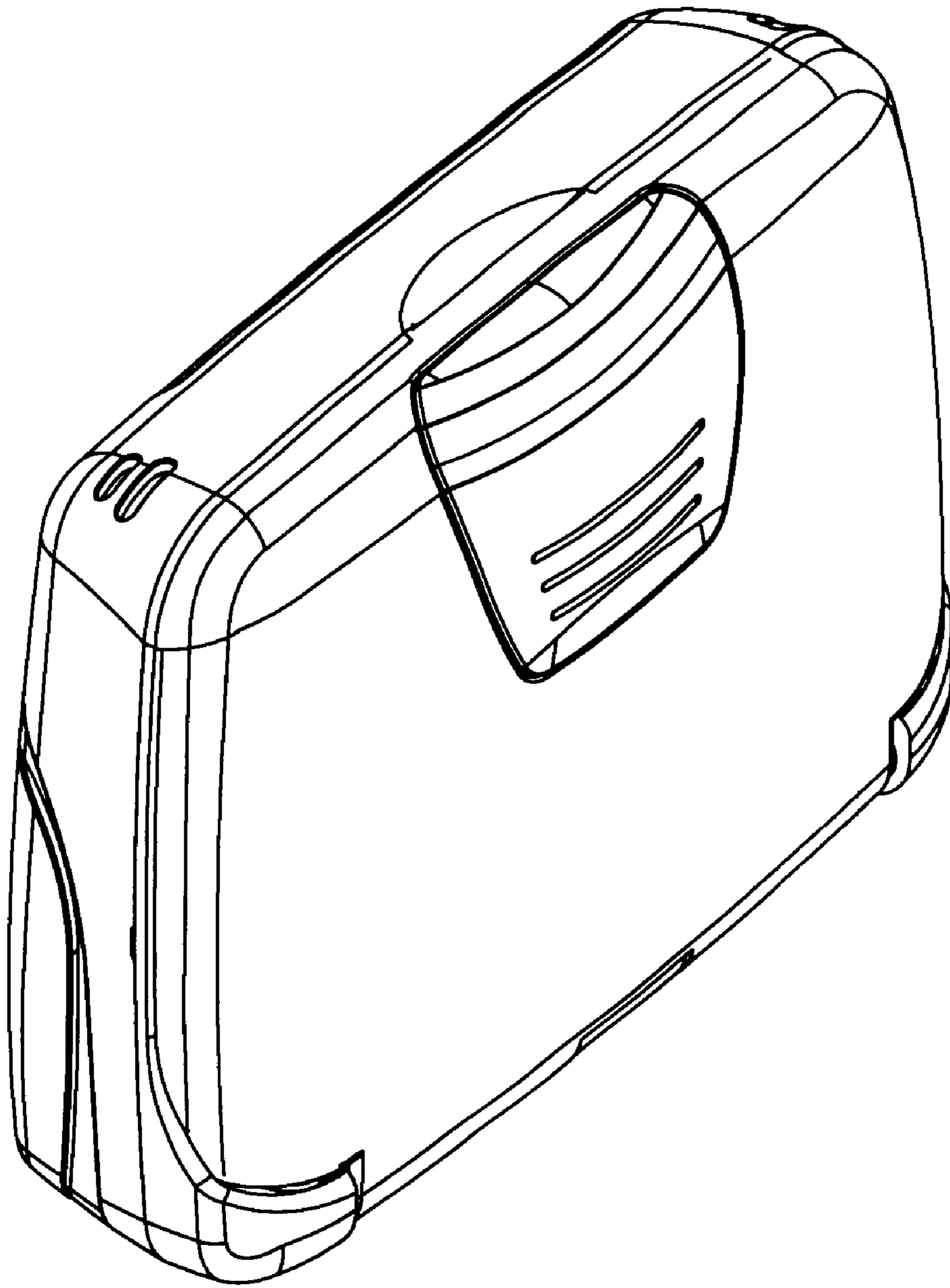


FIG. 7