



US00D465470S

(12) **United States Design Patent**
Ng

(10) **Patent No.:** **US D465,470 S**

(45) **Date of Patent:** **** Nov. 12, 2002**

(54) **CLOCK RADIO RECEIVER**

(75) **Inventor:** **Zachary Ng, Hong Kong (HK)**

(73) **Assignee:** **Koninklijke Philips Electronics N.V., Eindhoven (NL)**

(**) **Term:** **14 Years**

(21) **Appl. No.:** **29/150,743**

(22) **Filed:** **Nov. 28, 2001**

(51) **LOC (7) Cl.** **14-01**

(52) **U.S. Cl.** **D14/171**

(58) **Field of Search** D10/1-2, 15; D14/135-136, D14/156, 162, 167-168, 170-171, 188-189, 193-198; 312/7.1; 455/90, 100, 128, 344, 347, 350-351

(56) **References Cited**

U.S. PATENT DOCUMENTS

D240,270 S * 6/1976 Kawano D14/171

D304,453 S * 11/1989 Matsushima D14/170

D333,272 S * 2/1993 Peersmann D10/15

D407,324 S * 3/1999 Bragg D10/15

D415,760 S * 10/1999 Isonaga D14/171

* cited by examiner

Primary Examiner—Nanda Bondade

(74) *Attorney, Agent, or Firm*—Ernestine C. Bartlett

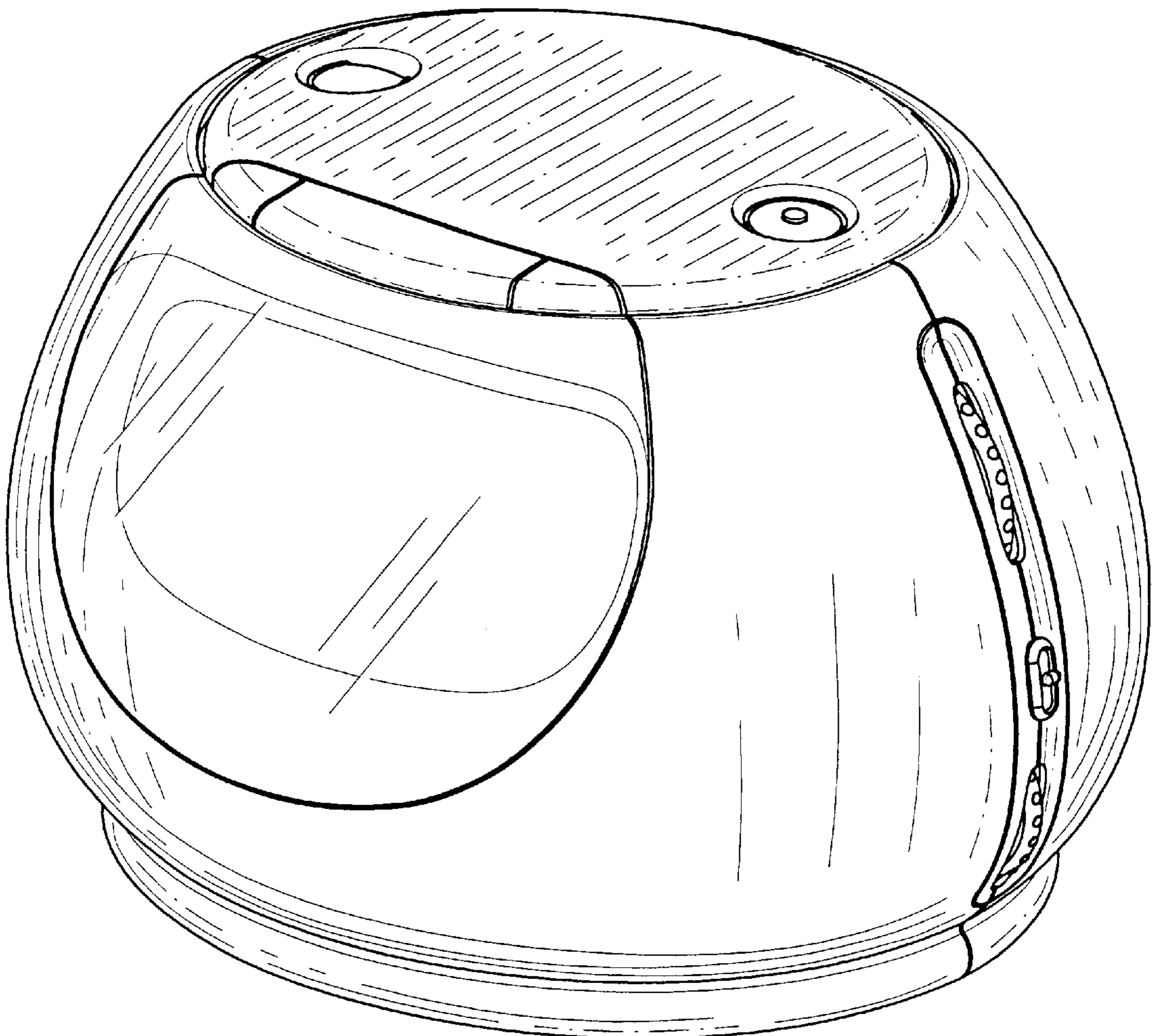
(57) **CLAIM**

The ornamental design for a clock radio receiver, as shown.

DESCRIPTION

FIG. 1 is a perspective view showing my design; FIG. 2 is a front elevational view thereof; FIG. 3 is a rear elevational view thereof; FIG. 4 is a left side elevational view thereof; FIG. 5 is a right side elevational view thereof; FIG. 6 is a top plan view thereof; and, FIG. 7 is a bottom plan view thereof.

1 Claim, 5 Drawing Sheets



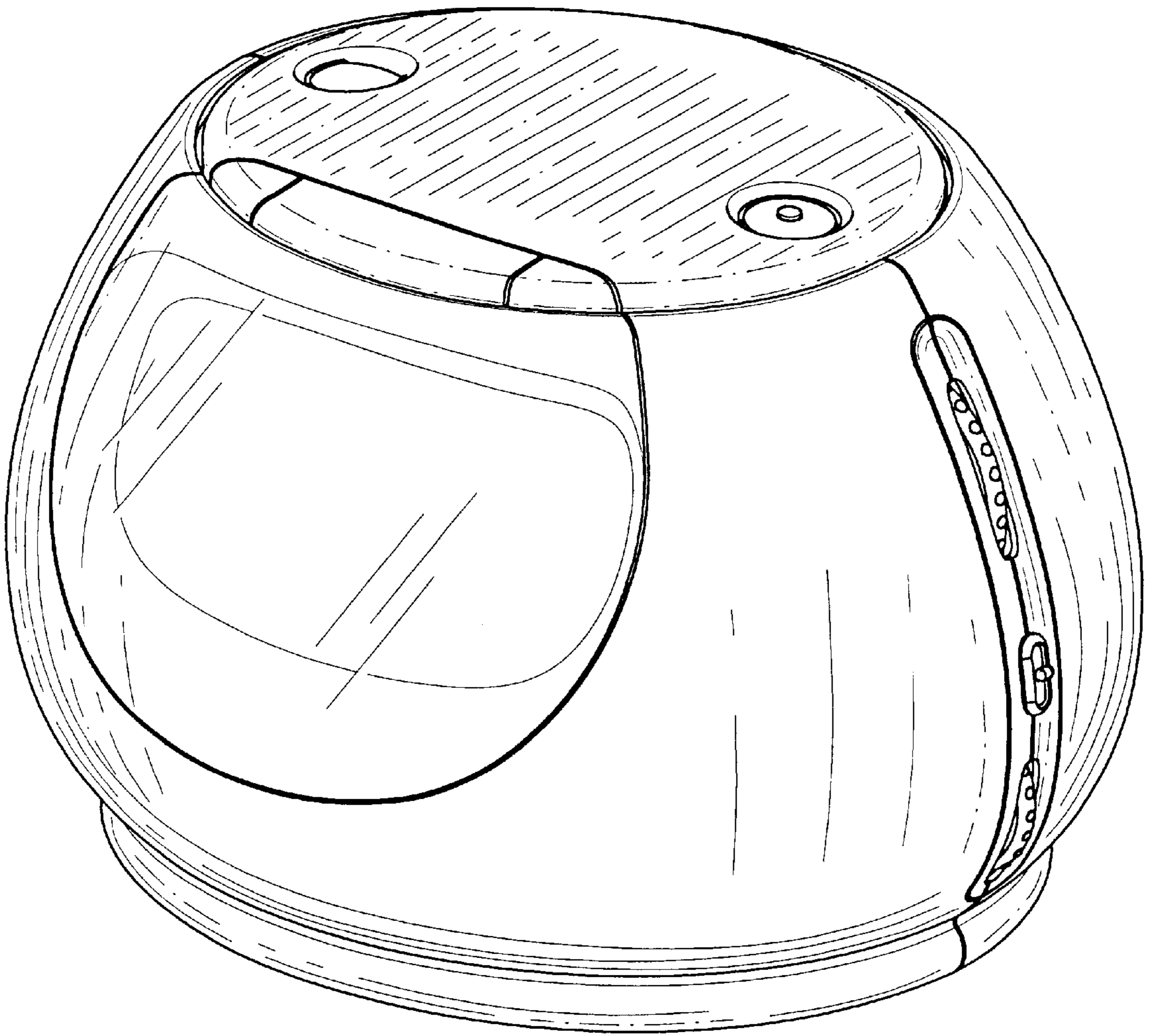


FIG. 1

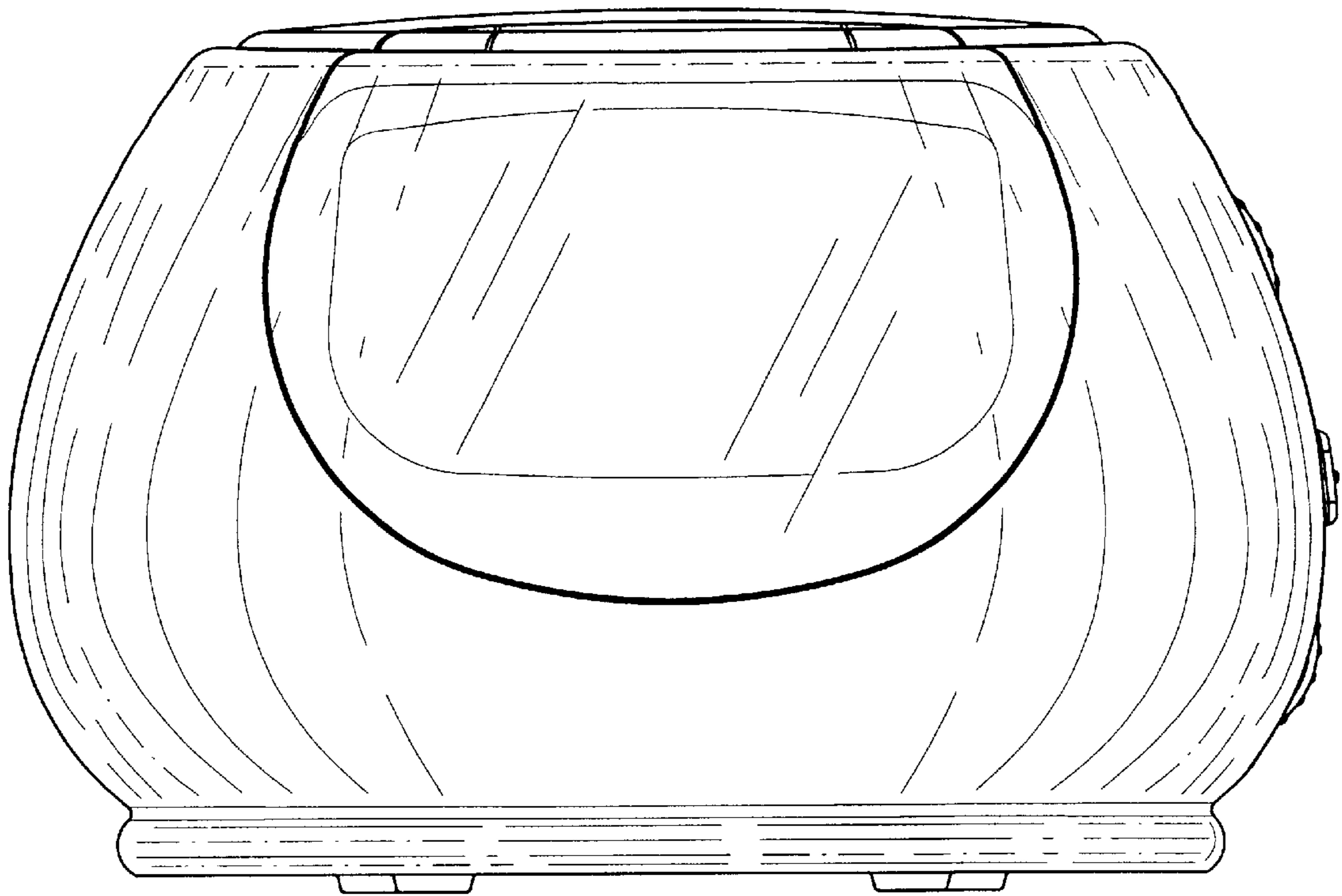


FIG. 2

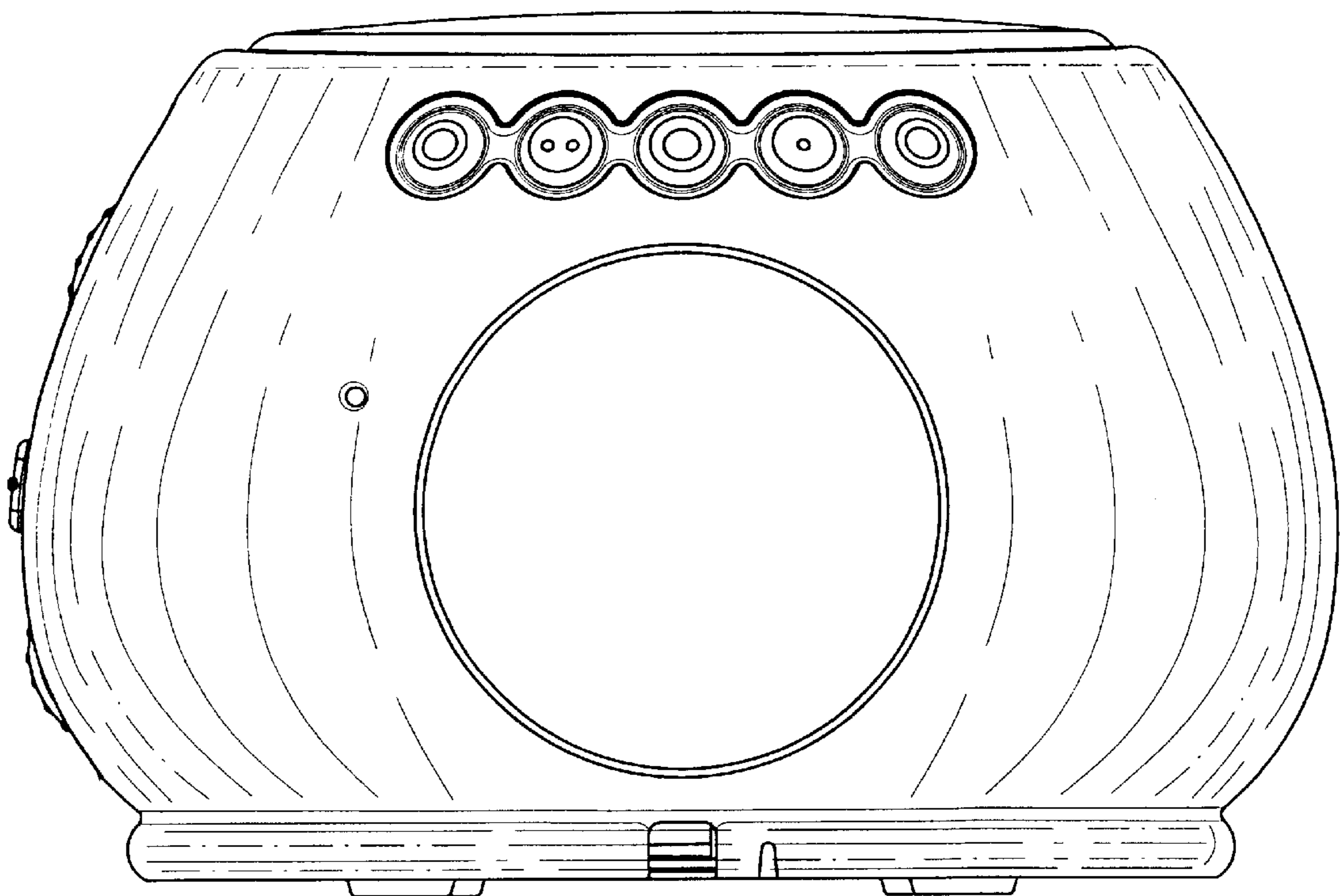


FIG. 3

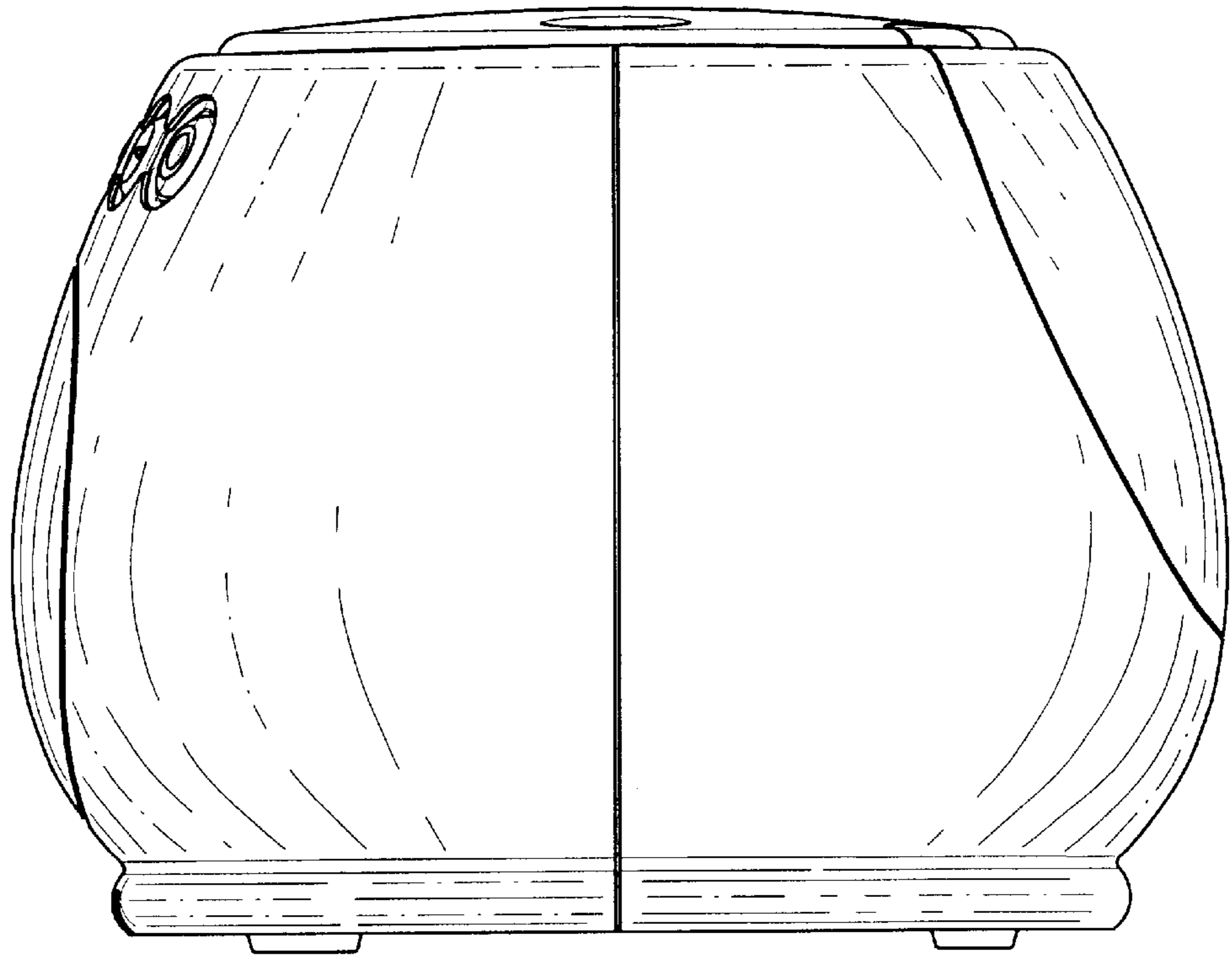


FIG. 4

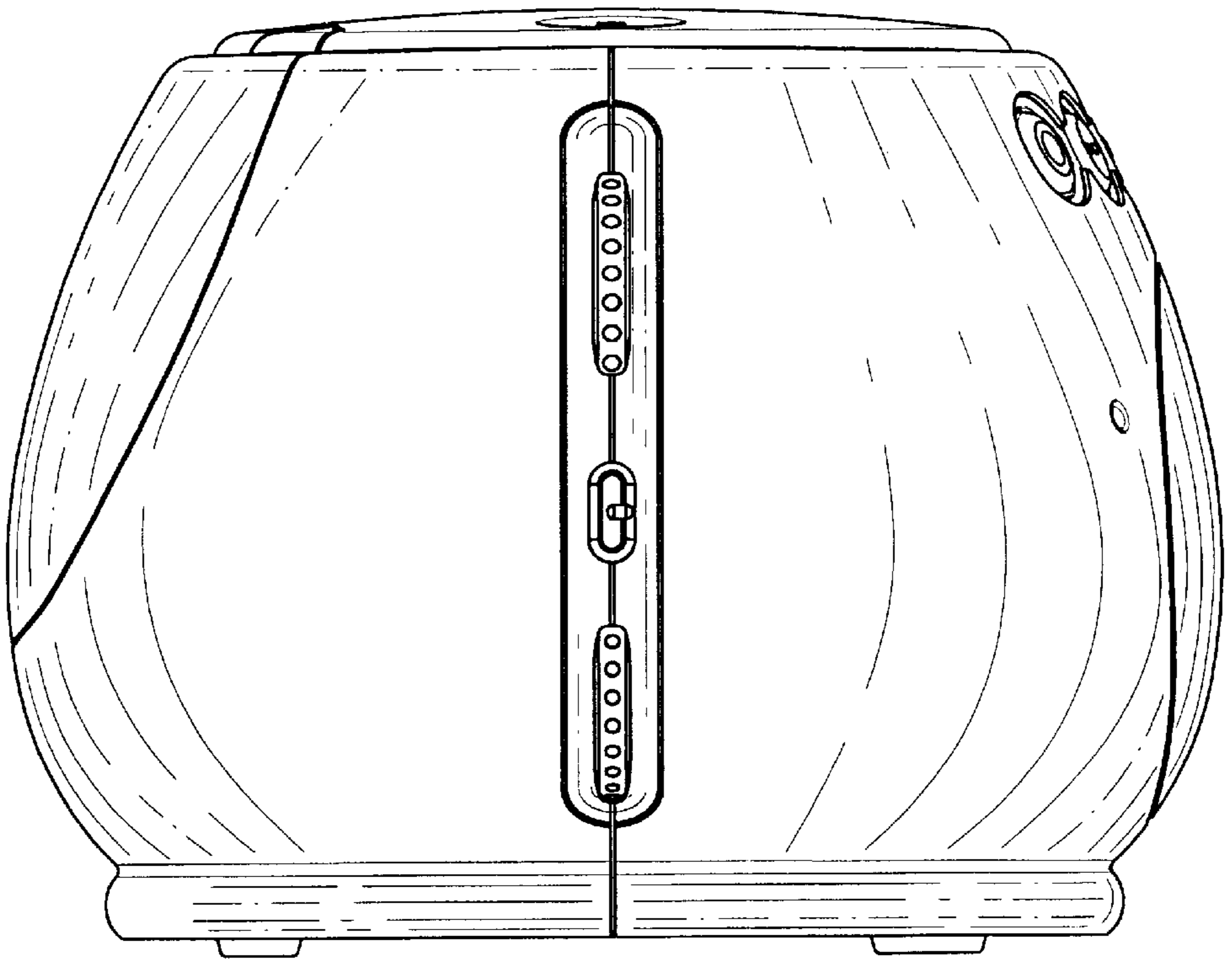


FIG. 5

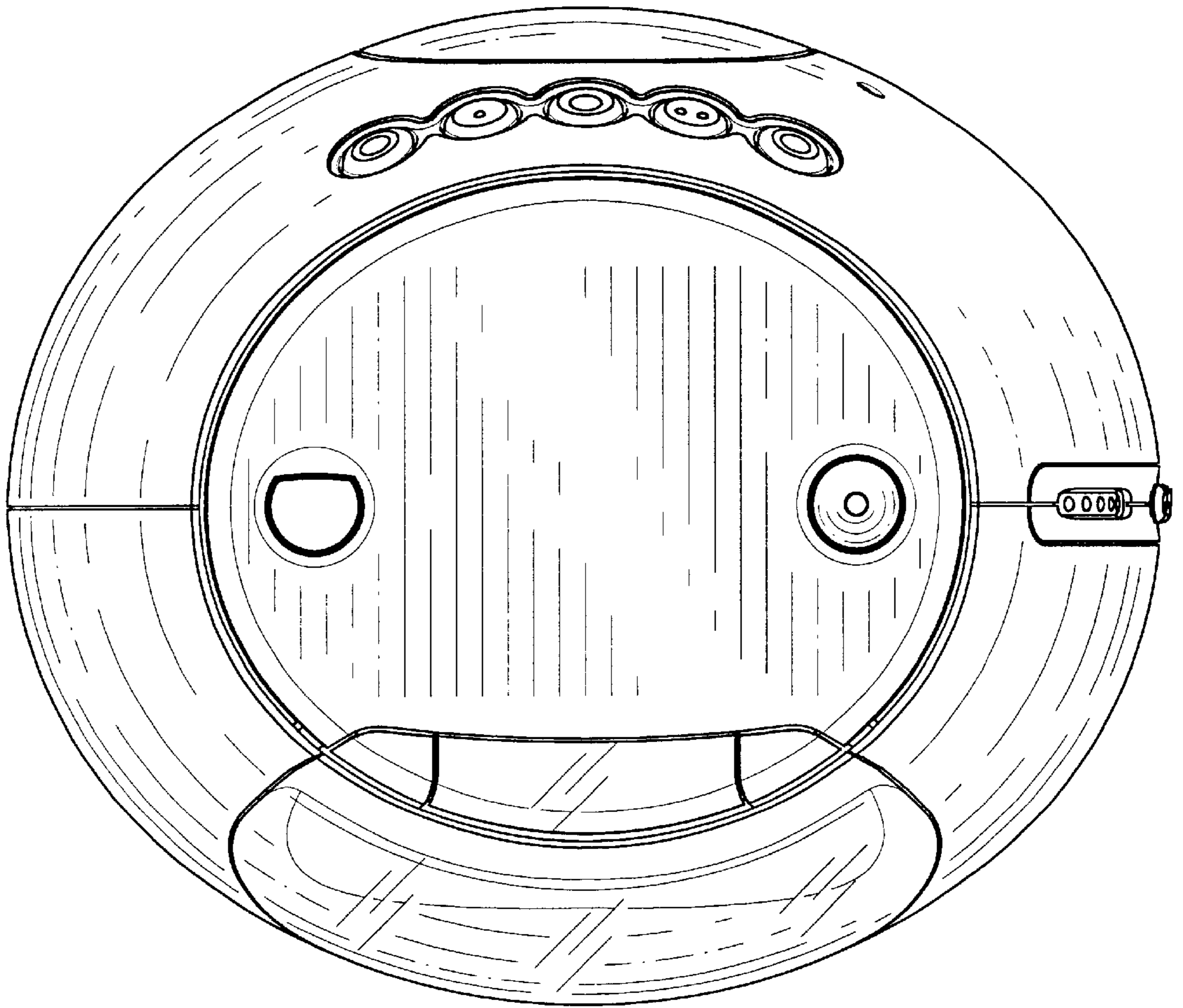


FIG. 6

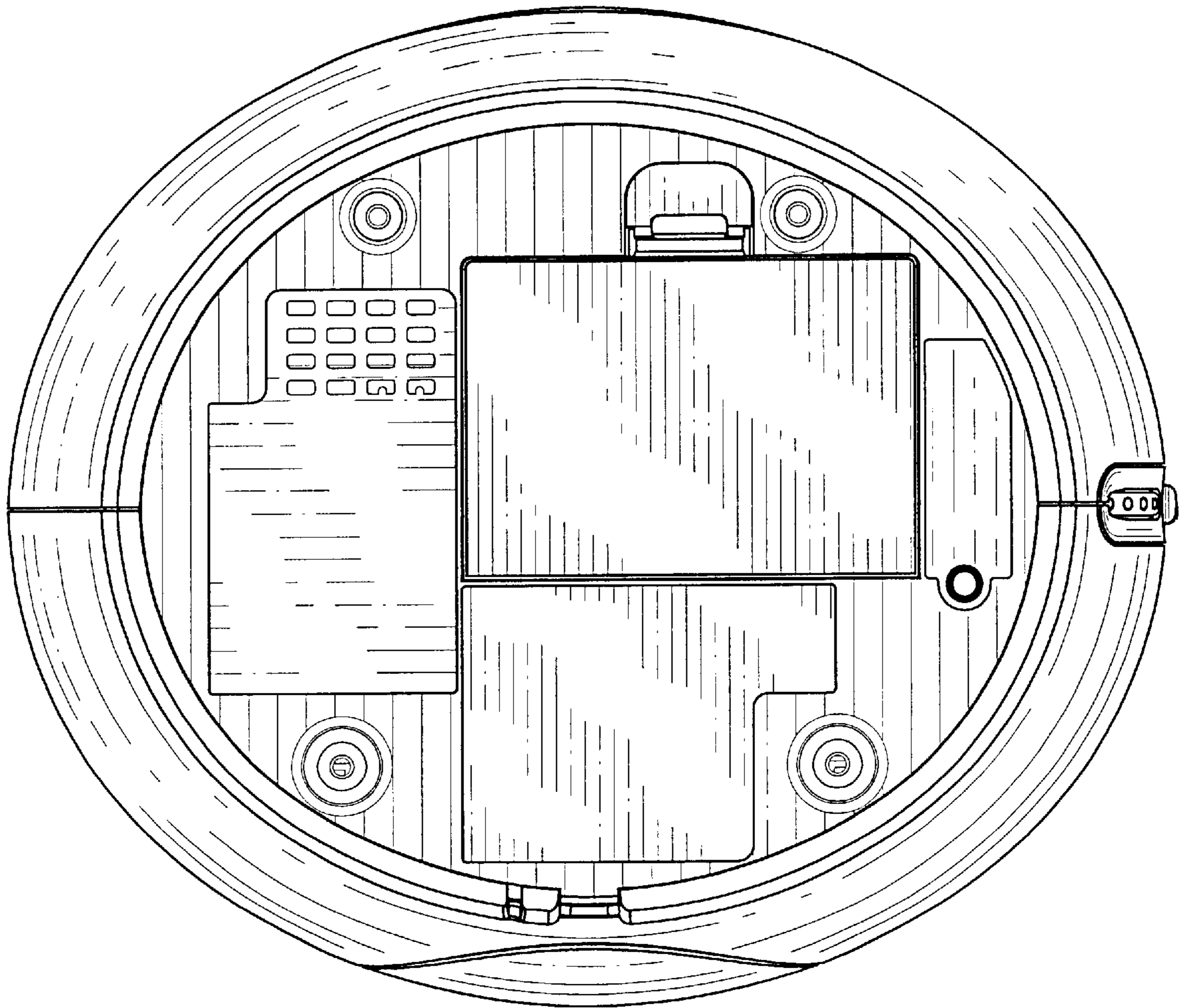


FIG. 7