



US00D465469S

(12) **United States Design Patent**
Heath

(10) **Patent No.:** **US D465,469 S**

(45) **Date of Patent:** **** Nov. 12, 2002**

(54) **ELECTRONIC SOUND RECORDING AND REPRODUCING DEVICE FOR A BABY**

(75) **Inventor:** **Stephen Robert Heath**, Eindhoven (NL)

(73) **Assignee:** **Koninklijke Philips Electronics N.V.**, Eindhoven (NL)

(**) **Term:** **14 Years**

(21) **Appl. No.:** **29/150,520**

(22) **Filed:** **Nov. 6, 2001**

(30) **Foreign Application Priority Data**

May 29, 2001 (XH) DMA/005 325

(51) **LOC (7) Cl.** **14-01**

(52) **U.S. Cl.** **D14/167; D14/192; D14/159; D10/104**

(58) **Field of Search** D3/218; D10/104, D10/106, 116, 121; D14/159, 167-168, 192; D11/79-80; 340/345, 348-351, 354, 371-374, 571-573

(56) **References Cited**

U.S. PATENT DOCUMENTS

D370,339 S * 6/1996 Pinchuk D3/308

D376,765 S * 12/1996 Barnes D10/104
D392,202 S * 3/1998 Nitzberg D10/106
D402,987 S * 12/1998 Wicks D11/79
D417,452 S * 12/1999 Wu D14/192
D440,511 S * 4/2001 Heath D10/104
D446,511 S * 8/2001 Kanno et al. D14/167

* cited by examiner

Primary Examiner—Nanda Bondade

(74) *Attorney, Agent, or Firm*—Ernestine C. Bartlett

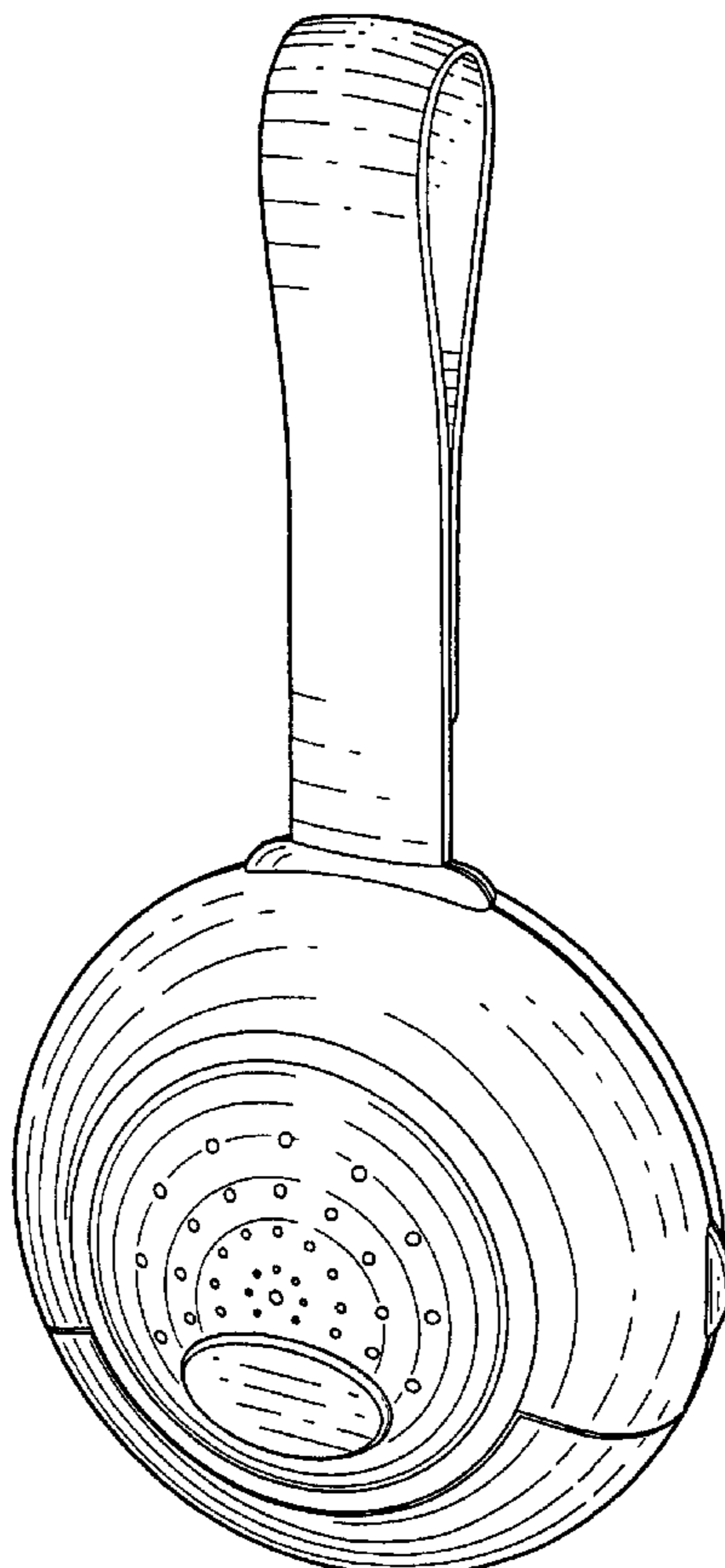
(57) **CLAIM**

The ornamental design for an electronic sound recording and reproducing device for a baby, as shown.

DESCRIPTION

FIG. 1 is a perspective view showing my design;
FIG. 2 is a front elevational view thereof;
FIG. 3 is a rear elevational view thereof;
FIG. 4 is a right side elevational view thereof;
FIG. 5 is a left side elevational view thereof;
FIG. 6 is a top plan view thereof; and,
FIG. 7 is a bottom plan view thereof.

1 Claim, 4 Drawing Sheets



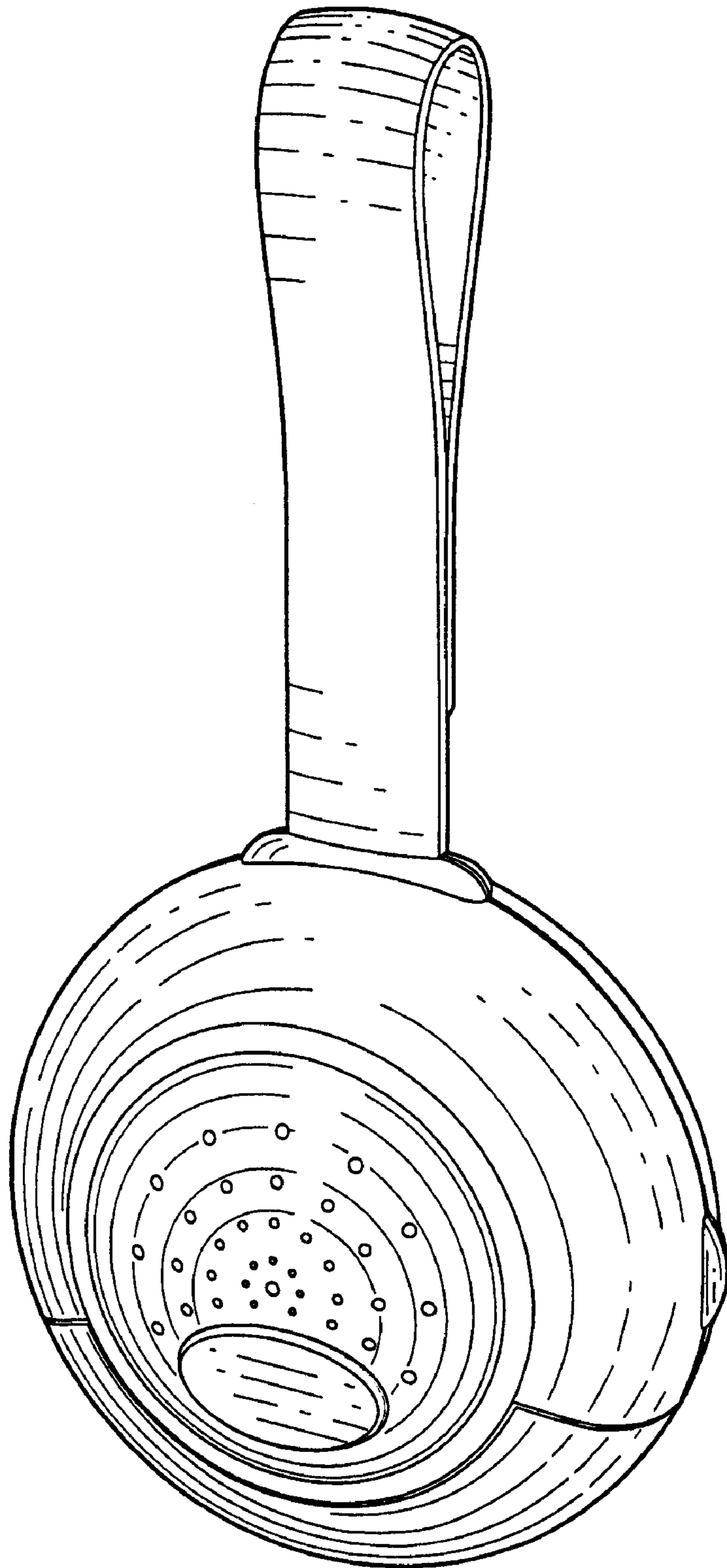


FIG. 1

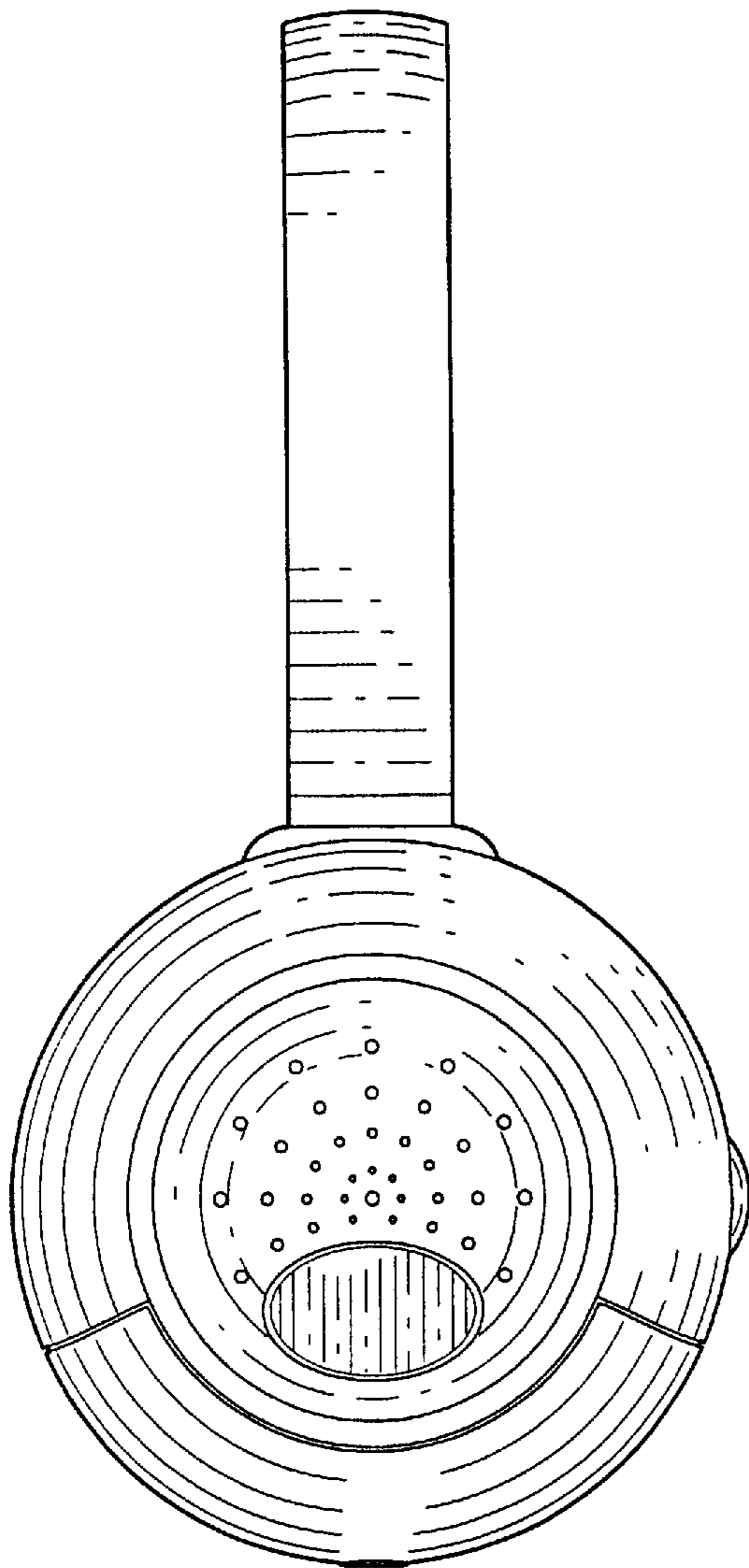


FIG. 2

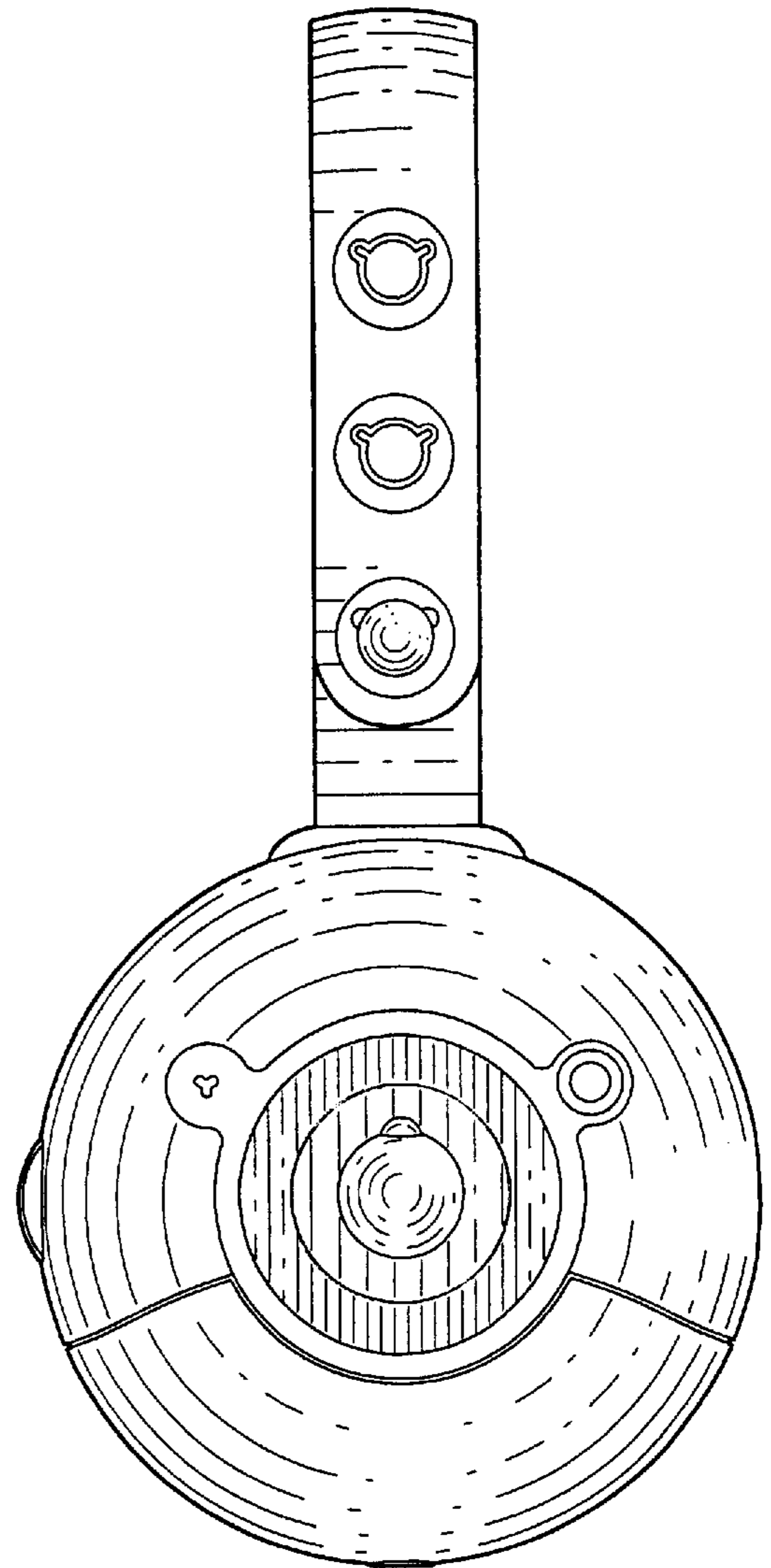


FIG. 3

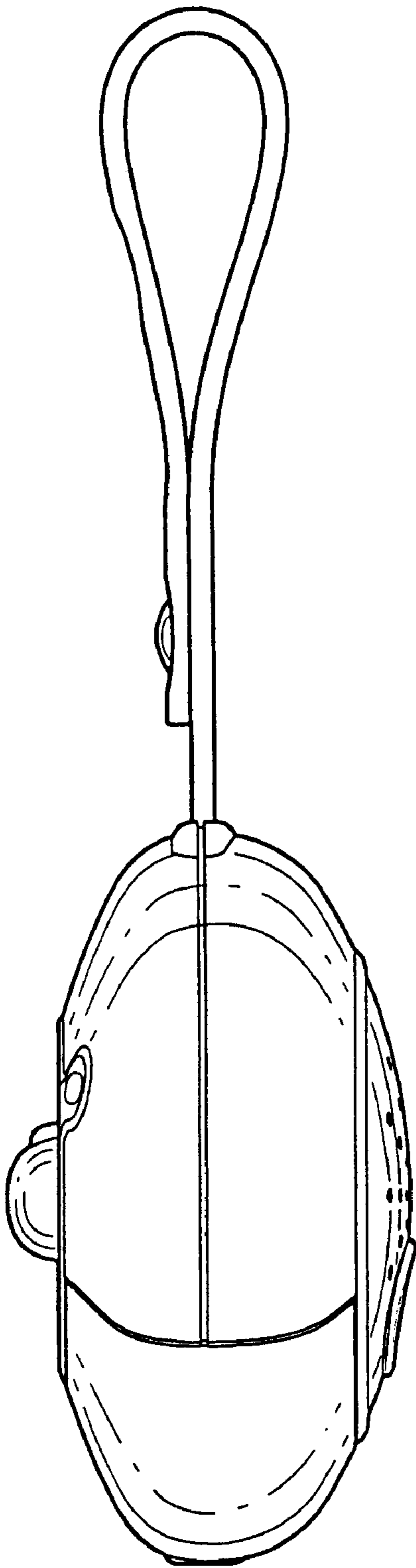


FIG. 4

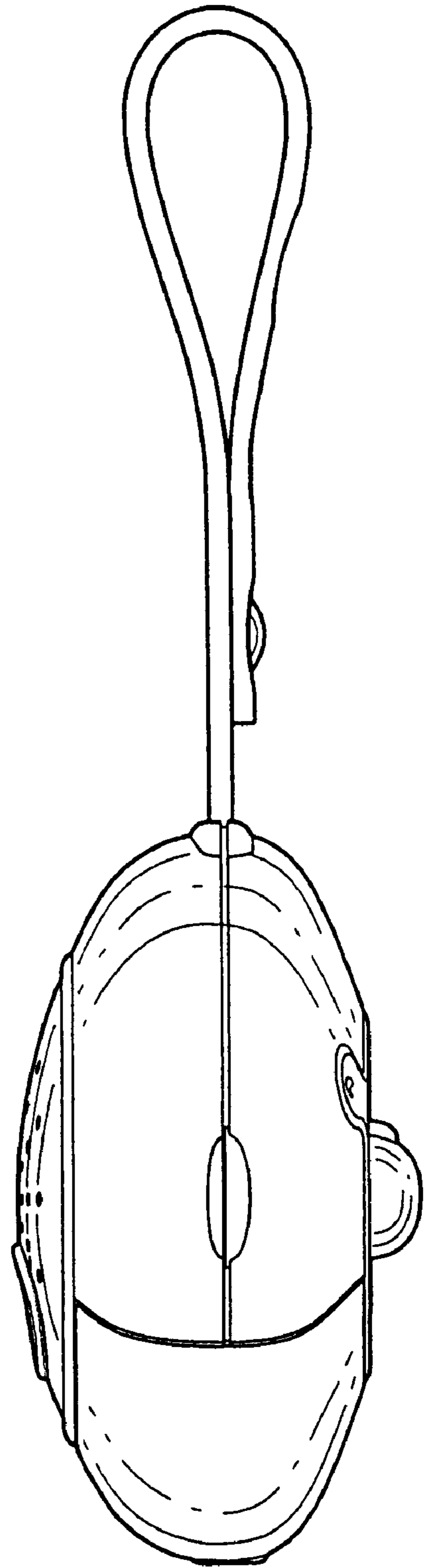


FIG. 5

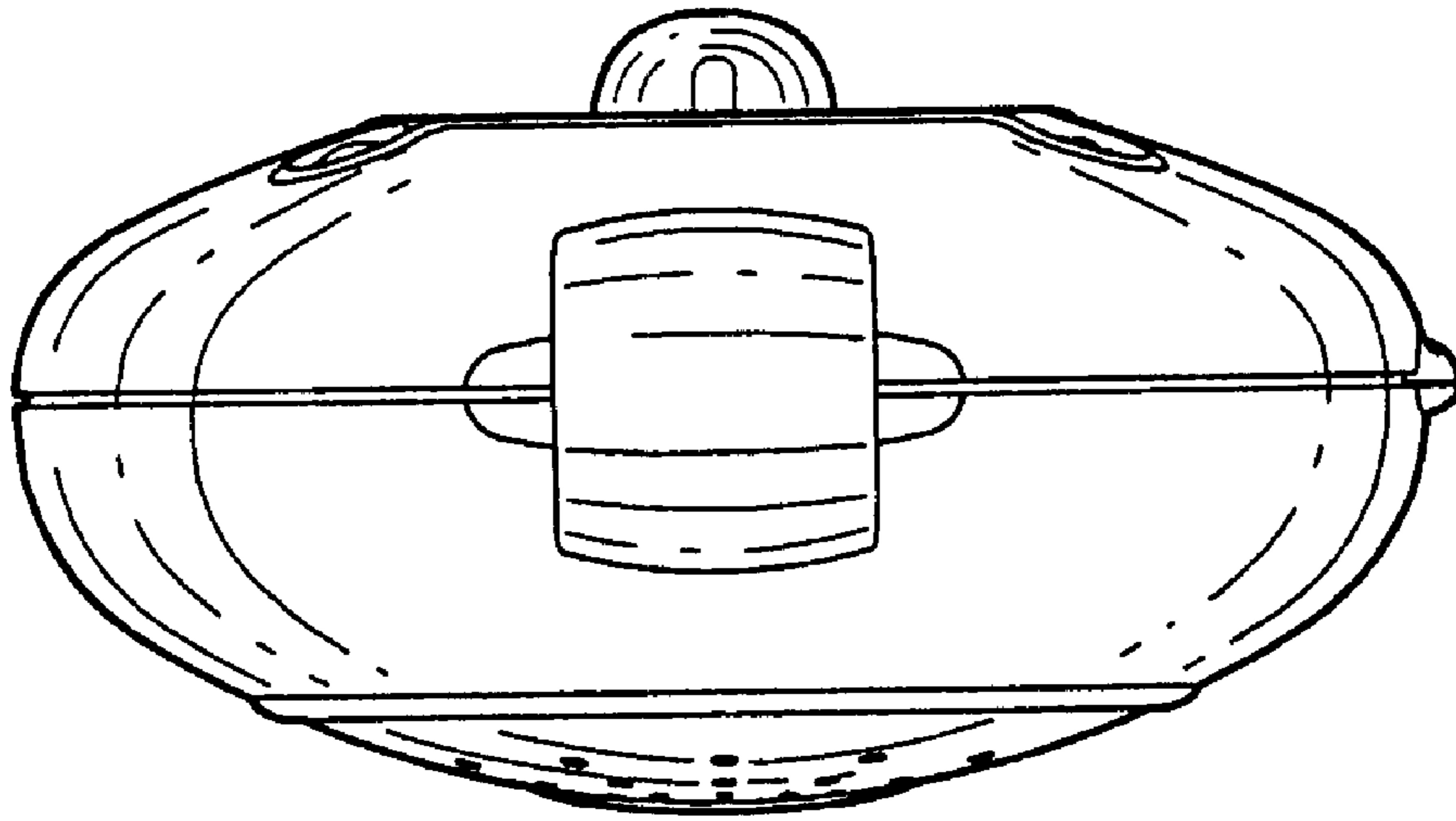


FIG. 6

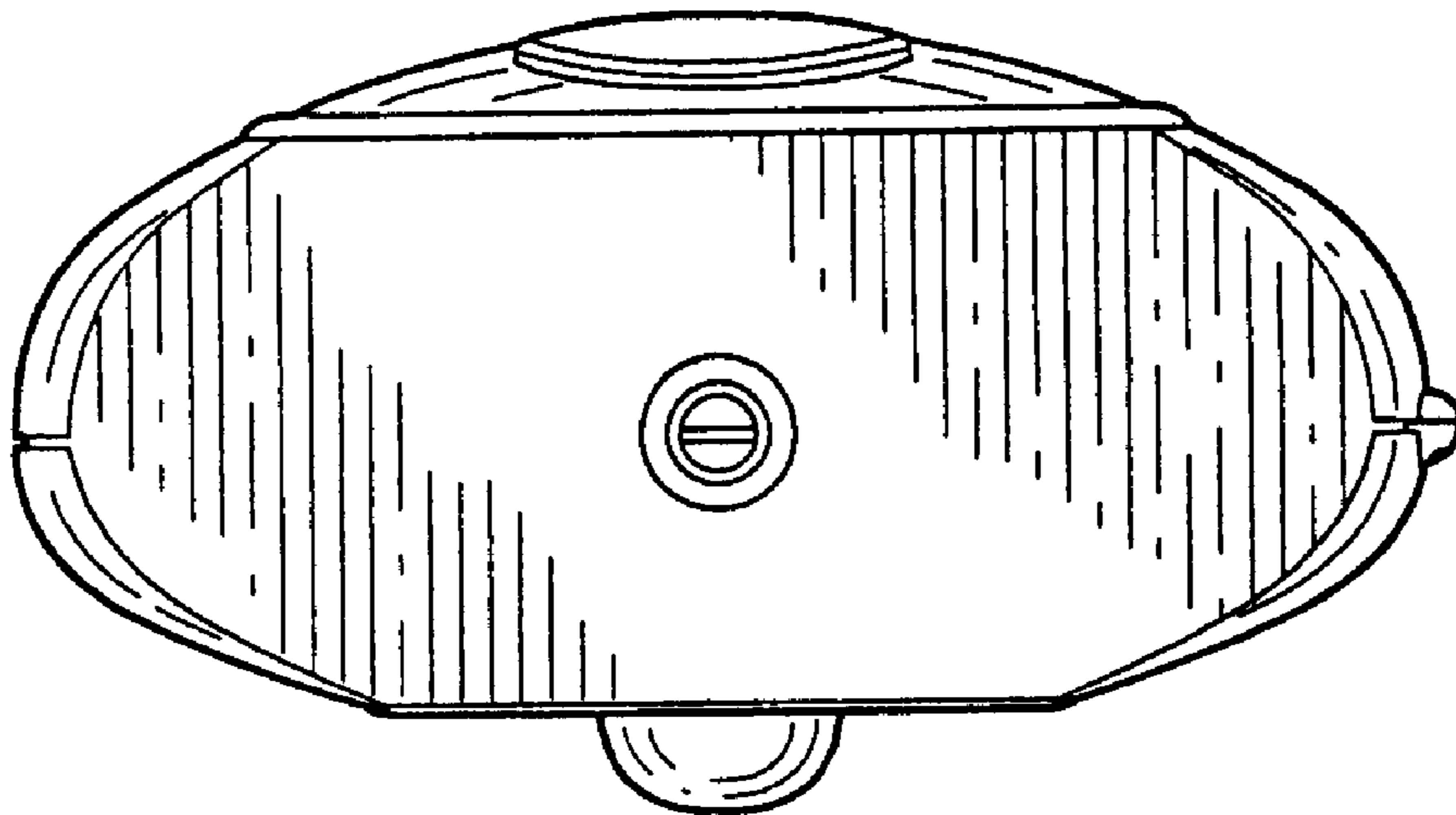


FIG. 7