



US00D465468S

(12) **United States Design Patent**
Kanno

(10) **Patent No.:** **US D465,468 S**

(45) **Date of Patent:** **** Nov. 12, 2002**

(54) **RECORDING DEVICE**

(75) Inventor: **Ryuta Kanno**, Tokyo (JP)

(73) Assignee: **Sony Corporation**, Tokyo (JP)

(**) Term: **14 Years**

(21) Appl. No.: **29/142,480**

(22) Filed: **May 29, 2001**

(51) **LOC (7) Cl.** **14-01**

(52) **U.S. Cl.** **D14/167**

(58) **Field of Search** D9/434-435, 447;
D14/160-165, 167-168, 188, 193-198,
217, 229; 455/344-345, 347, 350-351

(56) **References Cited**

U.S. PATENT DOCUMENTS

D370,484 S	*	6/1996	Williamson et al.	D14/160
D379,456 S	*	5/1997	Osiecki	D14/167
D382,307 S	*	8/1997	Sharpe, III et al.	D14/188
D409,193 S	*	5/1999	Mott et al.	D14/160
D413,889 S	*	9/1999	Nakano	D14/167

* cited by examiner

Primary Examiner—Nanda Bondade

(74) *Attorney, Agent, or Firm*—Rader, Fishman & Grauer PLLC

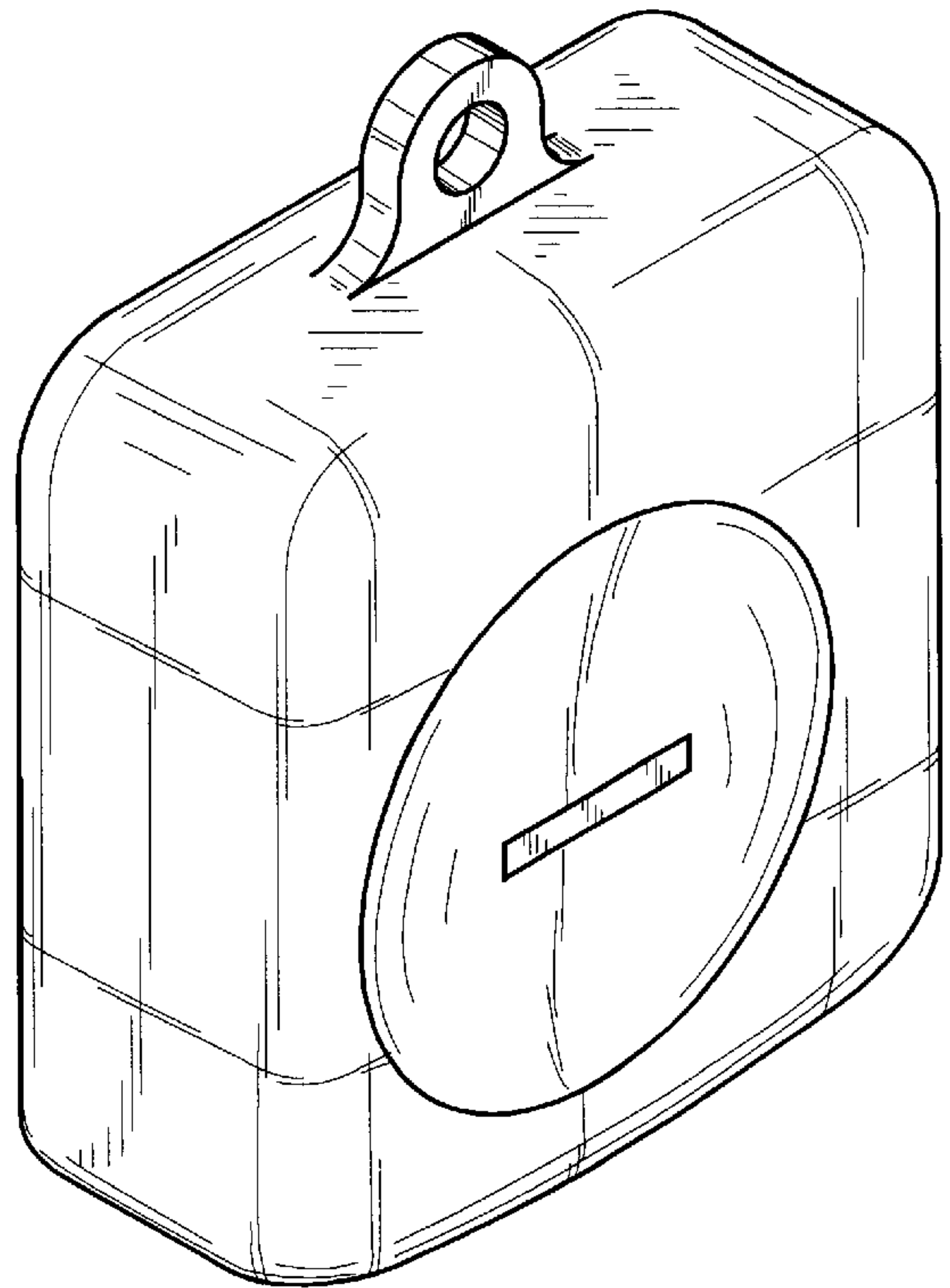
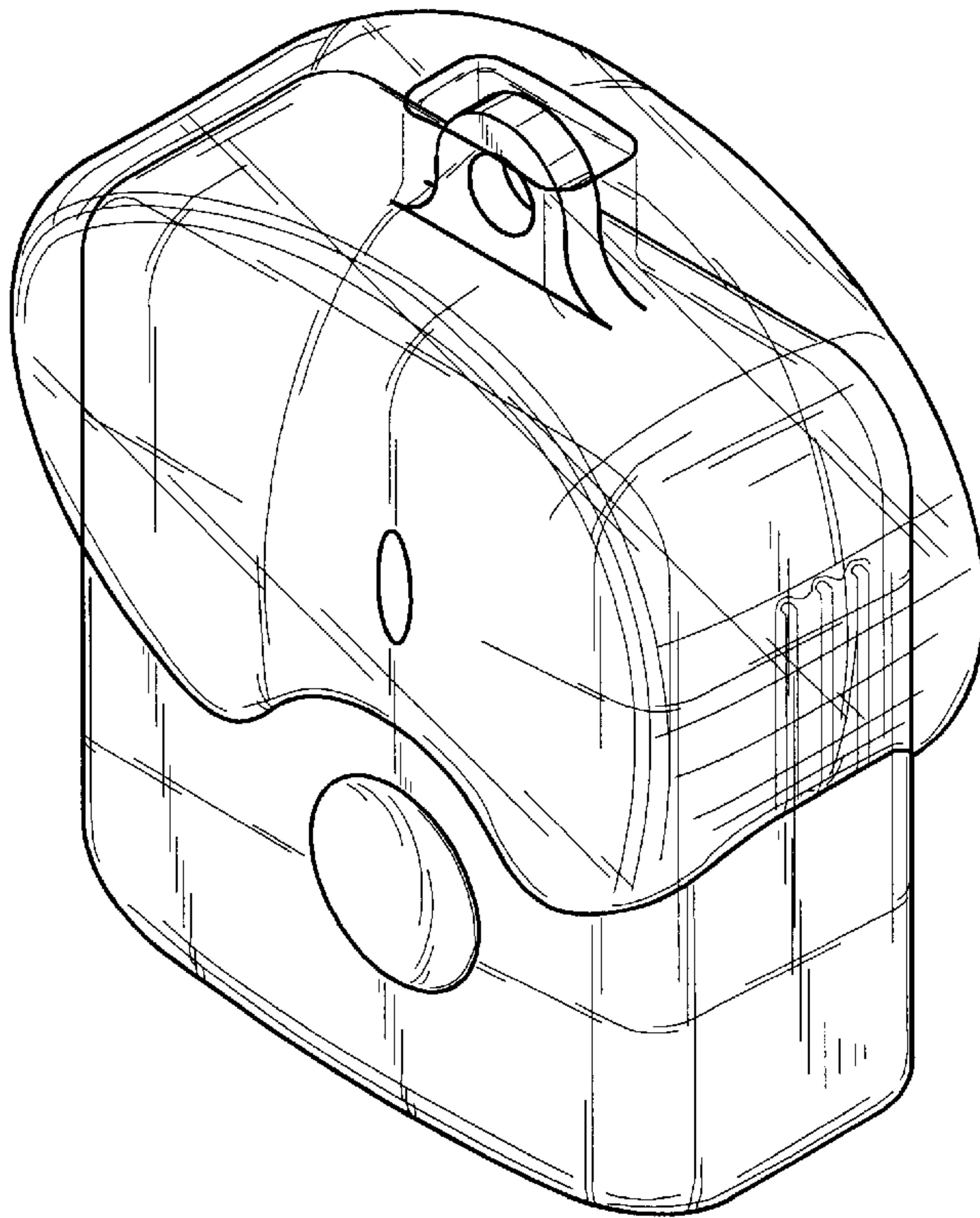
(57) **CLAIM**

The ornamental design for a recording device, as shown and described.

DESCRIPTION

FIG. 1 is a front perspective view of a recording device showing my new design;
 FIG. 2 is a front elevational view thereof;
 FIG. 3 is a rear elevational view thereof;
 FIG. 4 is a left side elevational view thereof;
 FIG. 5 is a right side elevational view thereof;
 FIG. 6 is a top plan view thereof; and
 FIG. 7 is a bottom plan view thereof.
 FIG. 8 is a front perspective view thereof without the cap, shown separately for clarity of illustration;
 FIG. 9 is a rear perspective view thereof;
 FIG. 10 is a front elevational view thereof;
 FIG. 11 is a rear elevational view thereof;
 FIG. 12 is a left side elevational view thereof;
 FIG. 13 is a right side elevational view thereof;
 FIG. 14 is a top plan view thereof; and
 FIG. 15 is a bottom plan view thereof.

1 Claim, 9 Drawing Sheets



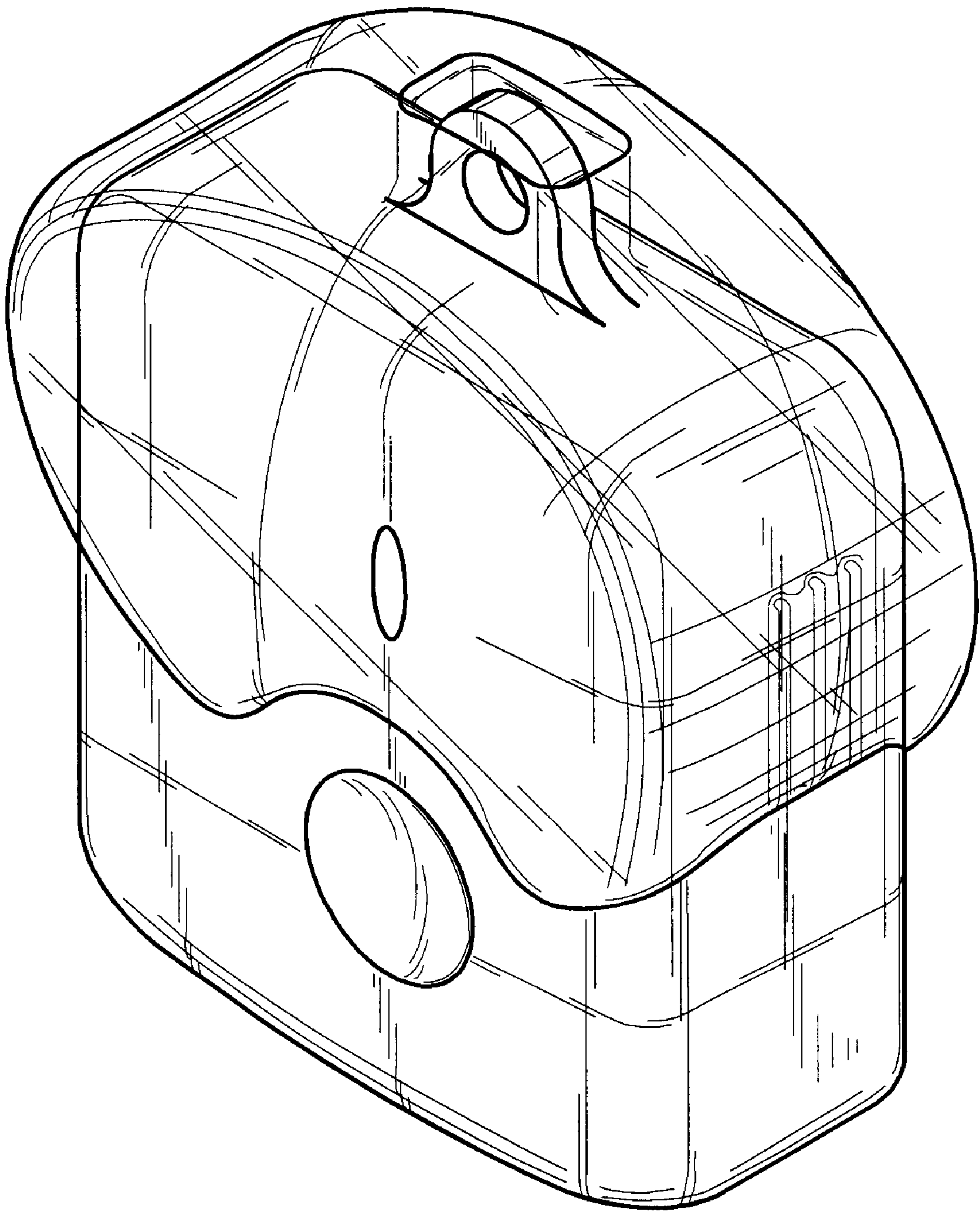


Fig. 1

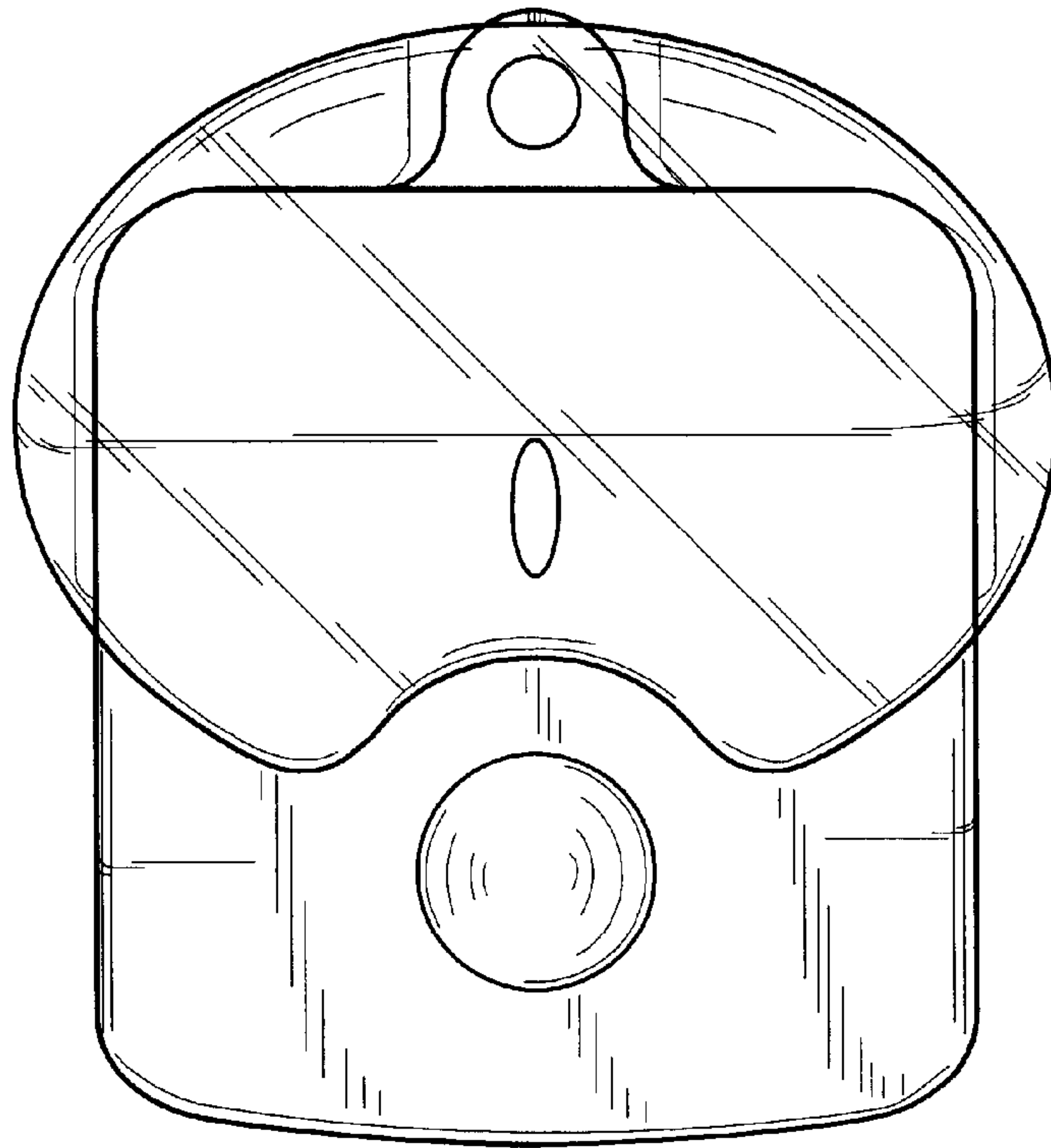


Fig. 2

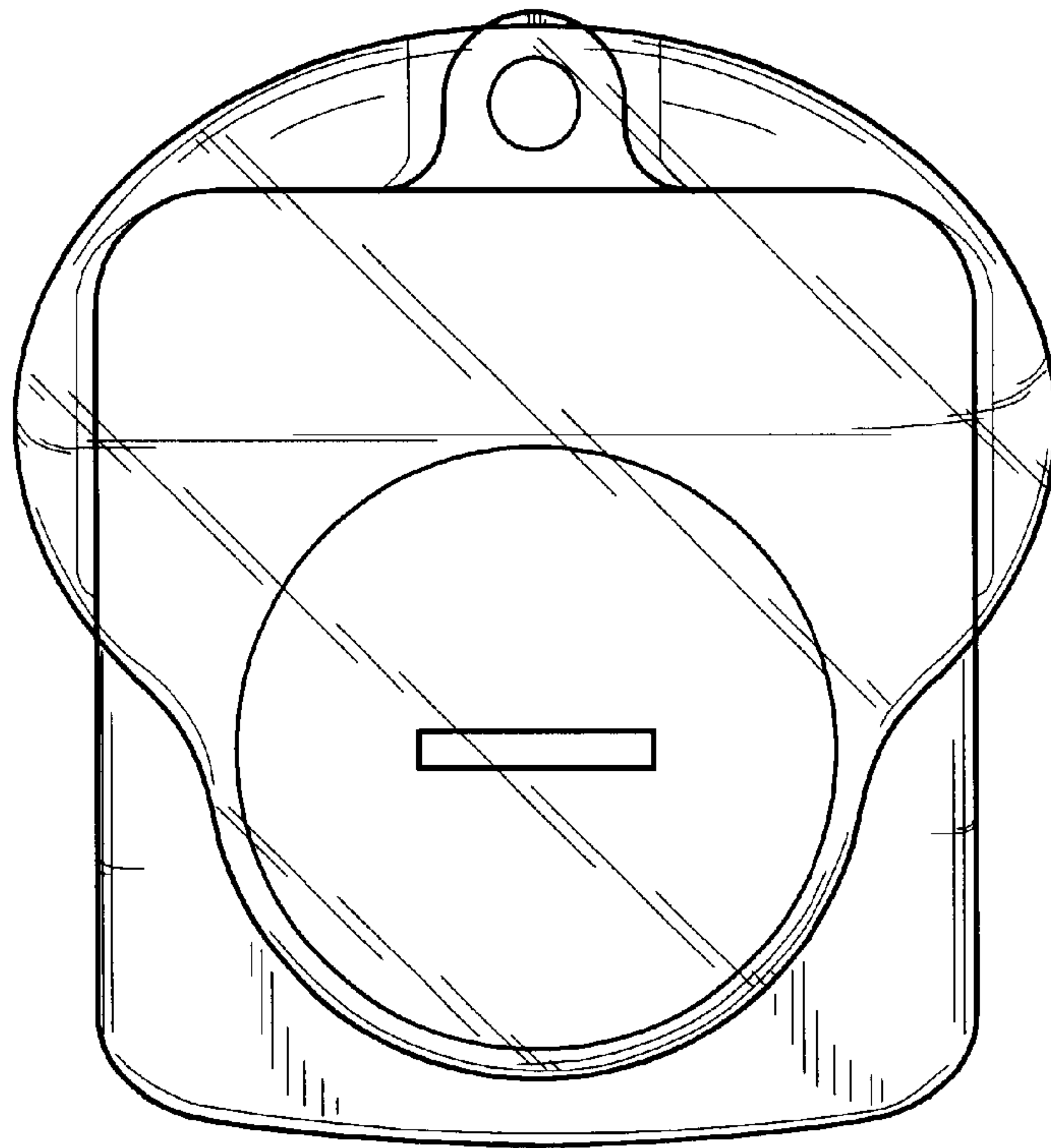


Fig. 3

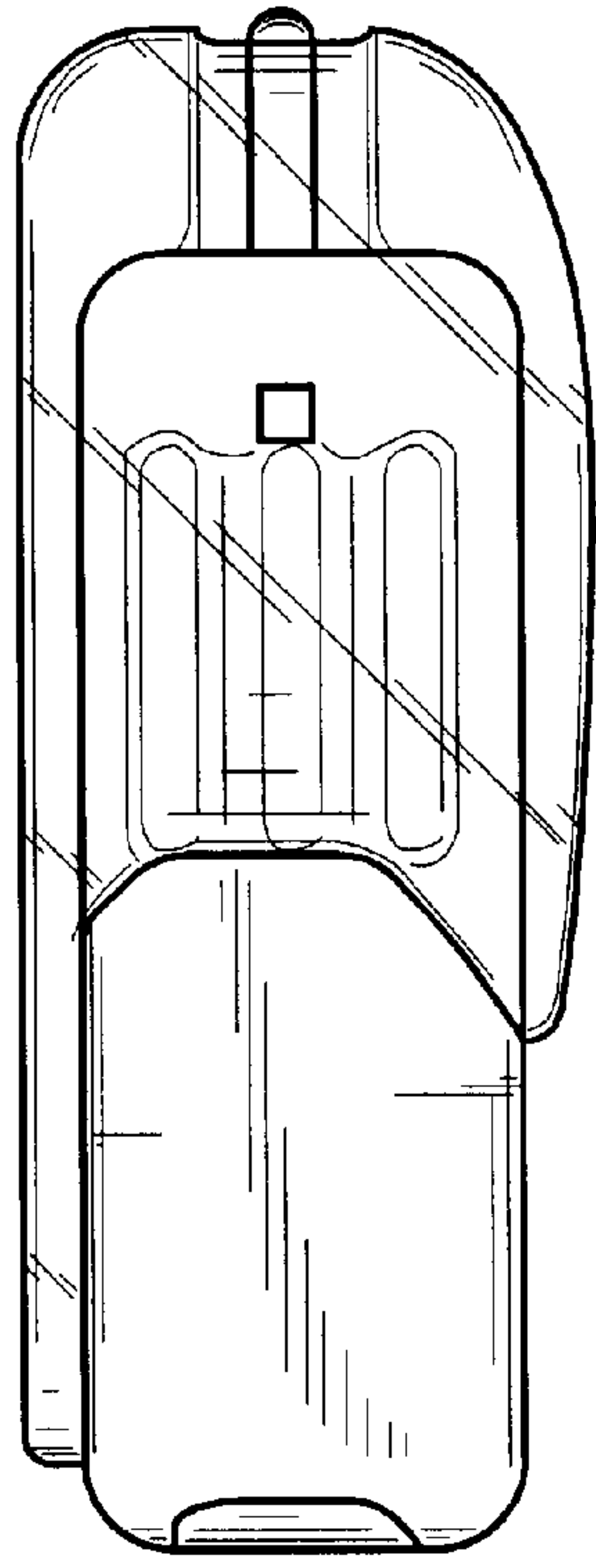


Fig. 4

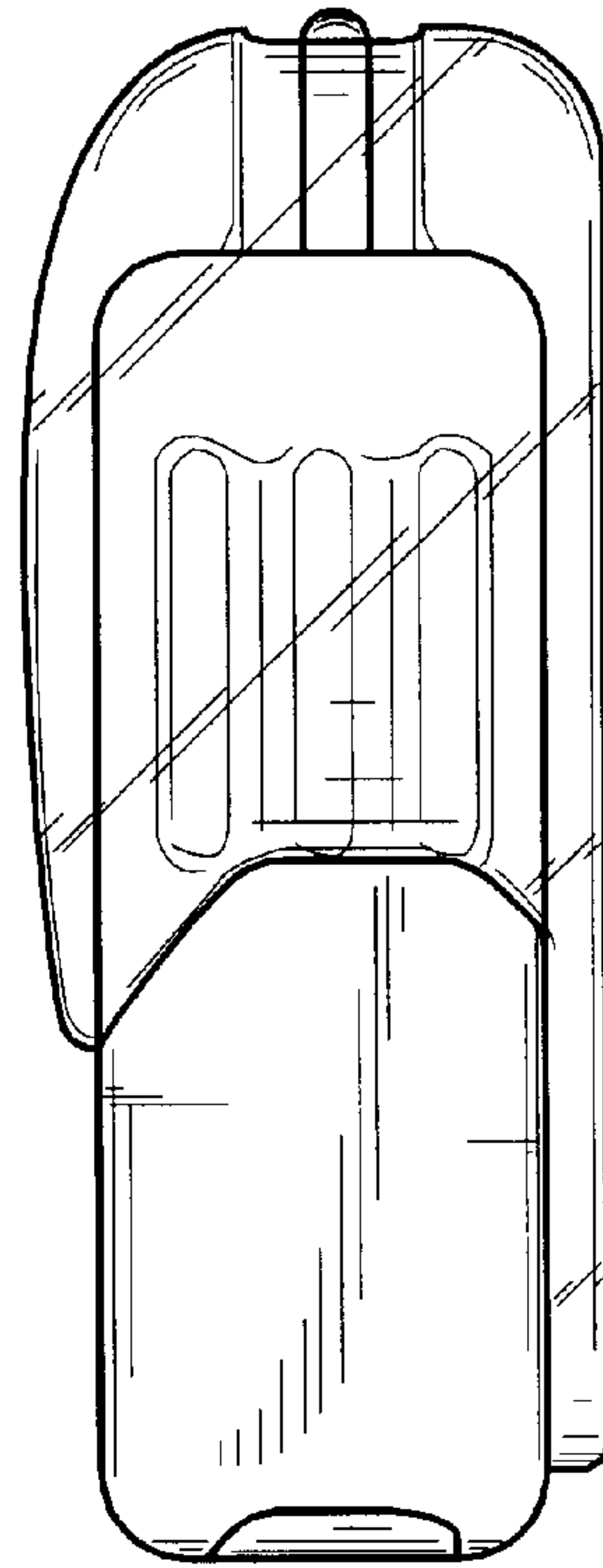


Fig. 5

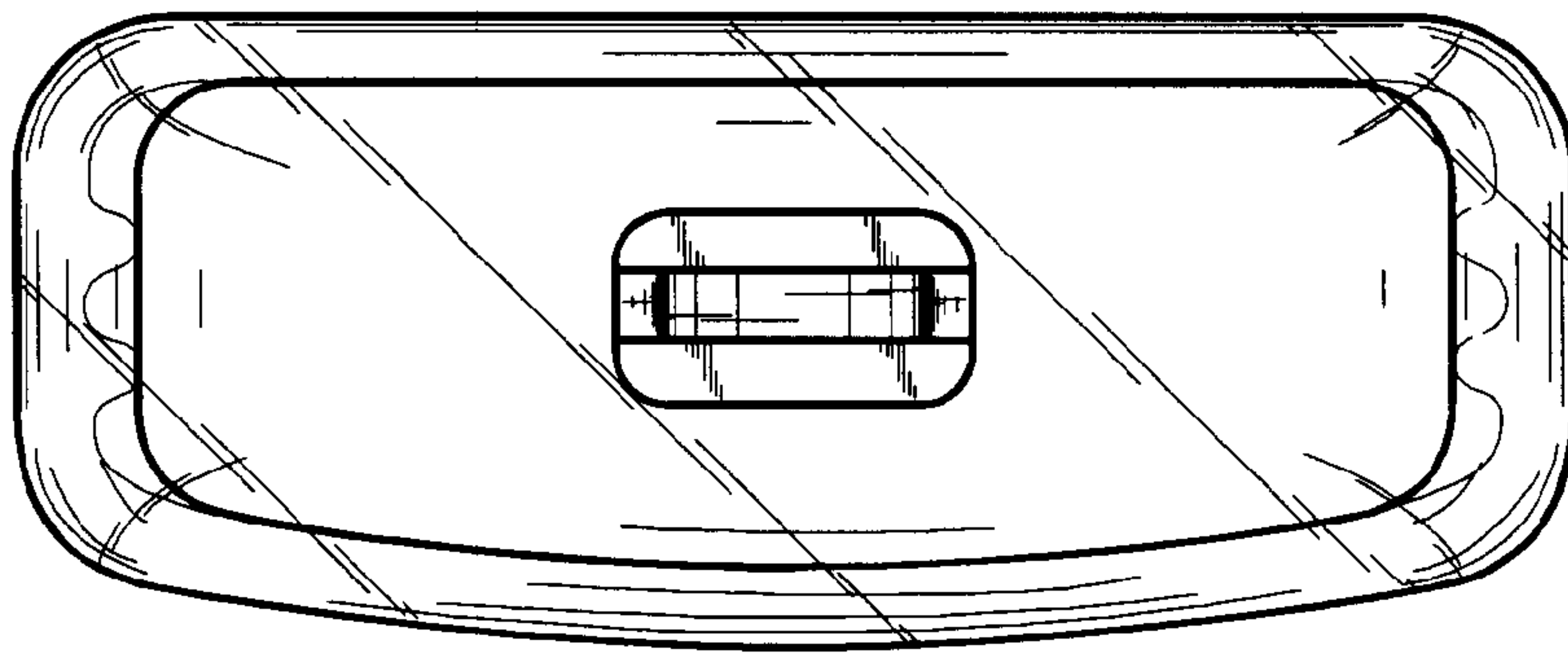


Fig. 6

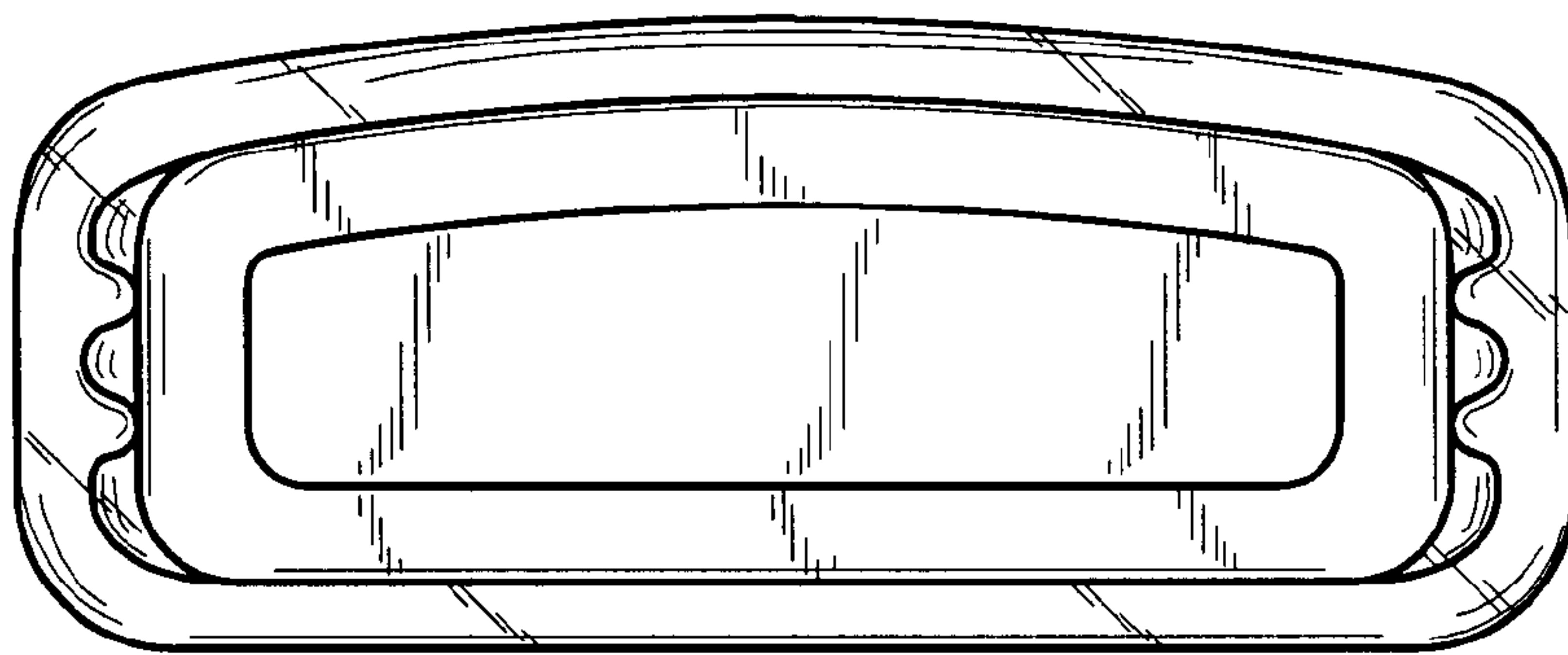


Fig. 7

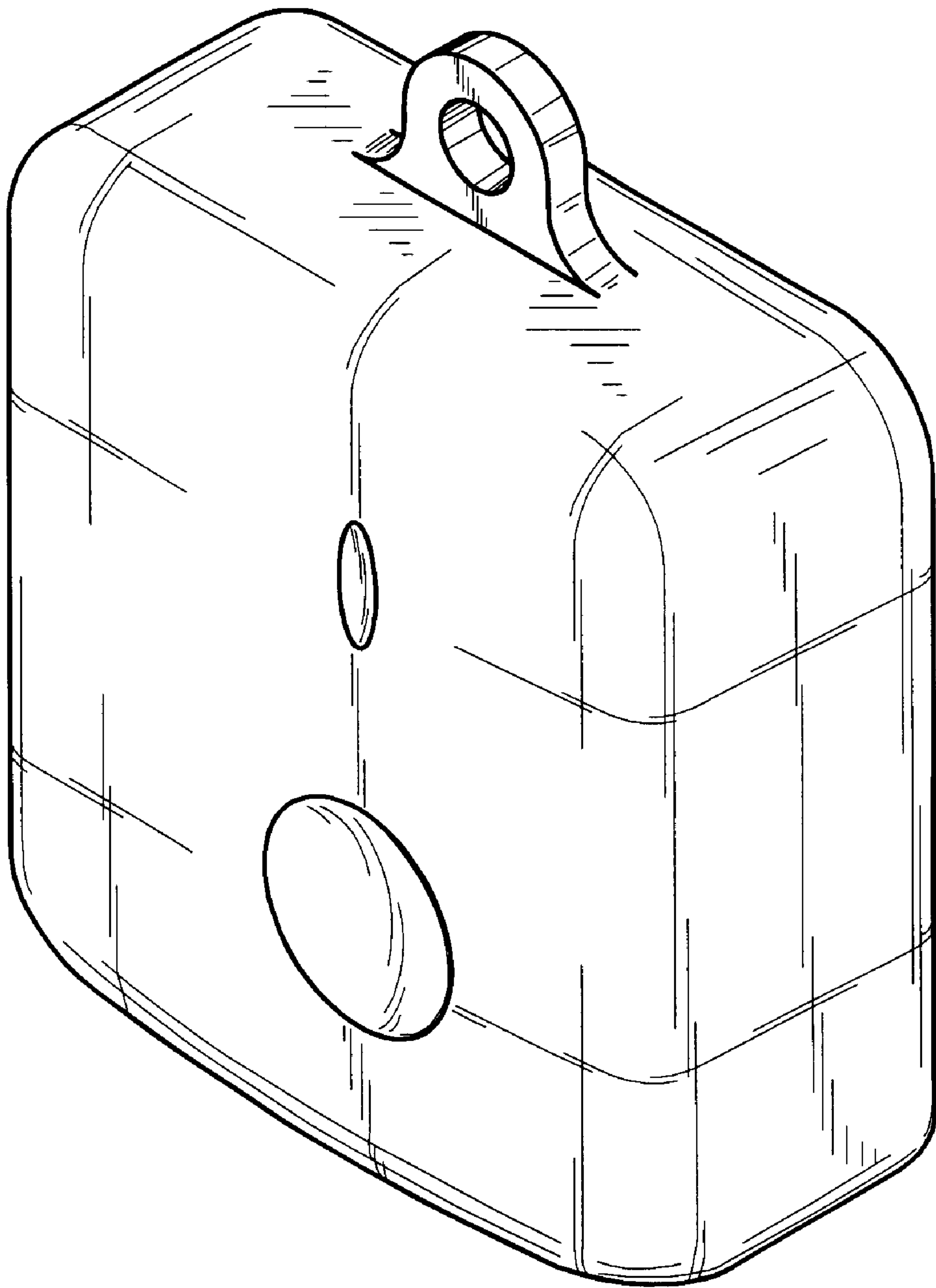


Fig. 8

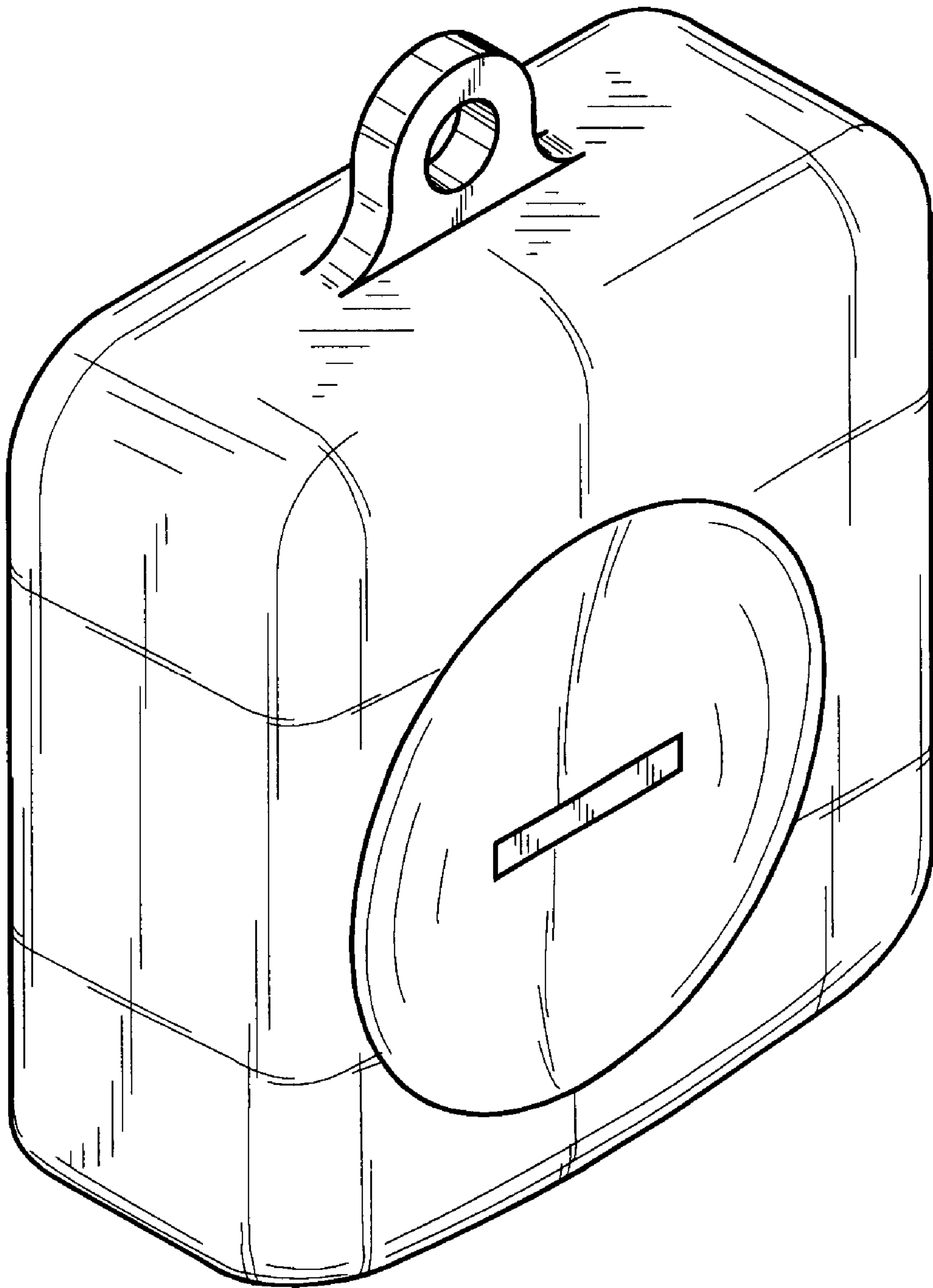


Fig. 9

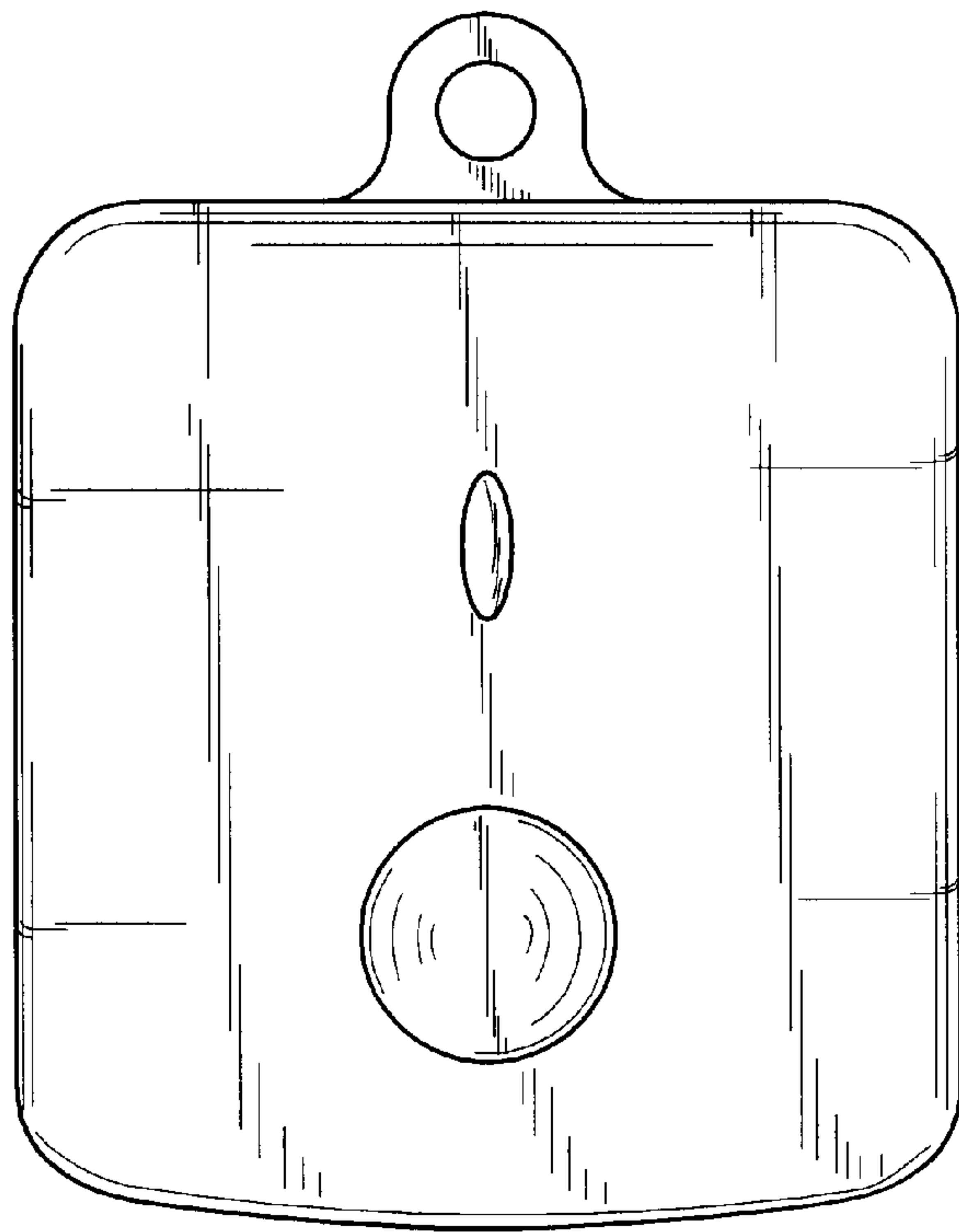


Fig. 10

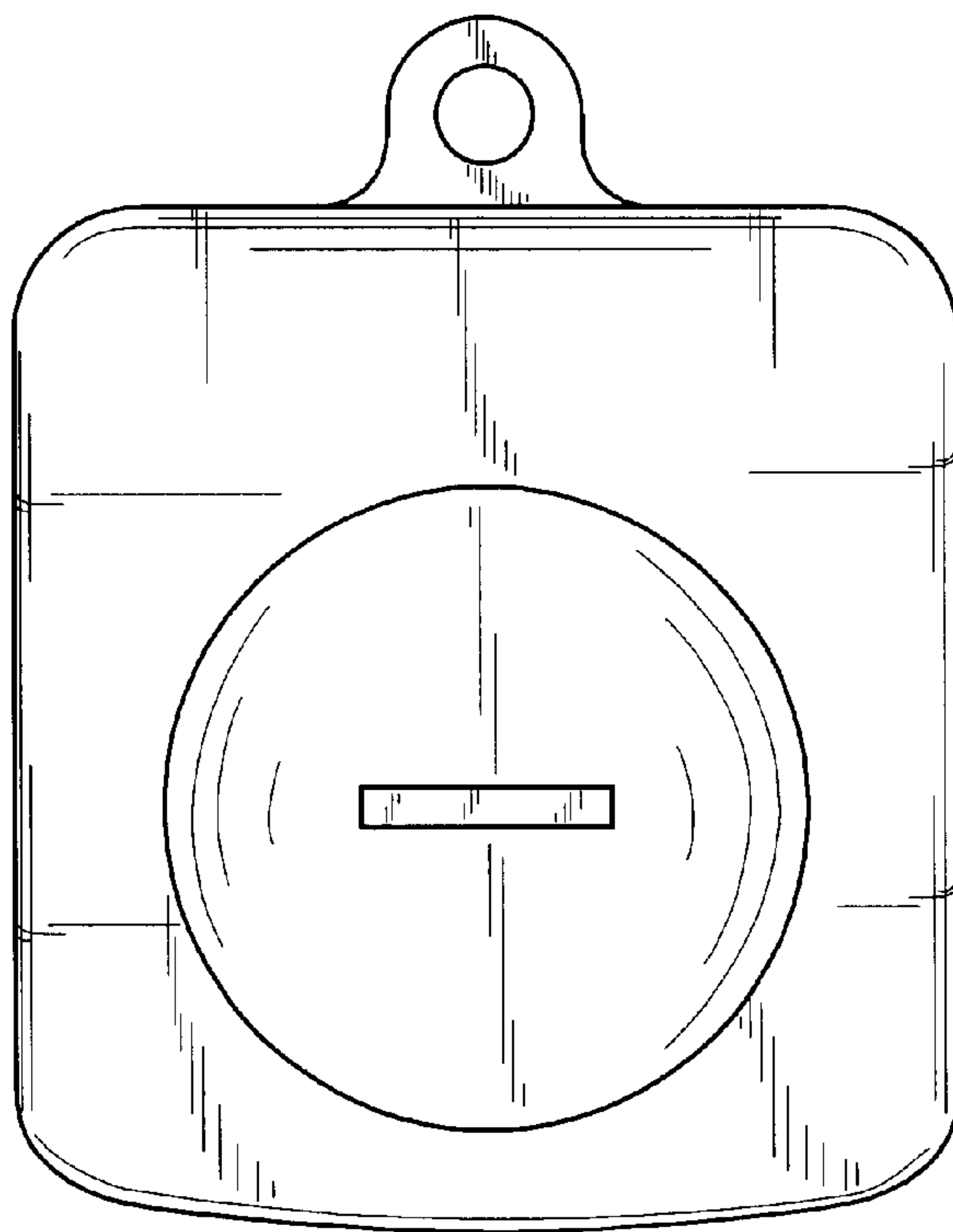


Fig. 11

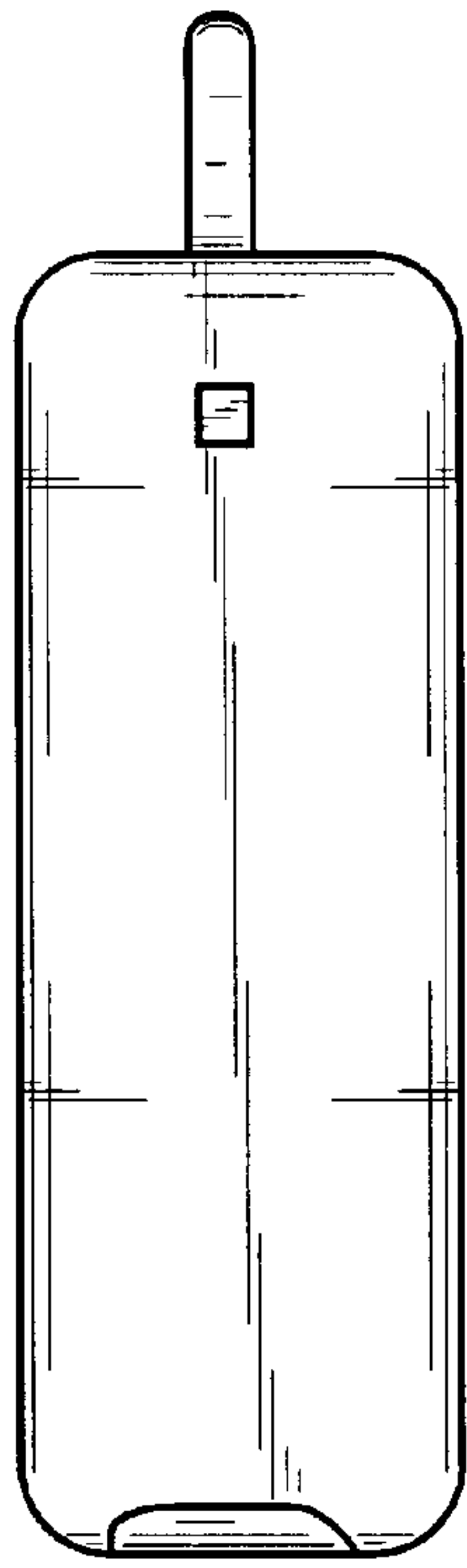


Fig. 12

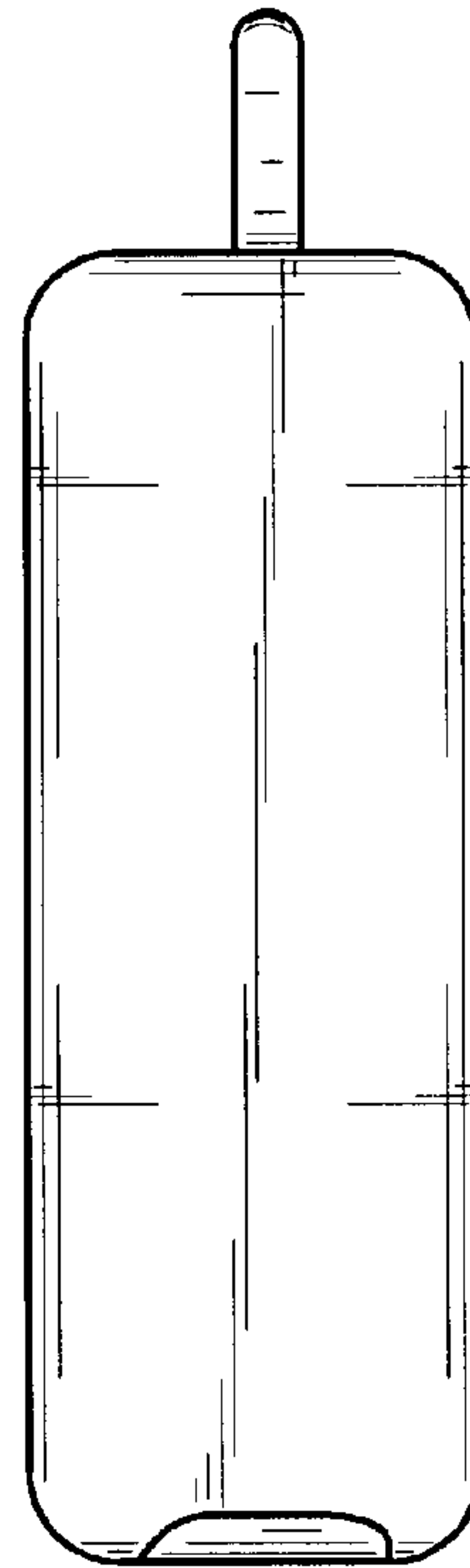


Fig. 13

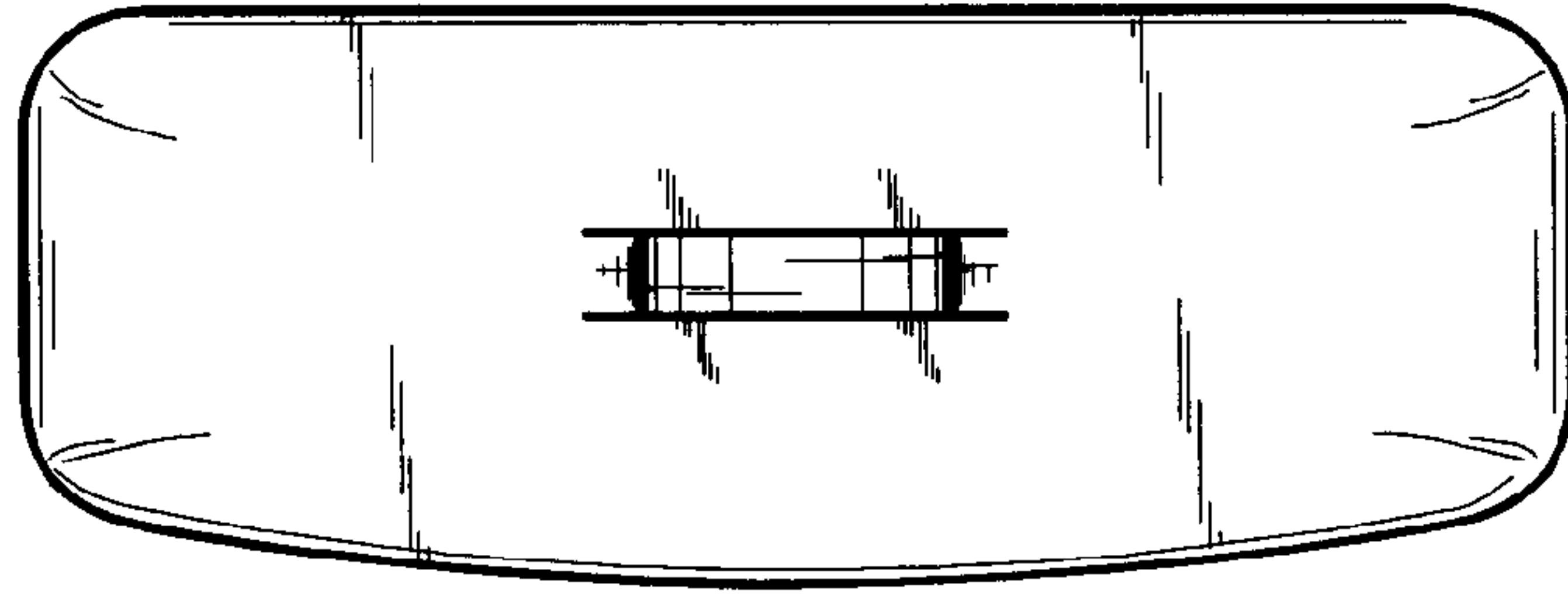


Fig. 14

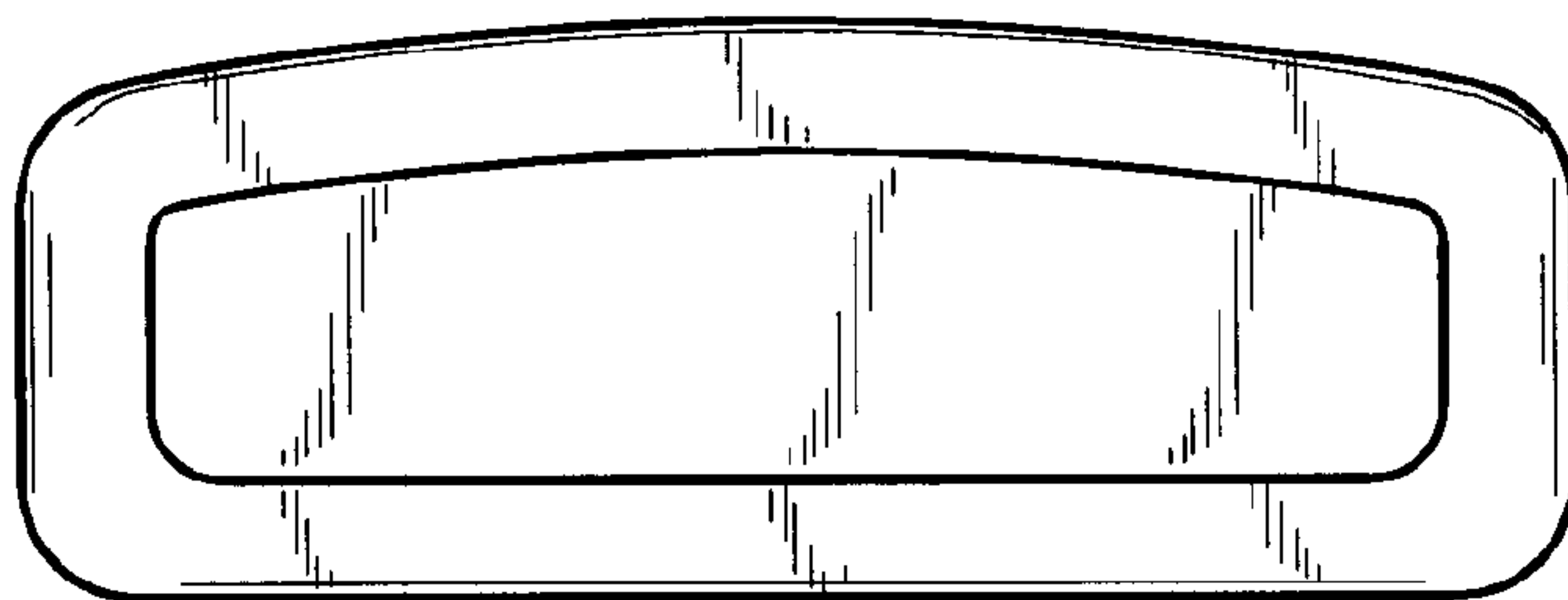


Fig. 15