



US00D465465S

(12) **United States Design Patent**  
**Chapman et al.**

(10) **Patent No.:** **US D465,465 S**

(45) **Date of Patent:** **\*\* Nov. 12, 2002**

(54) **ELECTRONICS ENCLOSURE**

(75) Inventors: **Michael Clifton Chapman, S.**  
**Hamilton, MA (US); Thomas David**  
**Fillio, Newton, NH (US); David**  
**Penny, Braintree, MA (US)**

(73) Assignee: **Snowshore Networks, Inc.,**  
**Chelmsford, MA (US)**

(\*\*) Term: **14 Years**

(21) Appl. No.: **29/155,749**

(22) Filed: **Feb. 15, 2002**

(51) **LOC (7) Cl.** ..... **13-03**

(52) **U.S. Cl.** ..... **D13/184**

(58) **Field of Search** ..... D10/75, 78, 80,  
D10/103; D14/240, 353, 354, 355; D13/184;  
73/431; 174/50, 51, 52.1; 206/702, 703,  
706, 707, 710, 713, 718, 719, 722; 361/600-678,  
679, 683, 685, 692, 709, 724, 730, 735,  
736, 752, 763, 728; 439/76.1

(56) **References Cited**

**U.S. PATENT DOCUMENTS**

4,002,955 A \* 1/1977 Eggert et al. .... 361/726  
D287,360 S \* 12/1986 Lehmann ..... D13/184  
D318,874 S \* 8/1991 Pushelberg et al. .... D14/240

D337,770 S \* 7/1993 Johnson ..... D14/240  
D347,624 S \* 6/1994 McCarthy et al. .... D13/184  
6,219,258 B1 \* 4/2001 Denzene et al. .... 361/816  
D441,729 S \* 5/2001 Fujikura et al. .... D13/184  
D442,923 S \* 5/2001 Raspotnig ..... D13/184  
6,359,789 B1 \* 3/2002 Imabayashi et al. .... 361/796

\* cited by examiner

*Primary Examiner*—Ted Shooman

*Assistant Examiner*—Selina Sikder

(74) *Attorney, Agent, or Firm*—Weingarten, Schurgin,  
Gagnebin & Lebovici LLP

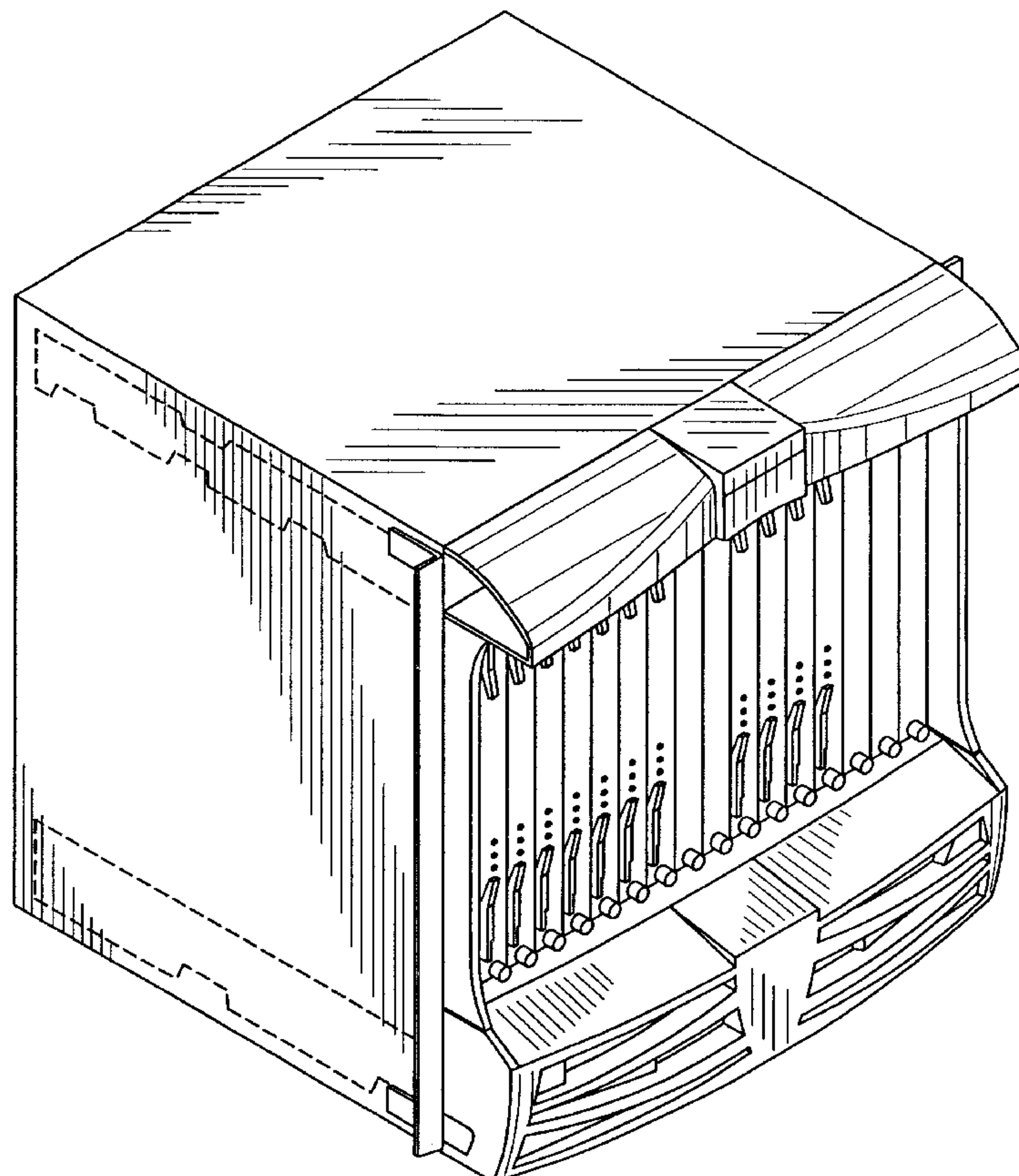
(57) **CLAIM**

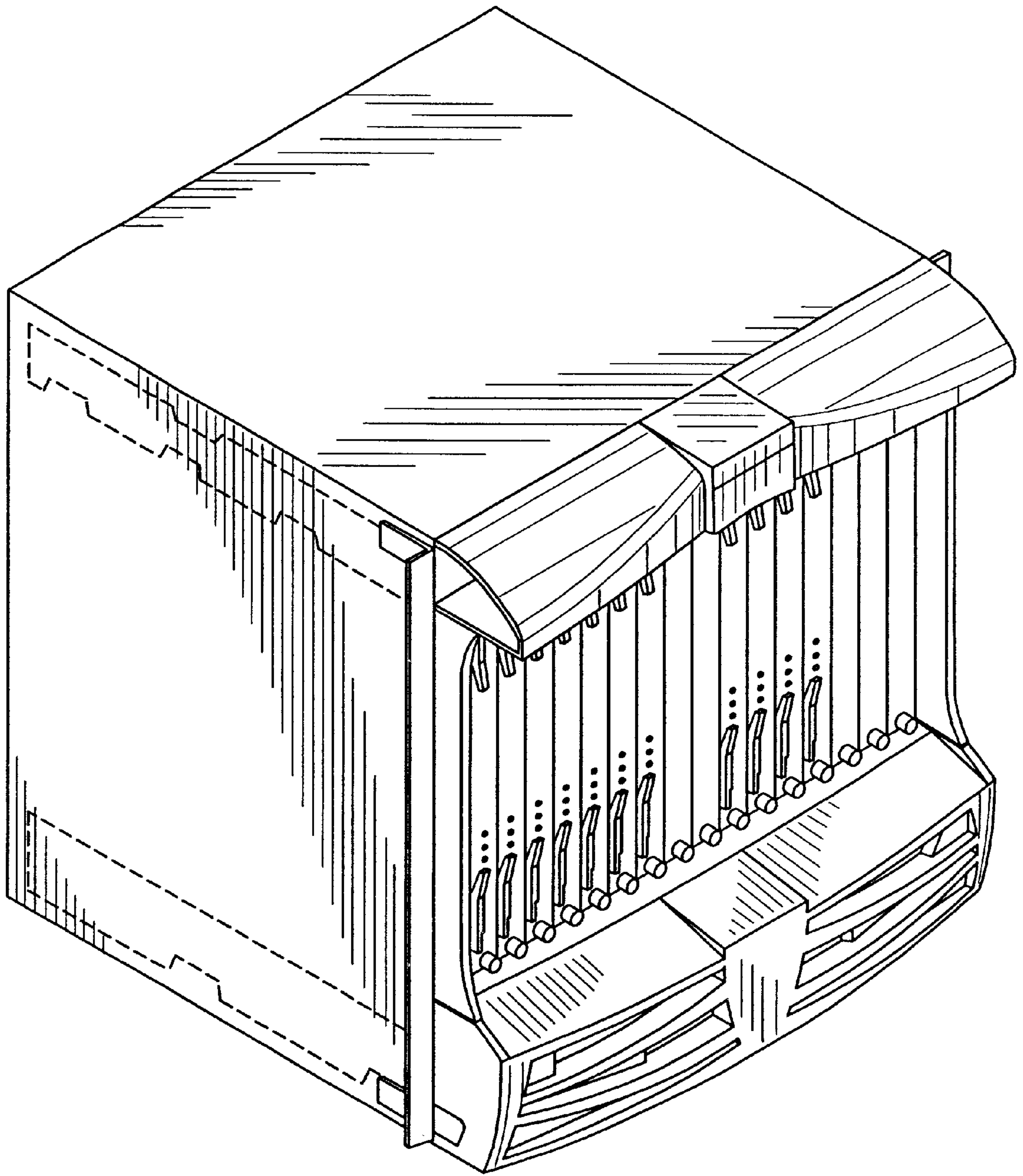
The ornamental design for an electronics enclosure, as shown and described.

**DESCRIPTION**

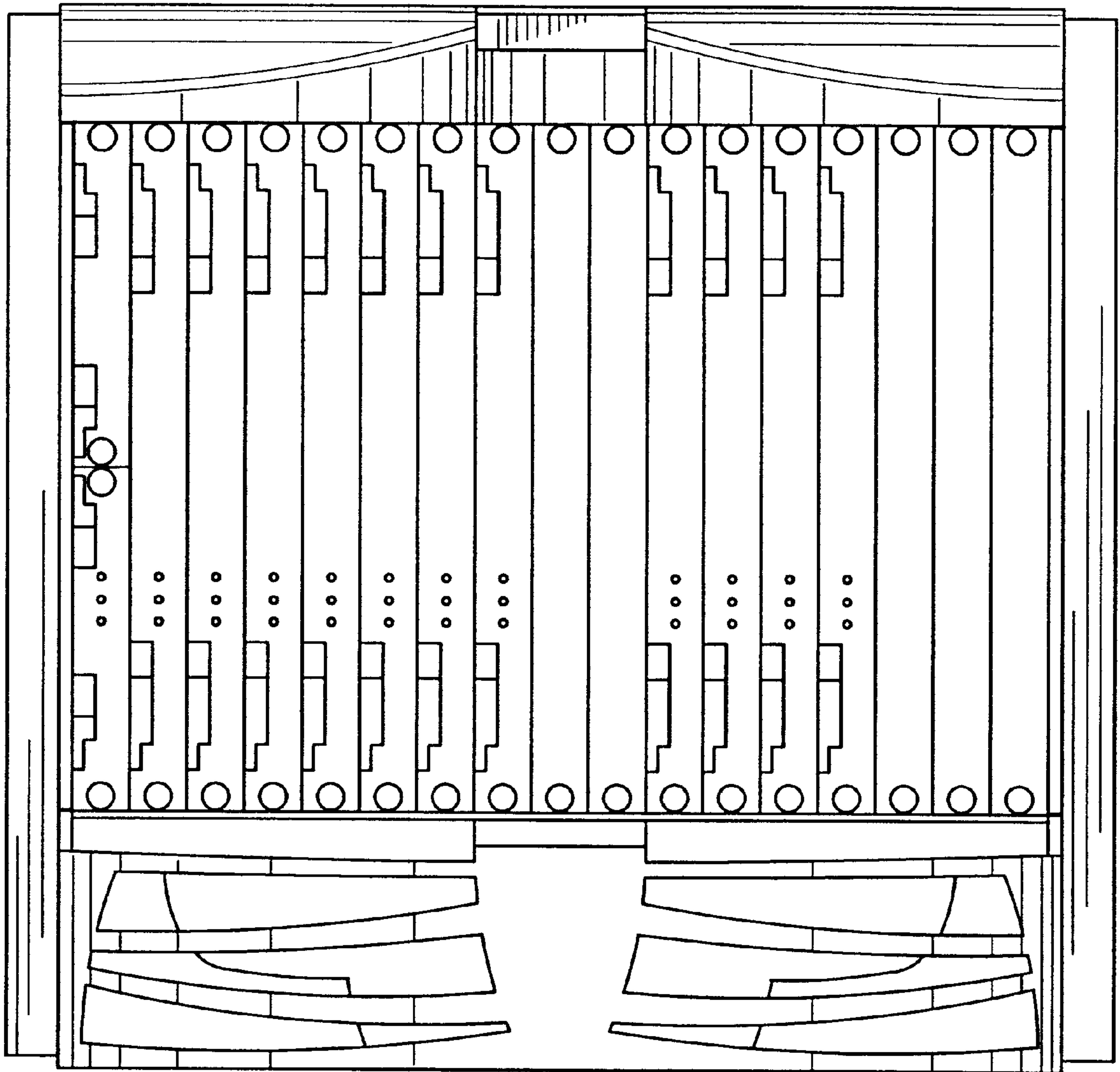
FIG. 1 is a perspective view of the electronics enclosure; FIG. 2 is a front view of the electronics enclosure of FIG. 1; FIG. 3 is a right side view of the electronics enclosure of FIG. 1; FIG. 4 is a left side view of the electronics enclosure of FIG. 1; and, FIG. 5 is a top view of the electronics enclosure of FIG. 1. The broken line showing of the environment is for illustrative purpose only and forms not part of the claimed design.

**1 Claim, 5 Drawing Sheets**

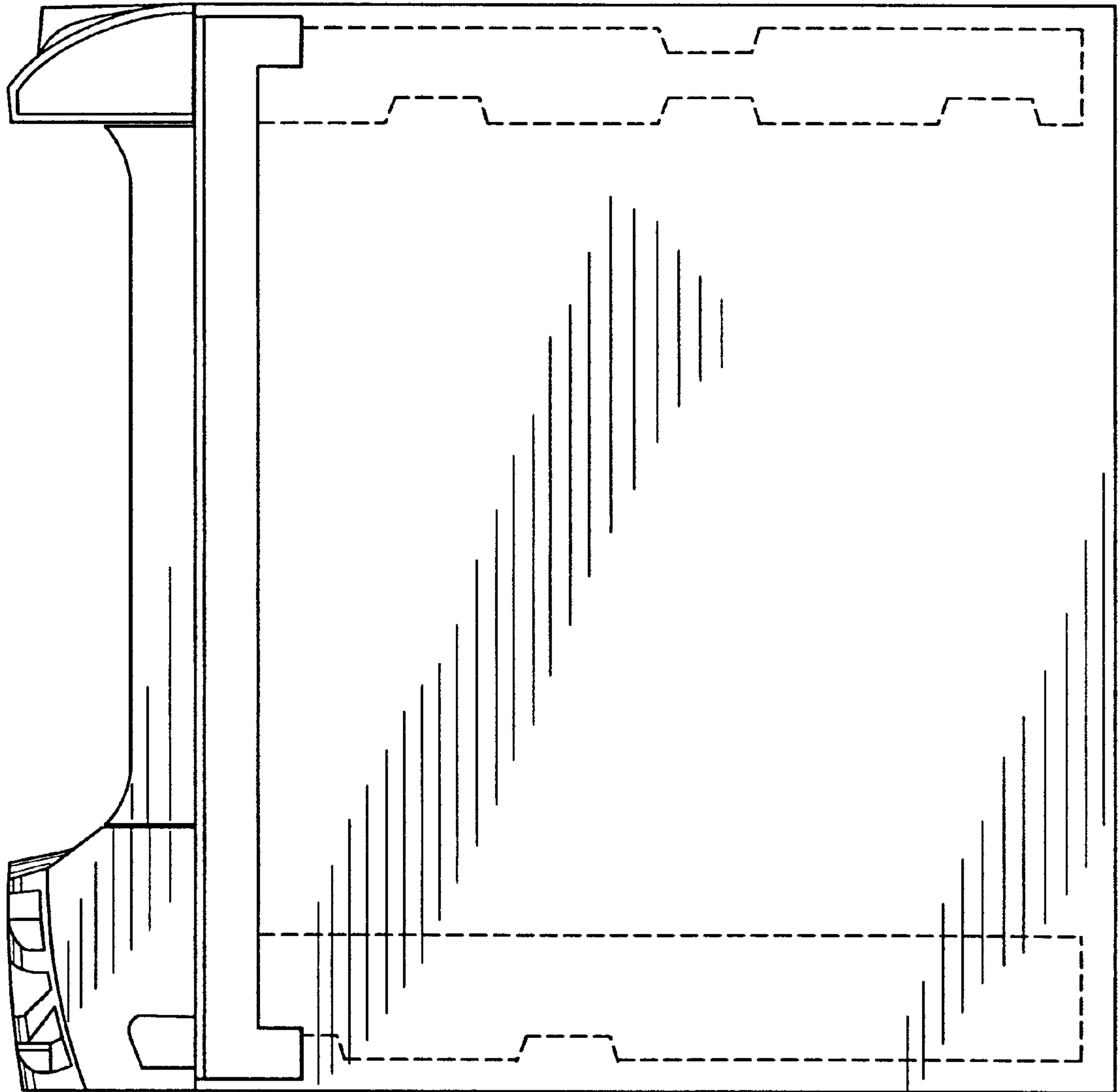




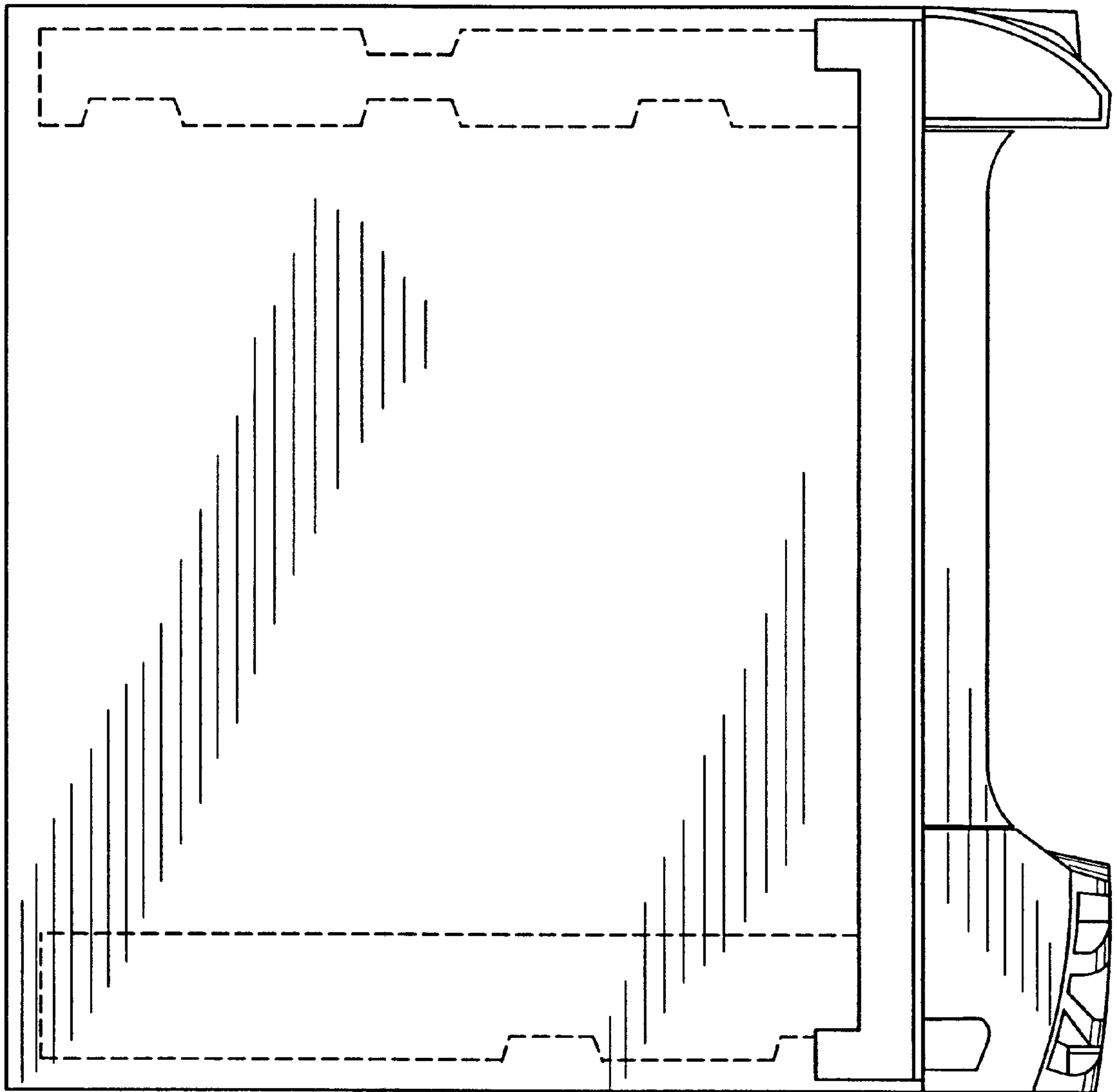
**FIG. 1**



**FIG. 2**

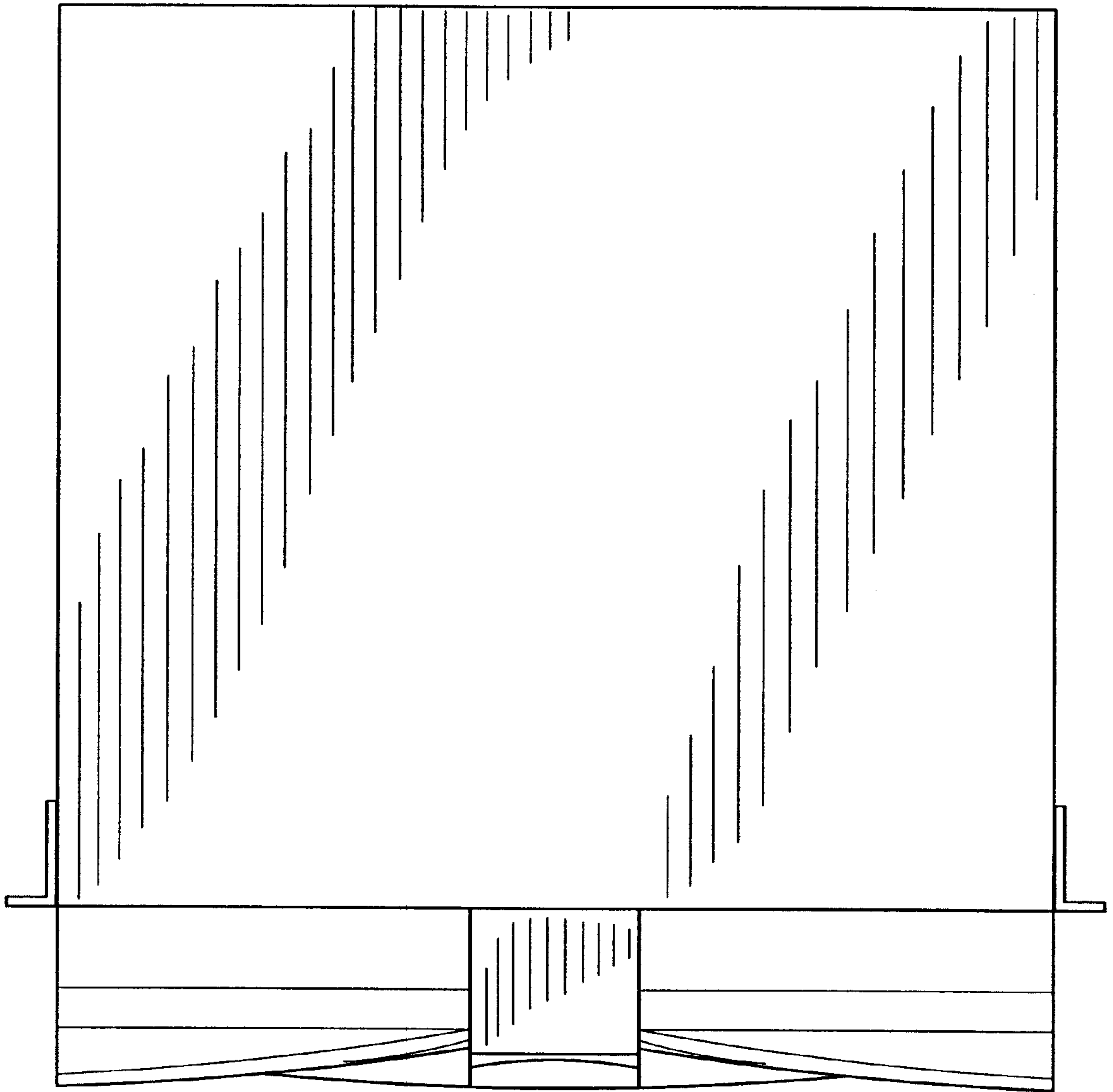


**FIG. 3**



**FIG. 4**





**FIG. 5**