



US00D465464S

(12) **United States Design Patent**
Cornille

(10) **Patent No.:** **US D465,464 S**

(45) **Date of Patent:** **** Nov. 12, 2002**

(54) **ORNAMENTAL EQUIPMENT COVER**

(75) Inventor: **Thomas G. Cornille**, New Hope, MN
(US)

(73) Assignee: **Honeywell International Inc.**,
Morristown, NJ (US)

(**) Term: **14 Years**

(21) Appl. No.: **29/150,815**

(22) Filed: **Nov. 29, 2001**

Related U.S. Application Data

(62) Division of application No. 29/138,424, filed on Mar. 13,
2001, now Pat. No. Des. 455,724.

(51) **LOC (7) Cl.** **13-03**

(52) **U.S. Cl.** **D13/184**

(58) **Field of Search** D13/184, 152;
D14/240, 314, 444, 446; 174/48-49, 50-67,
65 R, 58; 312/679, 724, 829; 379/399;
D23/364, 355

(56) **References Cited**

U.S. PATENT DOCUMENTS

D389,809 S 1/1998 Tirrell D13/184

D396,460 S	7/1998	Su	D14/115
D402,022 S	12/1998	Termeer et al.	D23/364
5,934,774 A	8/1999	Wu et al.	312/223.2
D414,188 S	9/1999	Matthews et al.	D14/240
D416,882 S	11/1999	Jean et al.	D14/115
D428,605 S	7/2000	Claprod et al.	D13/184
D432,098 S	10/2000	Nelson et al.	D13/184
D437,635 S	2/2001	Lozzio et al.	D23/364
D439,255 S	3/2001	Jean et al.	D14/444
D440,978 S	4/2001	Jean et al.	D14/444

Primary Examiner—Ted Shooman

Assistant Examiner—Daniel Bui

(57) **CLAIM**

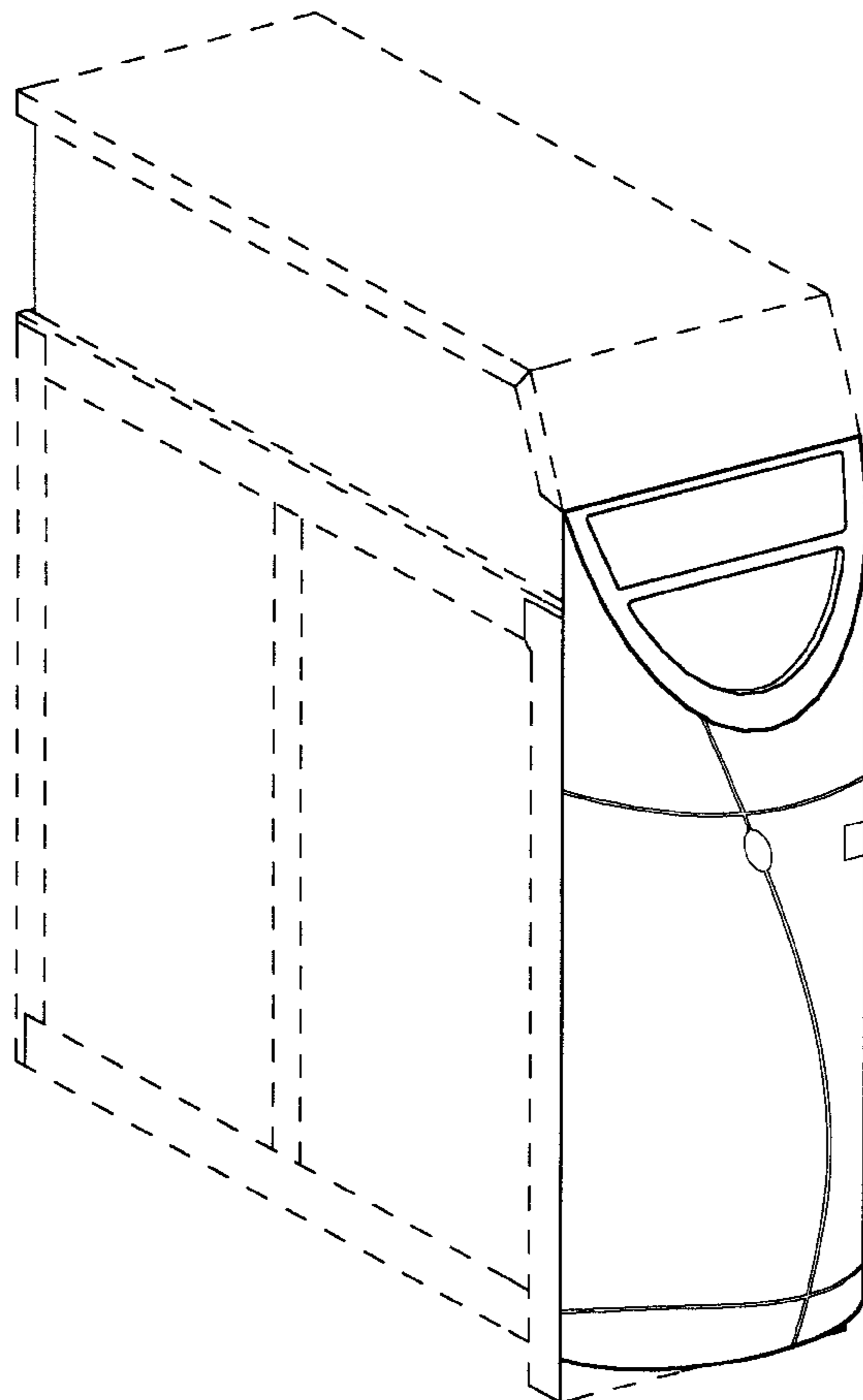
The ornamental design for an ornamental equipment cover,
substantially as shown and described.

DESCRIPTION

FIG. 1 is a perspective view of an ornamental equipment
cover showing my design; the broken lines showing of
environment are for illustrative purposes only and form no
part of my claimed design; and,

FIGS. 2-5 are respectively left, front, right, and top eleva-
tion views of the version of the cover shown in FIG. 1 in its
normal orientation.

1 Claim, 2 Drawing Sheets



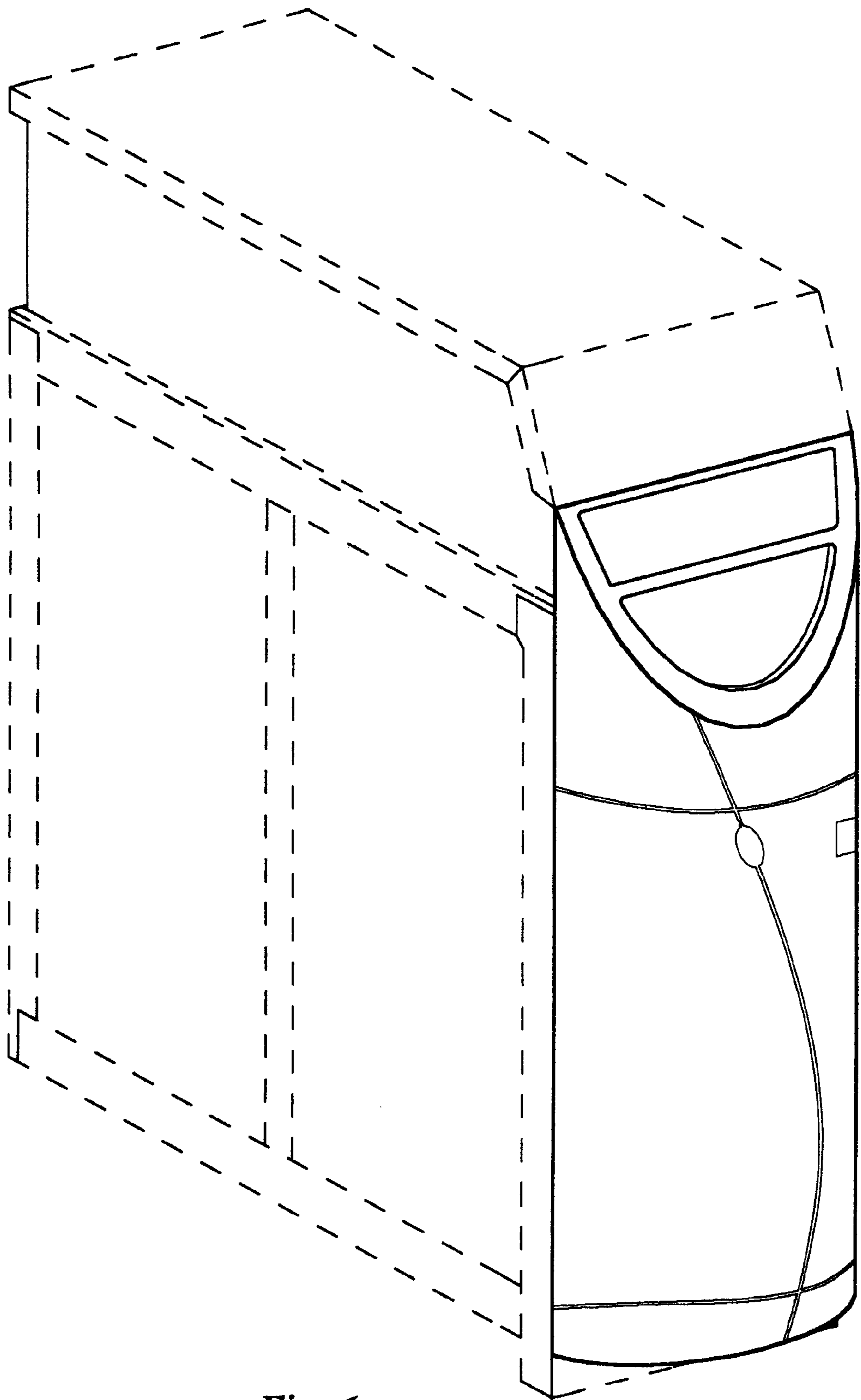


Fig. 1

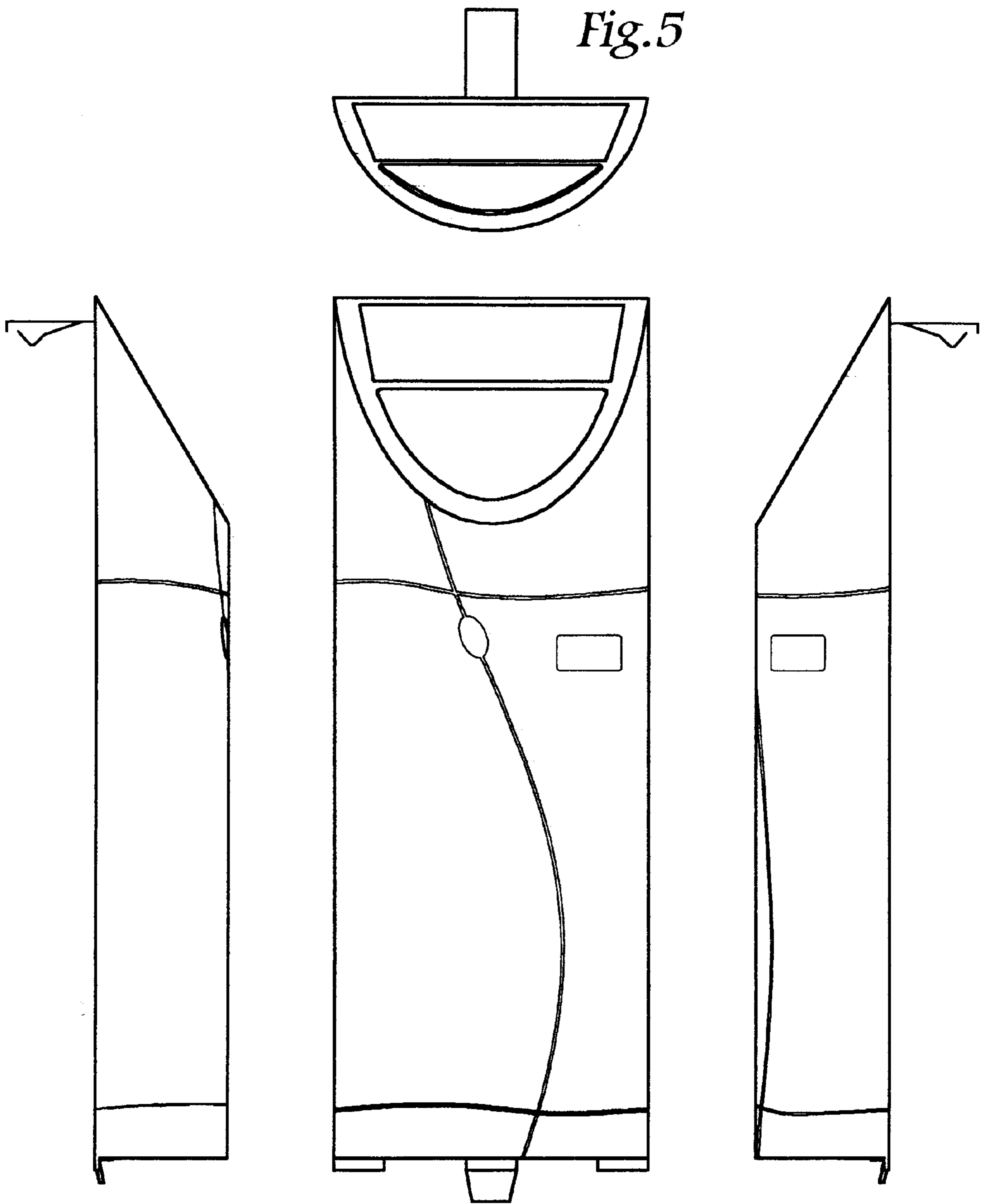


Fig.2

Fig.3

Fig.4

Fig.5