



US00D465463S

(12) **United States Design Patent**  
**Wasada et al.**

(10) **Patent No.:** **US D465,463 S**

(45) **Date of Patent:** **\*\* Nov. 12, 2002**

(54) **HYBRID INTEGRATED CIRCUIT DEVICE**

(75) Inventors: **Yoshiyuki Wasada**, Tokyo (JP);  
**Tetsuya Ito**, Tokyo (JP); **Naoki Tomaru**, Tokyo (JP)

(73) Assignee: **Taiyo Yuden Co., Ltd.**, Tokyo (JP)

(\*\*) Term: **14 Years**

(21) Appl. No.: **29/155,761**

(22) Filed: **Feb. 19, 2002**

**Related U.S. Application Data**

(62) Division of application No. 29/143,470, filed on Jun. 15, 2001, now Pat. No. Des. 456,787.

(51) **LOC (7) Cl.** ..... **13-03**

(52) **U.S. Cl.** ..... **D13/182**

(58) **Field of Search** ..... D13/182, 110,  
D13/123, 133, 199; D10/46, 75; 29/829-832,  
846; 174/250-257, 253-255, 260-261,  
268; 216/13; 292/314; 361/718, 748, 752-753,  
760, 783-784, 820; 411/500; 428/901;  
470/27

(56) **References Cited**

**U.S. PATENT DOCUMENTS**

D357,671 S \* 4/1995 Terasawa et al. .... D13/182

5,742,480 A \* 4/1998 Sawada et al. .... 361/749  
D396,450 S \* 7/1998 Nishiura et al. .... D13/182  
5,838,546 A \* 11/1998 Miyoshi ..... 361/749  
5,905,639 A \* 5/1999 Warren ..... 361/776  
6,028,773 A \* 2/2000 Hundt ..... 361/760  
D430,856 S \* 9/2000 Wilkerson ..... D13/182  
6,201,701 B1 \* 3/2001 Linden et al. .... 361/720

\* cited by examiner

*Primary Examiner*—Ted Shooman

*Assistant Examiner*—Daniel Bui

(74) *Attorney, Agent, or Firm*—Bacon & Thomas

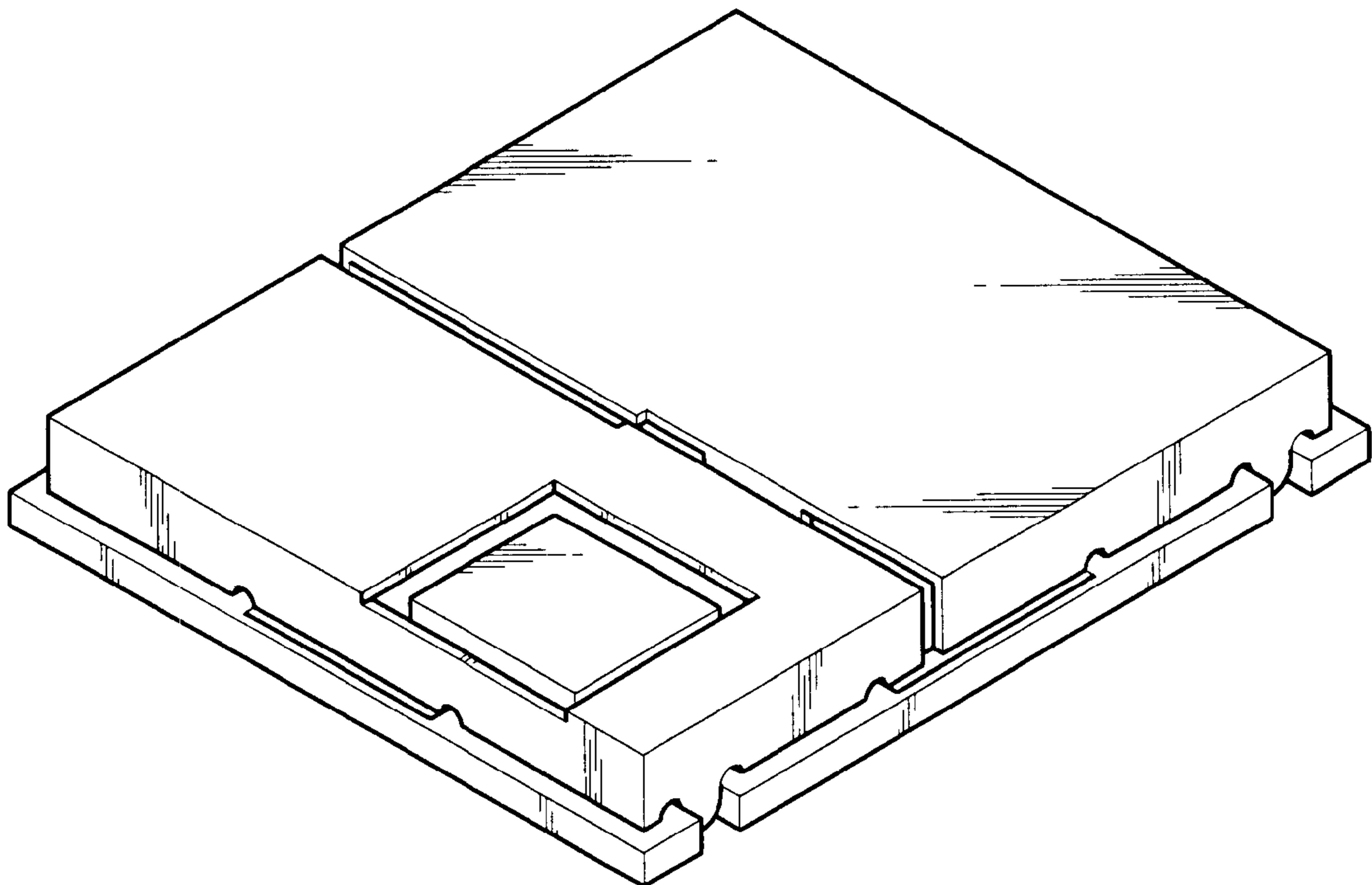
(57) **CLAIM**

The ornamental design for a hybrid integrated circuit device, as shown and described.

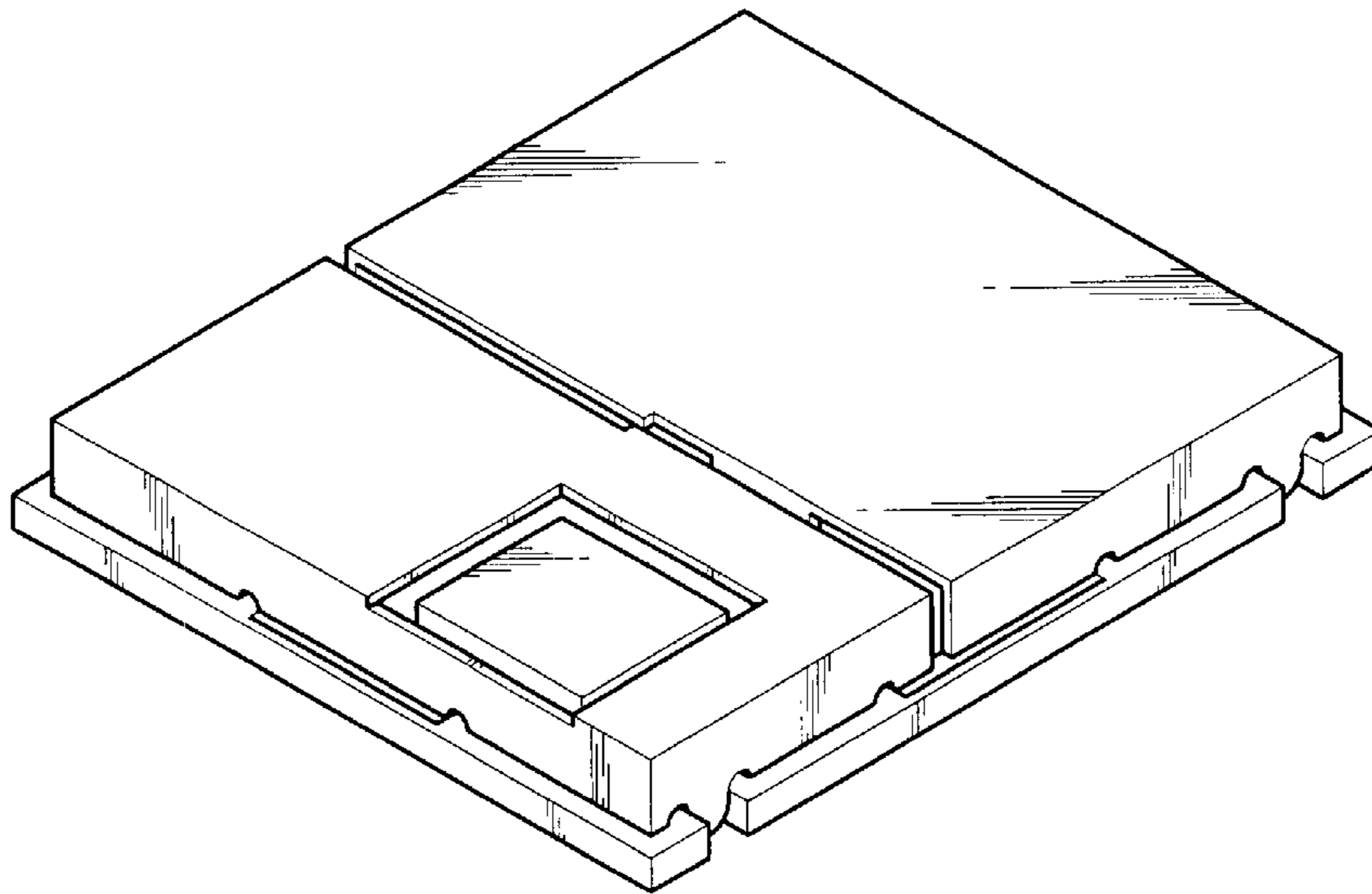
**DESCRIPTION**

FIG. 1 is a perspective view of a hybrid integrated circuit device showing an embodiment of our new design; FIG. 2 is a front elevational view thereof; FIG. 3 is a rear elevational view thereof; FIG. 4 is a left side elevational view thereof; FIG. 5 is a right side elevational view thereof; FIG. 6 is a top plan view thereof; FIG. 7 is a bottom plan view thereof; and, FIG. 8 is a cross sectional view, taken along the line A—A of FIG. 6.

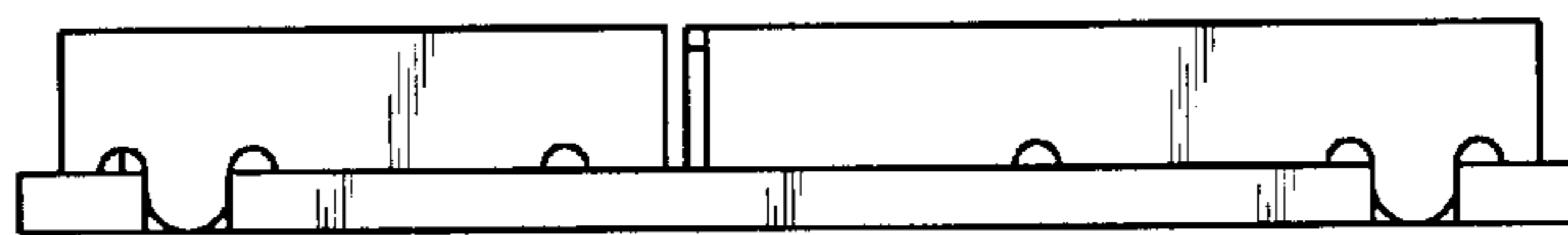
**1 Claim, 4 Drawing Sheets**



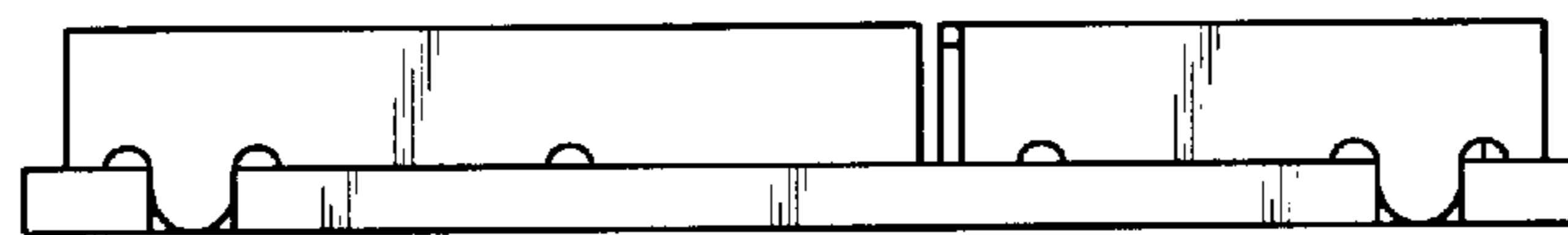
*FIG. 1*



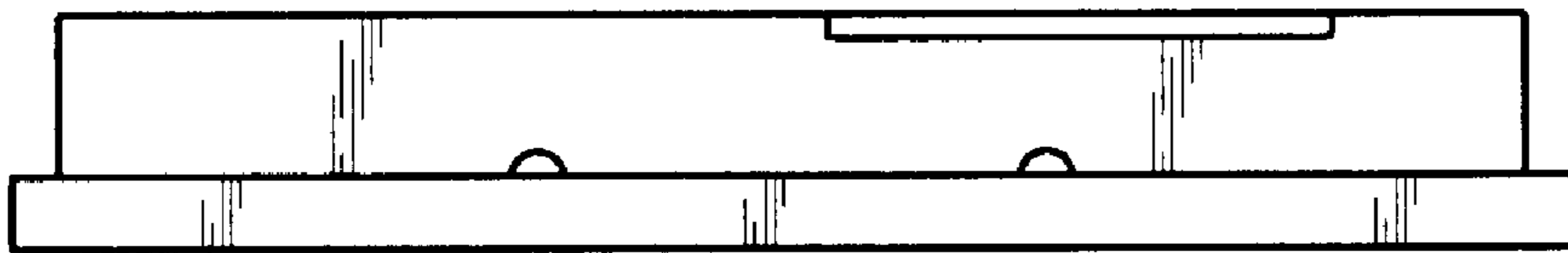
*FIG. 2*



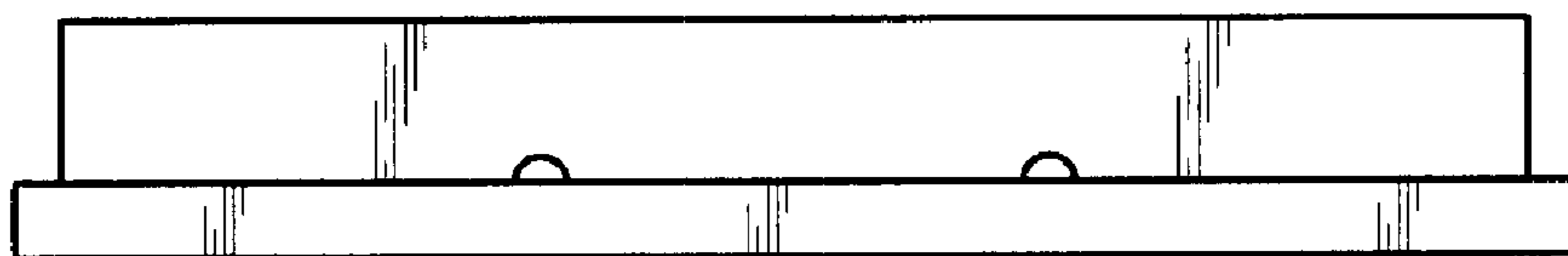
*FIG. 3*



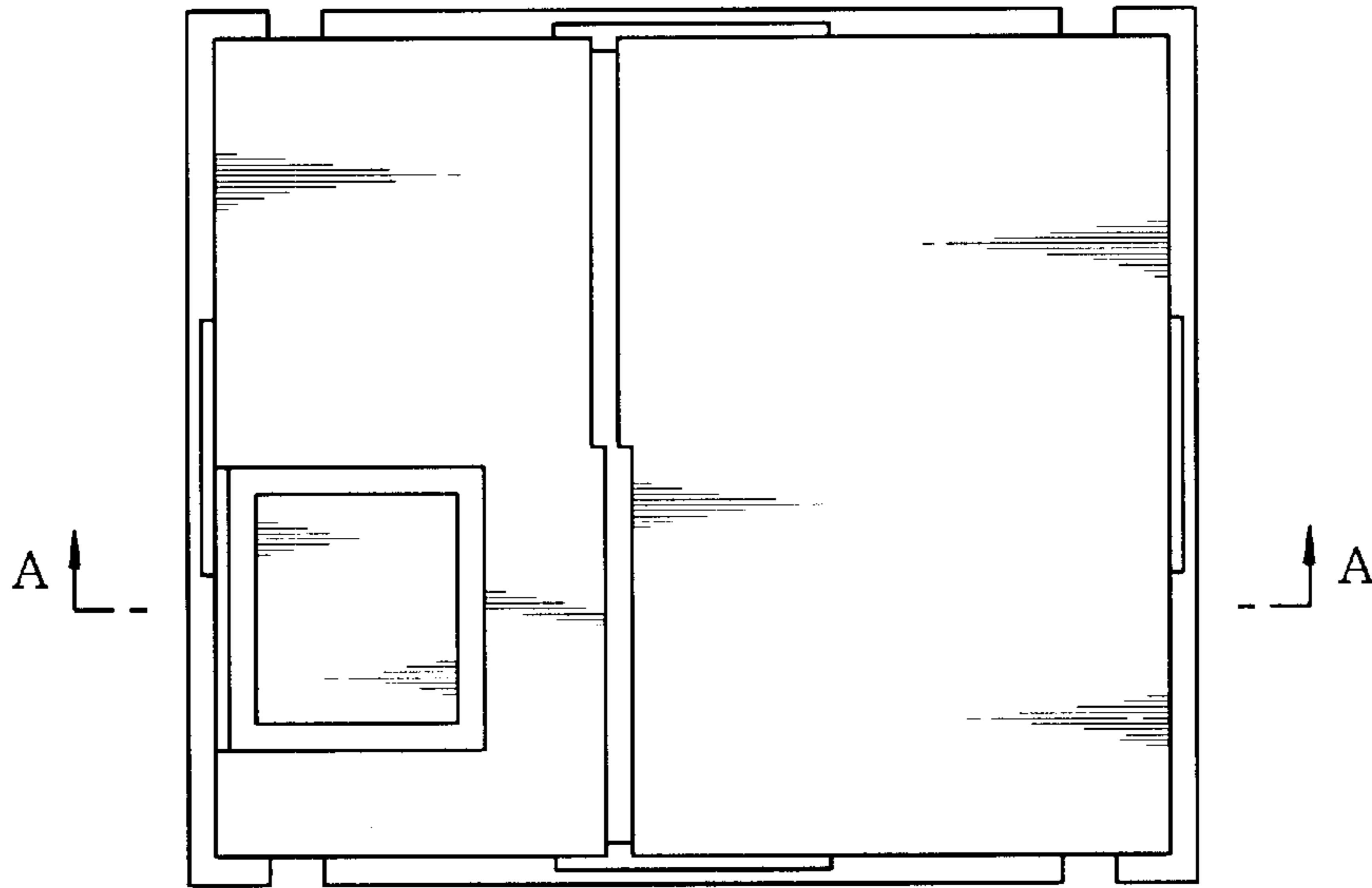
*FIG. 4*



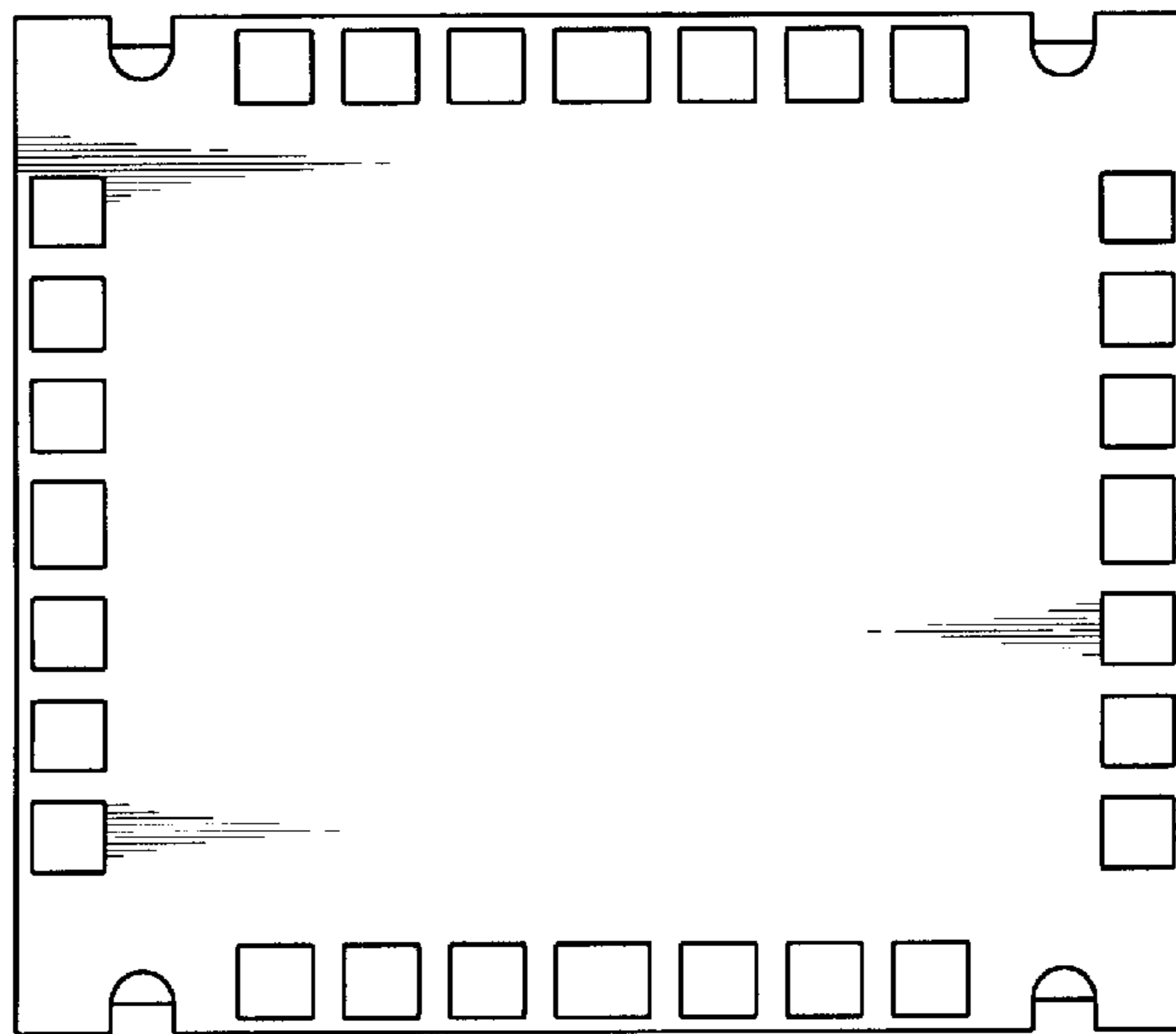
*FIG. 5*



*FIG. 6*



*FIG. 7*



*FIG. 8*

