



US00D465461S

(12) **United States Design Patent**
Hinshaw et al.

(10) **Patent No.:** **US D465,461 S**

(45) **Date of Patent:** **** Nov. 12, 2002**

(54) **ELECTRICAL OUTLET COVER**

(76) Inventors: **Danny L Hinshaw**, 3721 E 29th Ave.,
Lake Station, IN (US) 46405; **Pattie**
Hinshaw, 3721 E 29th Ave., Lake
Station, IN (US) 46405

(**) Term: **14 Years**

(21) Appl. No.: **29/144,292**

(22) Filed: **Jun. 29, 2001**

(51) **LOC (7) Cl.** **13-03**

(52) **U.S. Cl.** **D13/177**

(58) **Field of Search** D8/350, 353; D13/133,
D13/156, 173, 177; 174/48, 67; 220/242;
439/135, 142, 144, 147, 373; 200/43, 19,
242, 304

(56) **References Cited**

U.S. PATENT DOCUMENTS

D242,522 S	*	11/1976	Emmerling	D8/353
D242,523 S	*	11/1976	Emmerling	D8/353
4,530,555 A		7/1985	South		
4,740,655 A		4/1988	Ford		
4,851,612 A		7/1989	Peckham		
4,895,999 A	*	1/1990	Calderon	174/67
4,950,842 A		8/1990	Menninga		
D310,320 S		9/1990	Domian		
4,979,634 A	*	12/1990	Begley	220/242
5,045,640 A		9/1991	Riceman		
5,174,773 A	*	12/1992	Jones	439/147
5,195,901 A	*	3/1993	Correnti	439/147

5,218,169 A	*	6/1993	Riceman	174/67
D342,235 S	*	12/1993	Shotey	D13/156
5,382,755 A	*	1/1995	Correnti	174/67
6,028,268 A	*	2/2000	Stark et al.	174/67
6,198,046 B1	*	3/2001	Moodie	174/67

* cited by examiner

Primary Examiner—Ted Shooman
Assistant Examiner—Selina Sikder

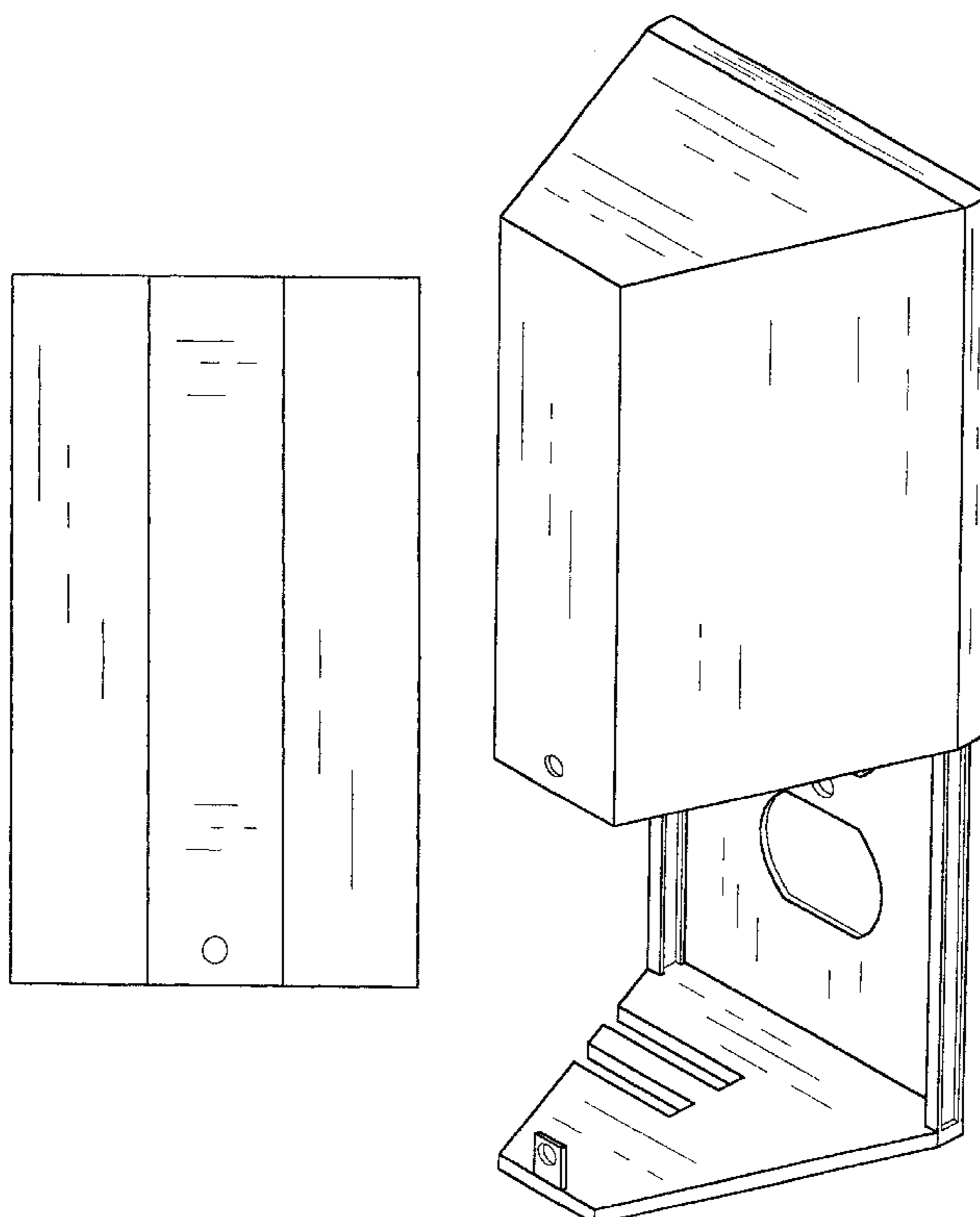
(57) **CLAIM**

The ornamental design for a electrical outlet cover, as shown and described.

DESCRIPTION

FIG. 1 is a front elevational view of the electrical outlet cover of the present invention;
 FIG. 2 is a rear elevational view of the electrical outlet cover of FIG. 1;
 FIG. 3 is a right side elevational view of the electrical outlet cover of FIG. 1, the left view being a mirror image thereof;
 FIG. 4 is a top plan view of the electrical outlet cover of FIG. 1;
 FIG. 5 is a bottom plan view of the electrical outlet cover of FIG. 1;
 FIG. 6 is a top, front, right side perspective in an alternate position (cover partially removed from wall plate);
 FIG. 7 is a top, front, right side perspective view of an alternate embodiment of FIG. 1 (4 outlet hole cover); and,
 FIG. 8 is a bottom, rear, left side perspective view of FIG. 7 in an alternate position (cover closed).

1 Claim, 5 Drawing Sheets



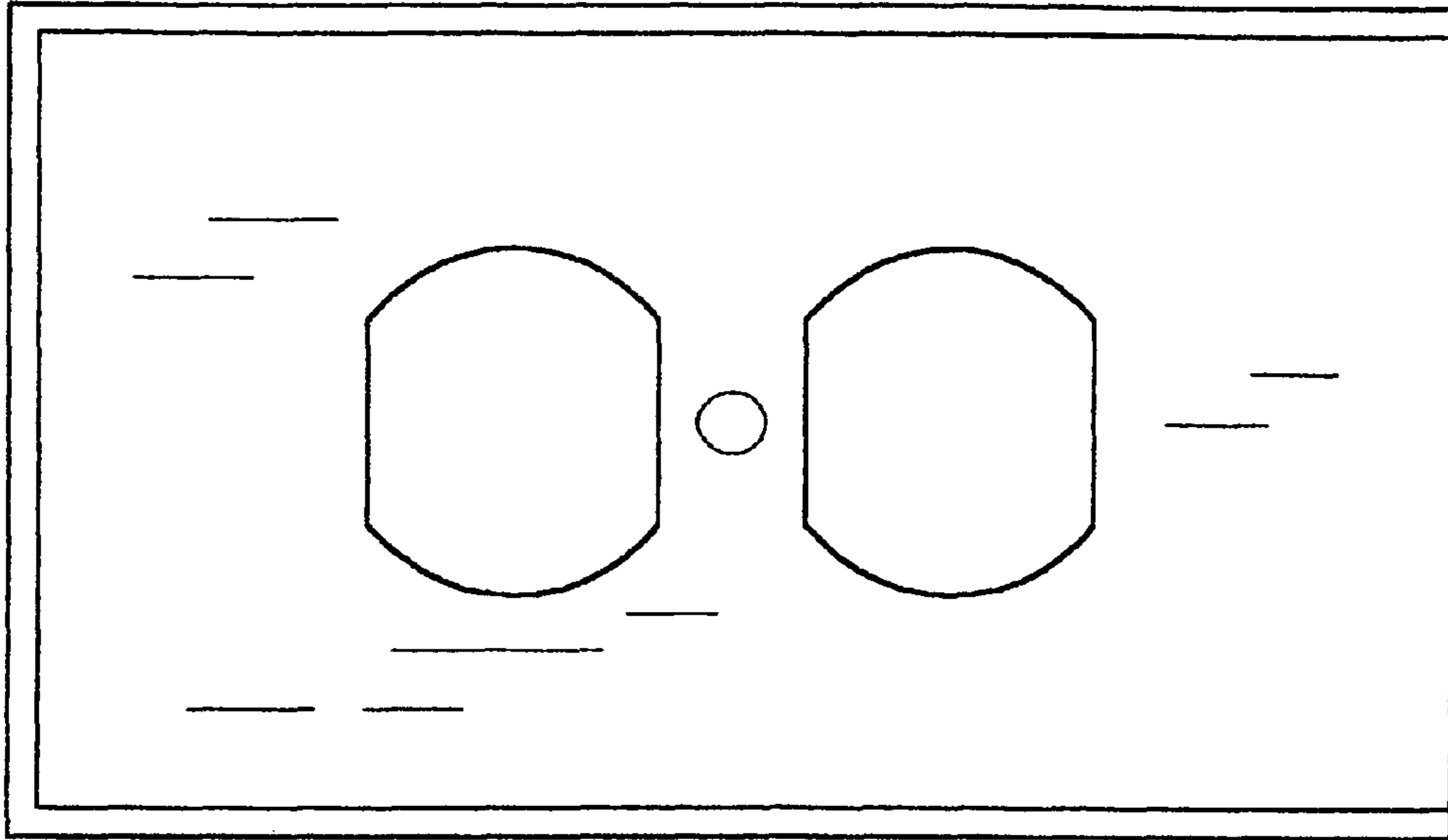


FIG. 1

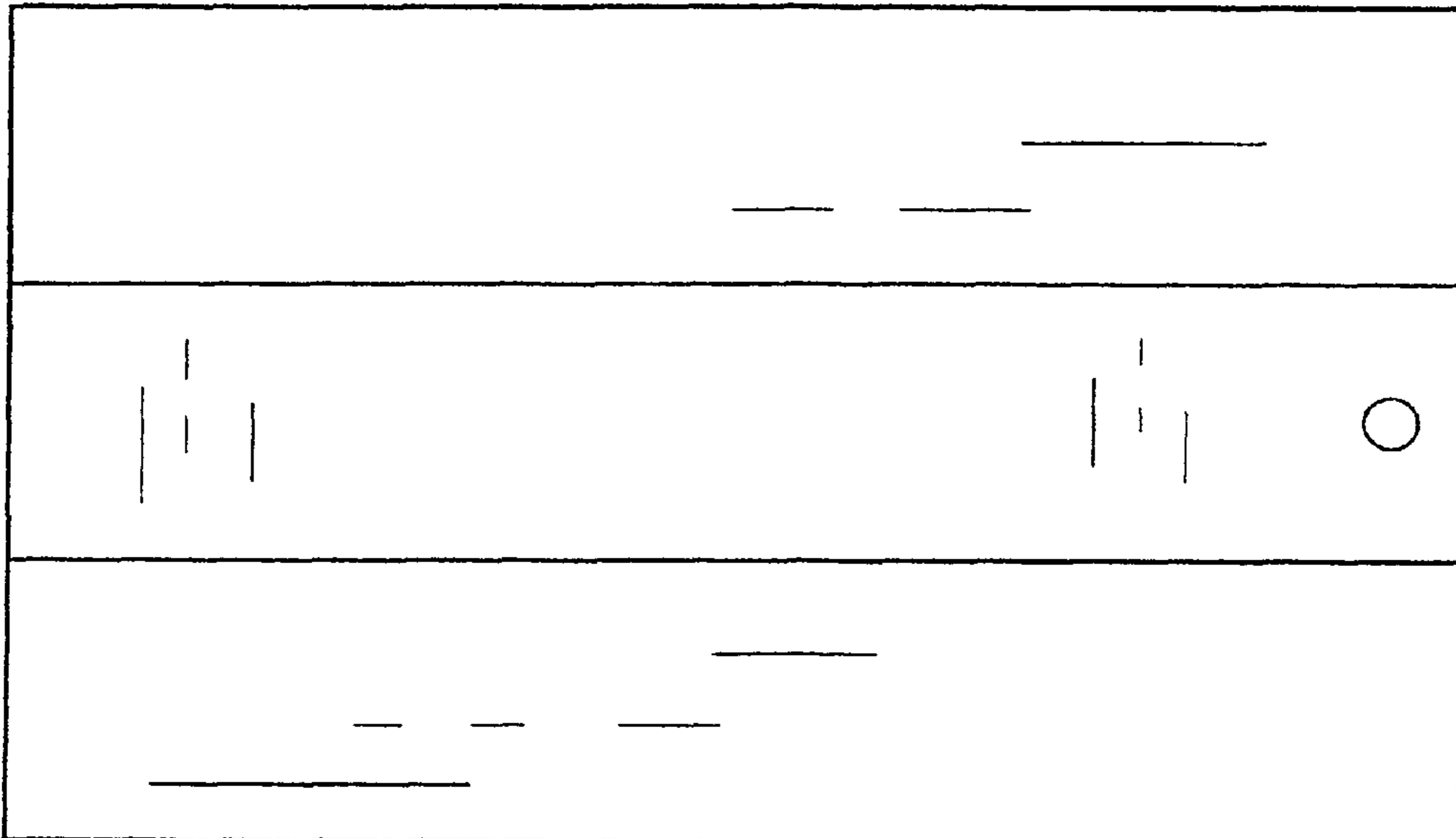


FIG. 2

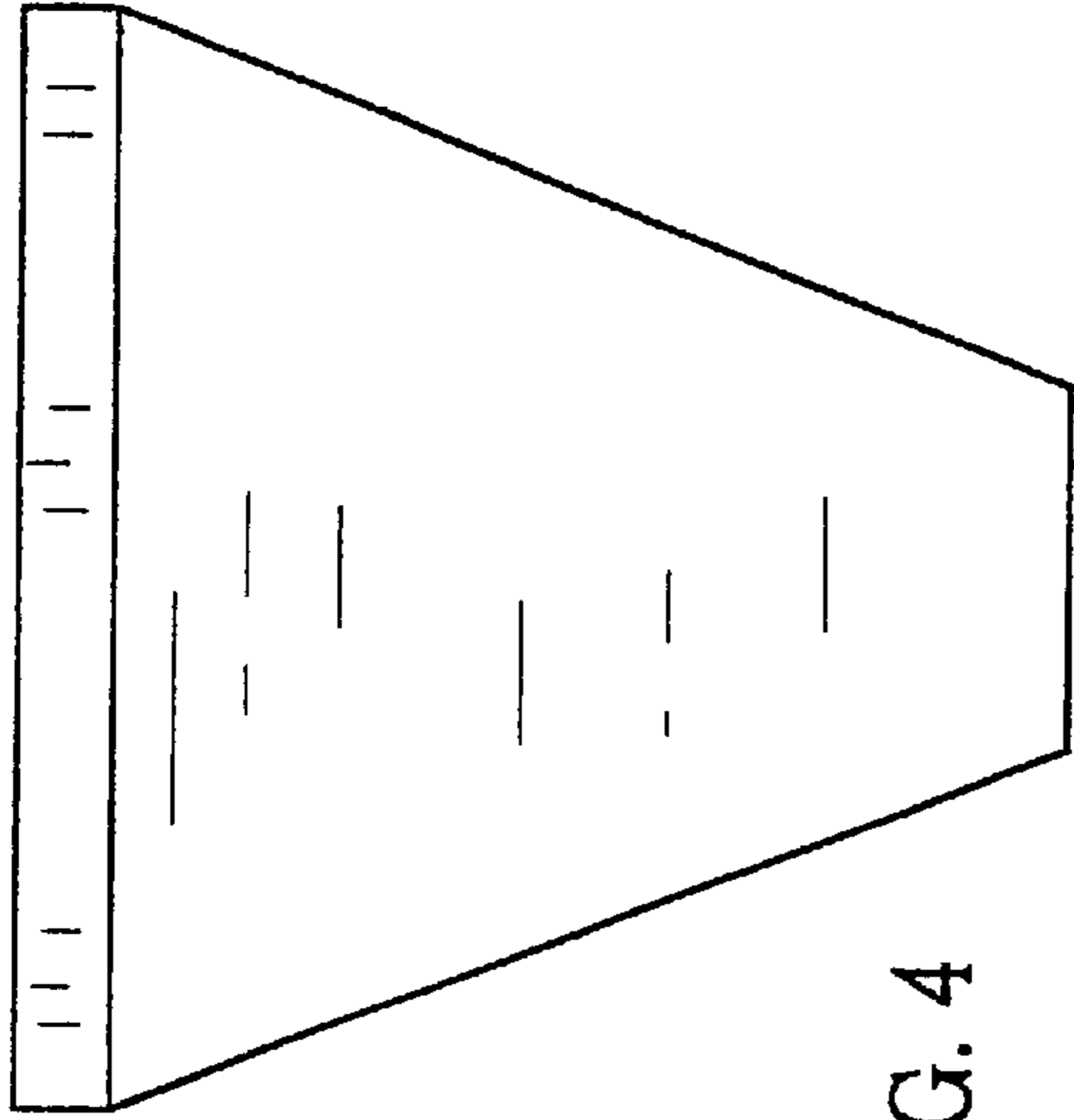


FIG. 4

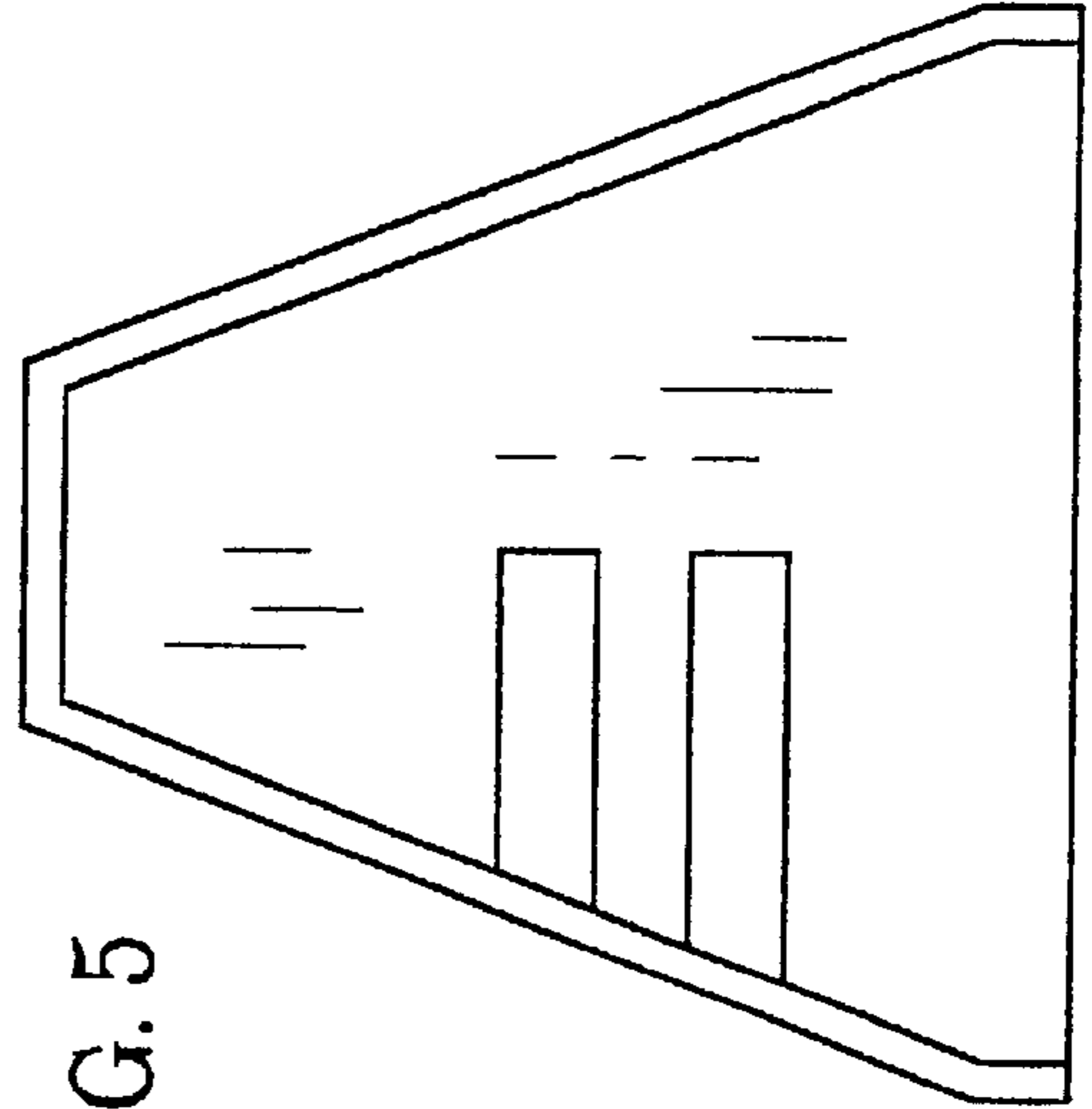


FIG. 5

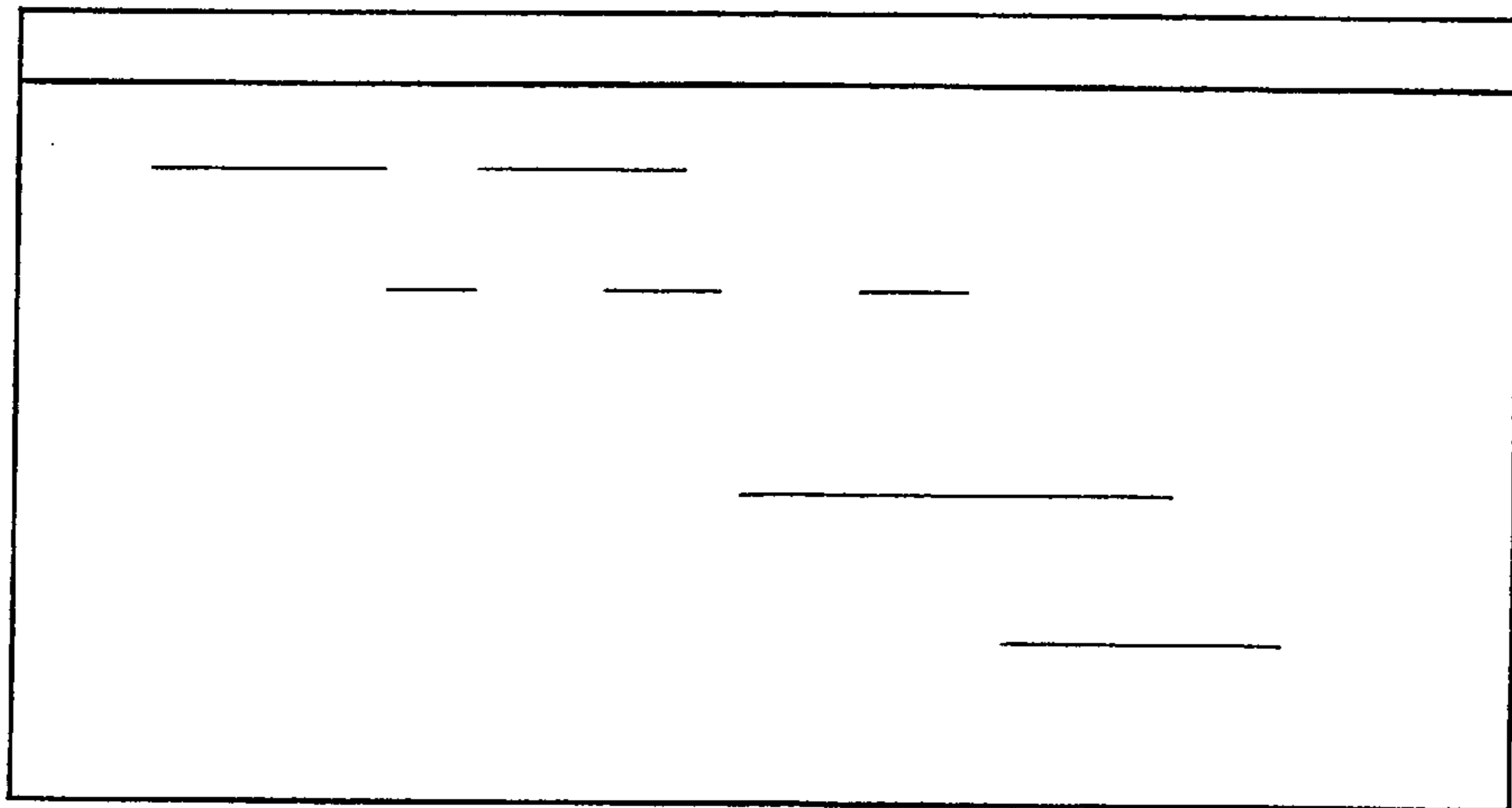


FIG. 3

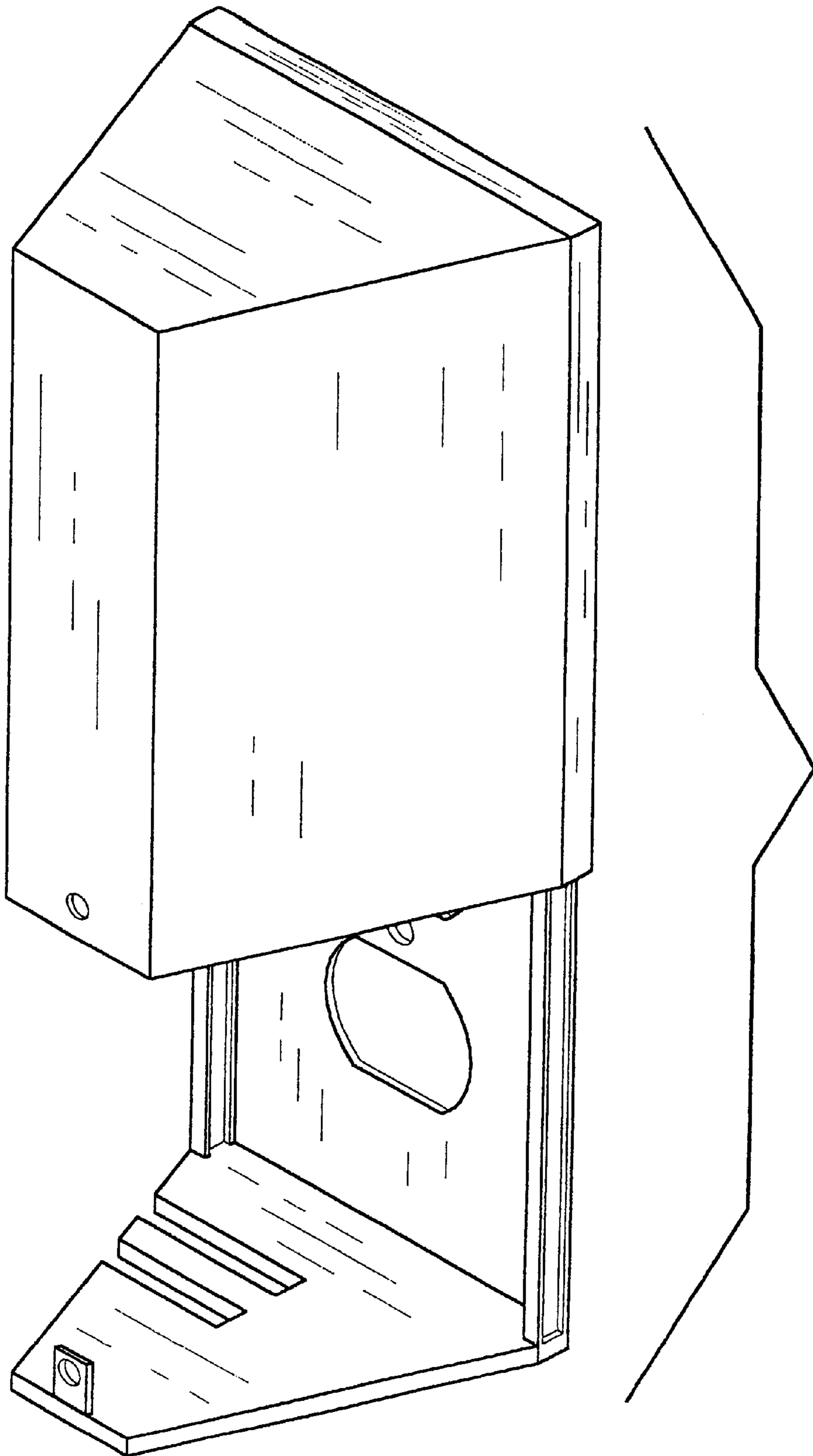


FIG. 6

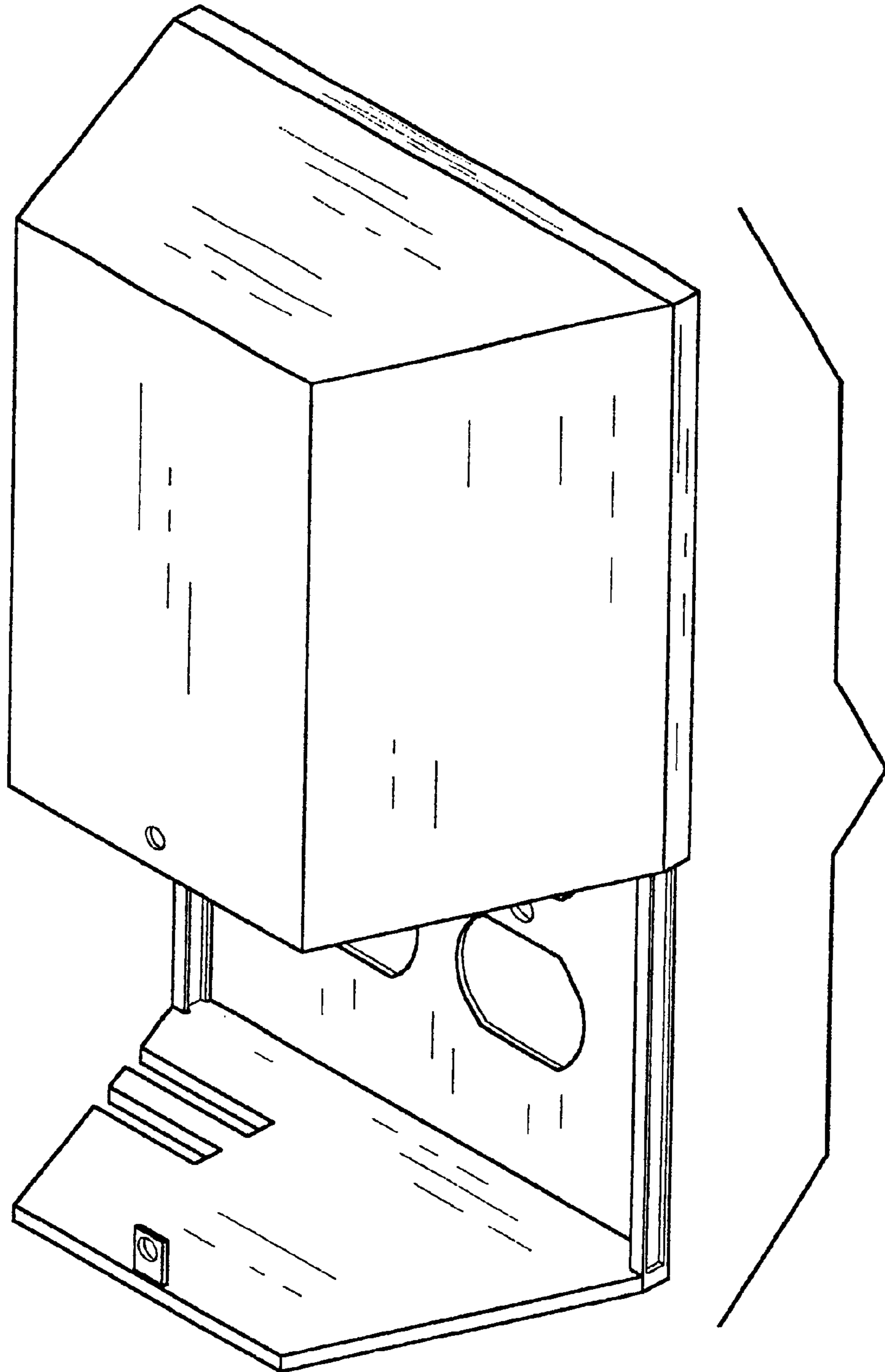


FIG. 7

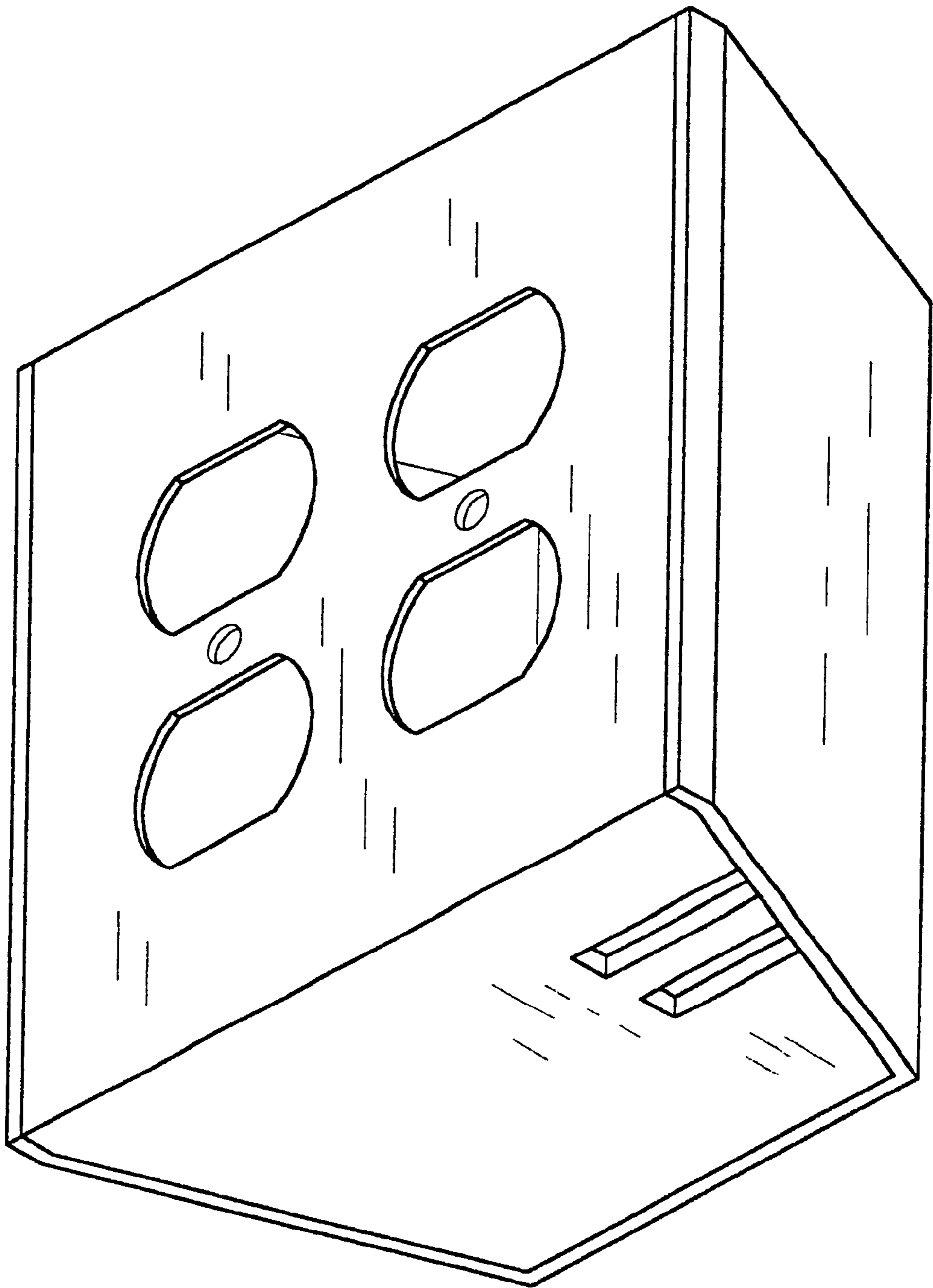


FIG. 8