



US00D465460S

(12) **United States Design Patent**
Mayo et al.

(10) **Patent No.:** **US D465,460 S**
(45) **Date of Patent:** **** Nov. 12, 2002**

(54) **LIGHTING CONTROL**

(75) Inventors: **Noel Mayo**, Philadelphia, PA (US);
Nathan J. Butler, Harleysville, PA (US);
Joel S. Spira, Coopersburg, PA (US)

(73) Assignee: **Lutron Electronics Co., Inc.**,
Coopersburg, PA (US)

(**) Term: **14 Years**

(21) Appl. No.: **29/156,398**

(22) Filed: **Feb. 27, 2002**

Related U.S. Application Data

(62) Division of application No. 29/120,214, filed on Mar. 14, 2000, now Pat. No. Des. 456,783.

(51) **LOC (7) Cl.** **13-03**

(52) **U.S. Cl.** **D13/164**

(58) **Field of Search** D8/350, 351, 353;
D10/50, 90, 103; D13/162, 164, 171, 174;
174/48, 52.1, 66, 67; 200/42.01, 237, 293,
308, 310, 313

(56) **References Cited**

U.S. PATENT DOCUMENTS

D183,395 S	*	8/1958	Koch	D8/350
D412,315 S	*	7/1999	Mayo et al.	D13/164
D412,492 S	*	8/1999	Gatchell et al.	D13/164
D422,567 S	*	4/2000	Mayo et al.	D13/162
D436,930 S	*	1/2001	Butler	D13/162

* cited by examiner

Primary Examiner—Ted Shooman

Assistant Examiner—Selina Sikder

(74) *Attorney, Agent, or Firm*—Mark E. Rose

(57) **CLAIM**

The ornamental design for a lighting control, as shown and described.

DESCRIPTION

FIG. 1 is a front elevational view of a first embodiment of a lighting control of the design according to the invention (a

faceplate, which does not form part of the invention, is shown in phantom);

FIG. 2 is an isometric projection of the lighting control of FIG. 1 (a faceplate, which does not form part of the invention, is shown in phantom);

FIG. 3 is a top plan view of the lighting control of FIG. 1 (a faceplate and back cover, which do not form part of the invention, are shown in phantom);

FIG. 4 is a bottom plan view of the lighting control of FIG. 1 (a faceplate and back cover, which do not form part of the invention, are shown in phantom);

FIG. 5 is a left side elevational view of the lighting control of FIG. 1 (a faceplate and back cover, which do not form part of the invention, are shown in phantom);

FIG. 6 is a right side elevational view of the lighting control of FIG. 1 (a faceplate and back cover, which do not form part of the invention, are shown in phantom);

FIG. 7 is a front elevational view of a second embodiment of a lighting control of the design according to the invention (a faceplate, which does not form part of the invention, is shown in phantom);

FIG. 8 is an isometric projection of the lighting control of FIG. 7 (a faceplate, which does not form part of the invention, is shown in phantom);

FIG. 9 is a left side elevational view of the lighting control of FIG. 7 (a faceplate and back cover, which do not form part of the invention, are shown in phantom);

FIG. 10 is a right side elevational view of the lighting control of FIG. 7 (a faceplate and back cover, which do not form part of the invention, are shown in phantom);

The top plan view and bottom plan view of the lighting control of FIG. 7 are the same as FIG. 3 and FIG. 4, respectively;

FIG. 11 is a front elevational view of a third embodiment of a lighting control of the design according to the invention (a faceplate, which does not form part of the invention, is shown in phantom);

FIG. 12 is an isometric projection of the lighting control of FIG. 11 (a faceplate, which does not form part of the invention, is shown in phantom);

FIG. 13 is a left side elevational view of the lighting control of FIG. 11 (a faceplate and back cover, which do not form part of the invention, are shown in phantom);

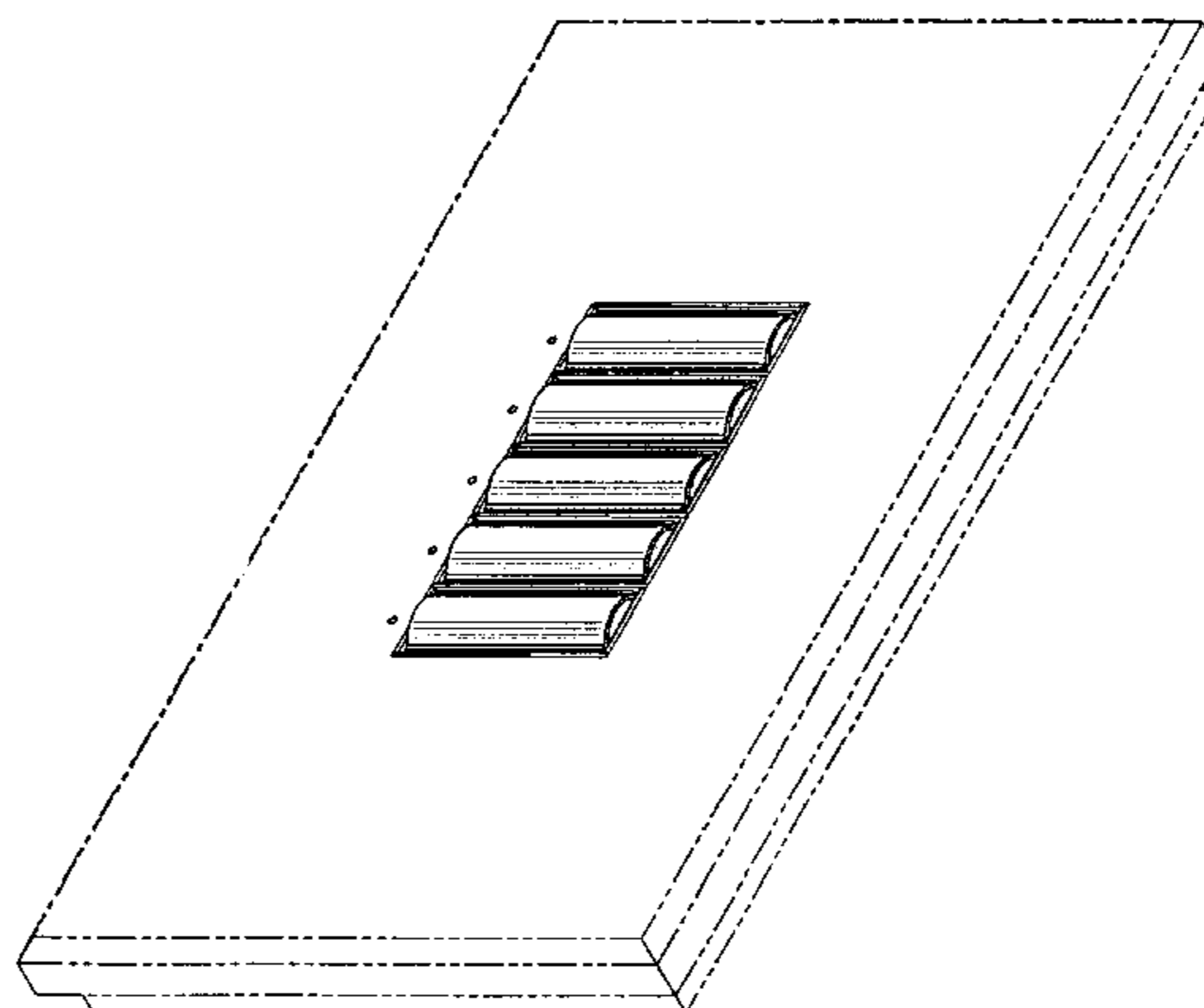
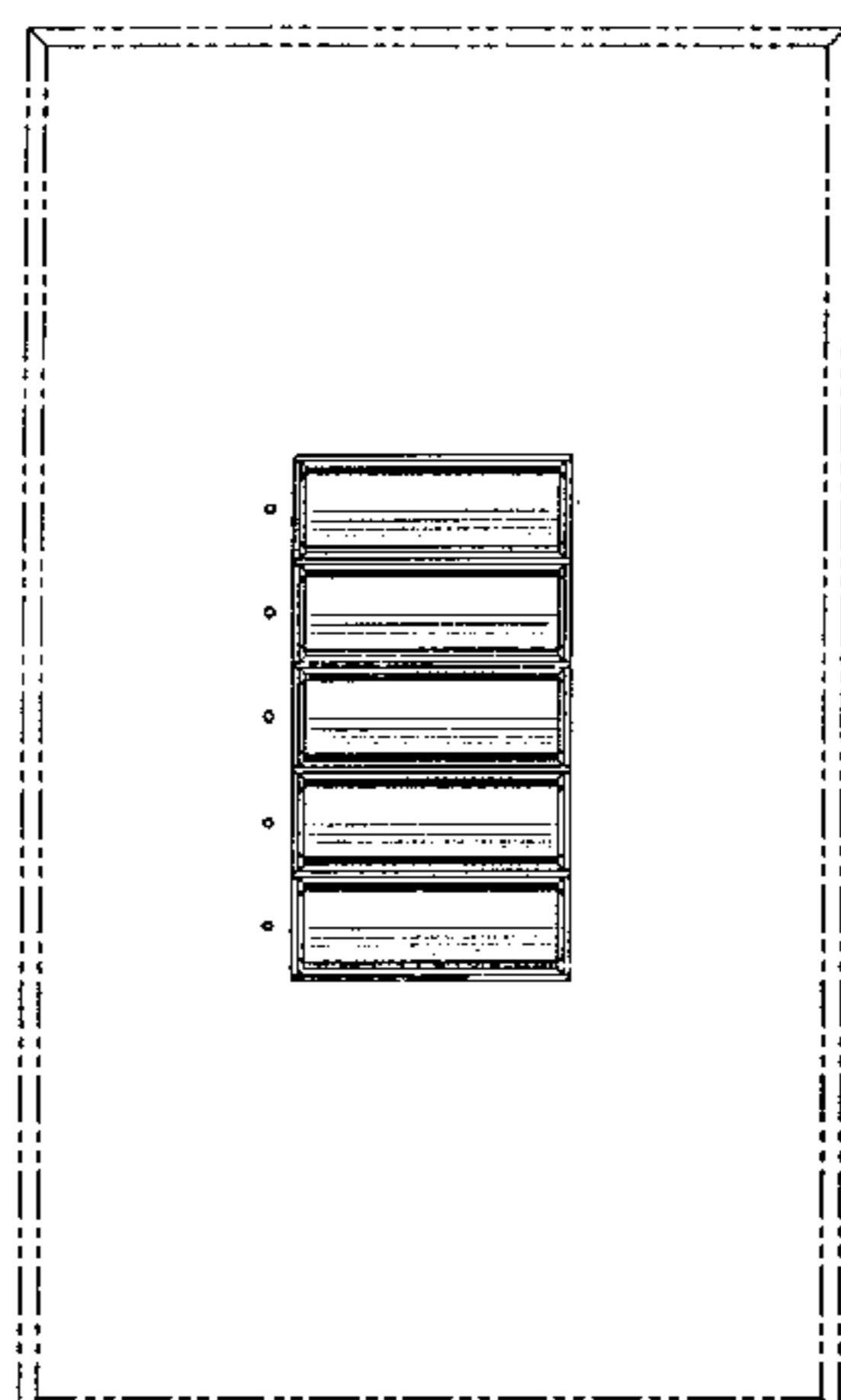


FIG. 14 is a right side elevational view of the lighting control of FIG. 11 (a faceplate and back cover, which do not form part of the invention, are shown in phantom);

The top plan view and bottom plan view of the lighting control of FIG. 11 are the same as FIG. 3 and FIG. 4, respectively;

FIG. 15 is a front elevational view of a fourth embodiment of a lighting control of the design according to the invention (a faceplate, which does not form part of the invention, is shown in phantom);

FIG. 16 is an isometric projection of the lighting control of FIG. 15 (a faceplate, which does not form part of the invention, is shown in phantom);

The top plan view, bottom plan view, left side elevational view, and right side elevational view of the lighting control of FIG. 15 are the same as FIG. 3, FIG. 4, FIG. 5, and FIG. 6, respectively;

FIG. 17 is a front elevational view of a fifth embodiment of a lighting control of the design according to the invention (a faceplate, which does not form part of the invention, is shown in phantom);

FIG. 18 is an isometric projection of the lighting control of FIG. 17 (a faceplate, which does not form part of the invention, is shown in phantom);

The top plan view, bottom plan view, left side elevational view, and right side elevational view of the lighting control of FIG. 17 are the same as FIG. 3, FIG. 4, FIG. 9, and FIG. 10, respectively;

FIG. 19 is a front elevational view of a sixth embodiment of a lighting control of the design according to the invention (a faceplate, which does not form part of the invention, is shown in phantom);

FIG. 20 is a left side elevational view of the lighting control of FIG. 19 (a faceplate and back cover, which do not form part of the invention, are shown in phantom);

The top plan view, bottom plan view, left side elevational view, and right side elevational view of the lighting control of FIG. 19 are the same as FIG. 3, FIG. 4, FIG. 13, and FIG. 14, respectively; and,

The rear of all six embodiments forms not part of the claimed design.

The broken line showing of environmental structure in all views of the drawing is for illustrative purposes only and forms not part of the claimed design.

1 Claim, 9 Drawing Sheets

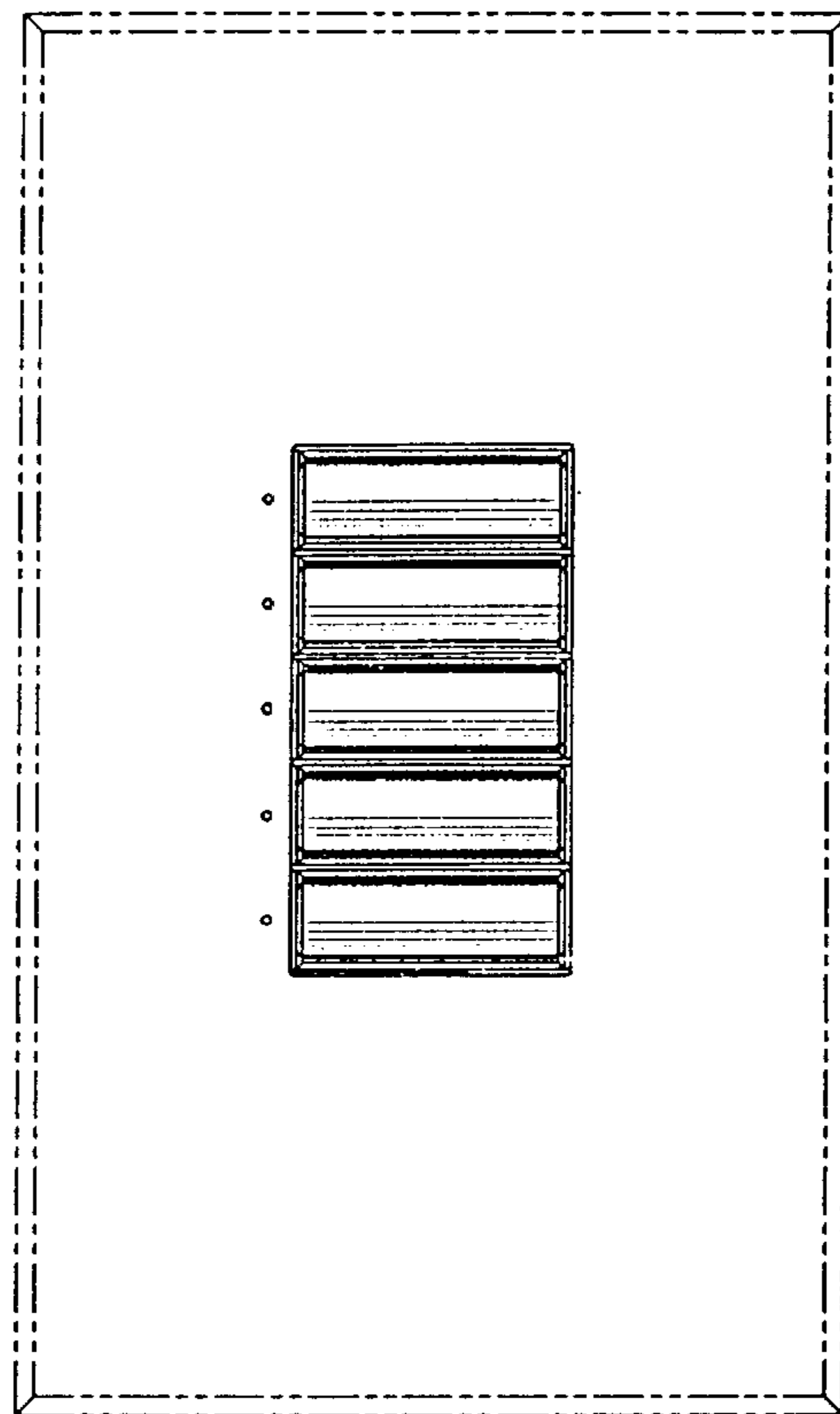


FIG. 1

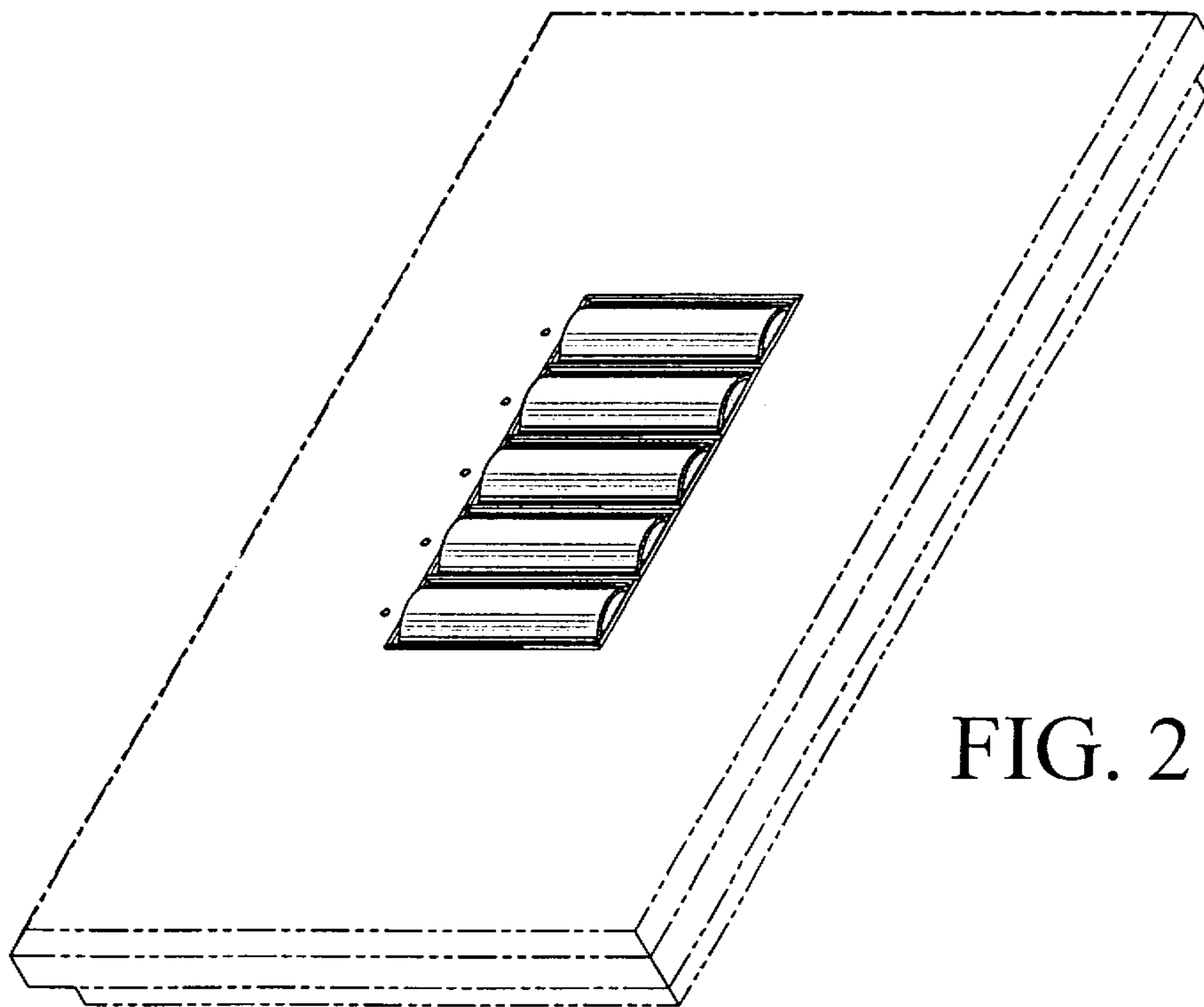


FIG. 2

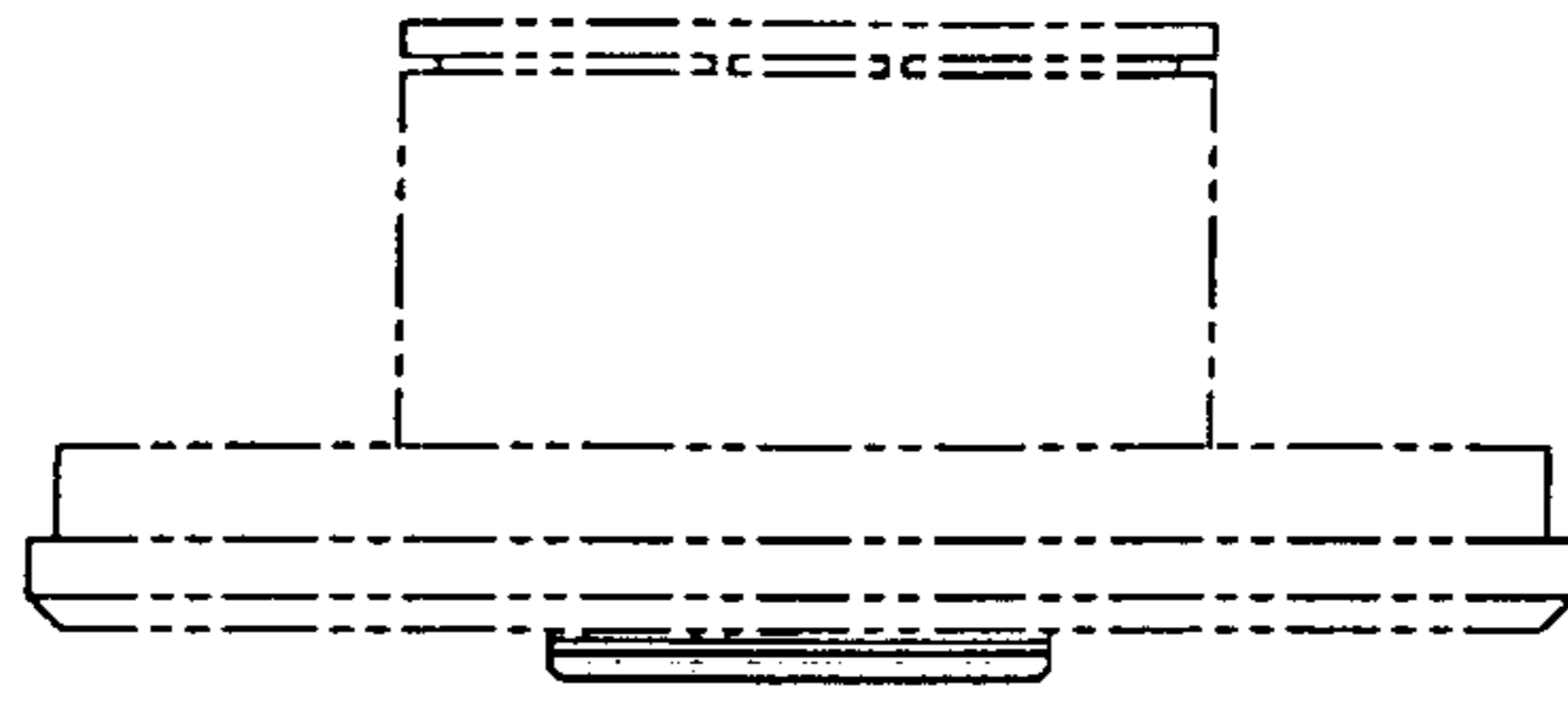


FIG. 3

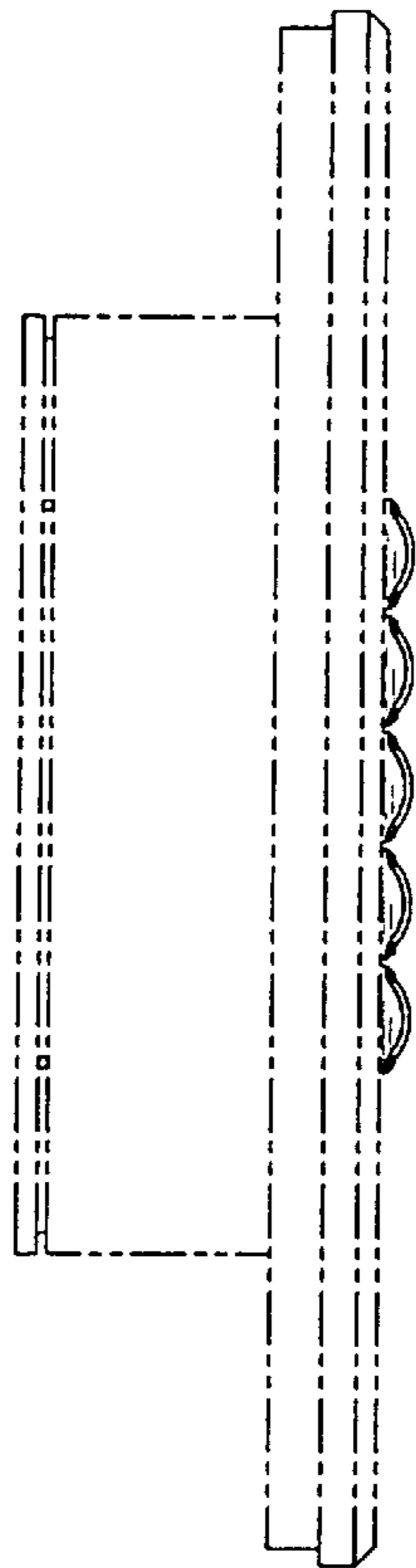


FIG. 5

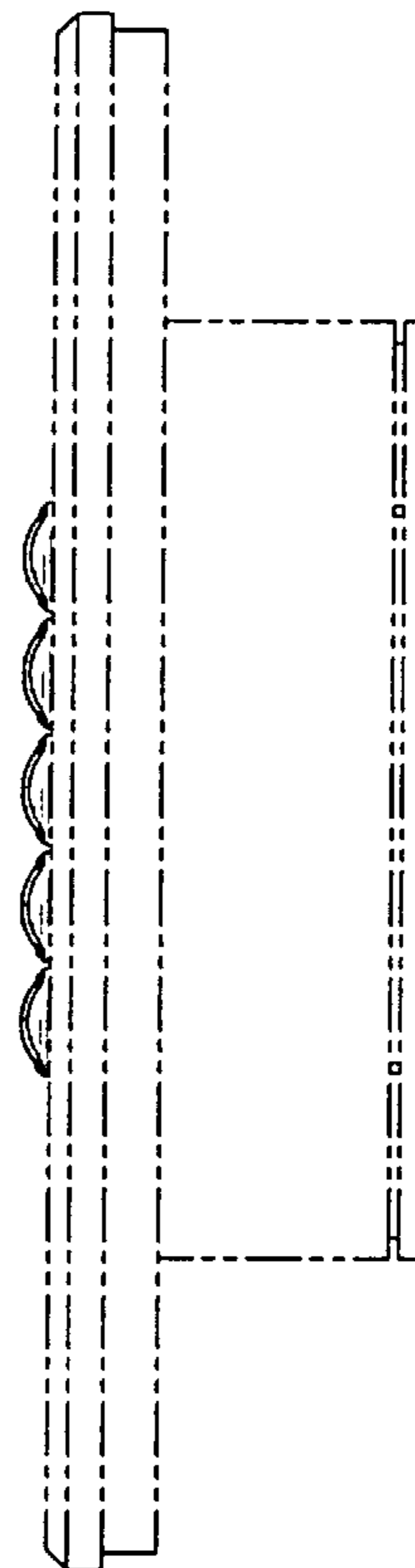


FIG. 6

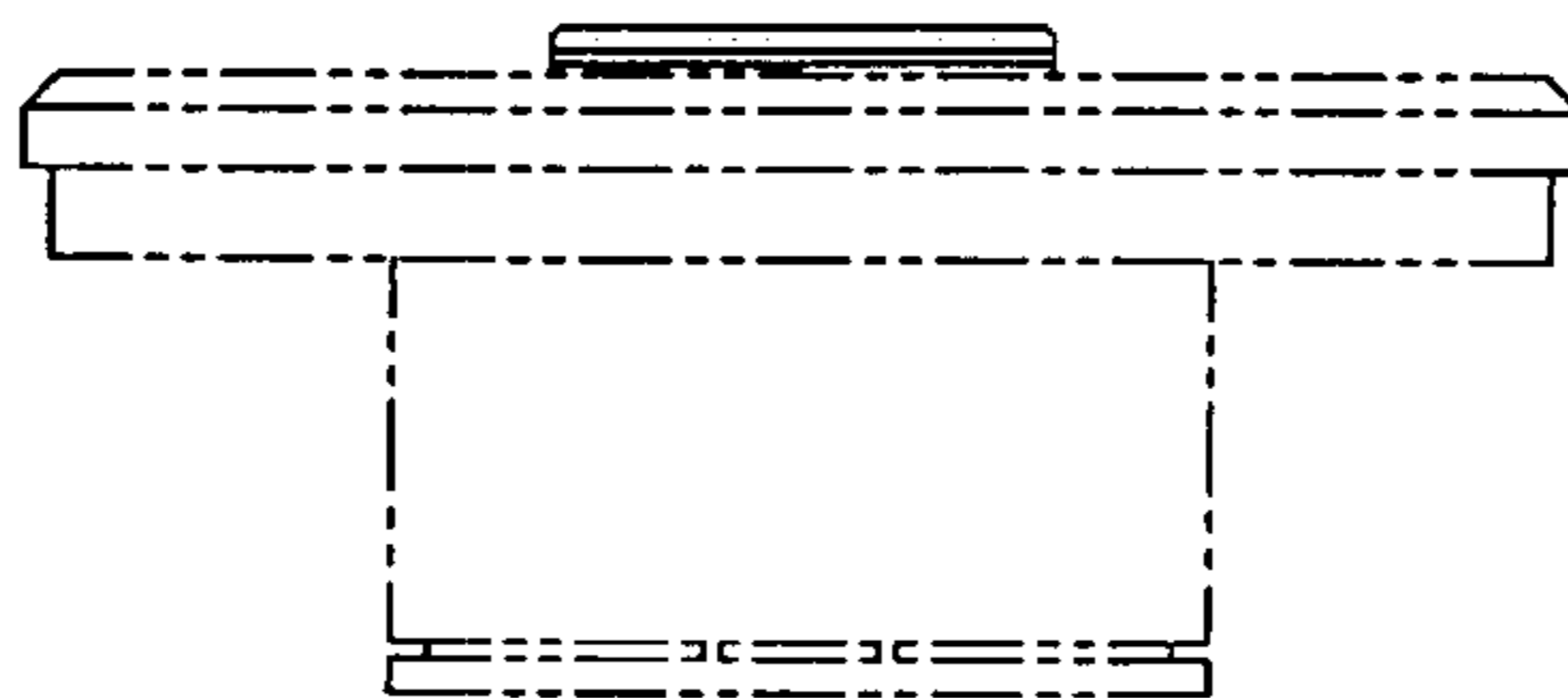


FIG. 4

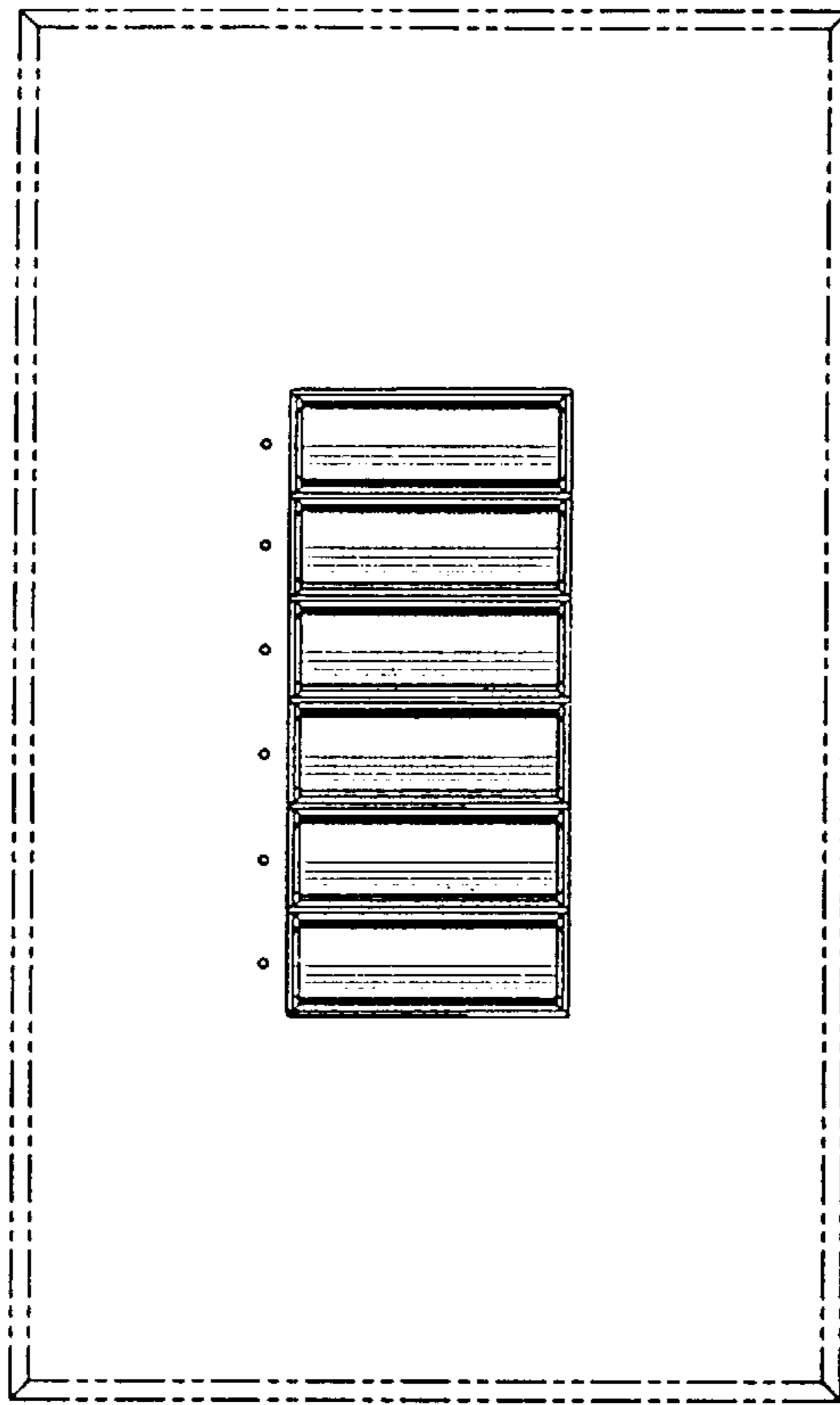


FIG. 7

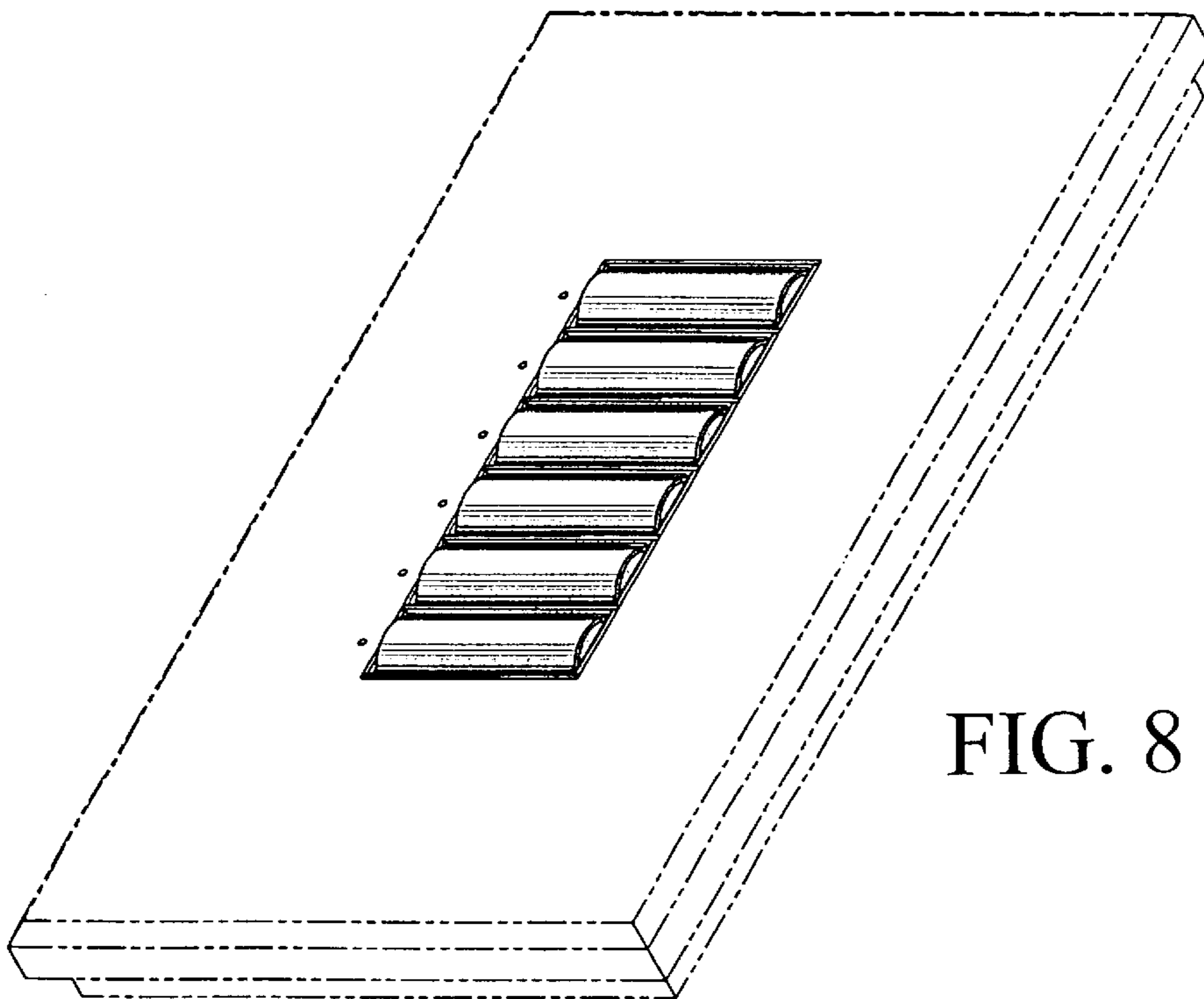


FIG. 8

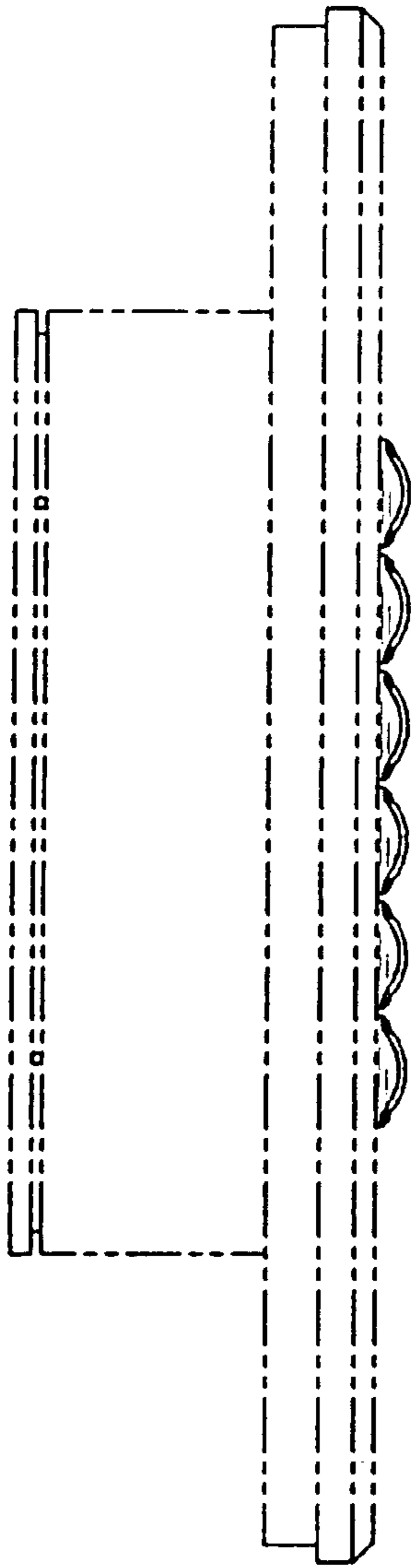


FIG. 9

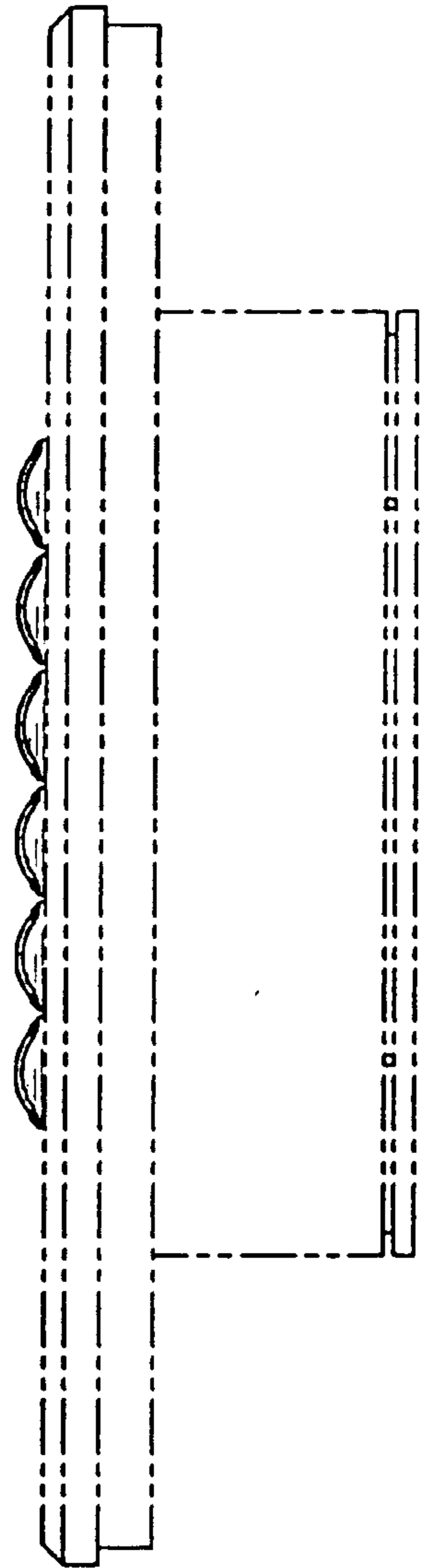


FIG. 10

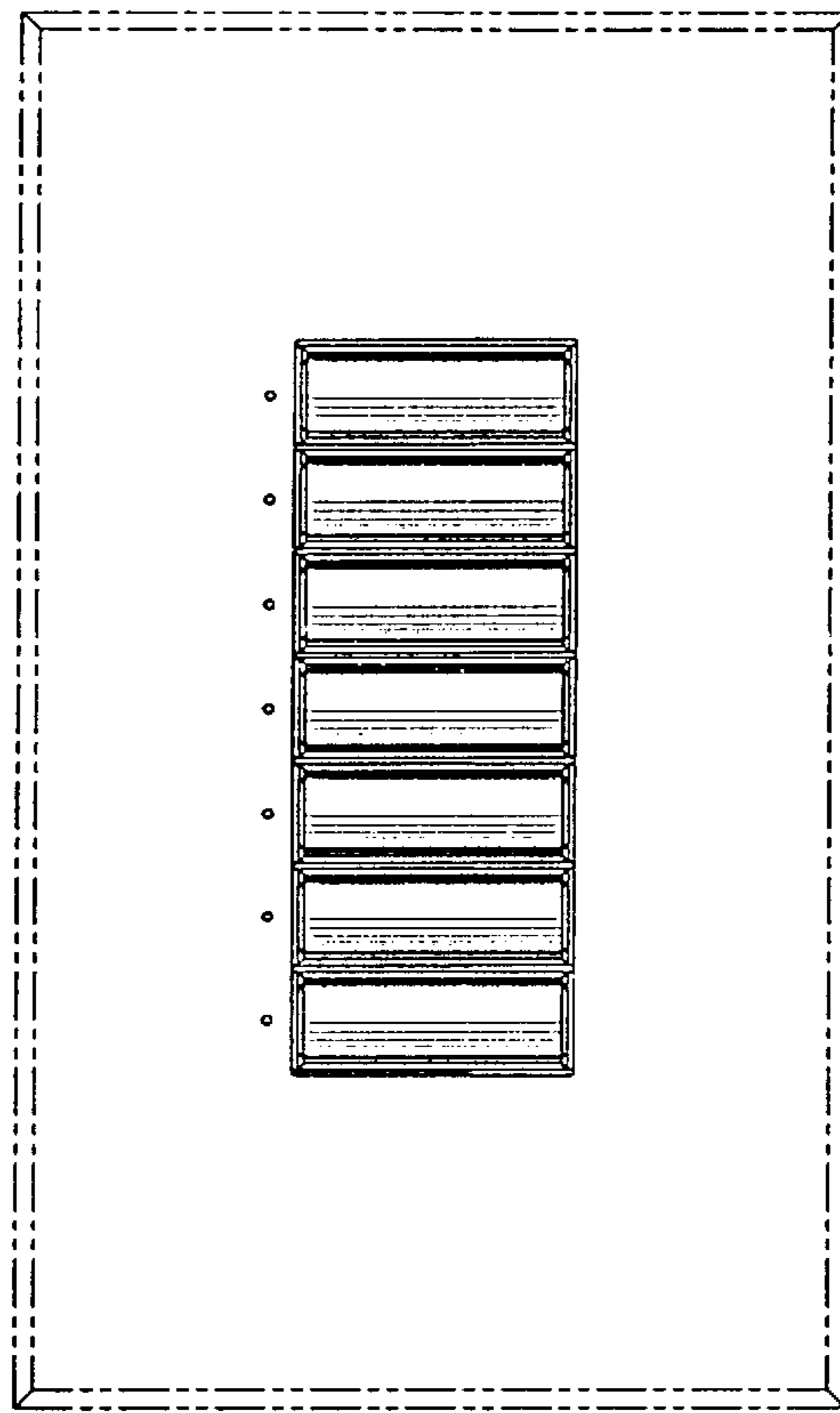


FIG. 11

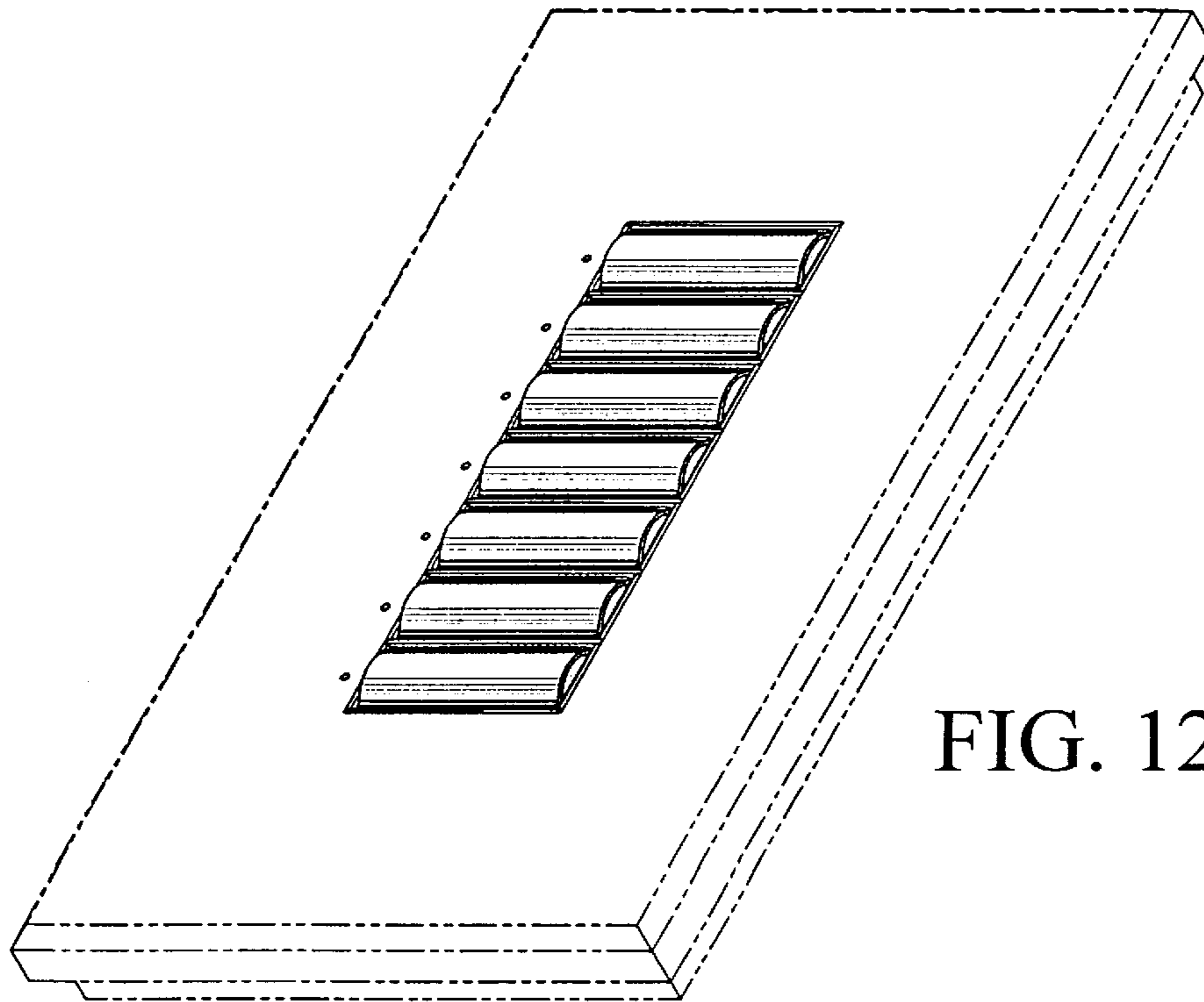


FIG. 12

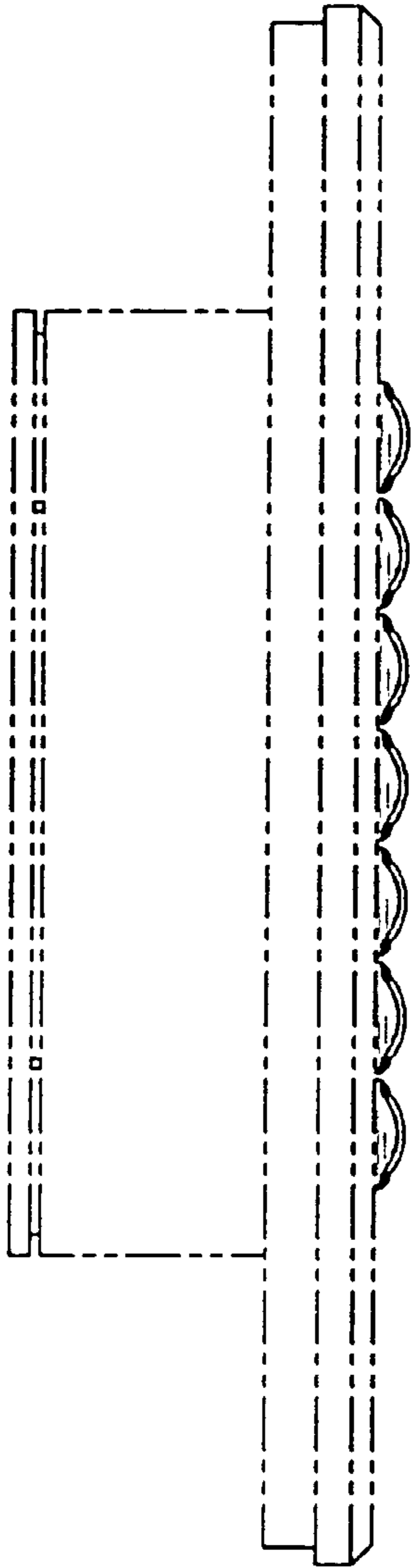


FIG. 13

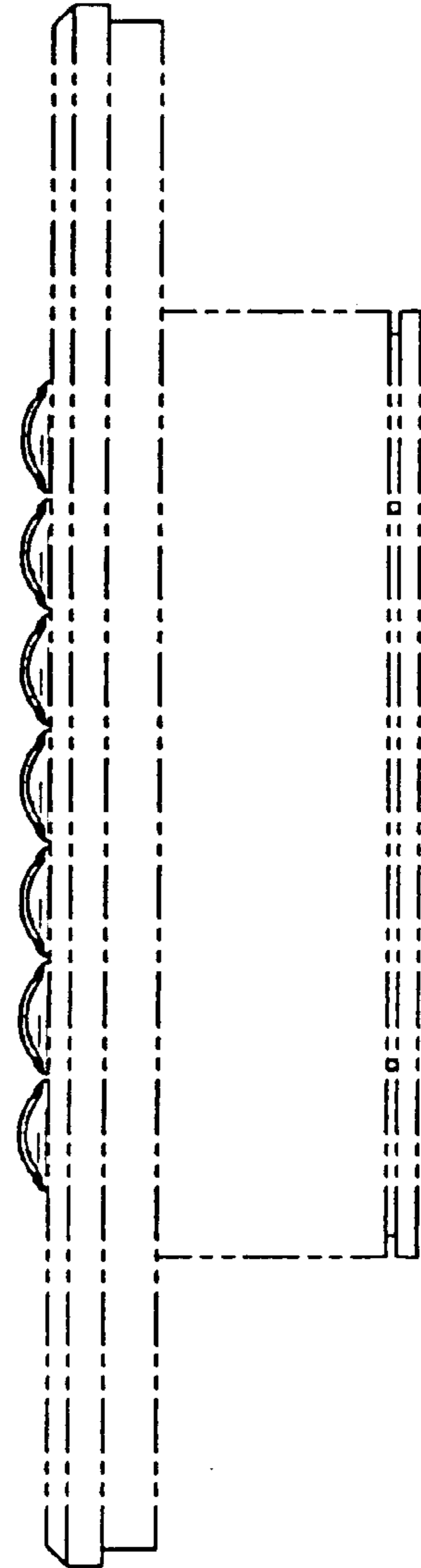


FIG. 14

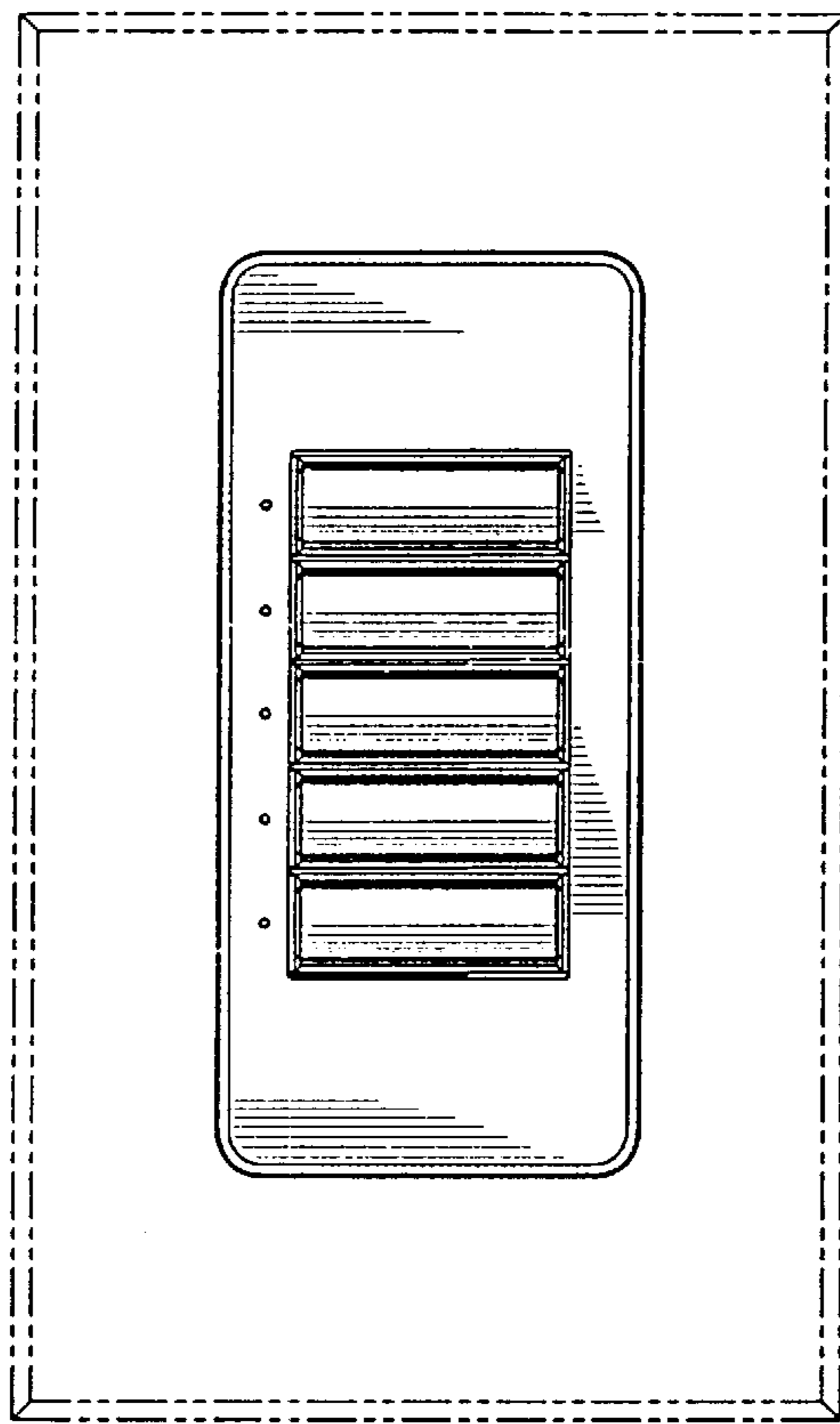


FIG. 15

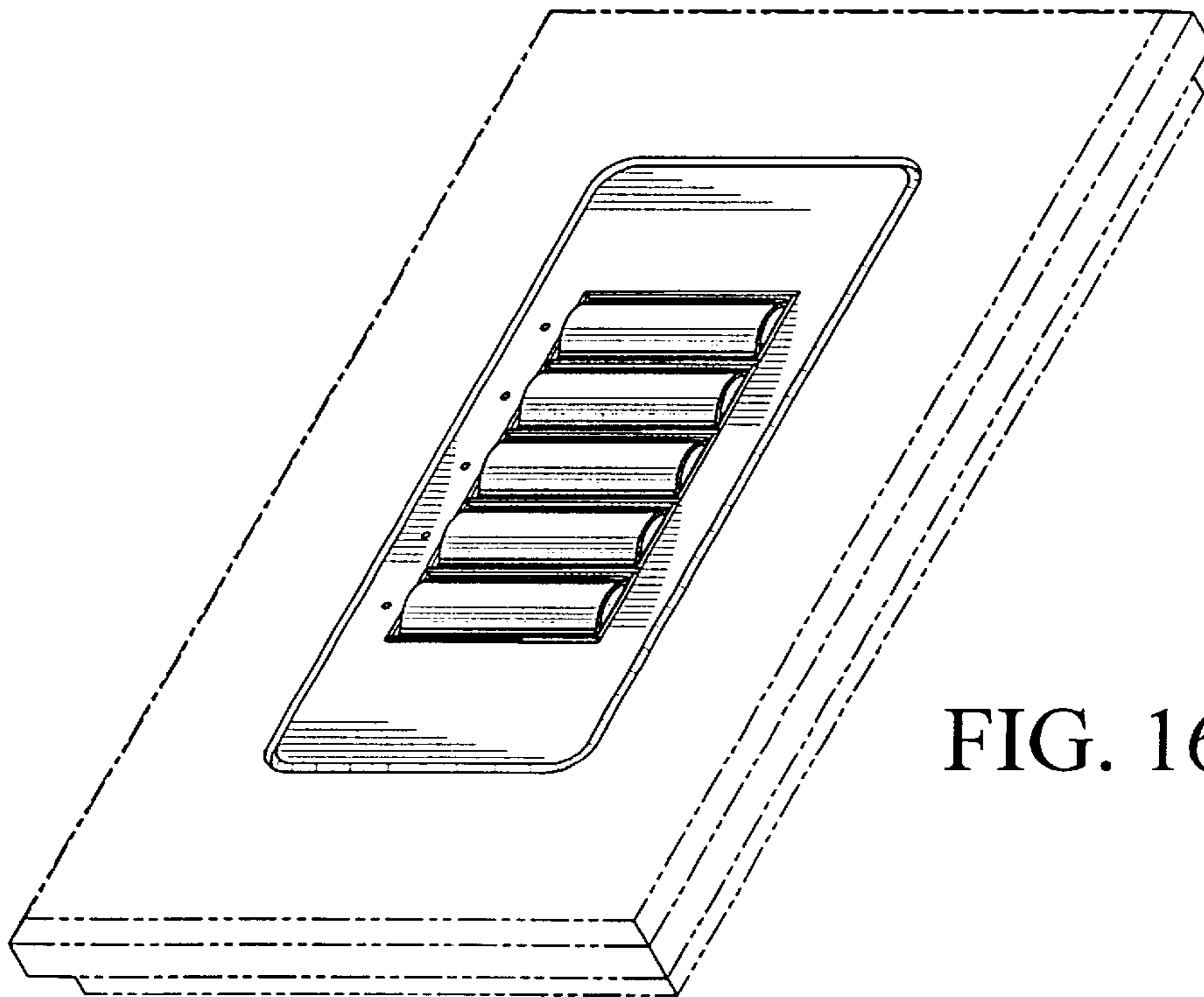


FIG. 16

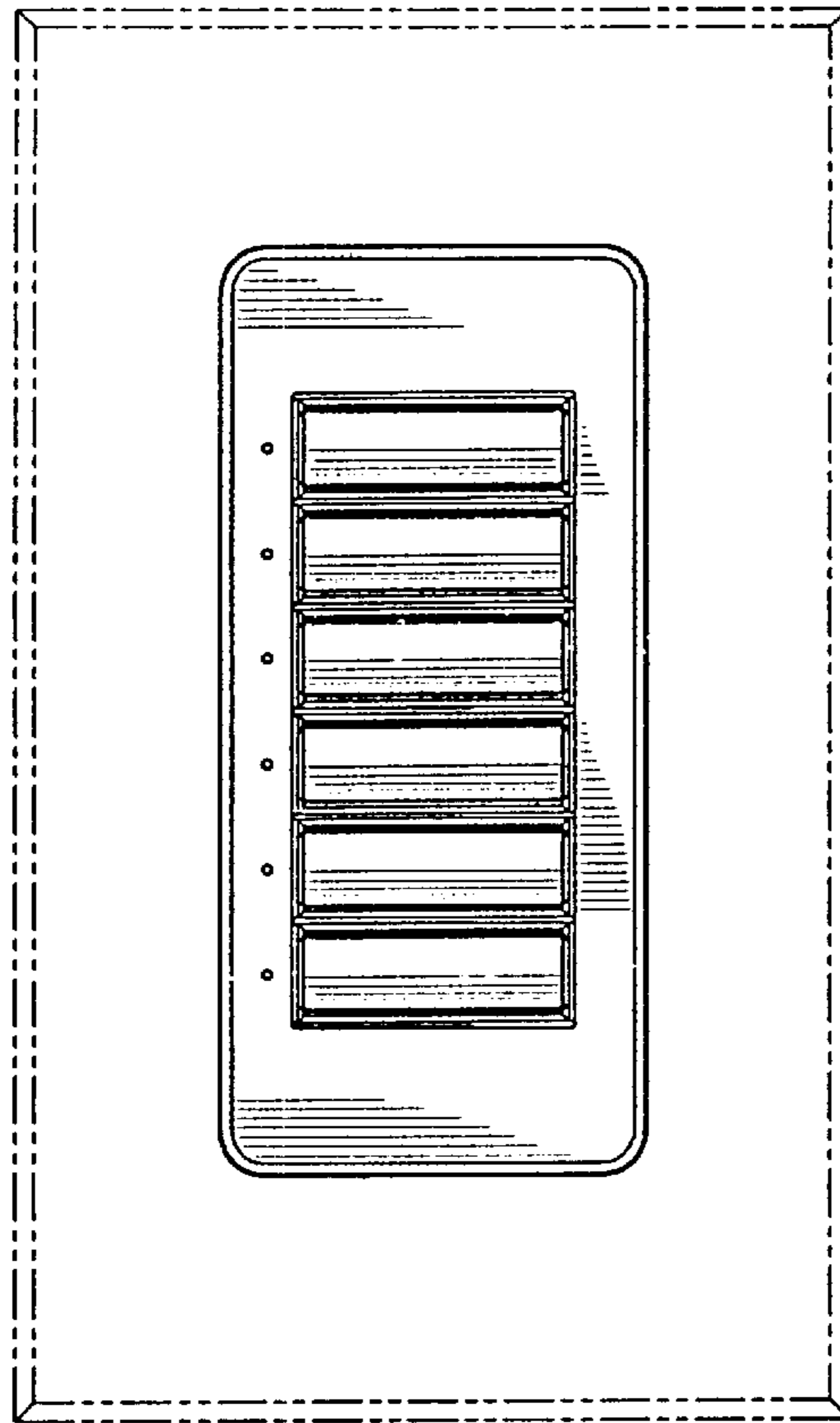


FIG. 17

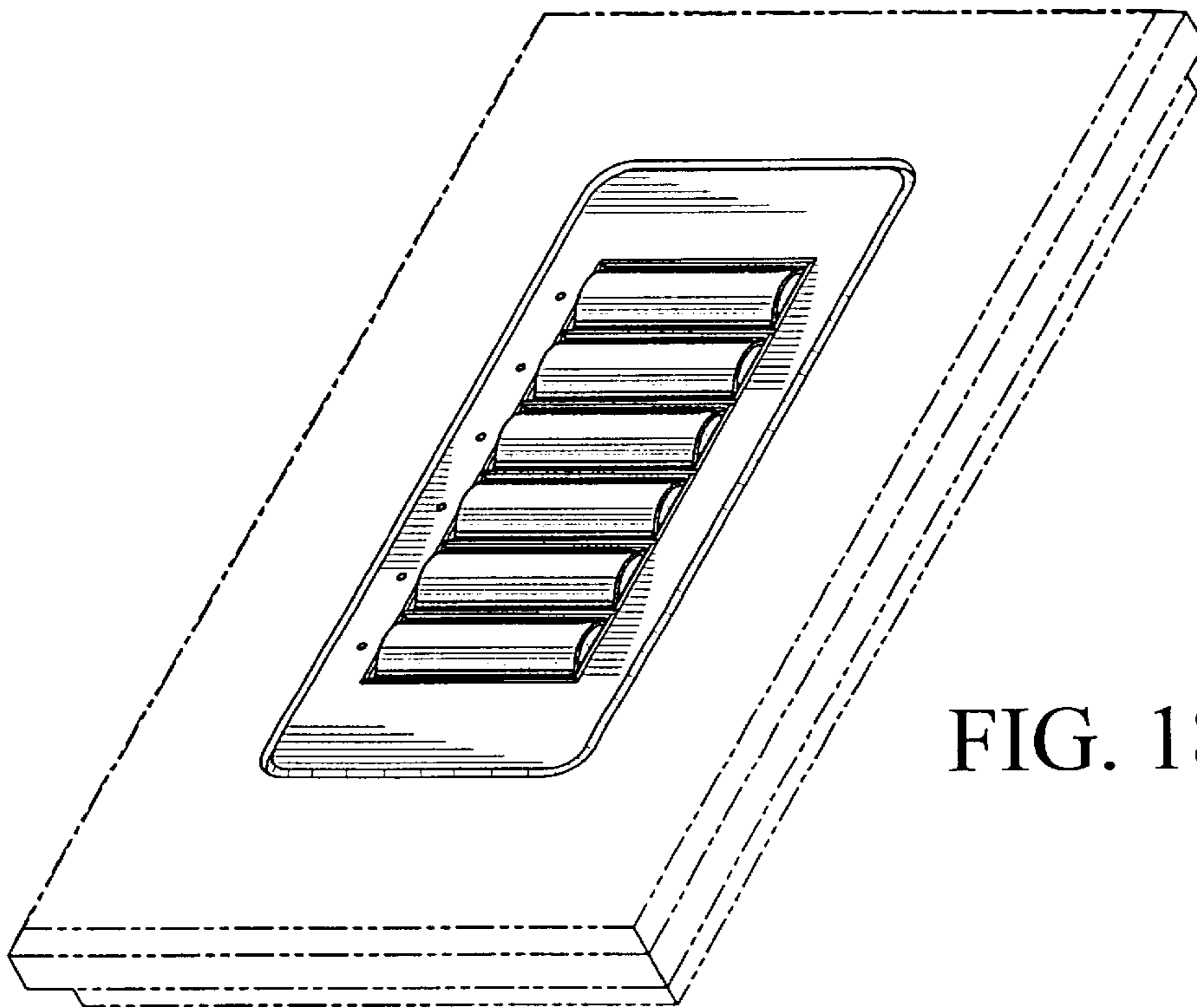


FIG. 18

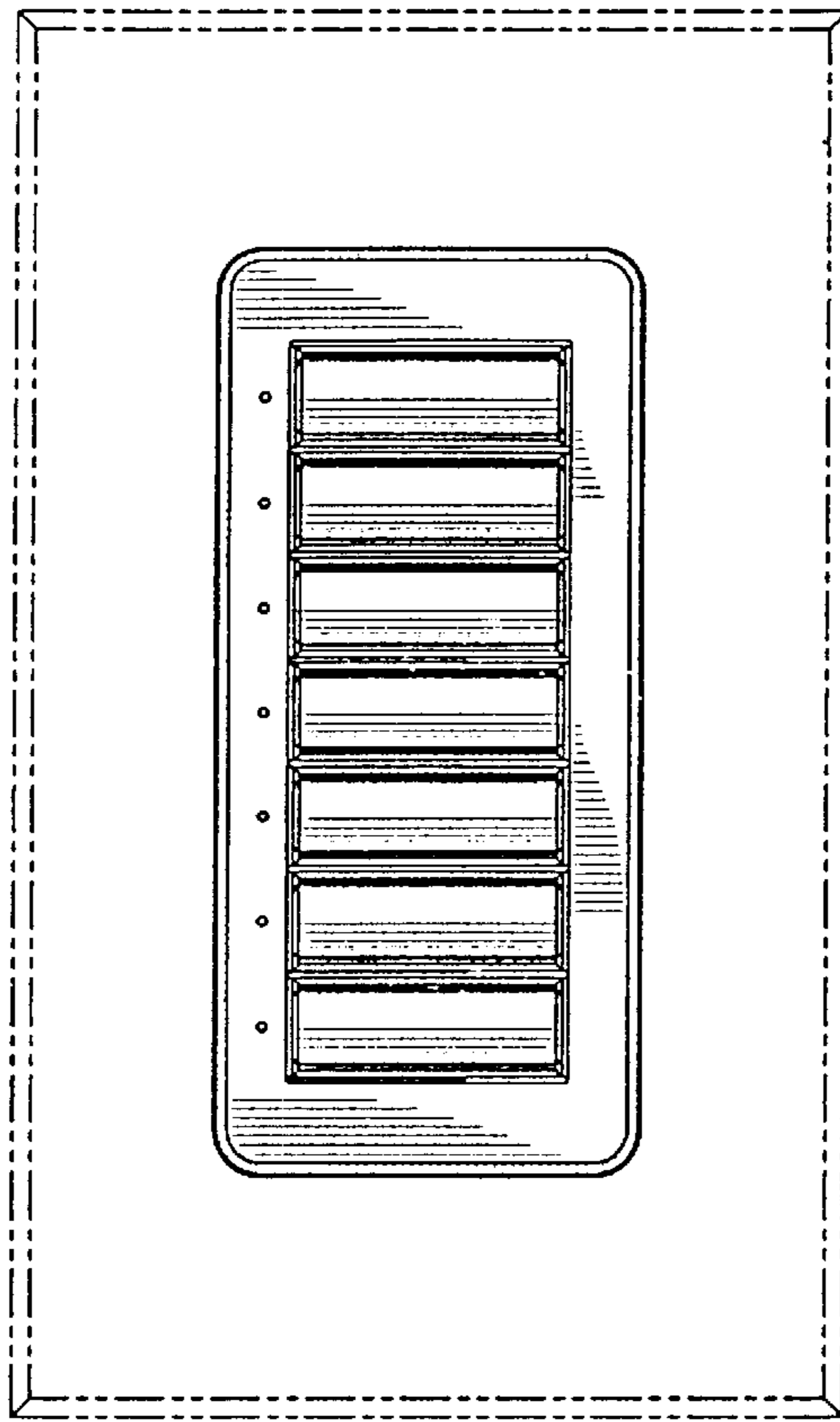


FIG. 19

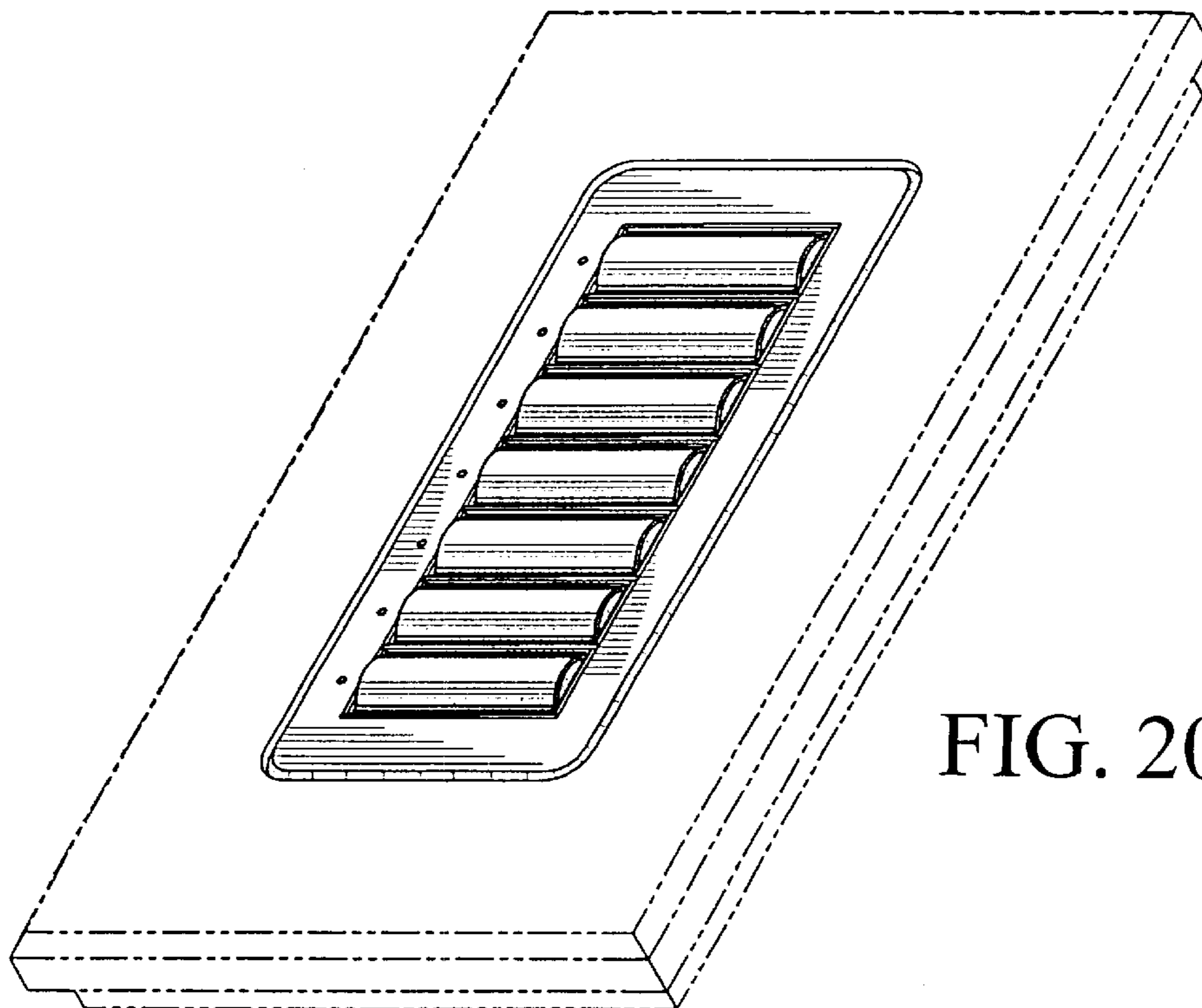


FIG. 20