



US00D465458S

(12) **United States Design Patent**
Zhang et al.

(10) **Patent No.:** **US D465,458 S**

(45) **Date of Patent:** **** Nov. 12, 2002**

(54) **ELECTRICAL CONNECTOR**

(75) Inventors: **Guo Zeng Zhang**, Kunsan (CN);
GuangXing Shi, Kunsan (CN)

(73) Assignee: **Hon Hai Precision Ind. Co., Ltd.**,
Taipei Hsien (TW)

(**) Term: **14 Years**

(21) Appl. No.: **29/151,736**

(22) Filed: **Dec. 5, 2001**

(51) **LOC (7) Cl.** **13-03**

(52) **U.S. Cl.** **D13/147**

(58) **Field of Search** D13/146, 147;
439/607, 609, 939

(56) **References Cited**

U.S. PATENT DOCUMENTS

D260,511 S	*	9/1981	Avramovich	D13/146
4,650,270 A	*	3/1987	Tajima et al.	439/607
D311,724 S	*	10/1990	Huang	D13/146
5,007,862 A	*	4/1991	Defibaugh et al.	439/607
D430,109 S	*	8/2000	Arai	D13/147

D433,664 S	*	11/2000	Arai	D13/146
D436,925 S	*	1/2001	Arai	D13/147
D440,943 S	*	4/2001	Arai	D13/147
D441,344 S	*	5/2001	Arai	D13/147
D441,345 S	*	5/2001	Arai	D13/147
D448,349 S	*	9/2001	Arai	D13/147

* cited by examiner

Primary Examiner—Joel Sincavage

(74) *Attorney, Agent, or Firm*—Wei Te Chung

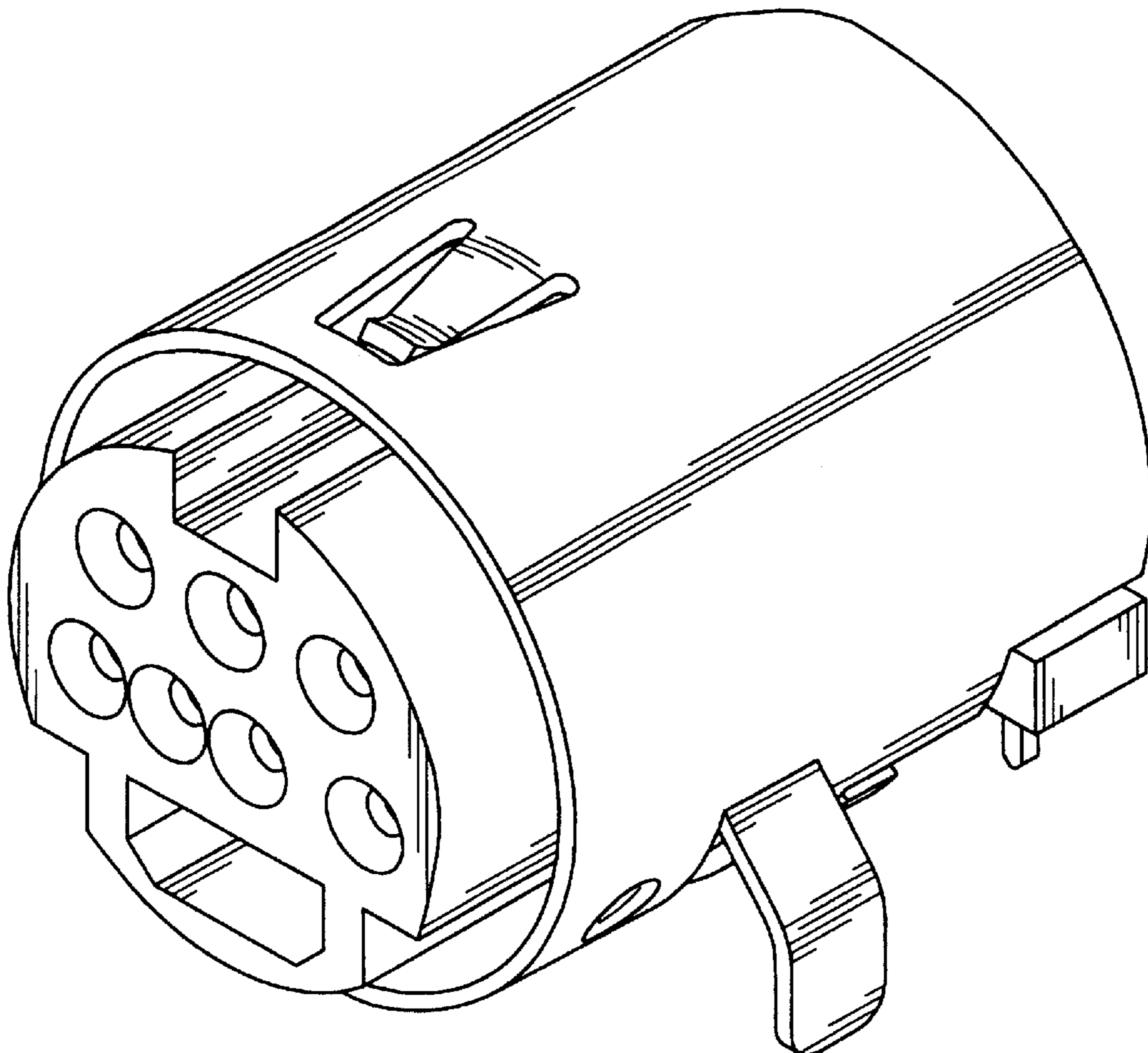
(57) **CLAIM**

The ornamental design for an electrical connector, as shown.

DESCRIPTION

FIG. 1 is a front, top and right side perspective view of an electrical connector showing our new design; FIG. 2 is a front elevational view thereof; FIG. 3 is a rear elevational view thereof; FIG. 4 is a left side elevational view thereof; FIG. 5 is a right side elevational view thereof; FIG. 6 is a top plan view thereof; and, FIG. 7 is a bottom plan view thereof.

1 Claim, 7 Drawing Sheets



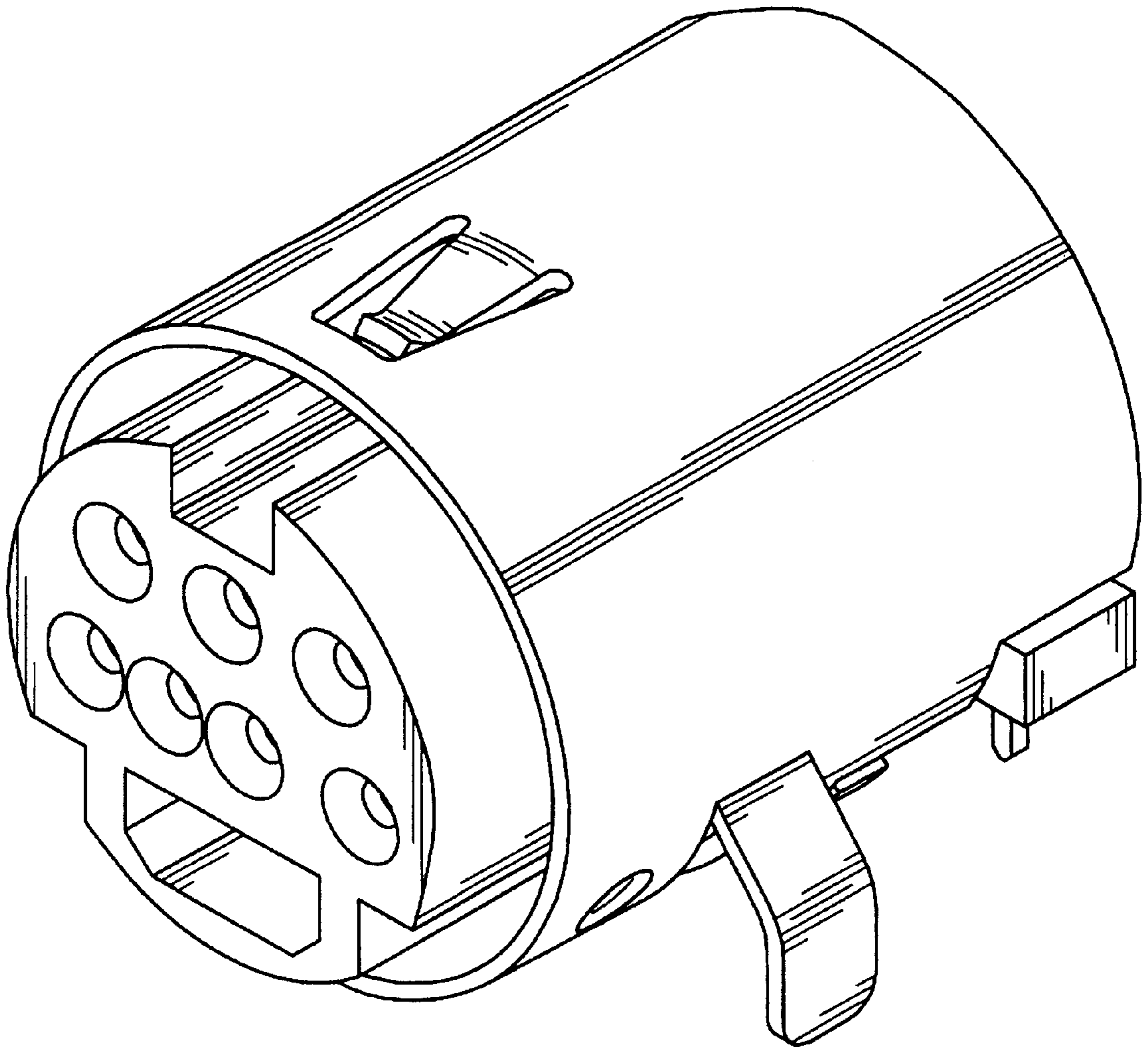


FIG. 1

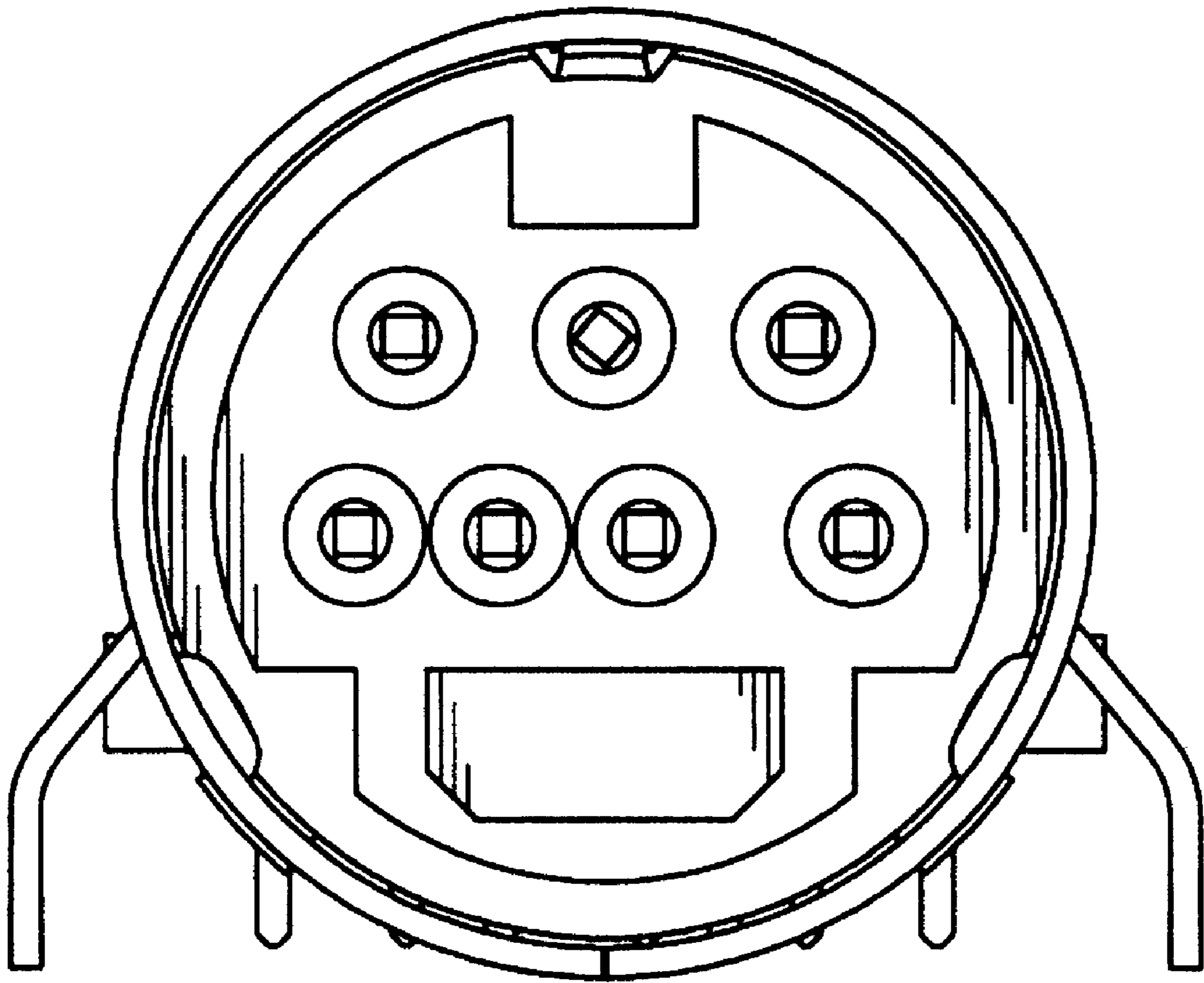


FIG. 2

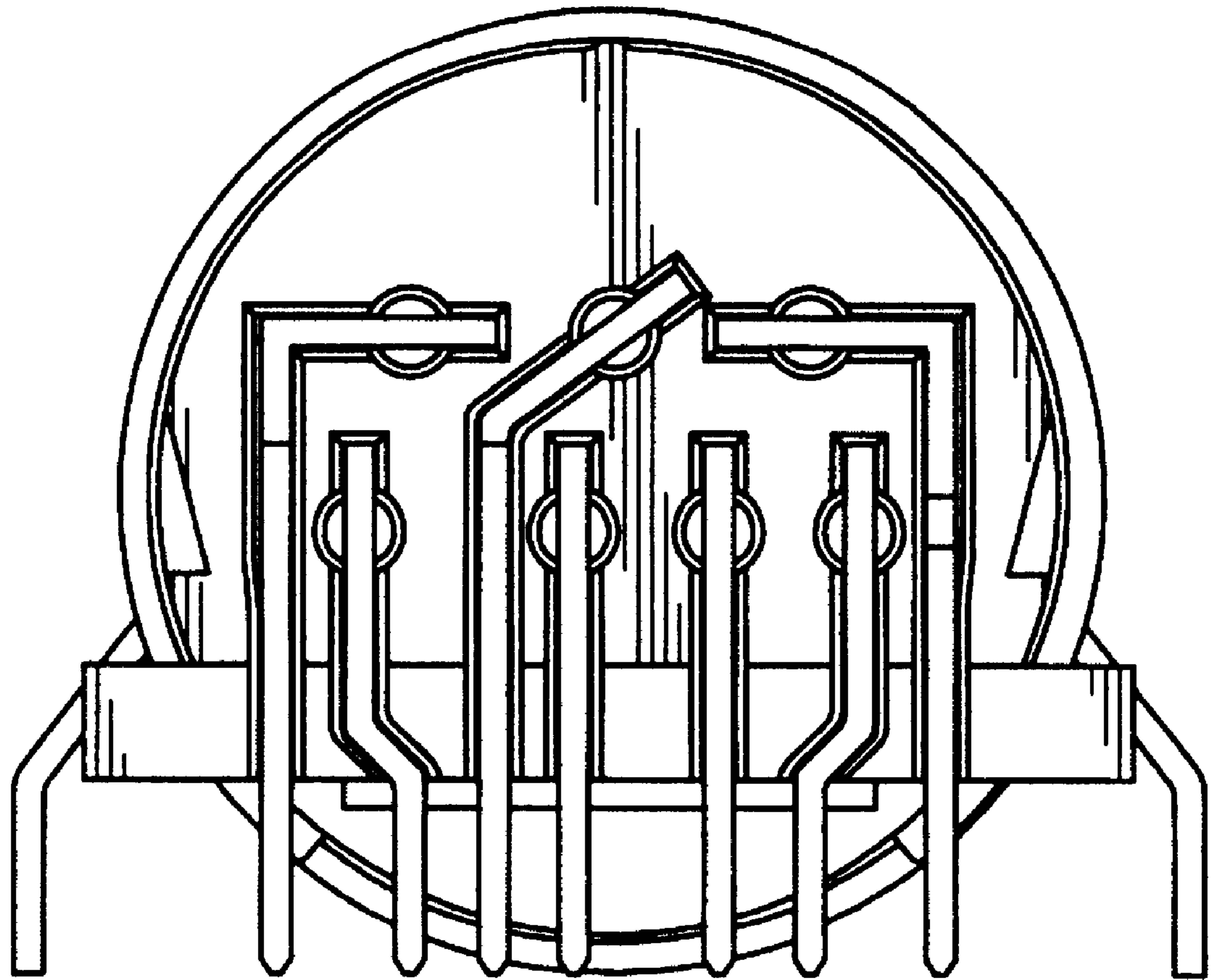


FIG. 3

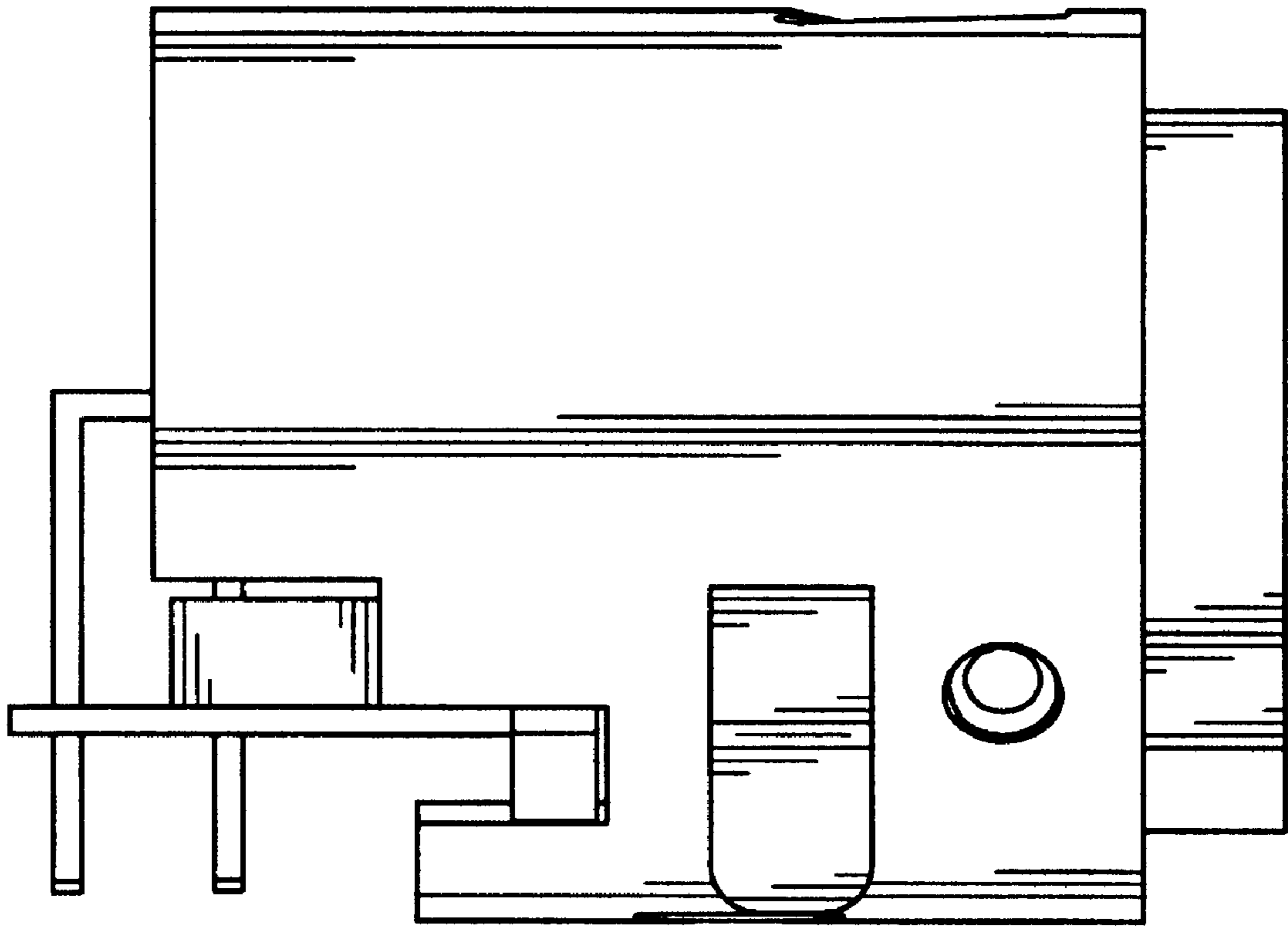


FIG. 4

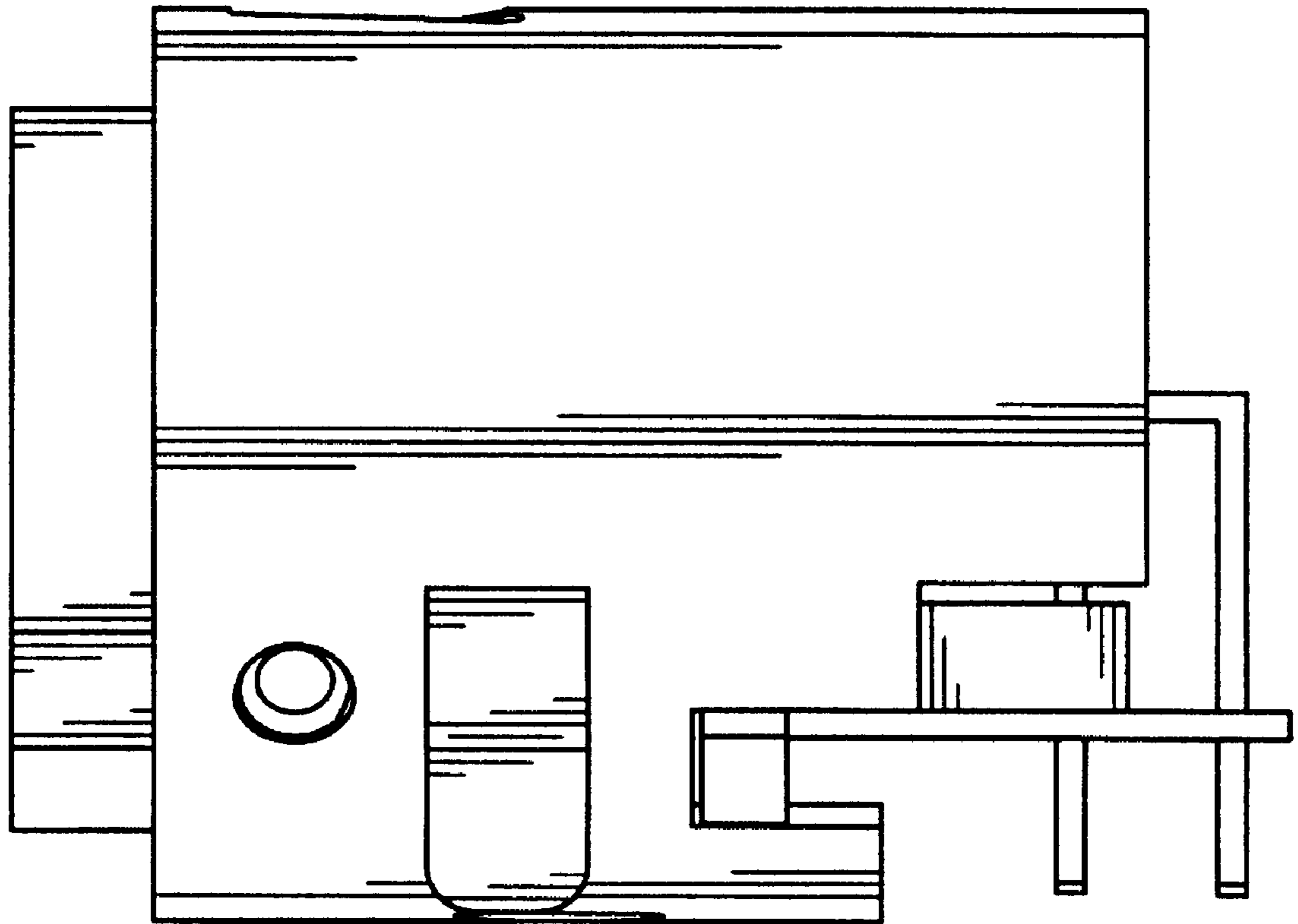


FIG. 5

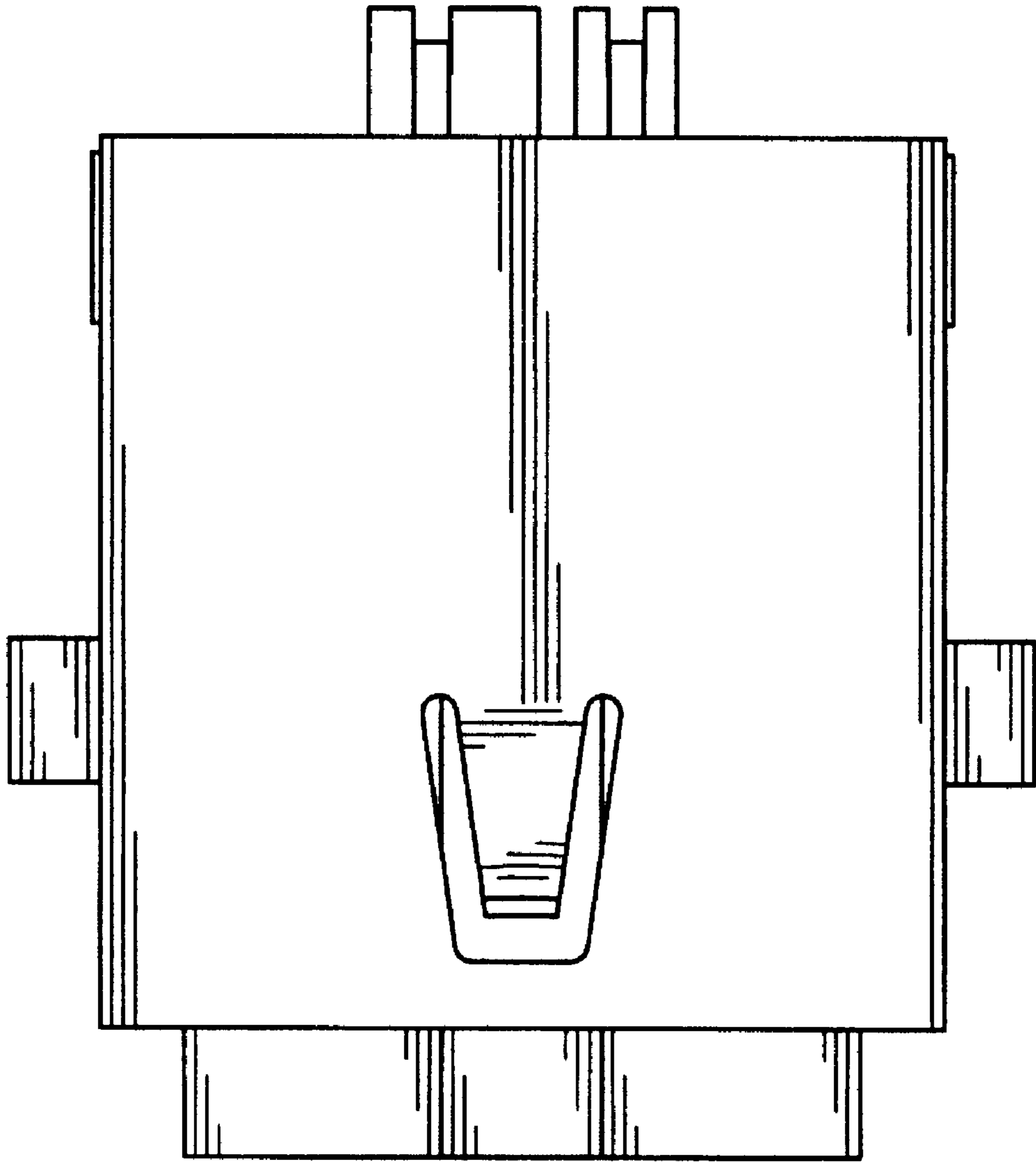


FIG. 6

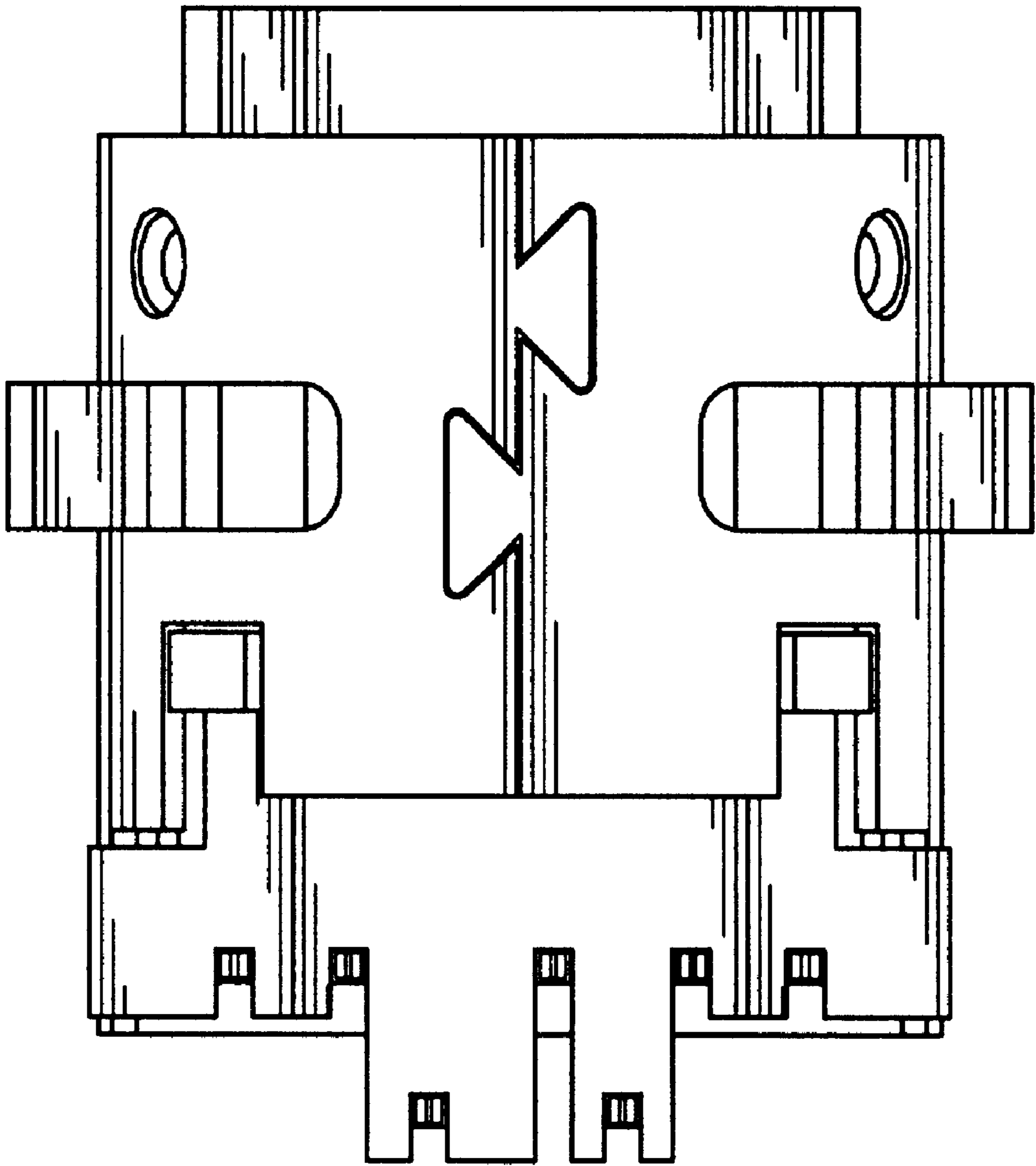


FIG. 7