



US00D465456S

(12) **United States Design Patent**
Lee

(10) **Patent No.:** **US D465,456 S**

(45) **Date of Patent:** **** Nov. 12, 2002**

(54) **PRO POWER CENTER**

(75) Inventor: **Kendrew Lee**, Fremont, CA (US)

(73) Assignee: **Monster Cable Products, Inc.**,
Brisbane, CA (US)

(**) Term: **14 Years**

(21) Appl. No.: **29/135,120**

(22) Filed: **Jan. 5, 2001**

(51) **LOC (7) Cl.** **13-02**

(52) **U.S. Cl.** **D13/123**

(58) **Field of Search** D13/110, 123,
D13/164; D14/188; 361/724, 797

(56) **References Cited**

U.S. PATENT DOCUMENTS

D161,636 S	*	1/1951	Manning	D14/496
D212,328 S	*	10/1968	Pogue	D13/164
D219,026 S	*	10/1970	Shmurak et al.	D13/110
4,012,089 A	*	3/1977	Ward	312/236
D263,395 S	*	3/1982	Karas et al.	D14/100
D272,151 S	*	1/1984	Nomura et al.	D14/198
D284,081 S	*	6/1986	Taylor	D14/257
D316,716 S	*	5/1991	Nagata	D14/188
D338,671 S	*	8/1993	Ito et al.	D14/160
D339,101 S	*	9/1993	Delamoreaux et al.	D13/110
D346,148 S	*	4/1994	Chen	D13/110
D360,191 S	*	7/1995	Carl et al.	D13/164 X
D368,261 S	*	3/1996	Shushurin	D14/188
D370,677 S	*	6/1996	Olson	D14/188
D373,589 S	*	9/1996	Peterson et al.	D14/188 X
5,567,176 A	*	10/1996	Chiou	D13/110 X

D381,317 S	*	7/1997	Yu	D13/164 X
D392,615 S	*	3/1998	Basile	D13/123
D395,654 S	*	6/1998	Mackie et al.	D14/188
D402,626 S	*	12/1998	Fujita et al.	D13/110
D404,396 S	*	1/1999	Mackie et al.	D14/188
D418,136 S	*	12/1999	Kizawa	D14/188

* cited by examiner

Primary Examiner—Joel Sincavage

(74) *Attorney, Agent, or Firm*—LaRiviere, Grubman & Payne, LLP

(57) **CLAIM**

The ornamental design for a pro power center, as shown in the accompanying drawings.

DESCRIPTION

A portion of the disclosure of this design patent document contains material which is subject to copyright protection. The copyright owner has no objection to the facsimile reproduction by anyone of the patent document or the patent disclosure, as it appears in the U.S. Patent and Trademark Office patent files or records, but otherwise reserves all copyright rights whatsoever.

FIG. 1 is a perspective view of a pro power center, in accordance with the present invention.

FIG. 2 is a plan view thereof.

FIG. 3 is an underside view thereof.

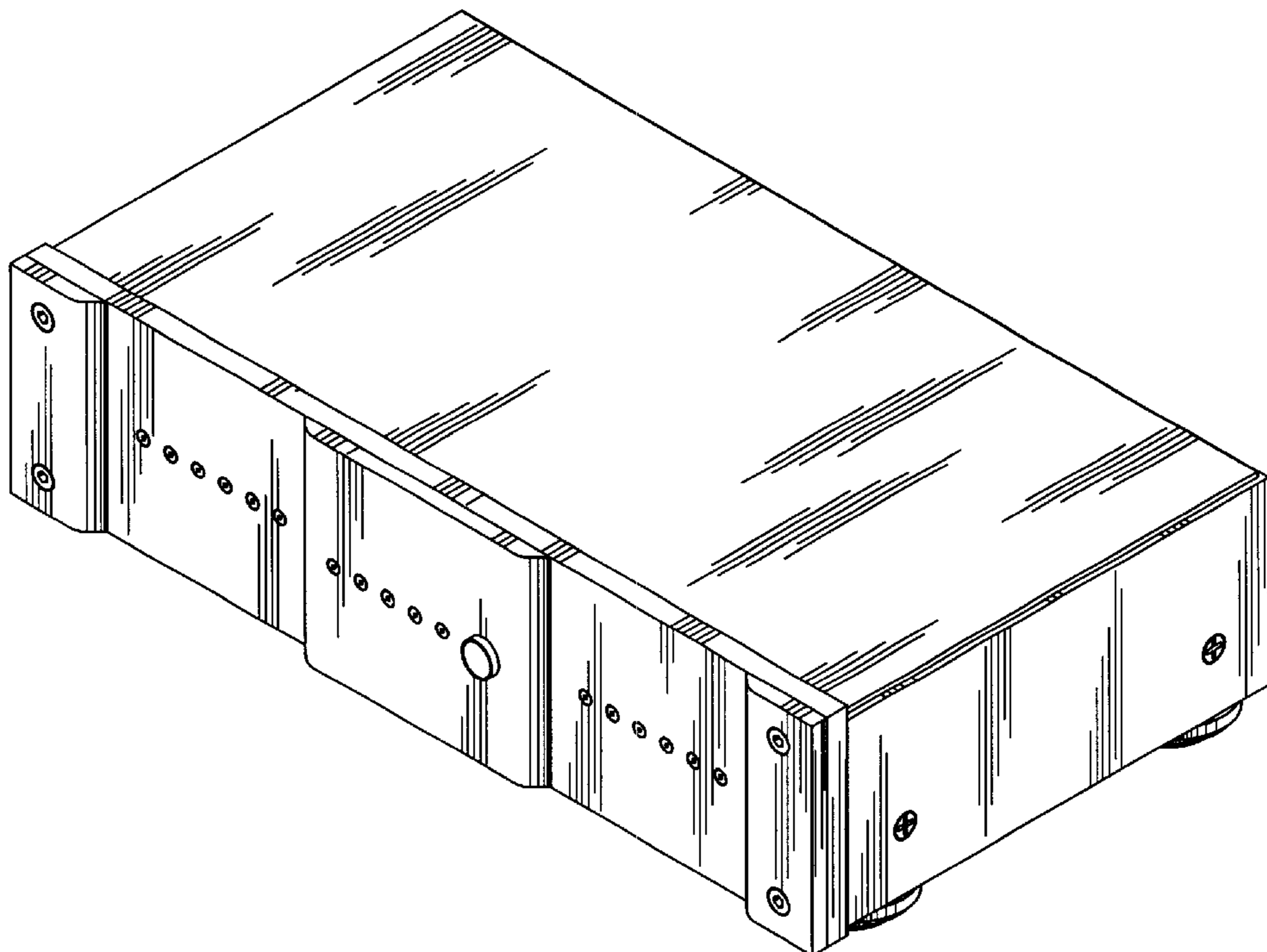
FIG. 4 is a side view thereof.

FIG. 5 is a corresponding side view thereof.

FIG. 6 is a rear view thereof; and,

FIG. 7 is a frontal view thereof.

1 Claim, 3 Drawing Sheets



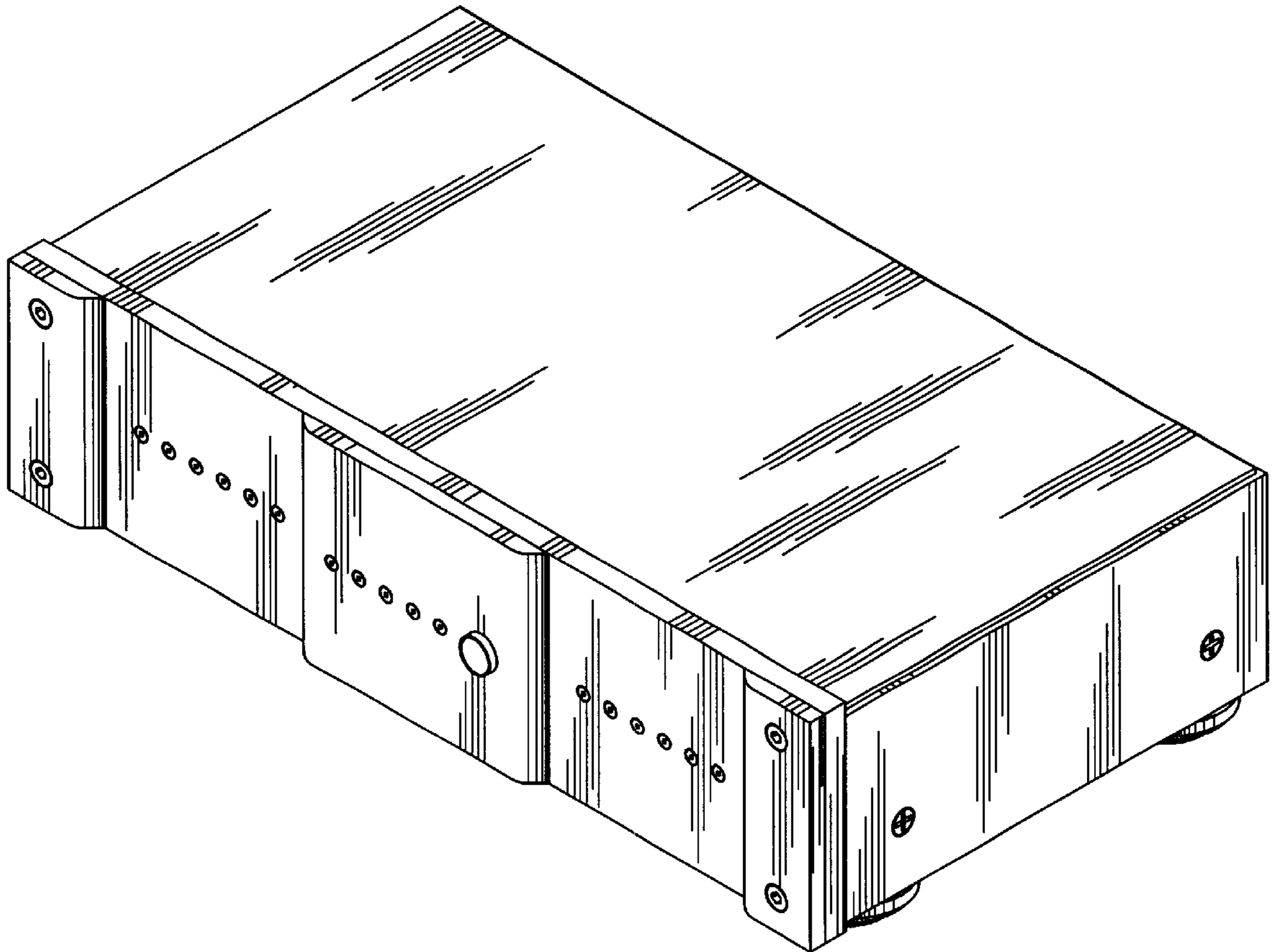


Figure 1



Figure 2



Figure 3

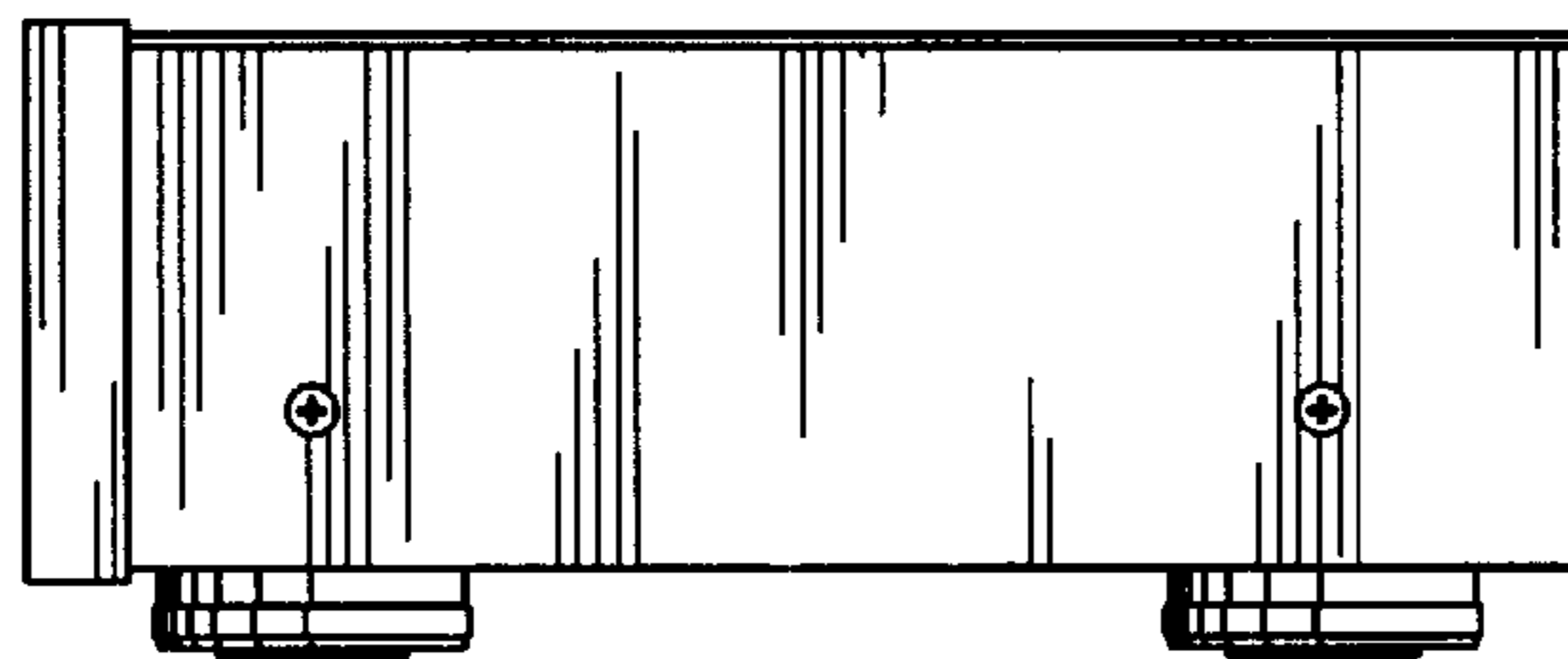


Figure 4

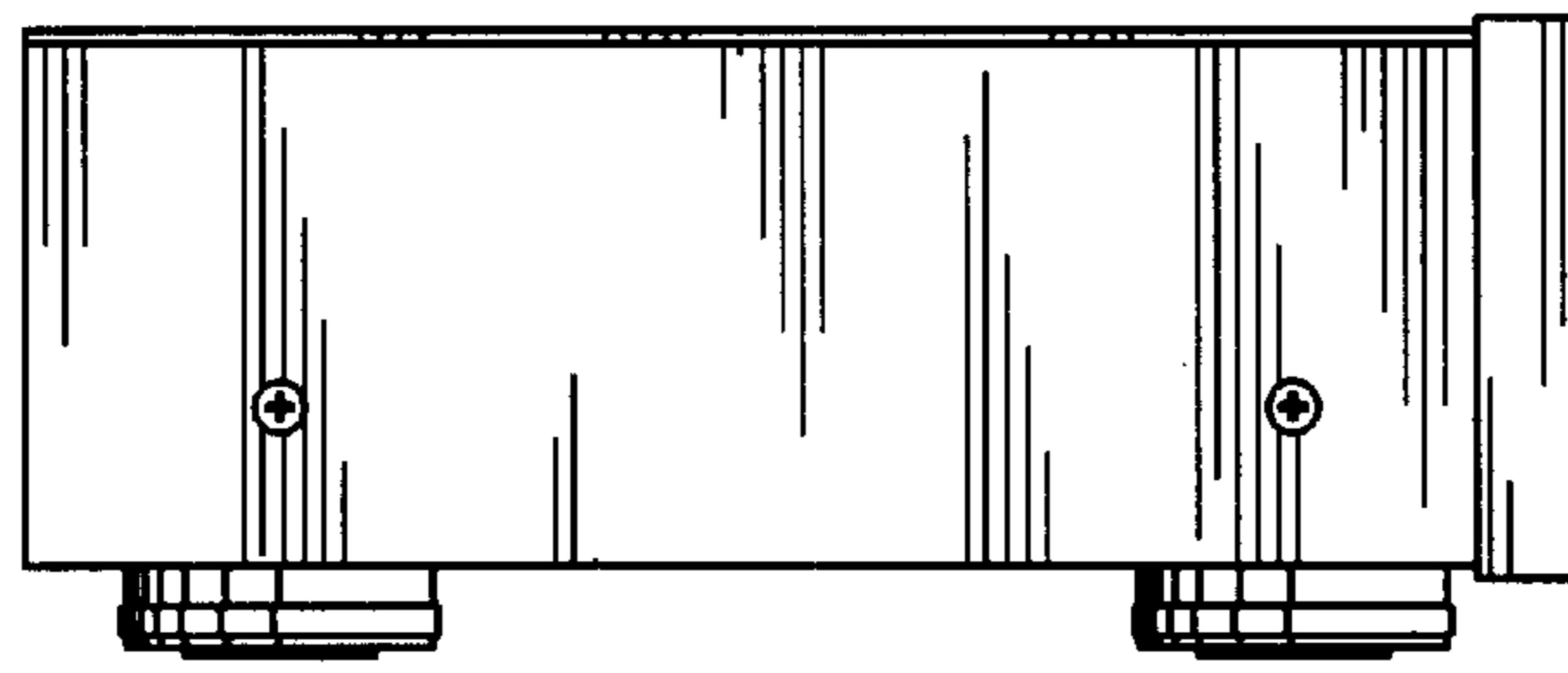


Figure 5

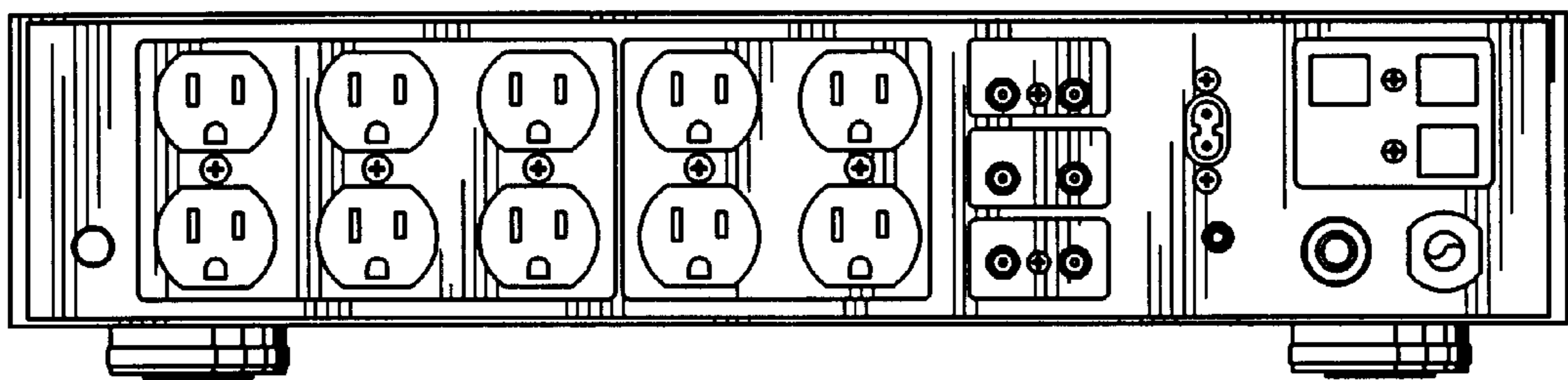


Figure 6

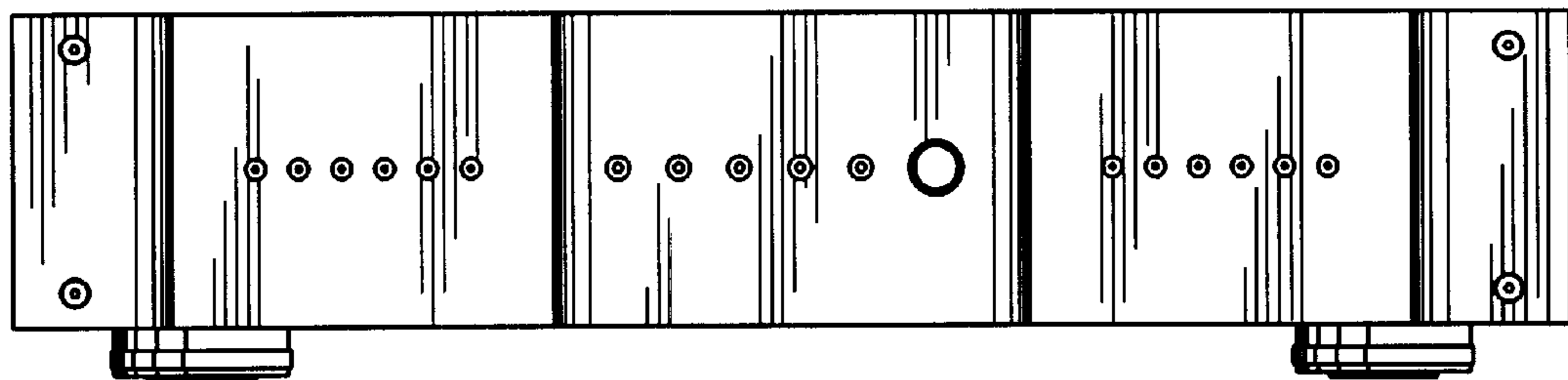


Figure 7