



US00D465454S

(12) **United States Design Patent**
Kim

(10) **Patent No.:** **US D465,454 S**

(45) **Date of Patent:** **** Nov. 12, 2002**

(54) **TERMINAL FOR STORAGE BATTERY**

(75) Inventor: **Hwan-Chang Kim**, 38/5 495-11
Wueolpi-dong, Ansan-shi, Kyunggi-do,
428-855 (KR)

(73) Assignee: **Hwan-Chang Kim (KR)**

(**) Term: **14 Years**

(21) Appl. No.: **29/139,035**

(22) Filed: **Mar. 23, 2001**

(30) **Foreign Application Priority Data**

Jan. 5, 2001 (KR) 01-259

(51) **LOC (7) Cl.** **13-03**

(52) **U.S. Cl.** **D13/120**

(58) **Field of Search** D13/120; 439/762,
439/763, 764, 907

(56) **References Cited**

U.S. PATENT DOCUMENTS

D316,398 S * 4/1991 Hill D13/120
5,492,780 A * 2/1996 Okada 439/762 X
D371,539 S * 7/1996 O’Glee D13/120
5,595,511 A * 1/1997 Okada 439/762

5,597,331 A * 1/1997 Gable et al. 439/763 X
5,733,152 A * 3/1998 Freitag 439/763
5,738,552 A * 4/1998 Halbach et al. 439/762
5,738,553 A * 4/1998 Pilotti 439/763
5,759,055 A * 6/1998 Colantuano et al. 439/907 X
5,851,129 A * 12/1998 Matsunaga et al. 439/764
5,879,202 A * 3/1999 Zhao 439/762

* cited by examiner

Primary Examiner—Joel Sincavage

(74) *Attorney, Agent, or Firm*—Howrey Simon Arnold &
White, LLP

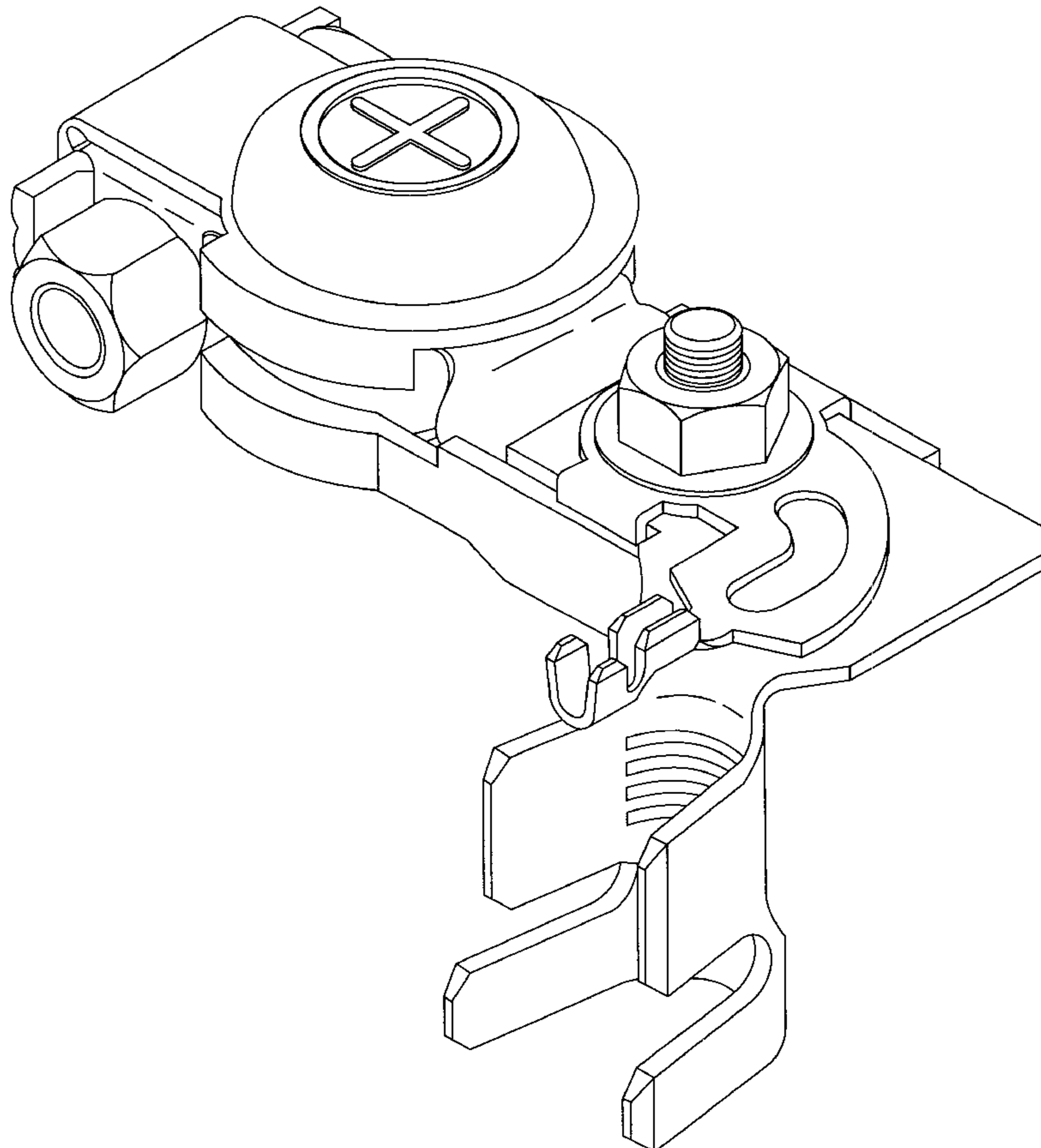
(57) **CLAIM**

The ornamental design for the terminal for storage battery,
as shown.

DESCRIPTION

FIG. 1 is a perspective view;
FIG. 2 is a front view;
FIG. 3 is a rear view;
FIG. 4 is a left side view;
FIG. 5 is a right side view;
FIG. 6 is a top view;
FIG. 7 is a bottom view; and,
FIG. 8 is an exploded view.

1 Claim, 8 Drawing Sheets



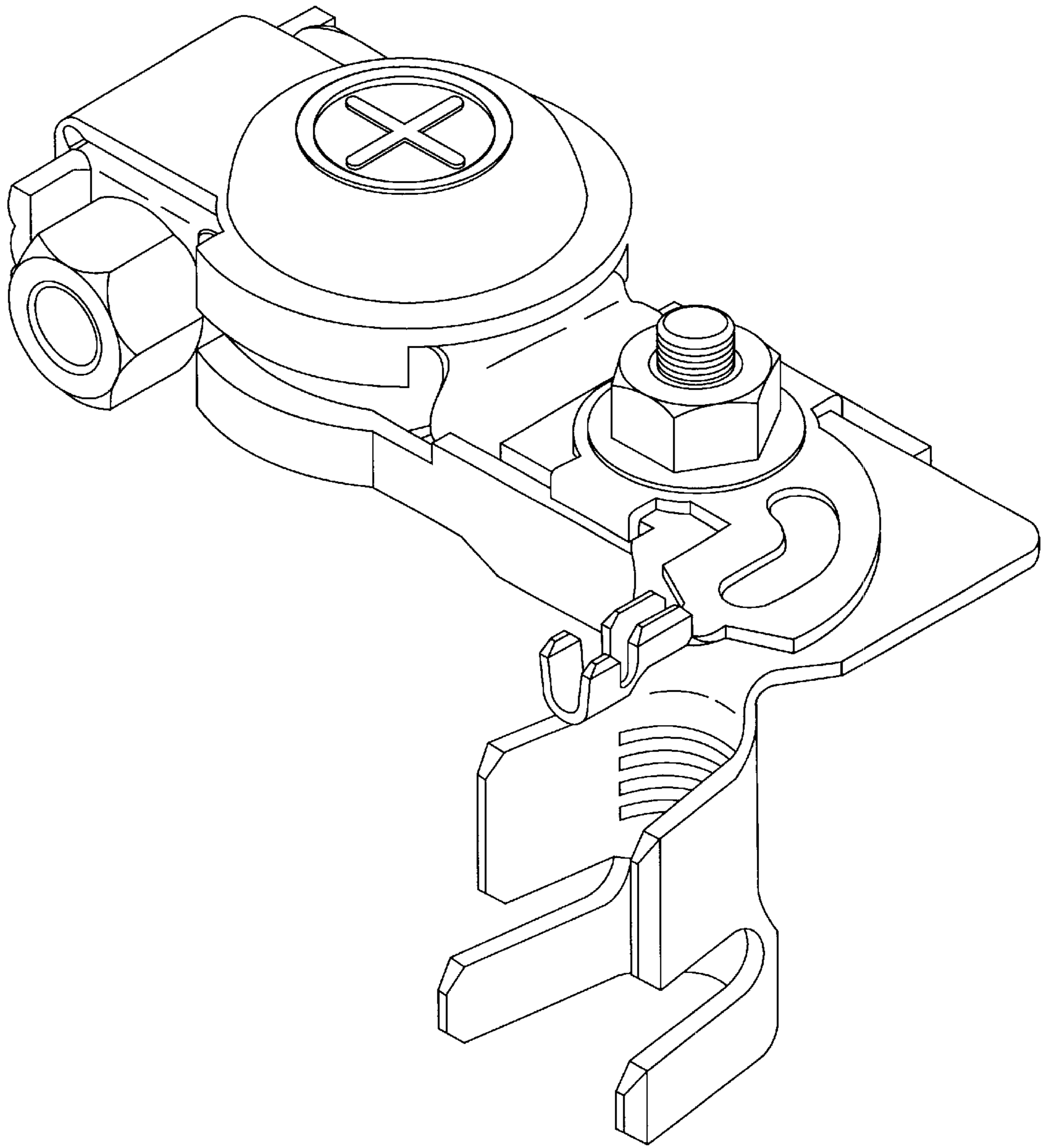


FIG. 1

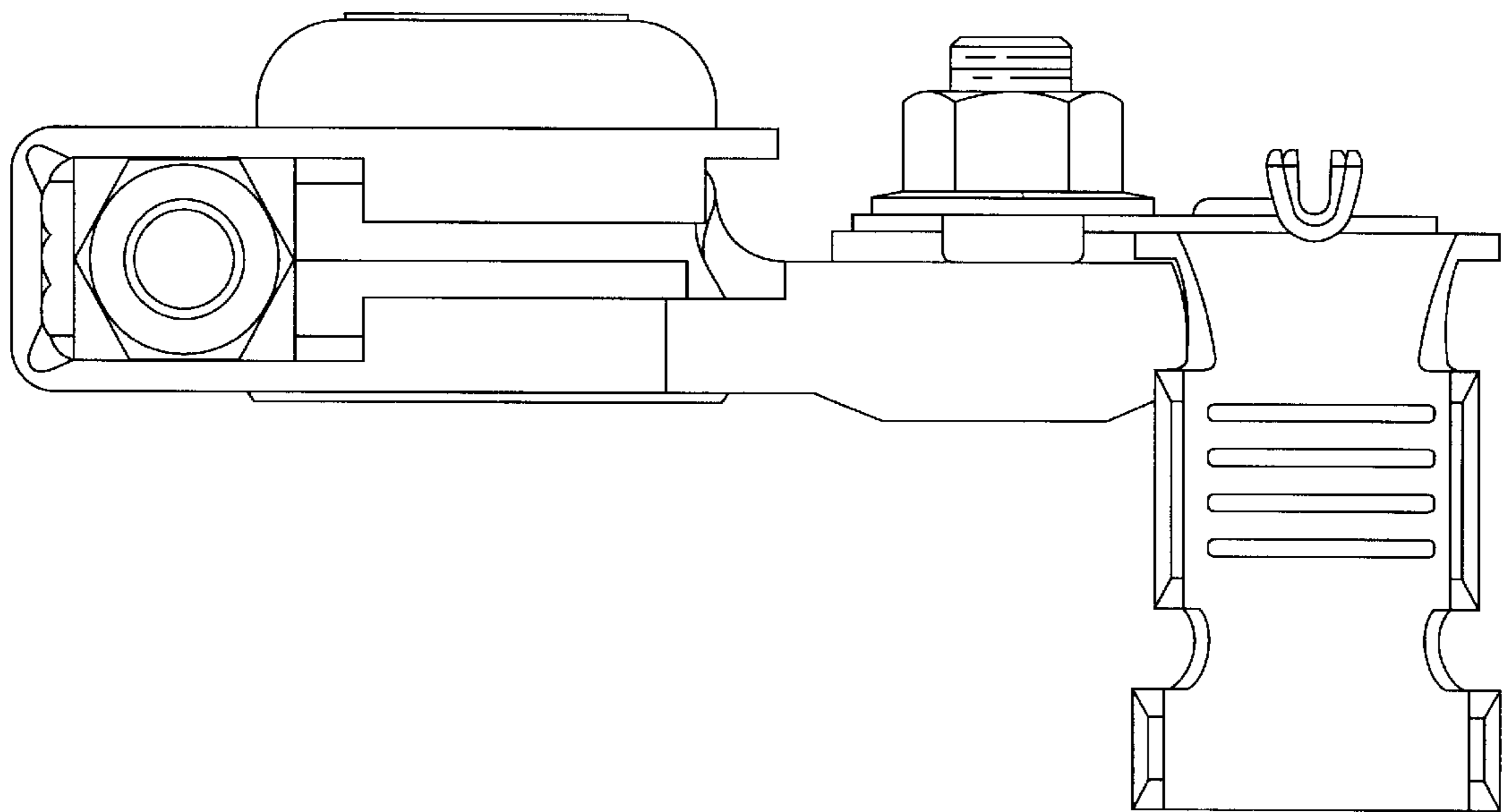


FIG. 2

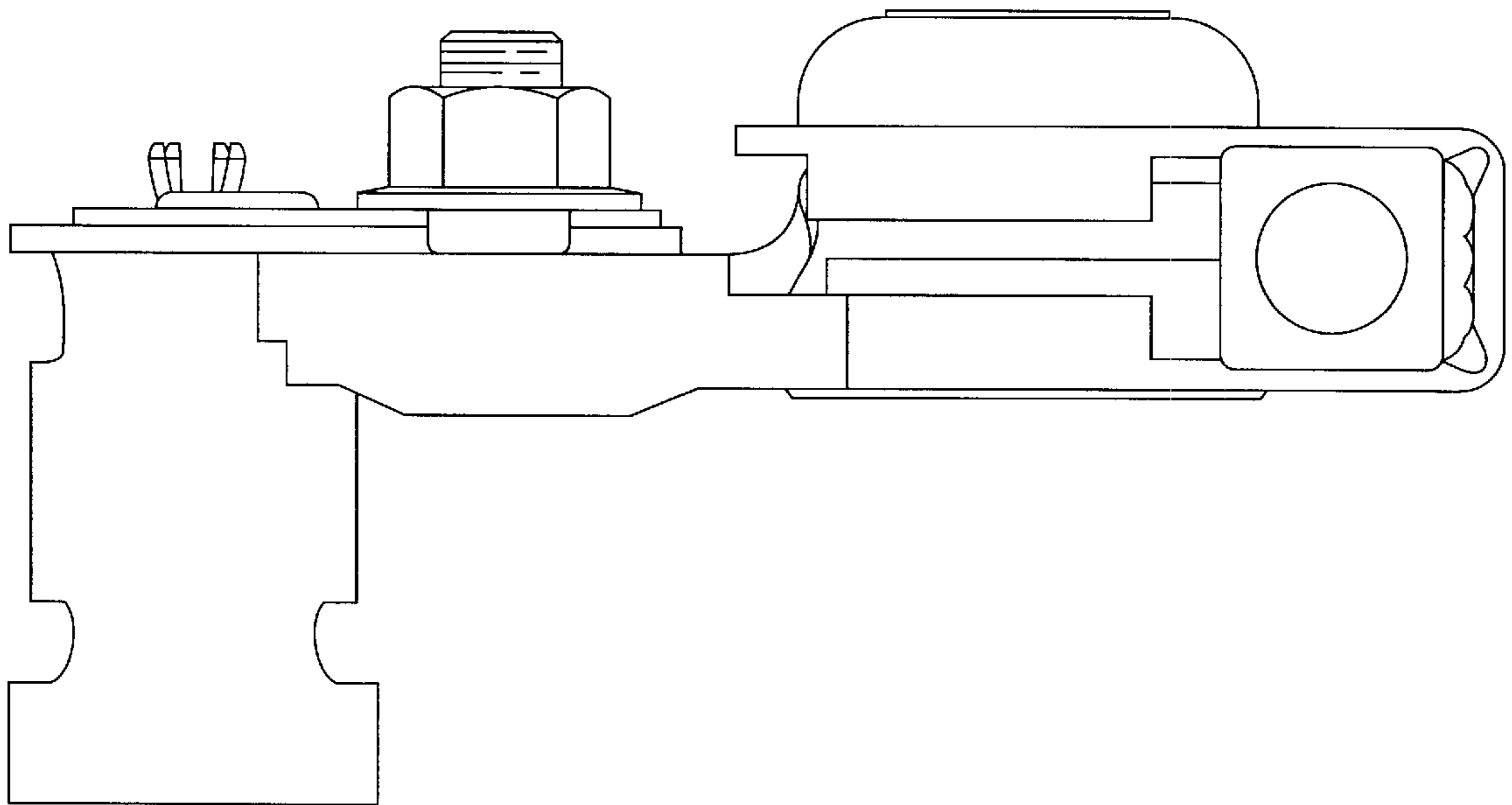


FIG. 3

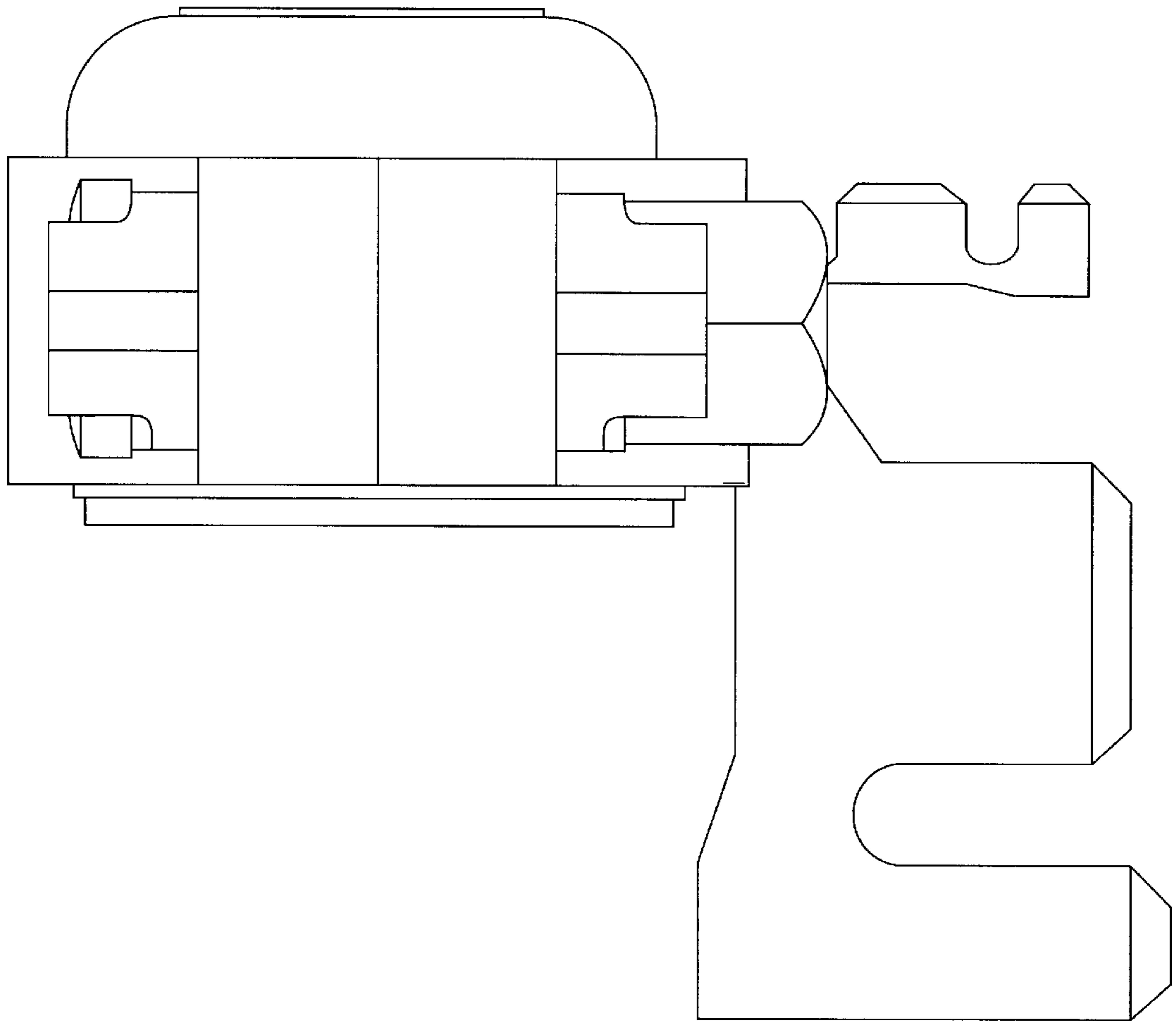


FIG. 4

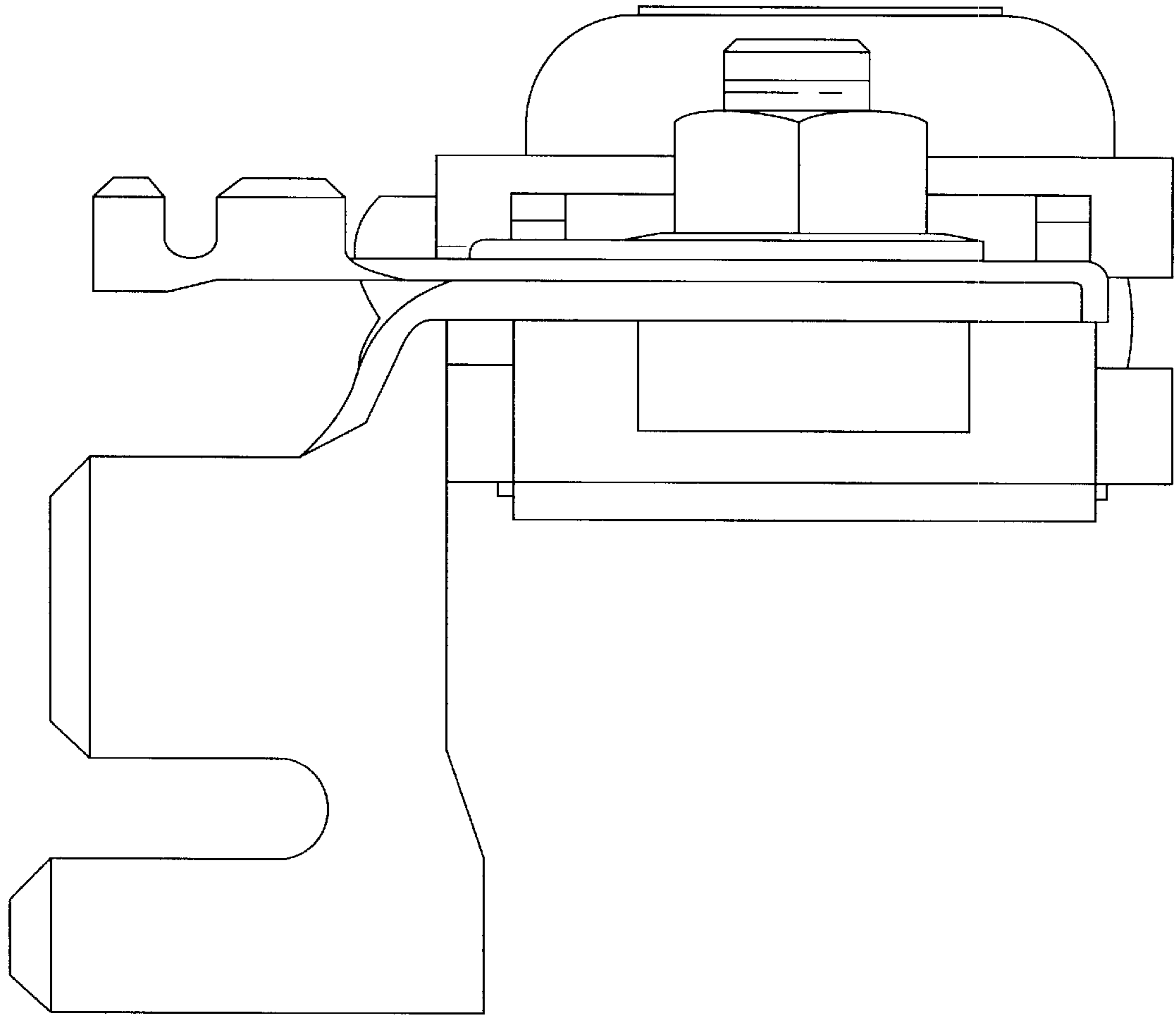


FIG. 5

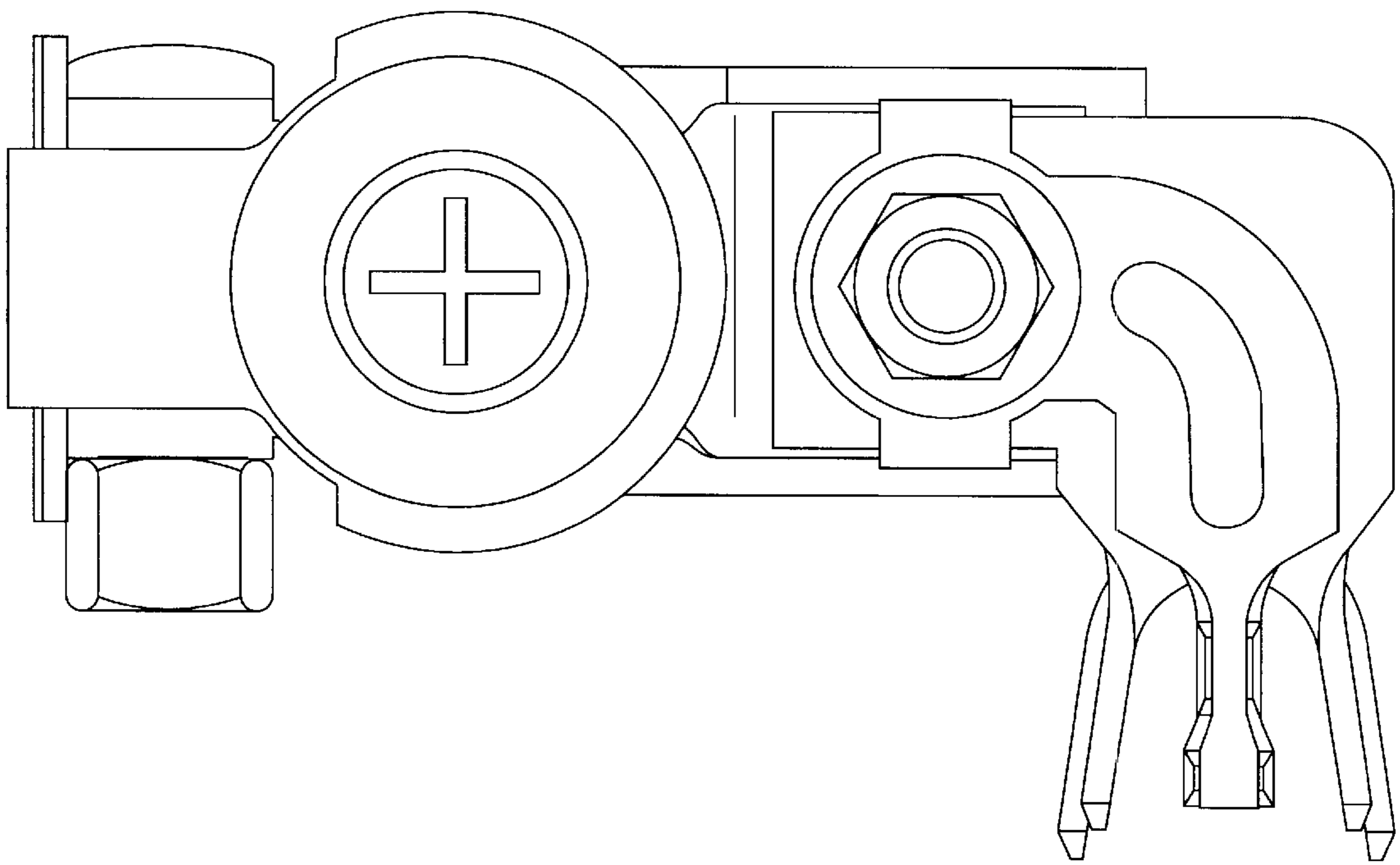


FIG. 6

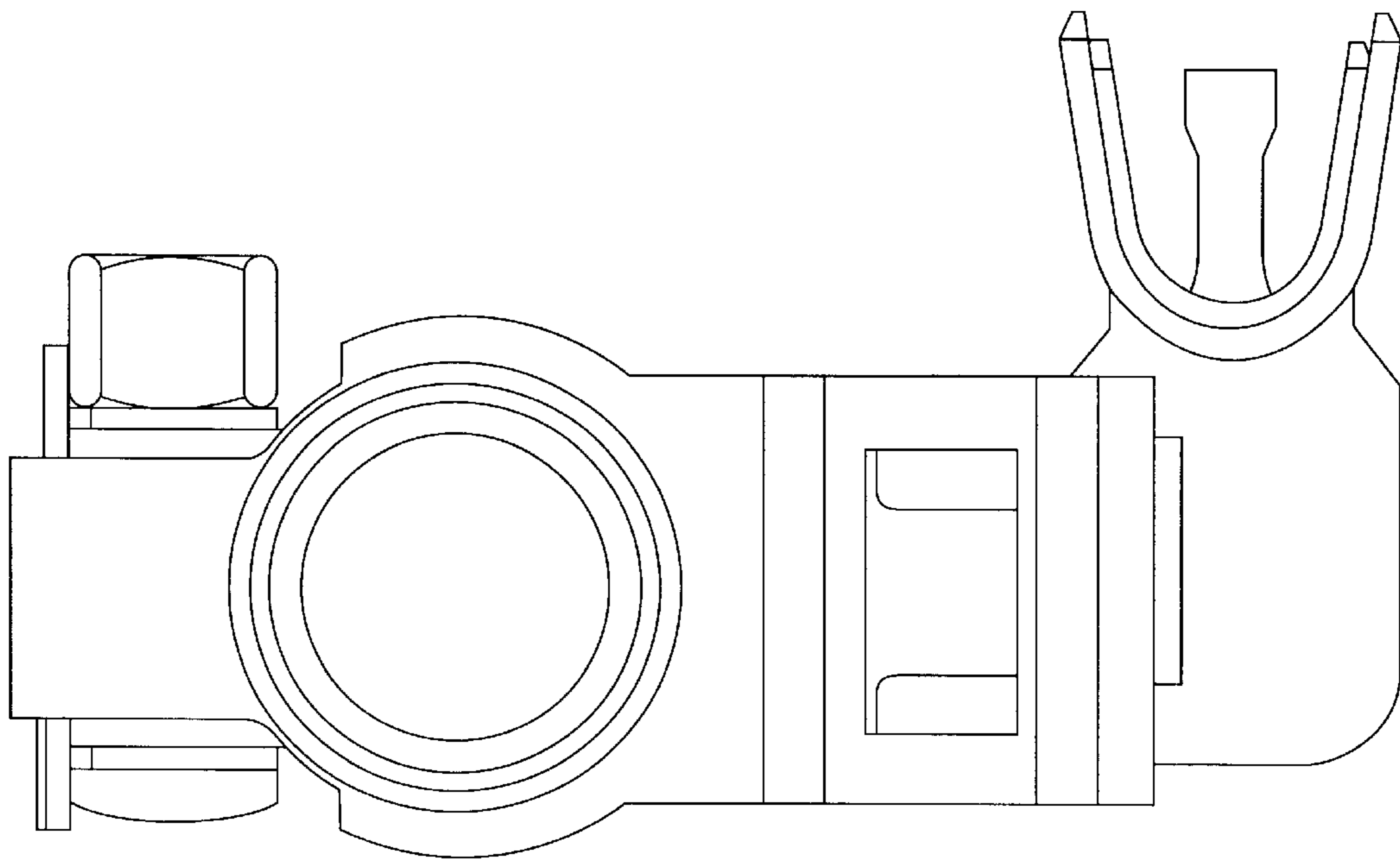


FIG. 7

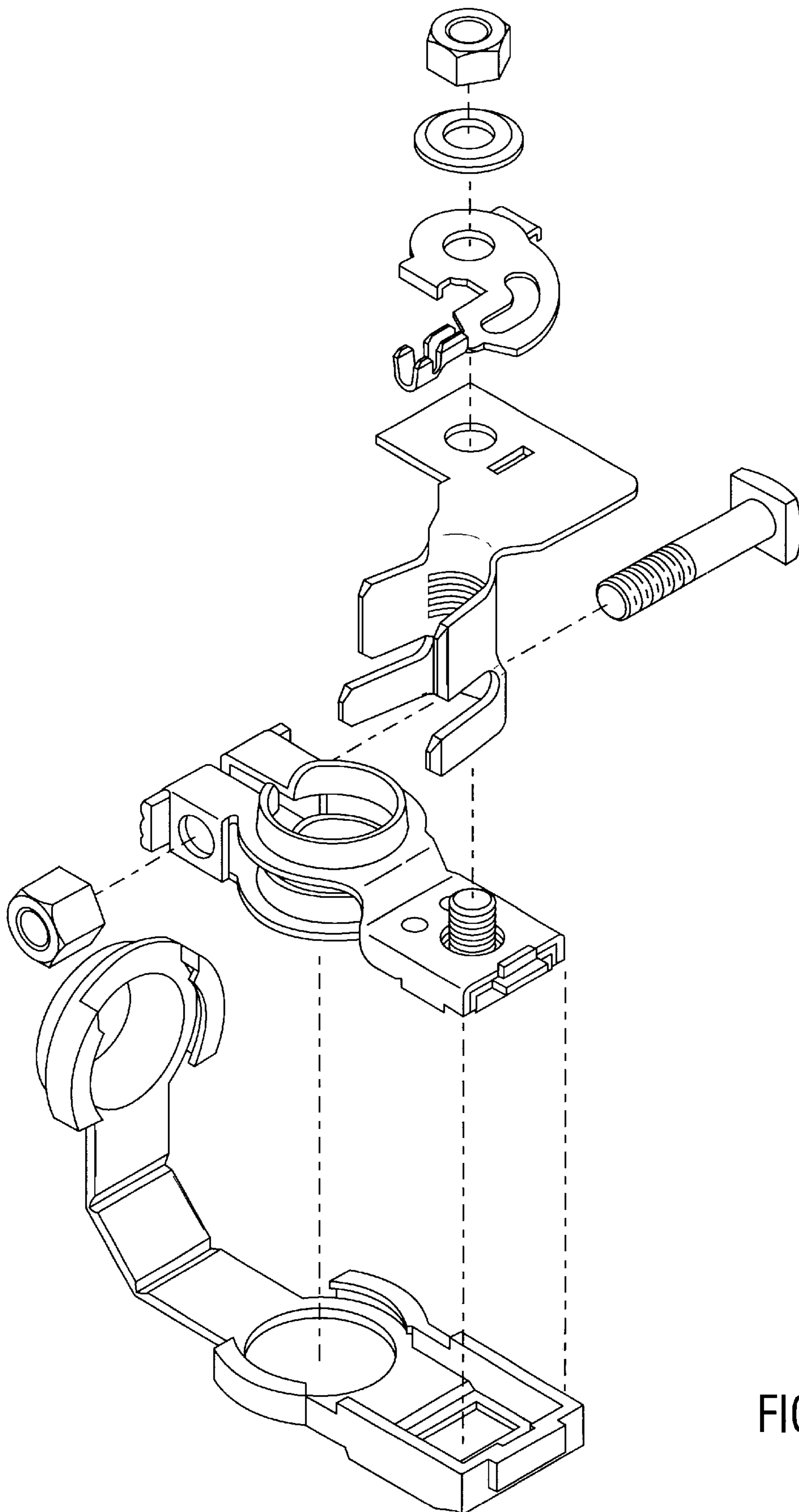


FIG. 8