



US00D465453S

(12) **United States Design Patent**  
**Chan**

(10) **Patent No.:** **US D465,453 S**

(45) **Date of Patent:** **\*\* Nov. 12, 2002**

(54) **POWER SUPPLY UNIT**

(75) Inventor: **Yi-De Chan, Tu-Cheng (TW)**

(73) Assignee: **Great Energy Co., Ltd., Taipei Hsien (TW)**

(\*\*) Term: **14 Years**

(21) Appl. No.: **29/149,718**

(22) Filed: **Oct. 17, 2001**

(51) **LOC (7) Cl.** ..... **13-02**

(52) **U.S. Cl.** ..... **D13/110**

(58) **Field of Search** ..... D13/110; 361/683,  
361/695, 725, 727, 752; 307/66, 150; 312/223.2;  
174/17 VA

(56) **References Cited**

**U.S. PATENT DOCUMENTS**

5,260,851	A	*	11/1993	Chiou	.....	361/724	X
5,777,848	A	*	7/1998	McAnally et al.	.....	361/725	
5,790,372	A	*	8/1998	Dewey et al.	.....	361/727	X
6,129,598	A	*	10/2000	Yu et al.	.....	439/883	
6,215,664	B1	*	4/2001	Hernandez et al.	.....	361/725	

6,247,767	B1	*	6/2001	Liu et al.	.....	312/223.2	
6,270,046	B1	*	8/2001	Liu et al.	.....	361/725	X
6,288,332	B1	*	9/2001	Liu et al.	.....	361/725	X
6,288,901	B1	*	9/2001	Liu et al.	.....	361/724	
D453,139	S	*	1/2002	Yang	.....	D13/110	
6,381,156	B1	*	4/2002	Sakai et al.	.....	307/66	X

\* cited by examiner

*Primary Examiner*—Joel Sincavage

(74) *Attorney, Agent, or Firm*—Rosenberg, Klein & Lee

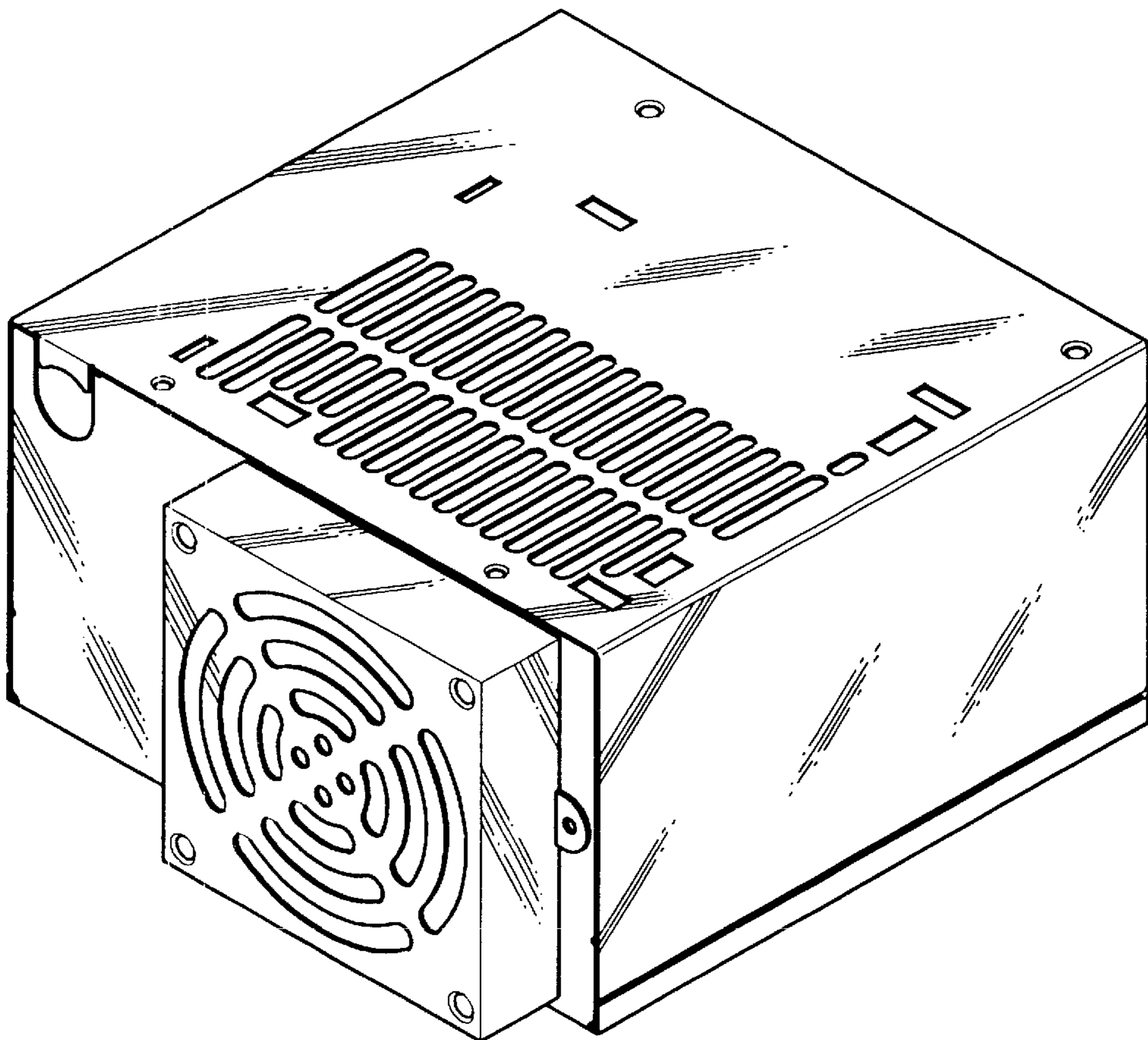
(57) **CLAIM**

The ornamental design for power supply unit, as shown and described.

**DESCRIPTION**

FIG. 1 is the perspective view of an power supply unit showing my new design;  
 FIG. 2 is the front elevational view thereof;  
 FIG. 3 is the rear elevational view thereof;  
 FIG. 4 is the left side elevational view thereof;  
 FIG. 5 is the right side elevational view thereof;  
 FIG. 6 is the top plan view thereof; and,  
 FIG. 7 is the bottom plan view thereof.

**1 Claim, 7 Drawing Sheets**



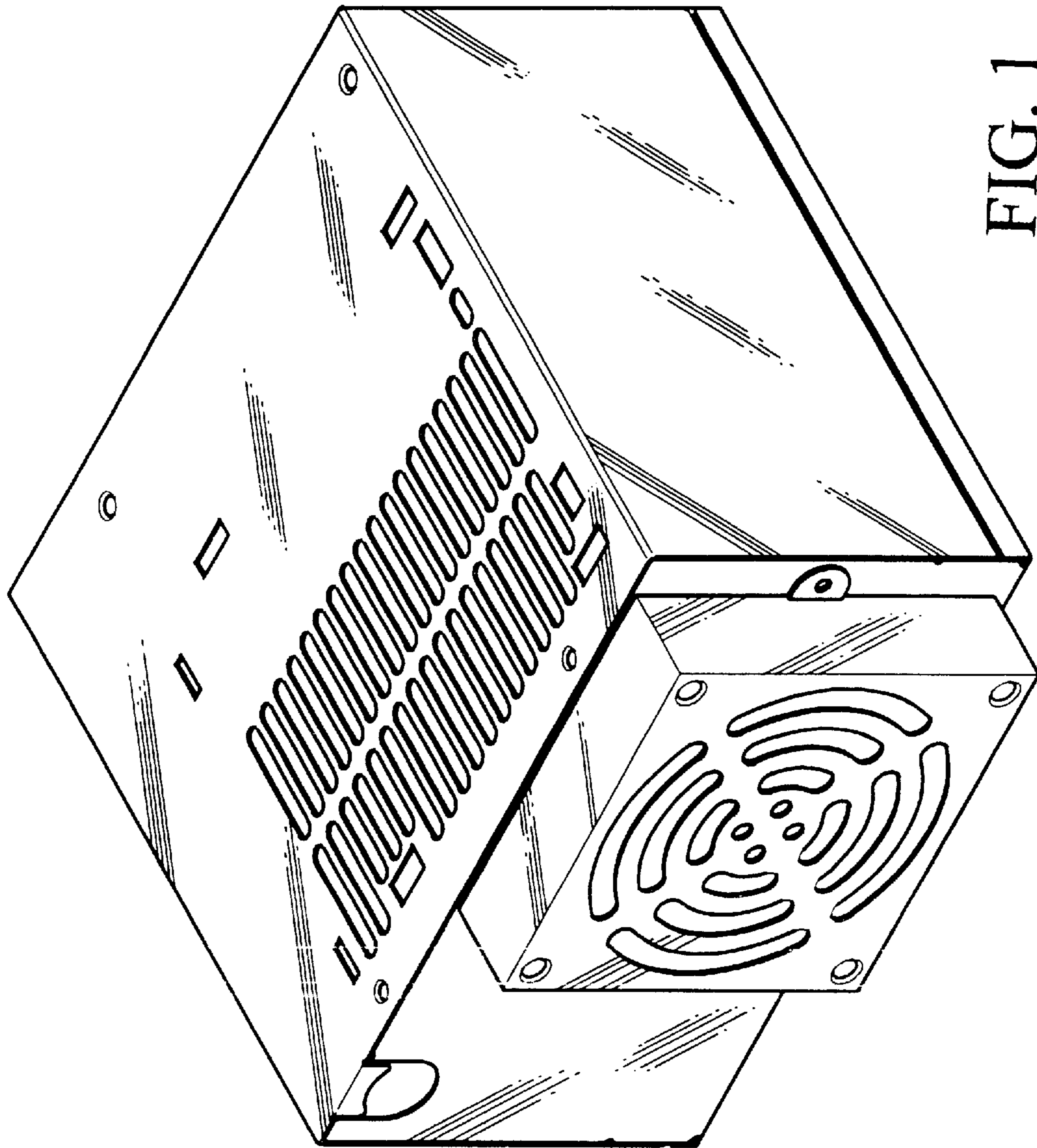


FIG. 1

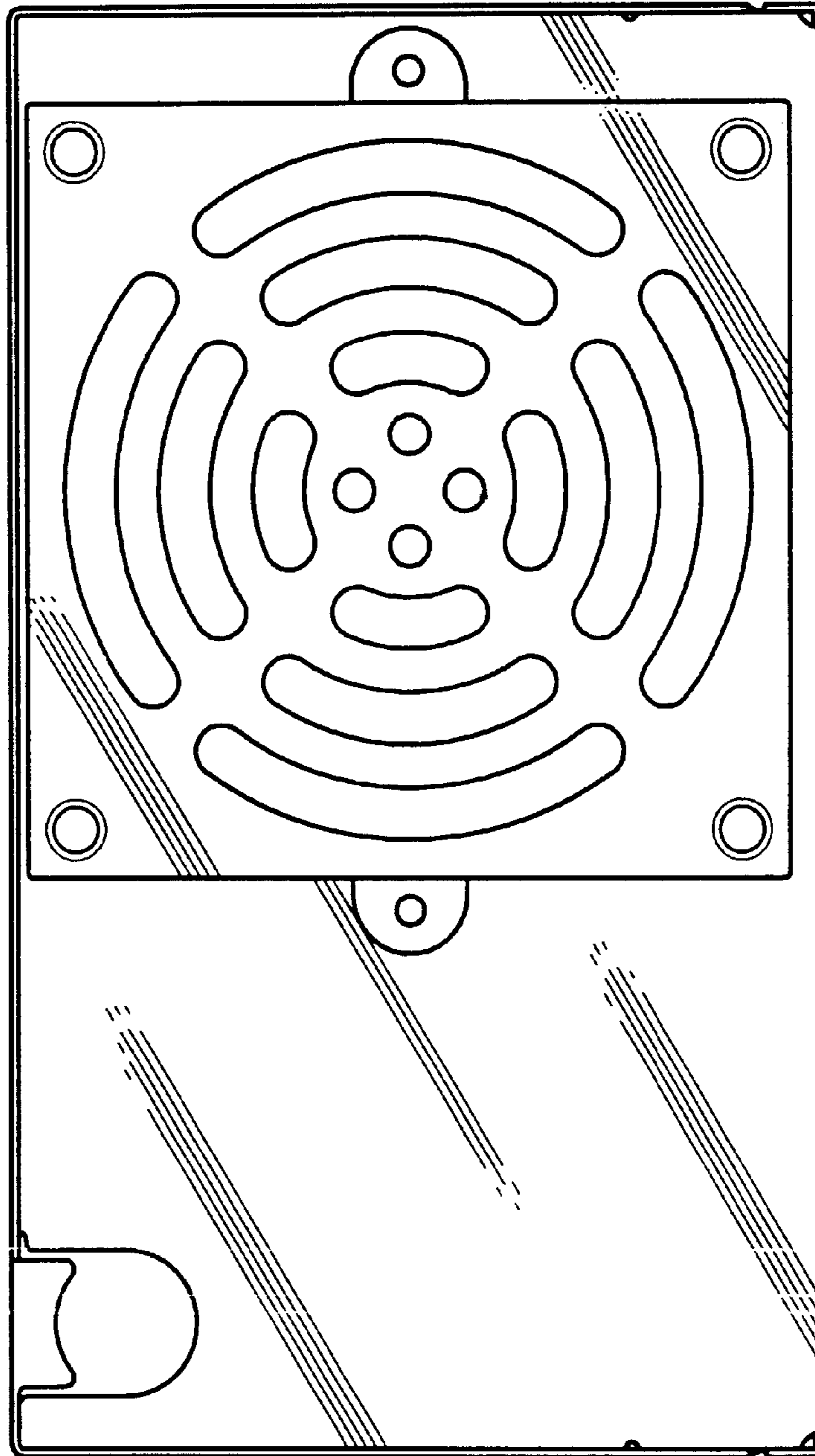


FIG. 2

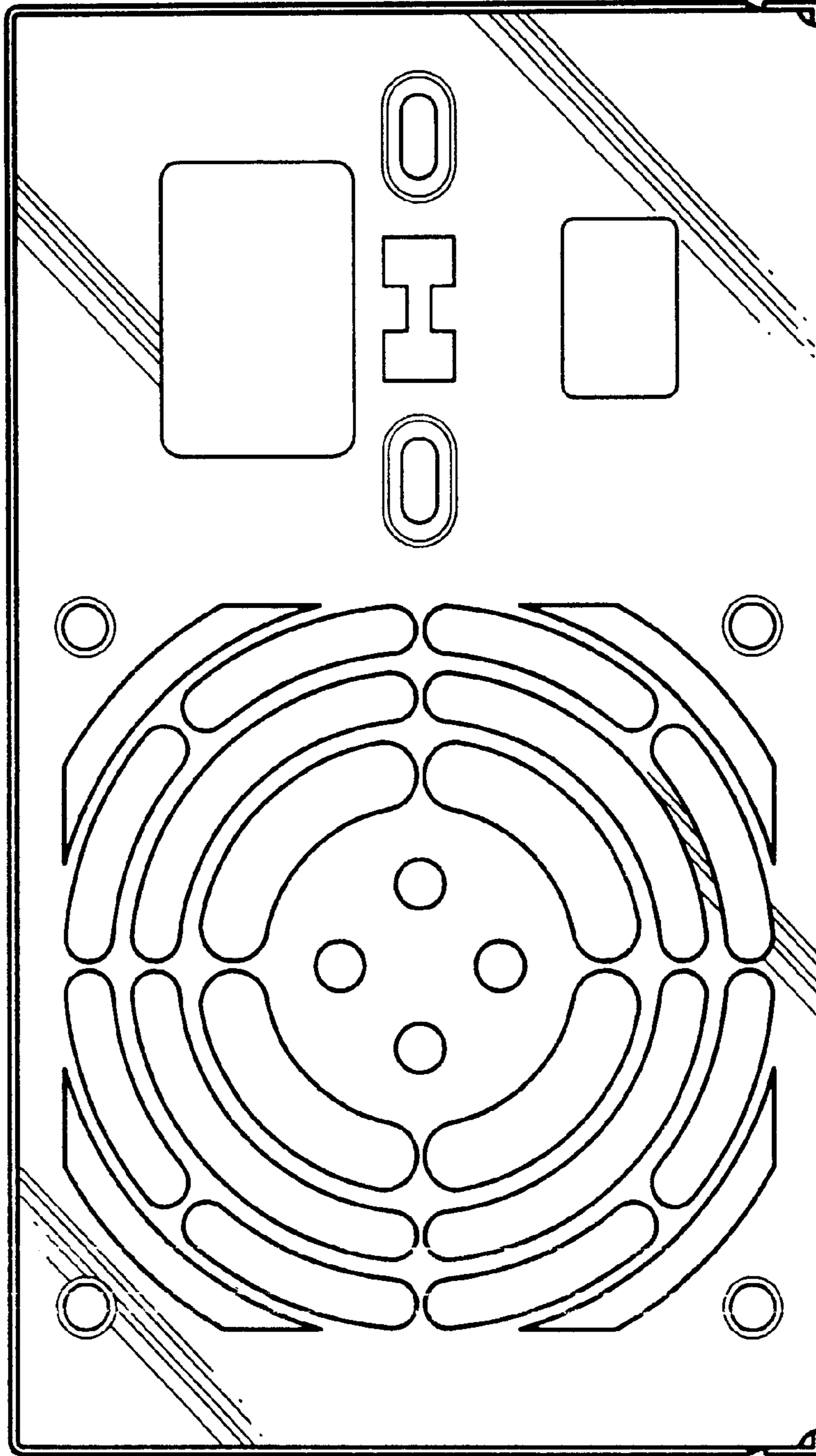


FIG. 3

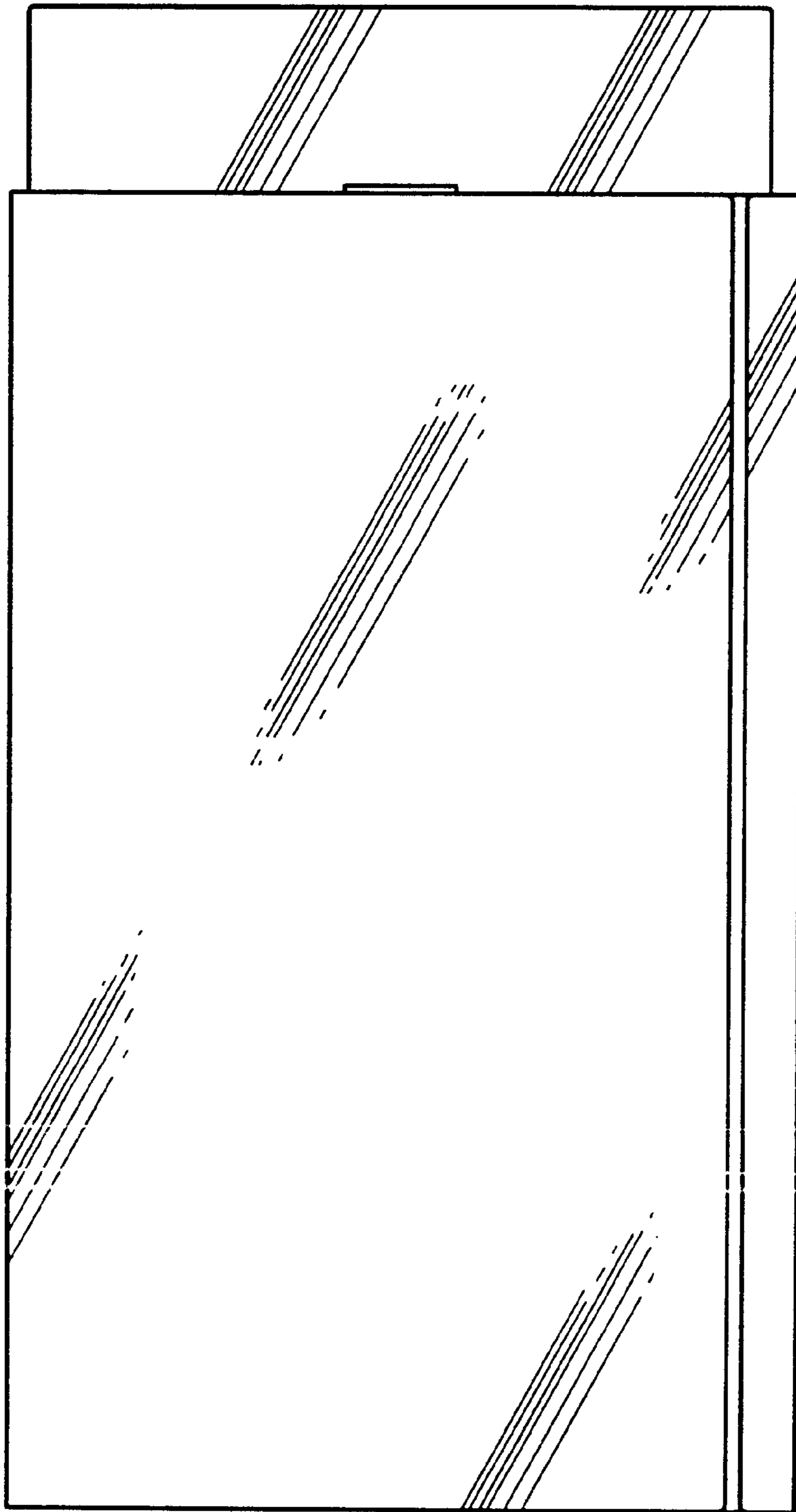


FIG. 4

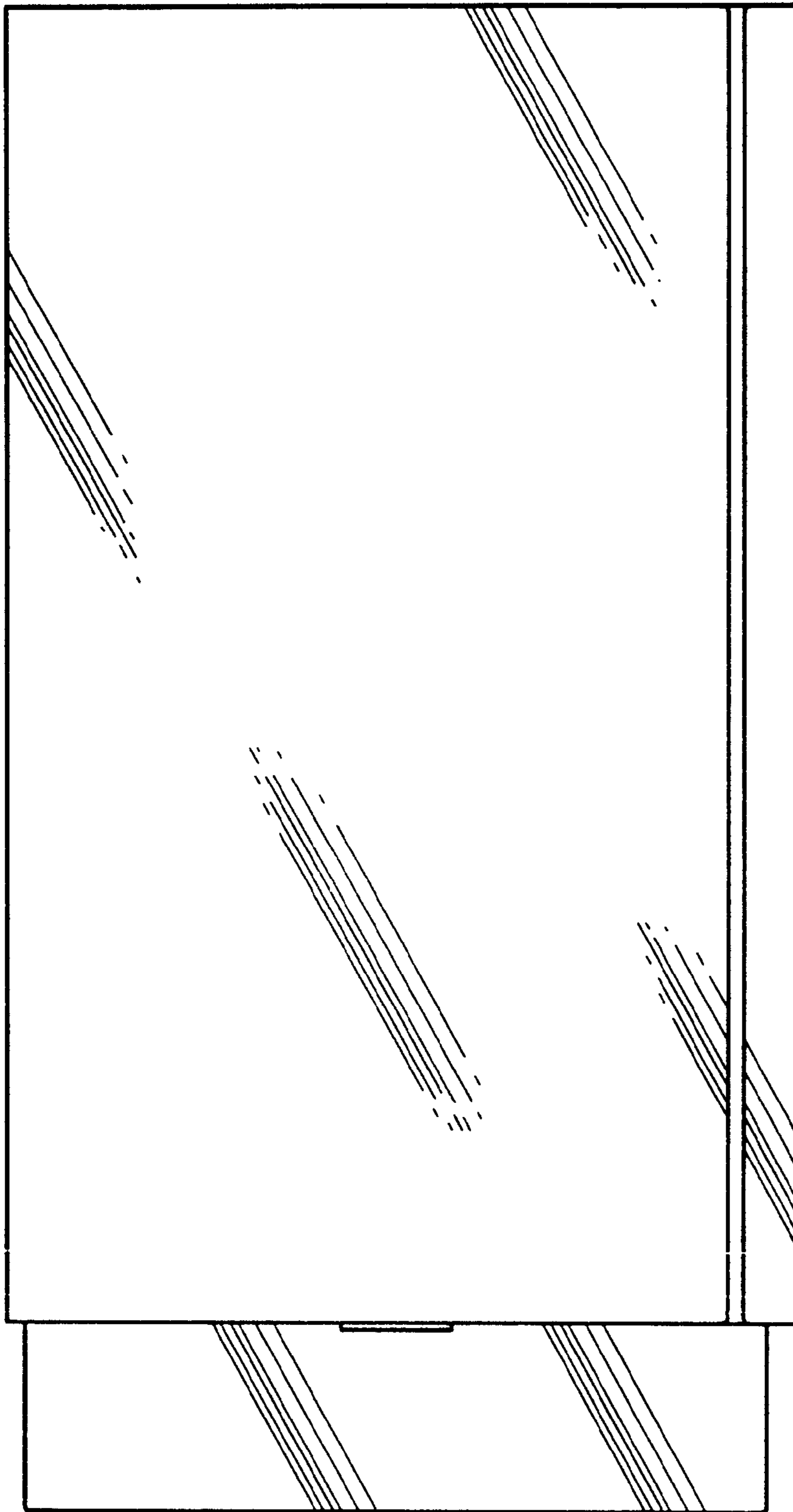


FIG. 5

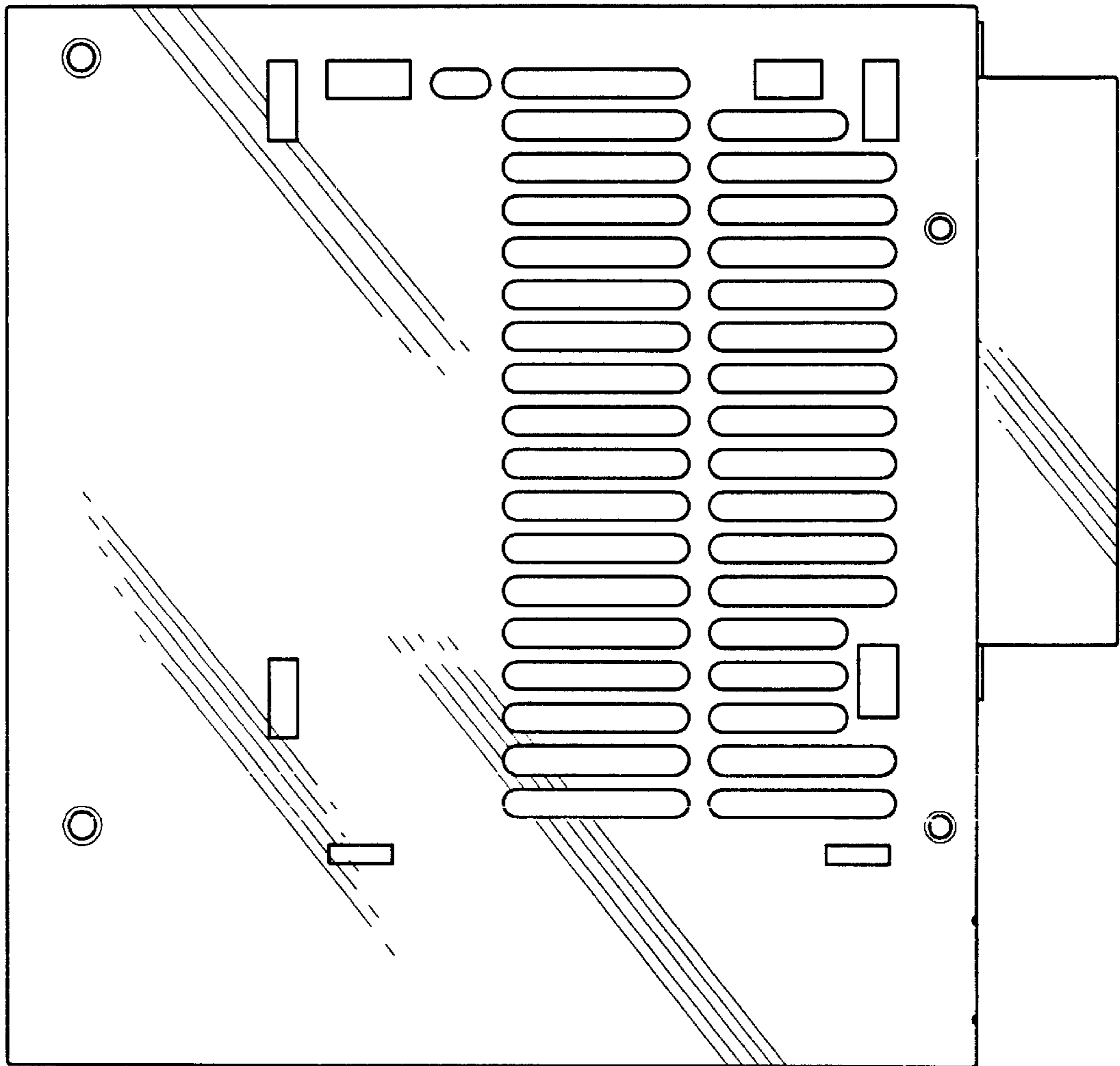


FIG. 6

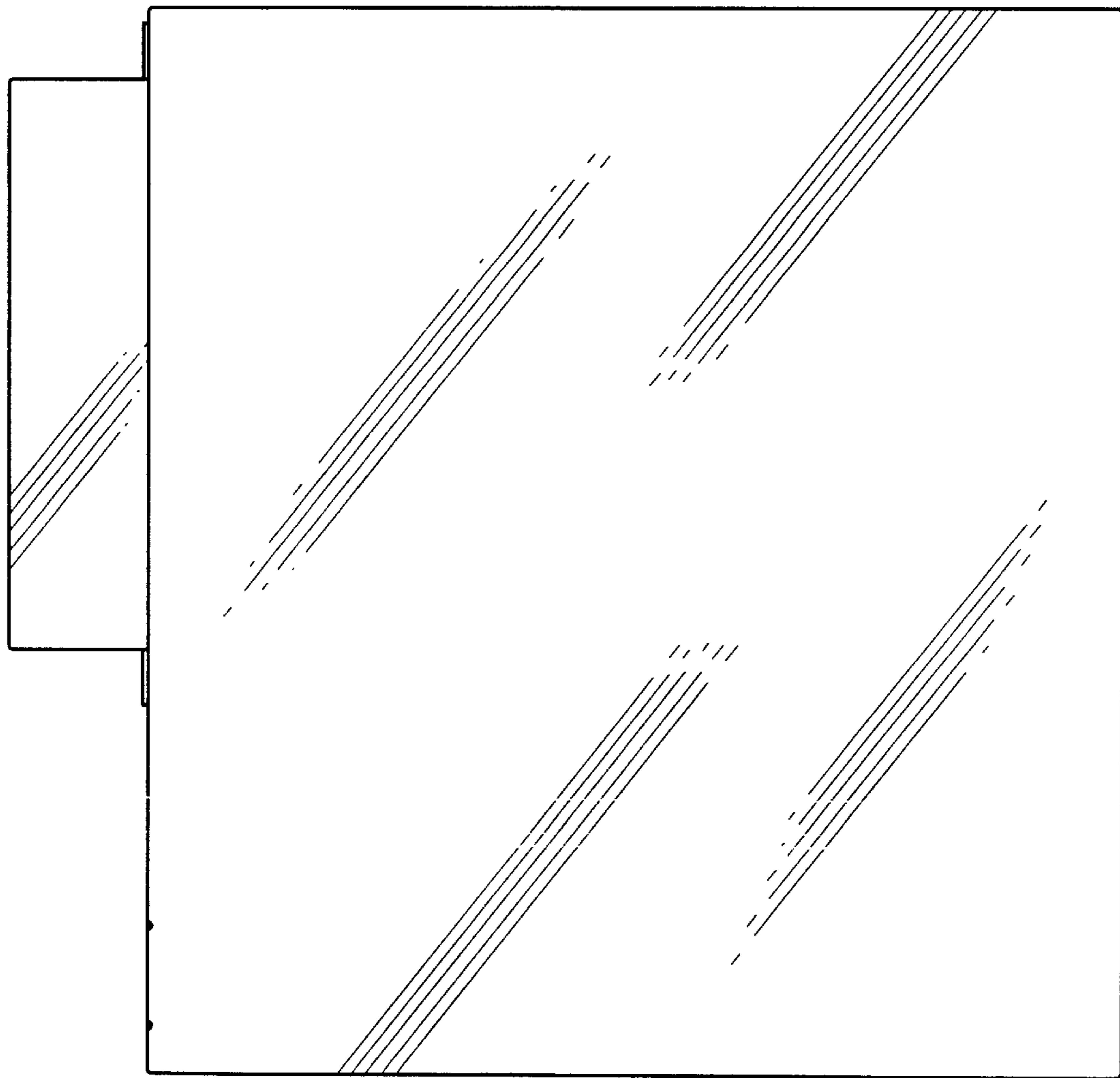


FIG. 7