



US00D465451S

(12) **United States Design Patent**
Hirano et al.

(10) **Patent No.:** **US D465,451 S**

(45) **Date of Patent:** **** Nov. 12, 2002**

(54) **CHARGER**

(75) Inventors: **Shinpei Hirano**, Tokyo (JP); **Takuya Niitsu**, Tokyo (JP); **Akira Konno**, Tokyo (JP)

(73) Assignee: **Sony Corporation**, Tokyo (JP)

(**) Term: **14 Years**

(21) Appl. No.: **29/144,526**

(22) Filed: **Jul. 6, 2001**

(51) **LOC (7) Cl.** **13-02**

(52) **U.S. Cl.** **D13/107**

(58) **Field of Search** D13/107, 108;
320/107-115

(56) **References Cited**

U.S. PATENT DOCUMENTS

D288,432 S	*	2/1987	Nagele	D13/107
D333,651 S	*	3/1993	Itou et al.	D13/108
D349,884 S	*	8/1994	Iino	D13/108
D369,343 S	*	4/1996	Bliven	D13/108
D379,346 S	*	5/1997	Mieki	D13/107
D408,009 S	*	4/1999	Fukushima	D13/107
D408,352 S	*	4/1999	Tashiro	D13/107
D410,431 S	*	6/1999	Sasago et al.	D13/107
D434,371 S	*	11/2000	Goto et al.	D13/107

OTHER PUBLICATIONS

D & L Antenna Supply Co—Maha Universal Battery Pack Charger/Conditioner—<http://www.fileshop.com/~dandl/ucharger.htm> —Accessed Sunday, Oct. 21, 2001.*
Catalog, “Raccoon”, Honda Corporation, (Feb. 2000).

* cited by examiner

Primary Examiner—Joel Sincavage

(74) *Attorney, Agent, or Firm*—Rader, Fishman & Grauer, PLLC

(57) **CLAIM**

The ornamental design for a charger , as shown and described.

DESCRIPTION

FIG. 1 is a perspective view of a charger showing our new design;

FIG. 2 is a top plan view thereof;

FIG. 3 is a bottom plan view thereof;

FIG. 4 is a left side elevational view thereof;

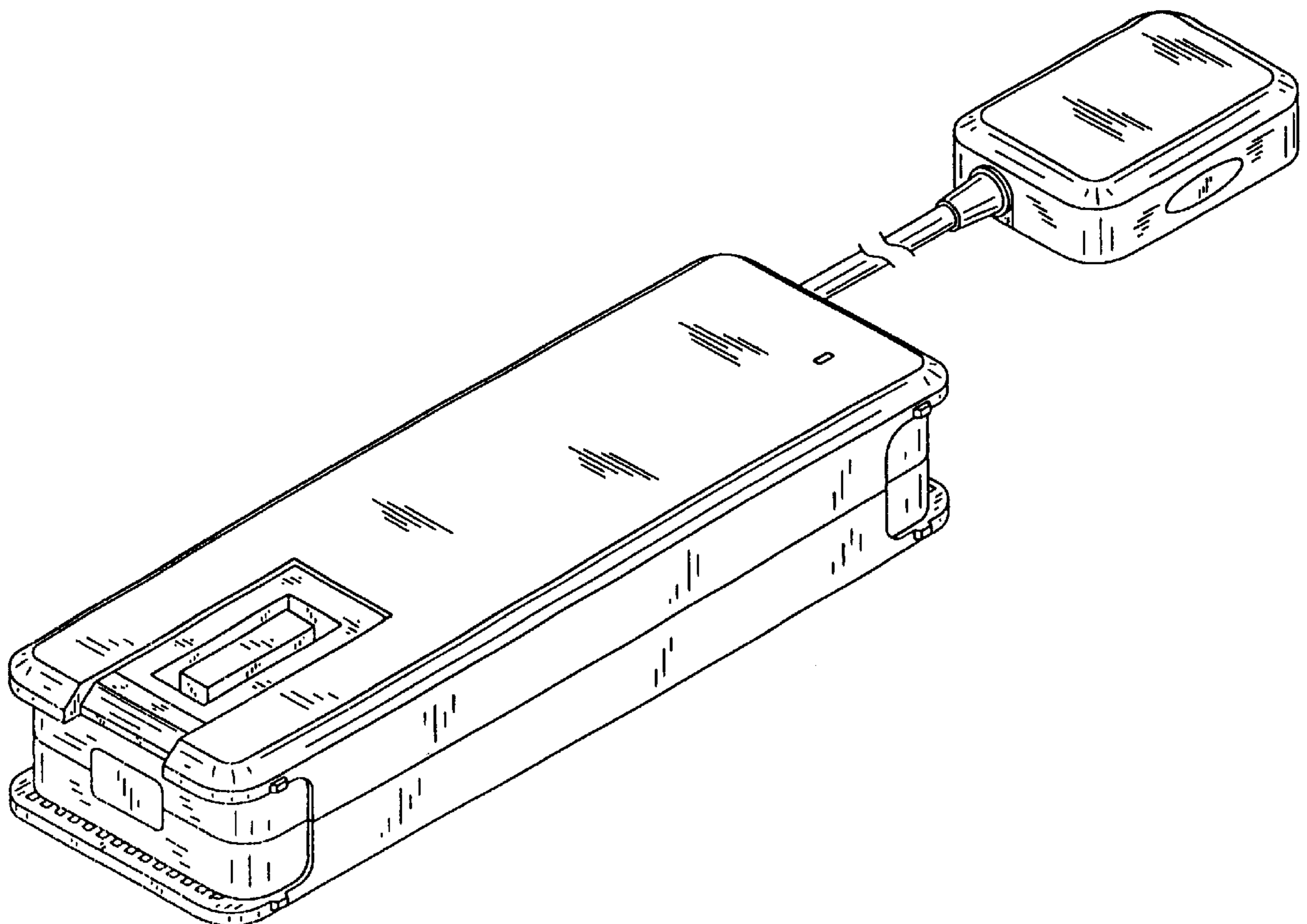
FIG. 5 is a right side elevational view thereof;

FIG. 6 is a front elevational view thereof; and,

FIG. 7 is a rear elevational view thereof.

The cord in FIGS. 1, 2, 3, 6 and 7, is shown broken away to indicate indeterminate length.

1 Claim, 4 Drawing Sheets



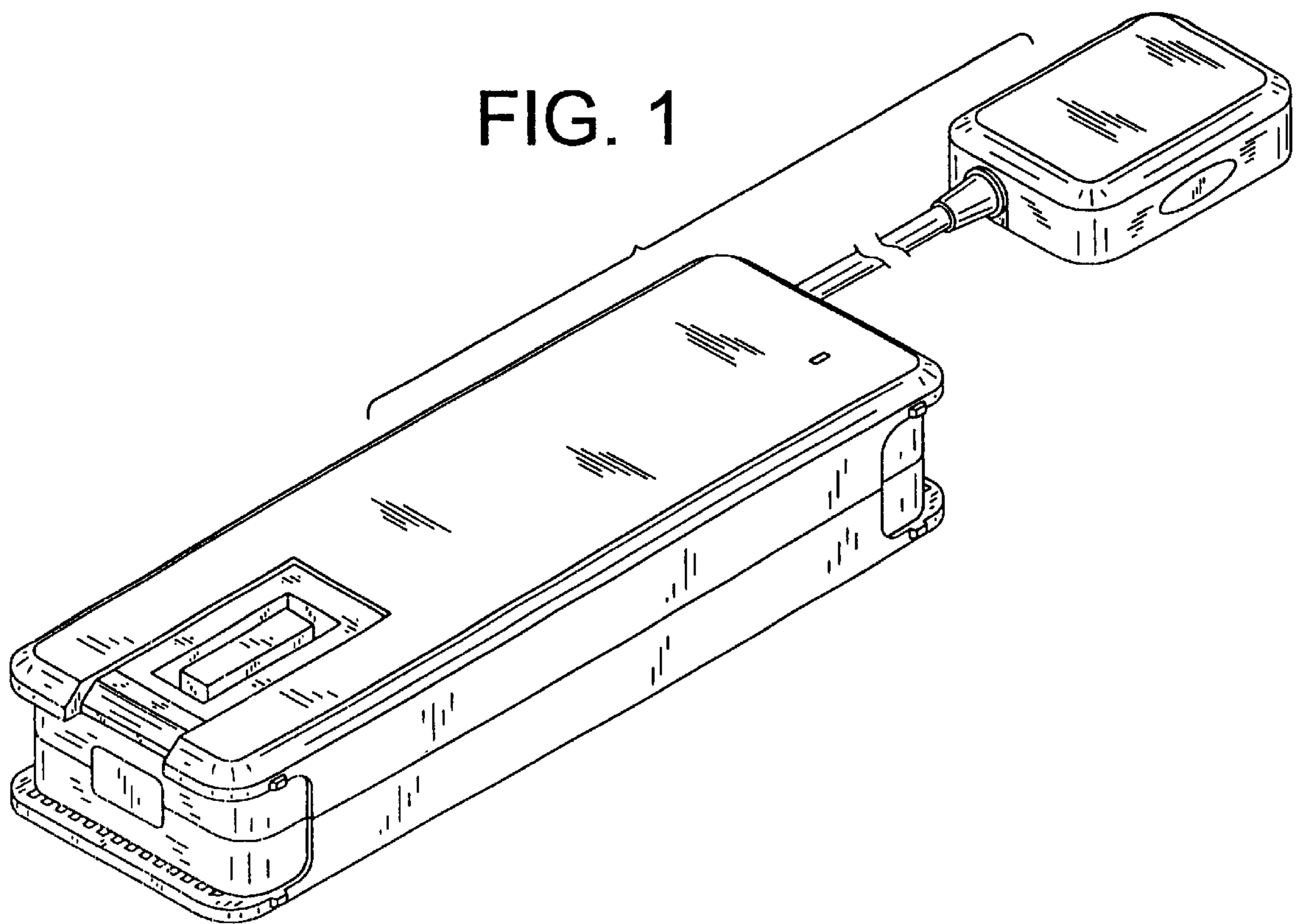


FIG. 1

FIG. 2

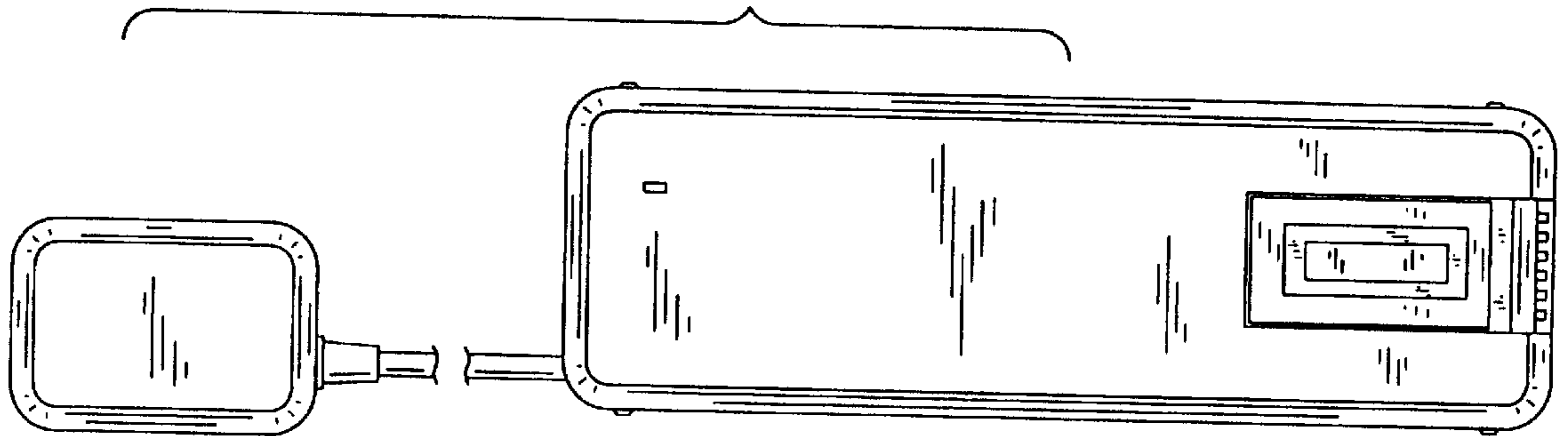


FIG. 3

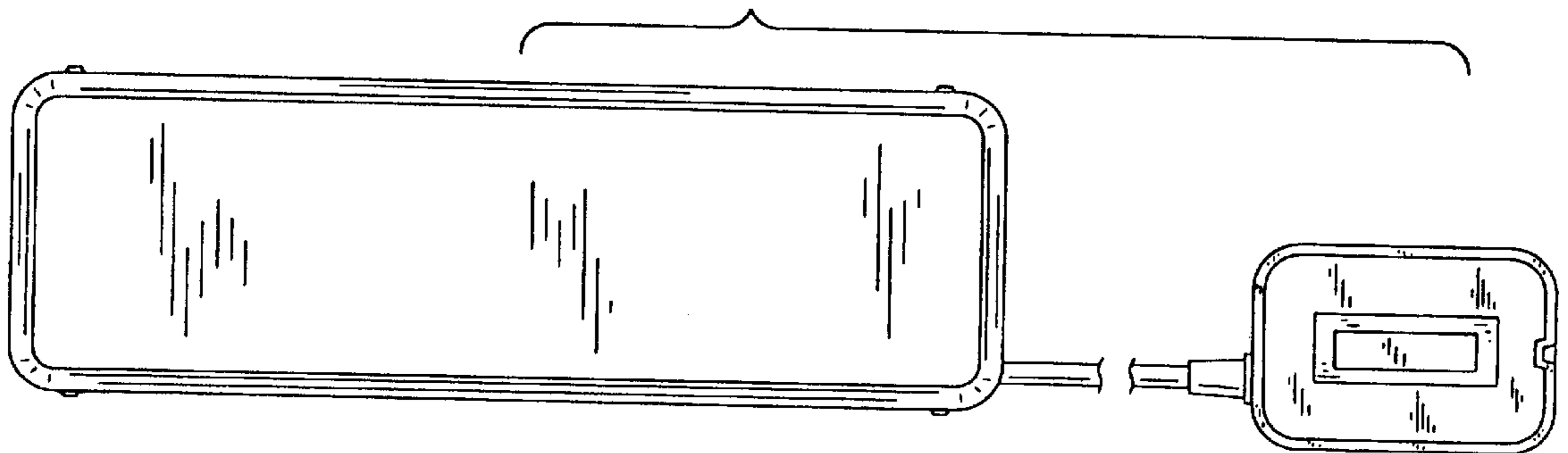


FIG. 4

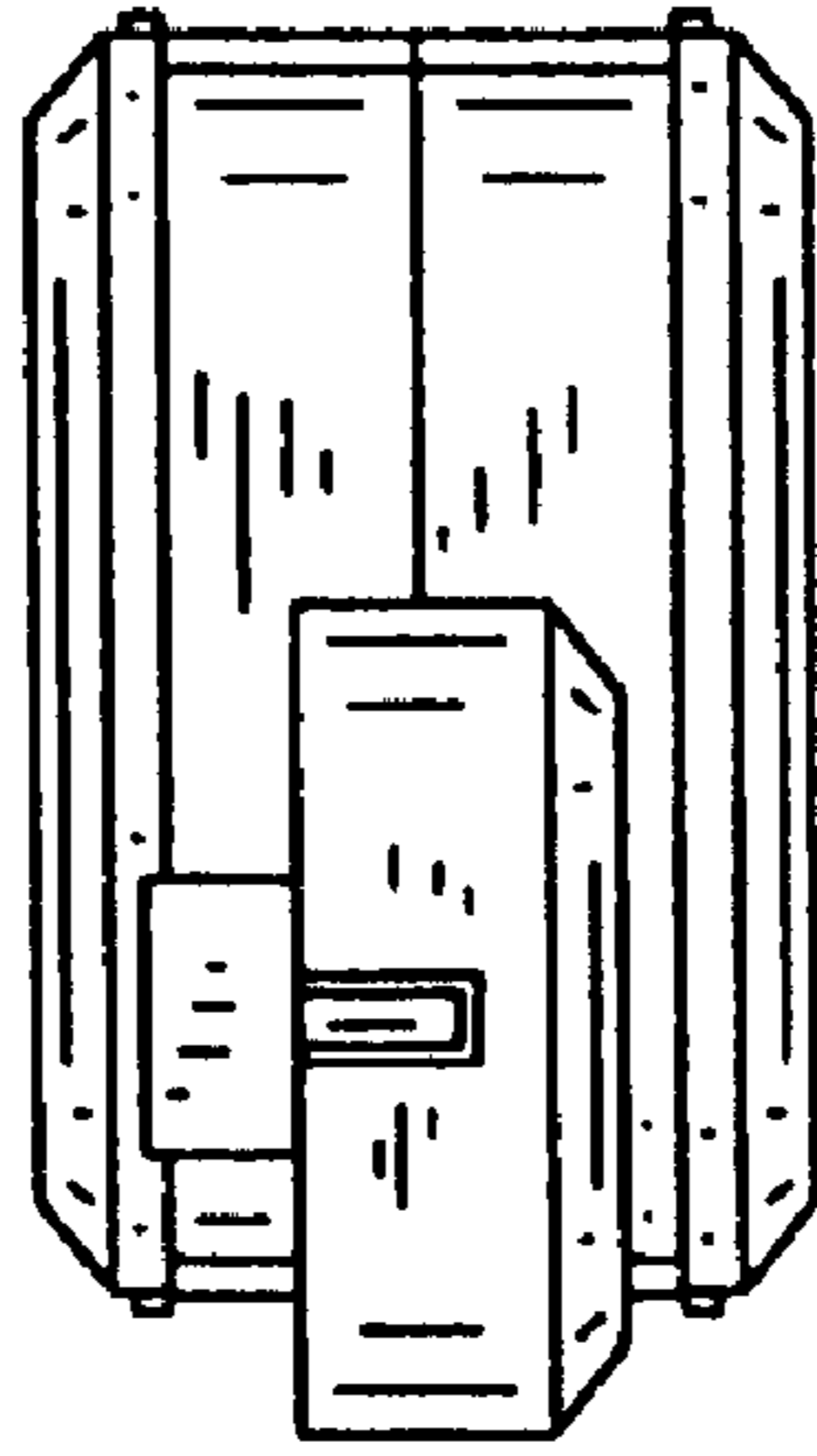


FIG. 5

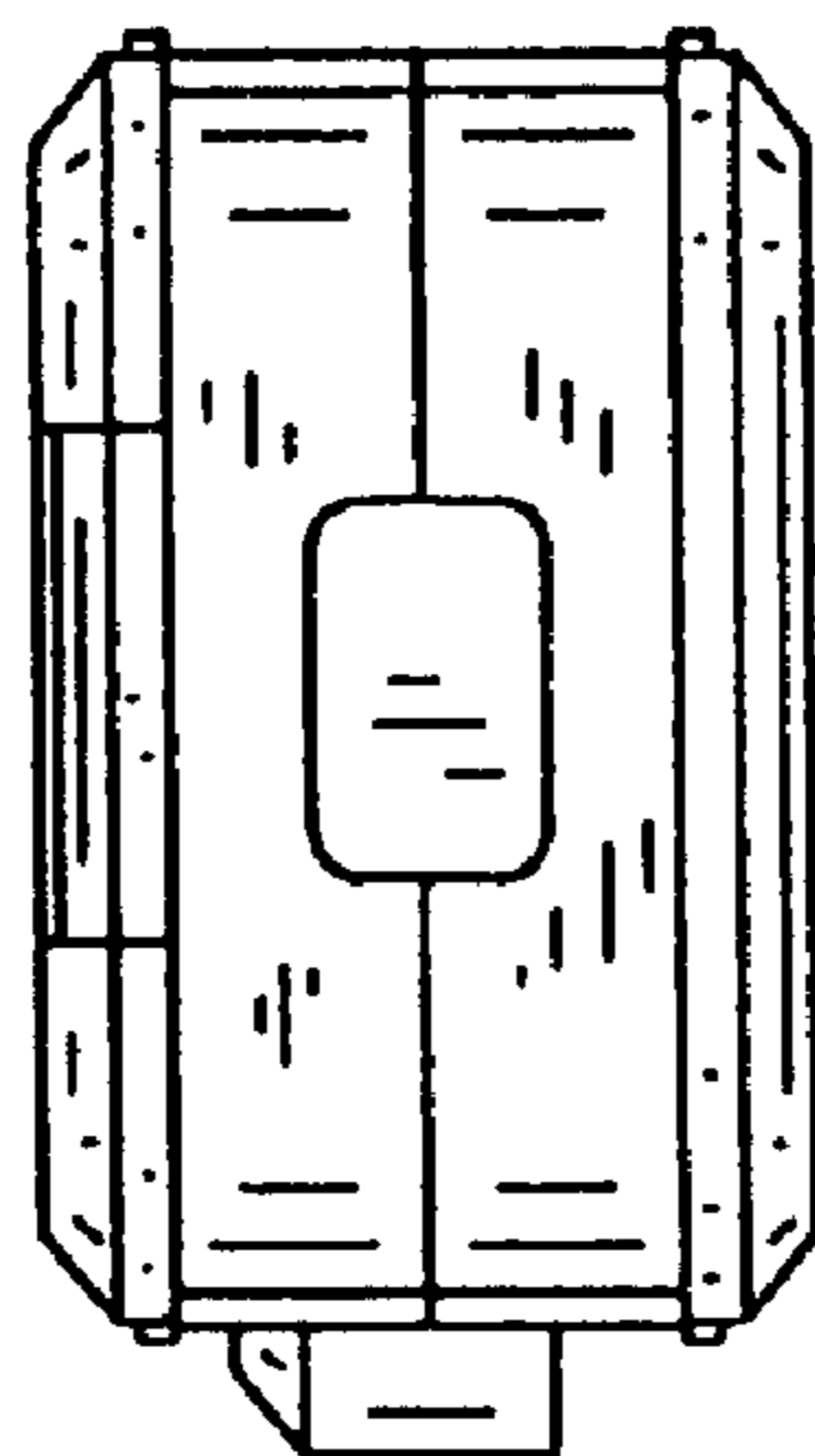


FIG. 6

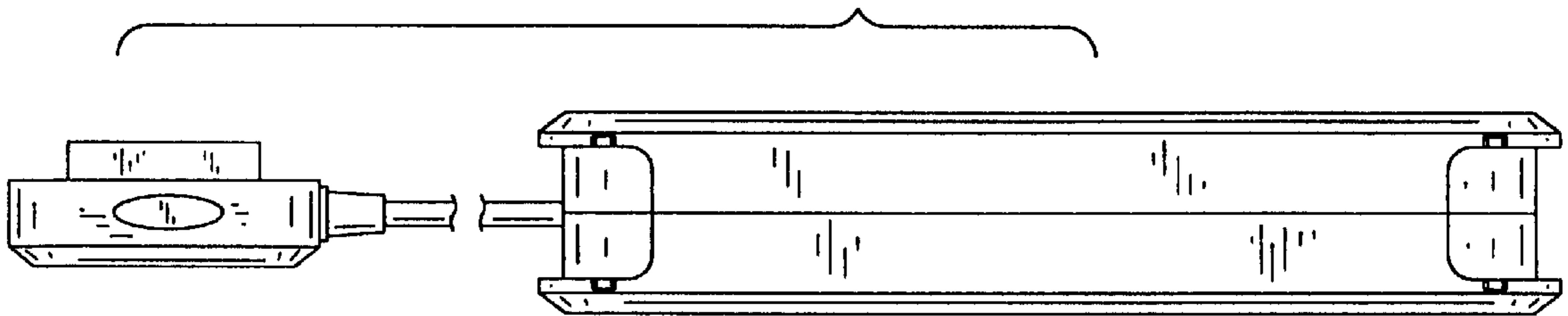


FIG. 7

