



US00D465450S

(12) **United States Design Patent**
Armano

(10) **Patent No.:** **US D465,450 S**

(45) **Date of Patent:** **** Nov. 12, 2002**

(54) **SUN, WIND AND MOTION CHARGING
MODULE**

(76) **Inventor:** **Frank Armano**, 6692 Picante Cir.,
Fort Pierce, FL (US) 34951

(**) **Term:** **14 Years**

(21) **Appl. No.:** **29/139,498**

(22) **Filed:** **Apr. 2, 2001**

(51) **LOC (7) Cl.** **13-02**

(52) **U.S. Cl.** **D13/102**

(58) **Field of Search** D13/102; 60/641.8,
60/641.1, 398; 136/248, 244, 246, 205,
206, 291, 202; 126/655, 649, 629, 631,
663

(56) **References Cited**

U.S. PATENT DOCUMENTS

5,005,360 A * 4/1991 McMurtry 60/641.15

6,372,978 B1 * 4/2002 Cifaldi 126/629

* cited by examiner

Primary Examiner—Lisa Lichtenstein

(74) *Attorney, Agent, or Firm*—Kevin Redmond

(57) **CLAIM**

The ornamental design for a sun, wind and motion charging module, as shown and described.

DESCRIPTION

FIG. 1 is a front view of the present invention.

FIG. 2 is a rear view of the present invention.

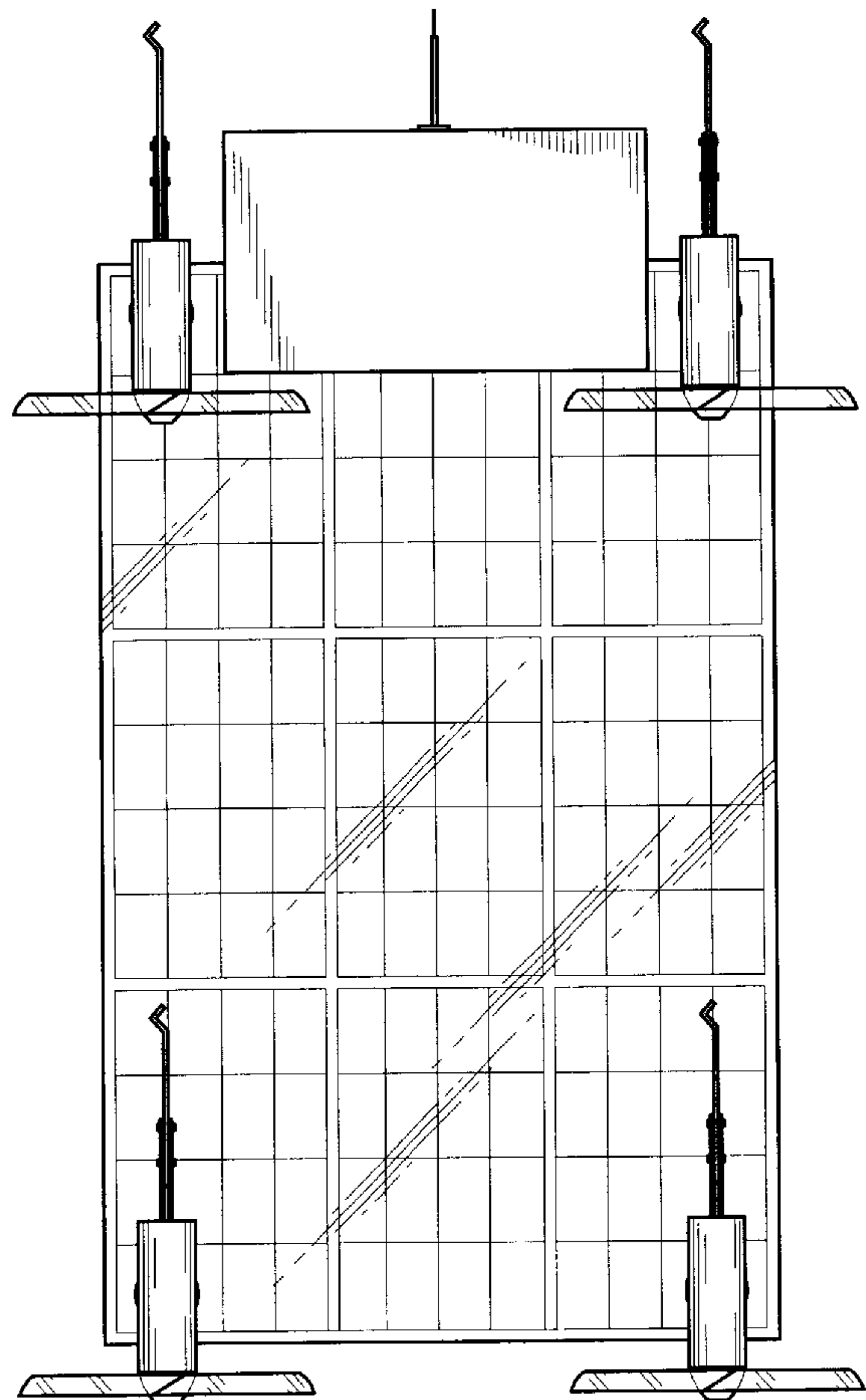
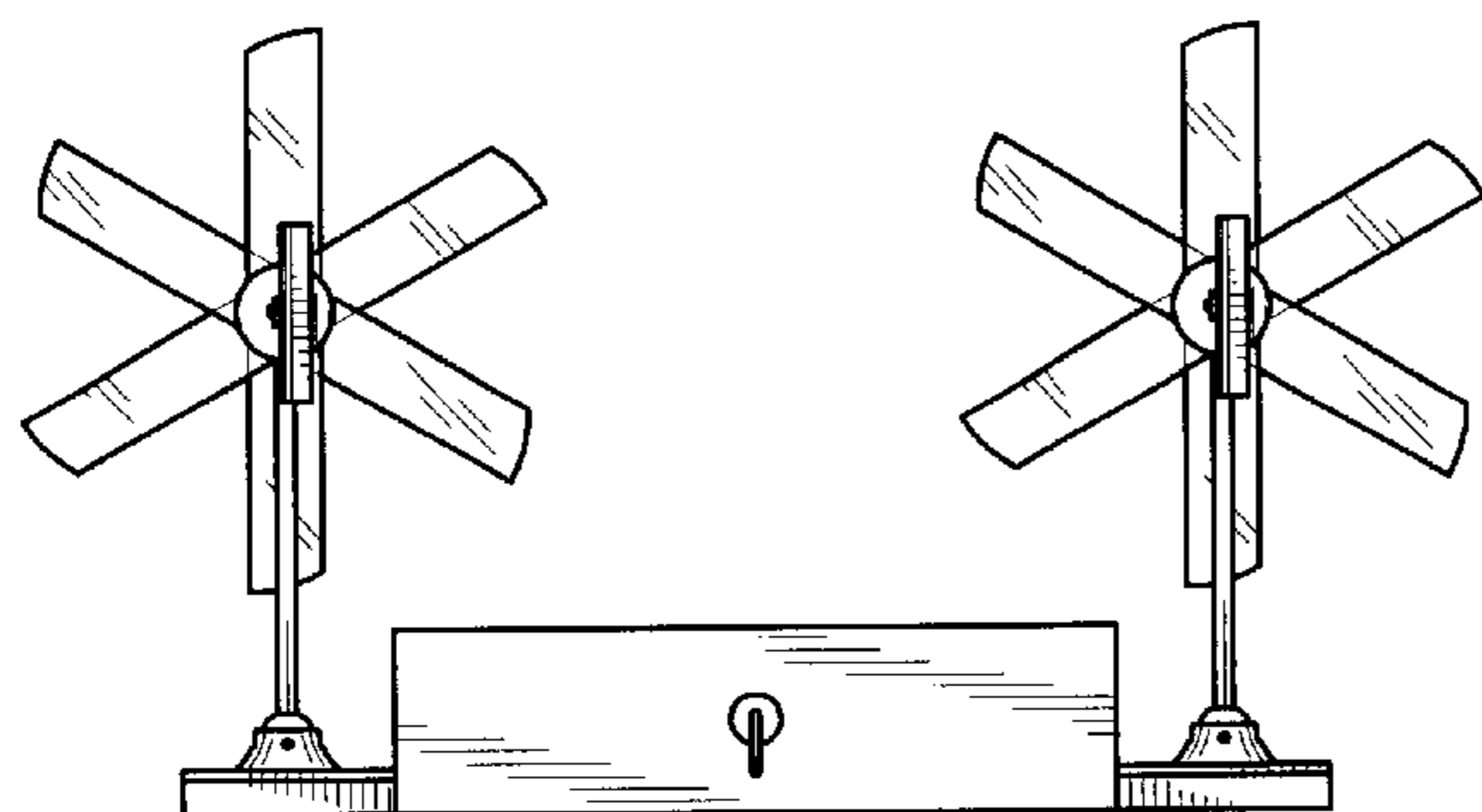
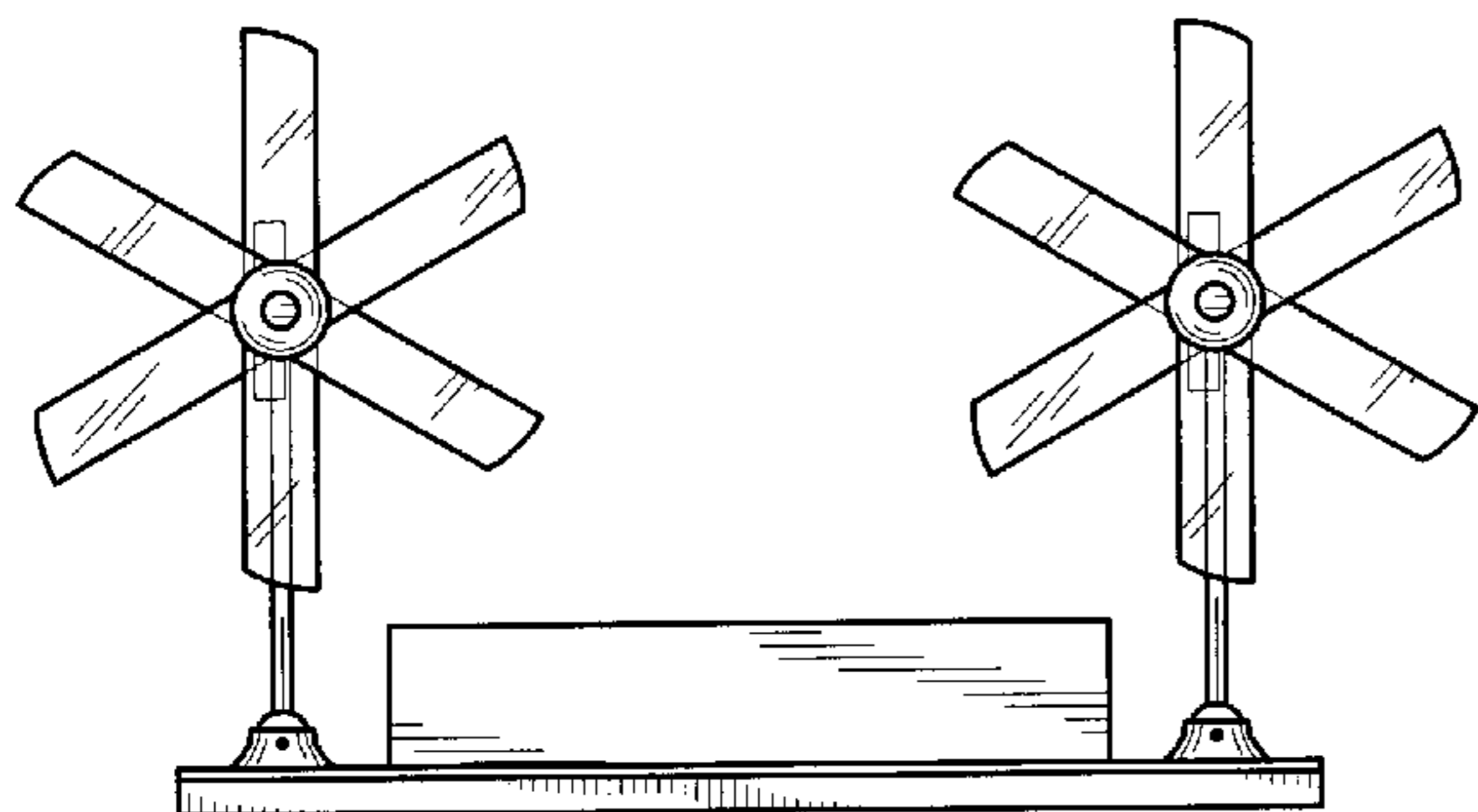
FIG. 3 is a left side view of the present invention.

FIG. 4 is a right side view of the present invention.

FIG. 5 is a top view of the present invention; and,

FIG. 6 is a bottom view of the present invention.

1 Claim, 3 Drawing Sheets



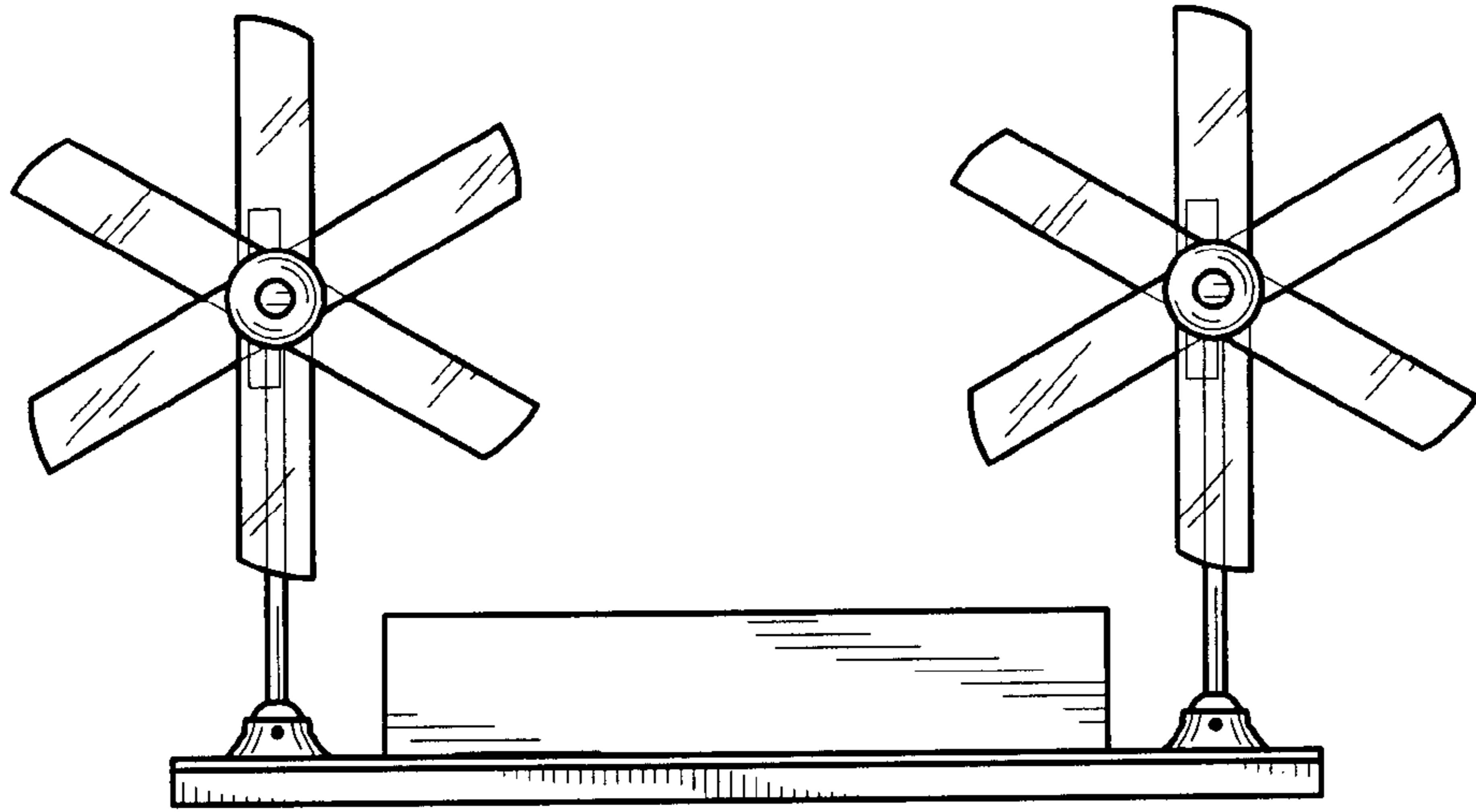


Fig. 1

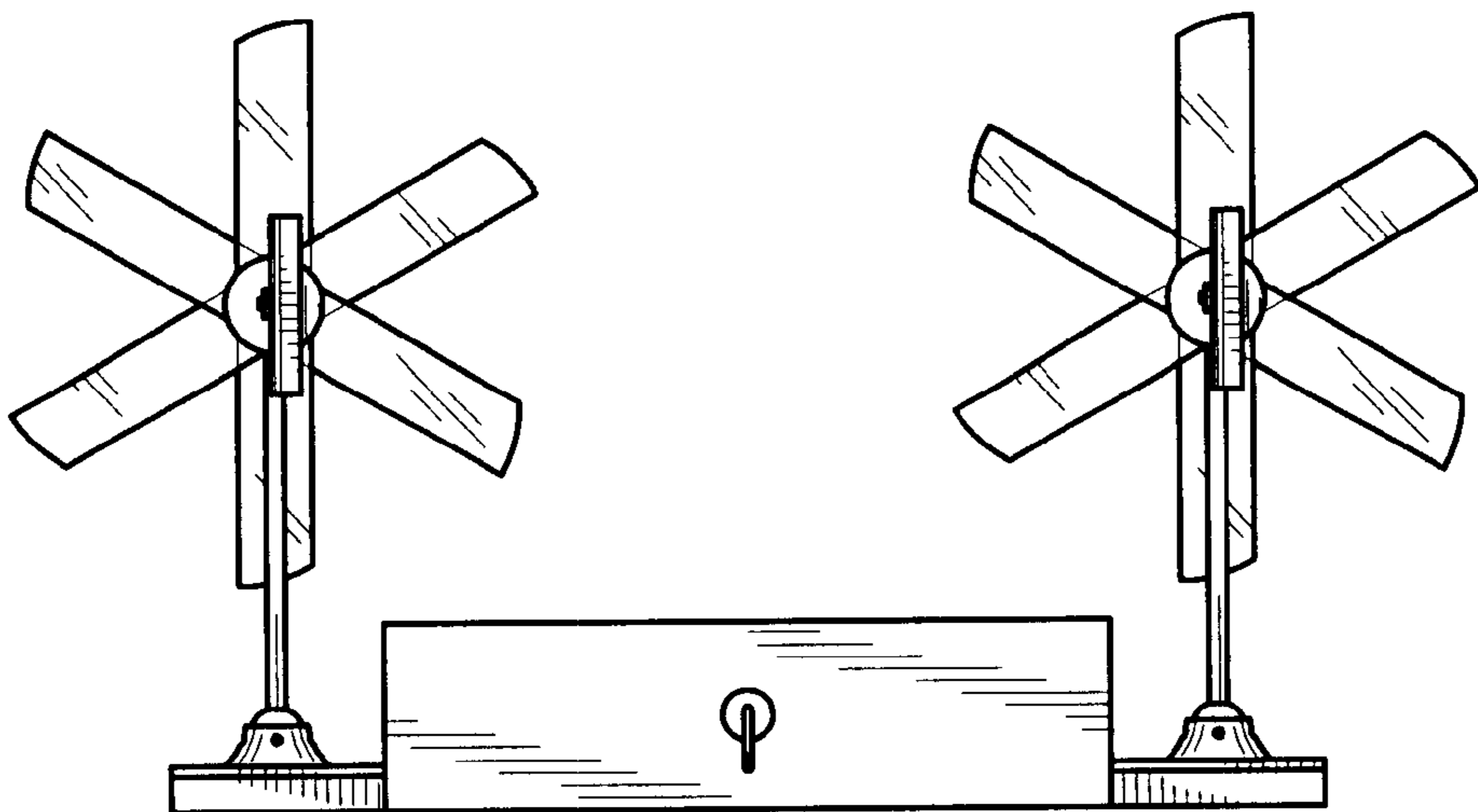


Fig. 2

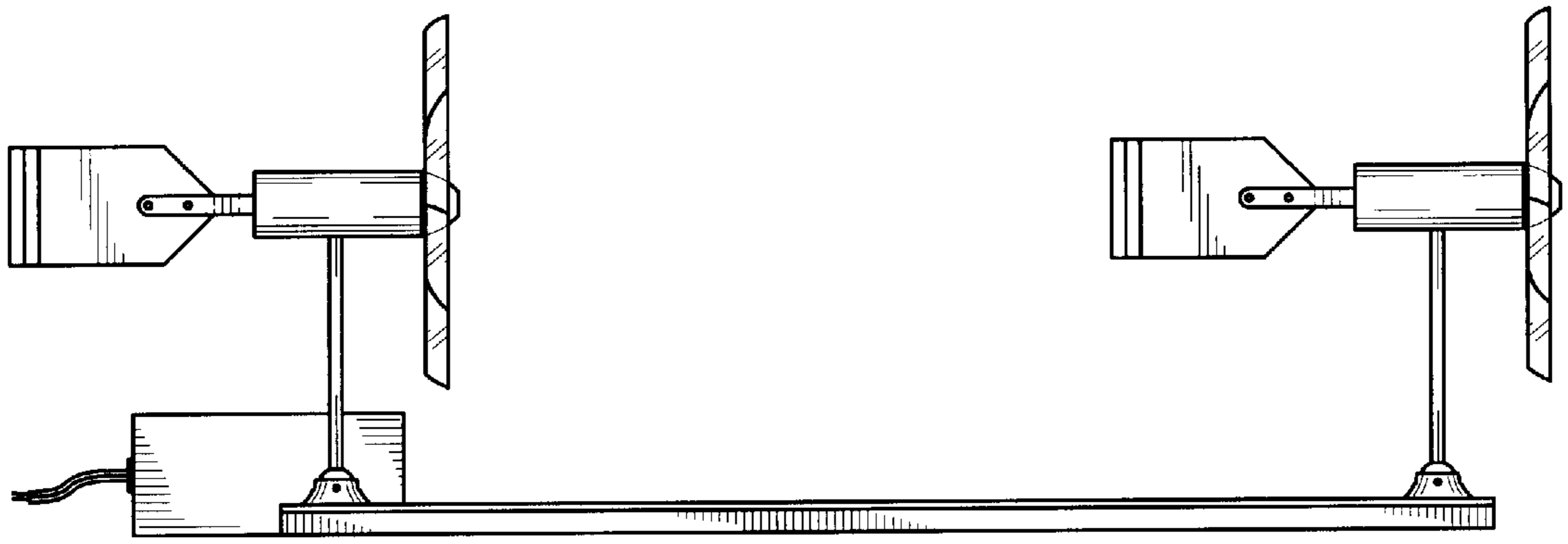


Fig. 3

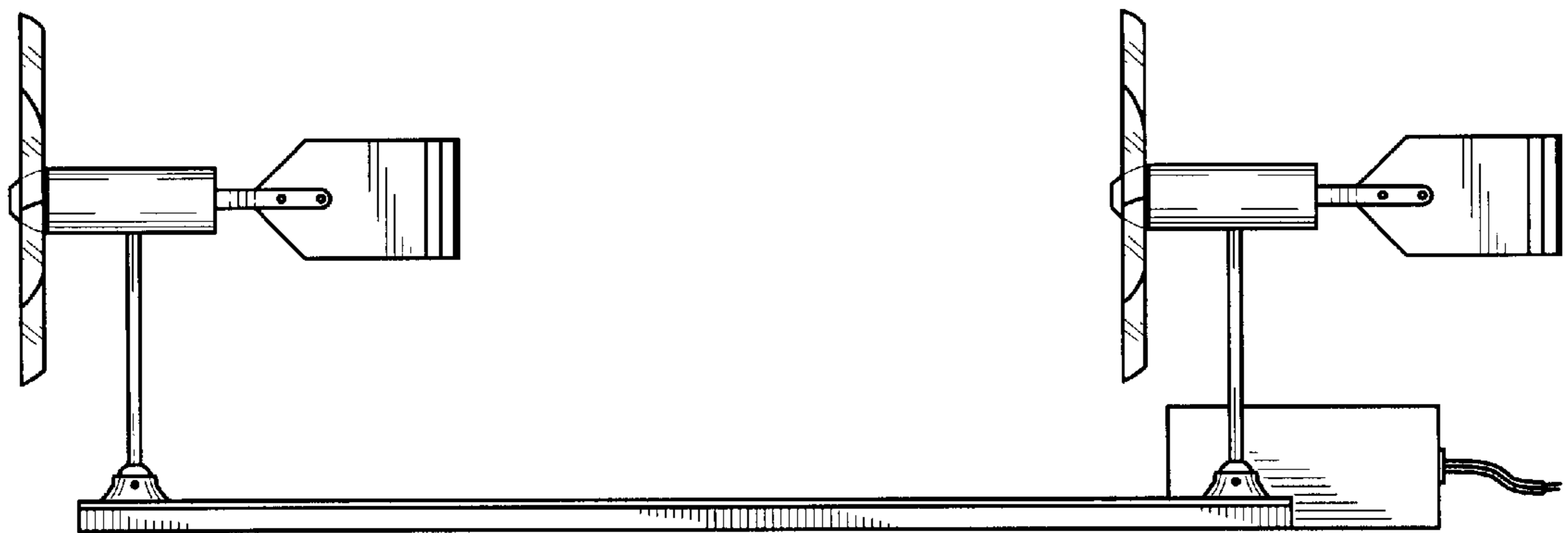


Fig. 4

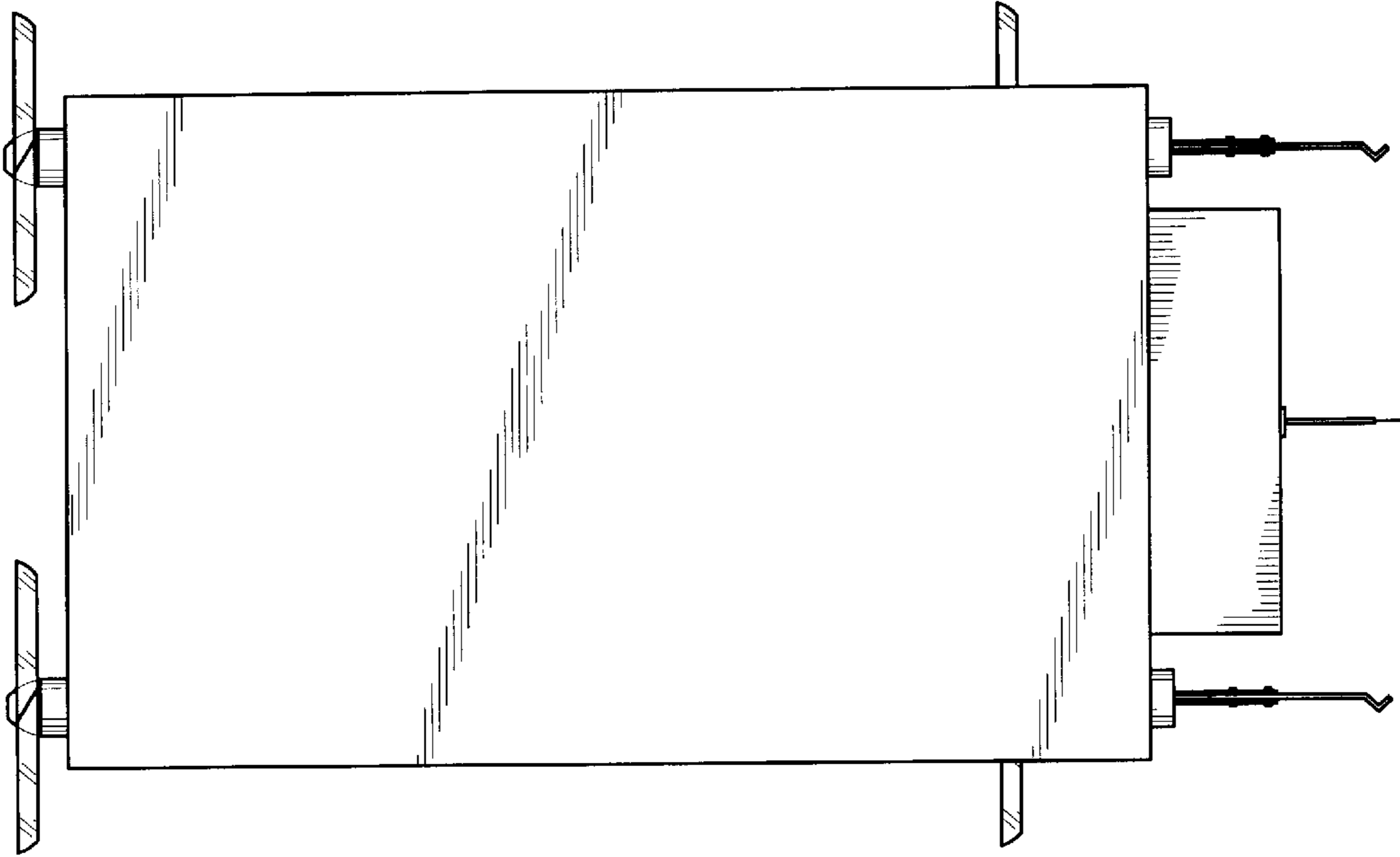


Fig. 6

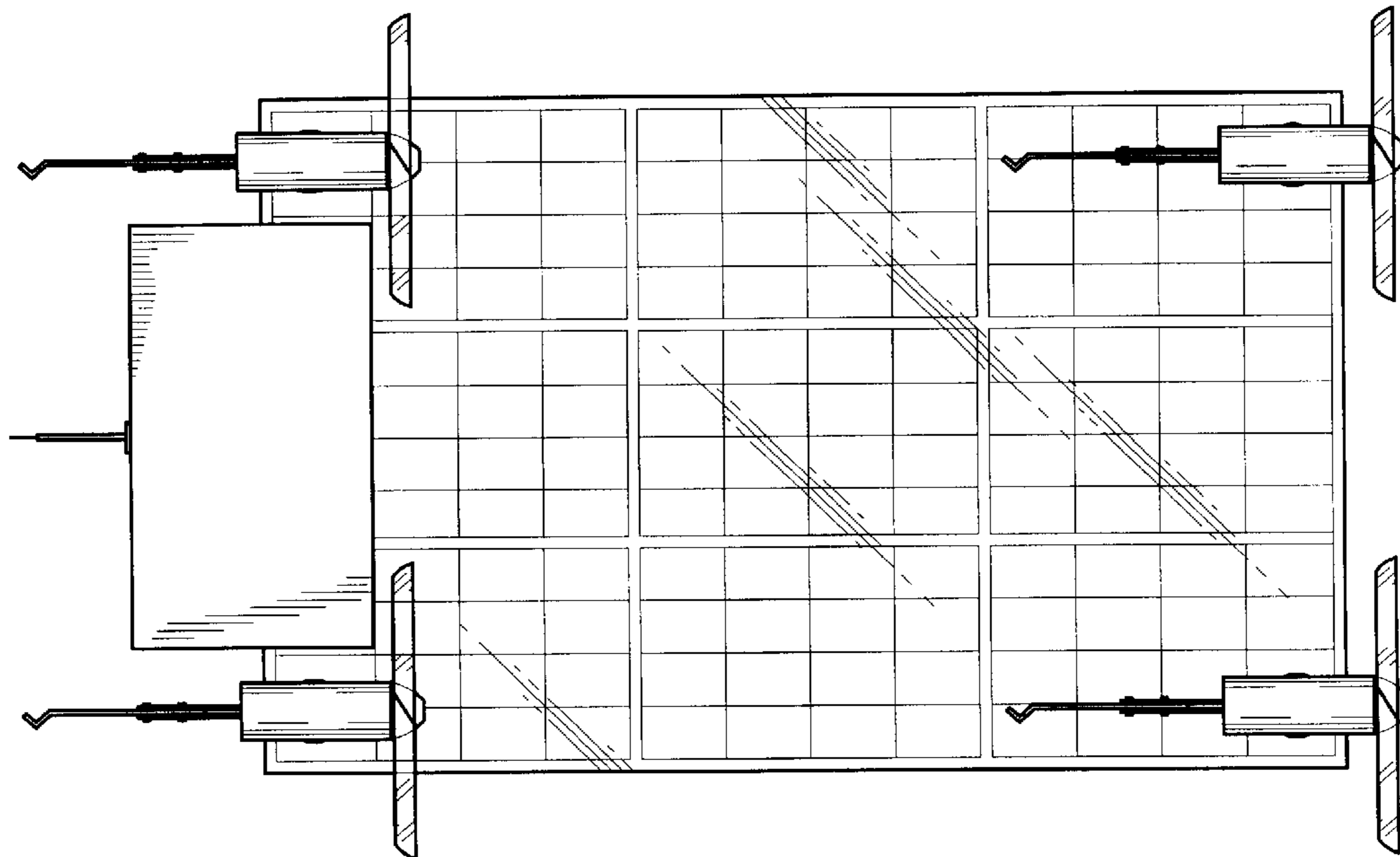


Fig. 5