



US00D465446S

(12) **United States Design Patent**
Aube

(10) **Patent No.:** **US D465,446 S**

(45) **Date of Patent:** **** Nov. 12, 2002**

(54) **SEATING ARRANGEMENT FOR A BOAT**

Primary Examiner—Lisa Lichtenstein

(75) Inventor: **Martin Aube**, Sherbrooke (CA)

(74) *Attorney, Agent, or Firm*—Pillsbury Winthrop LLP

(73) Assignee: **Bombardier Inc.**, Valcourt (CA)

(57) **CLAIM**

(**) Term: **14 Years**

The ornamental design of a seating arrangement for a boat, as shown and described.

(21) Appl. No.: **29/157,288**

(22) Filed: **Mar. 13, 2002**

DESCRIPTION

Related U.S. Application Data

(62) Division of application No. 29/127,684, filed on Aug. 9, 2000, now Pat. No. Des. 459,693.

FIG. 1 is a perspective illustration, from the rear and left side, of the seating arrangement for a boat according to my design; and,

(51) **LOC (7) Cl.** **12-06**

FIG. 2 is a top view thereof.

(52) **U.S. Cl.** **D12/300**

While not illustrated, applicant is intending to claim as a second embodiment the mirror-image orientation of the design.

(58) **Field of Search** D12/300–318;
114/270, 271

In FIGS. 1 and 2, broken lines showing environment or structure are for illustrative purposes only and form no part of the claimed design.

(56) **References Cited**

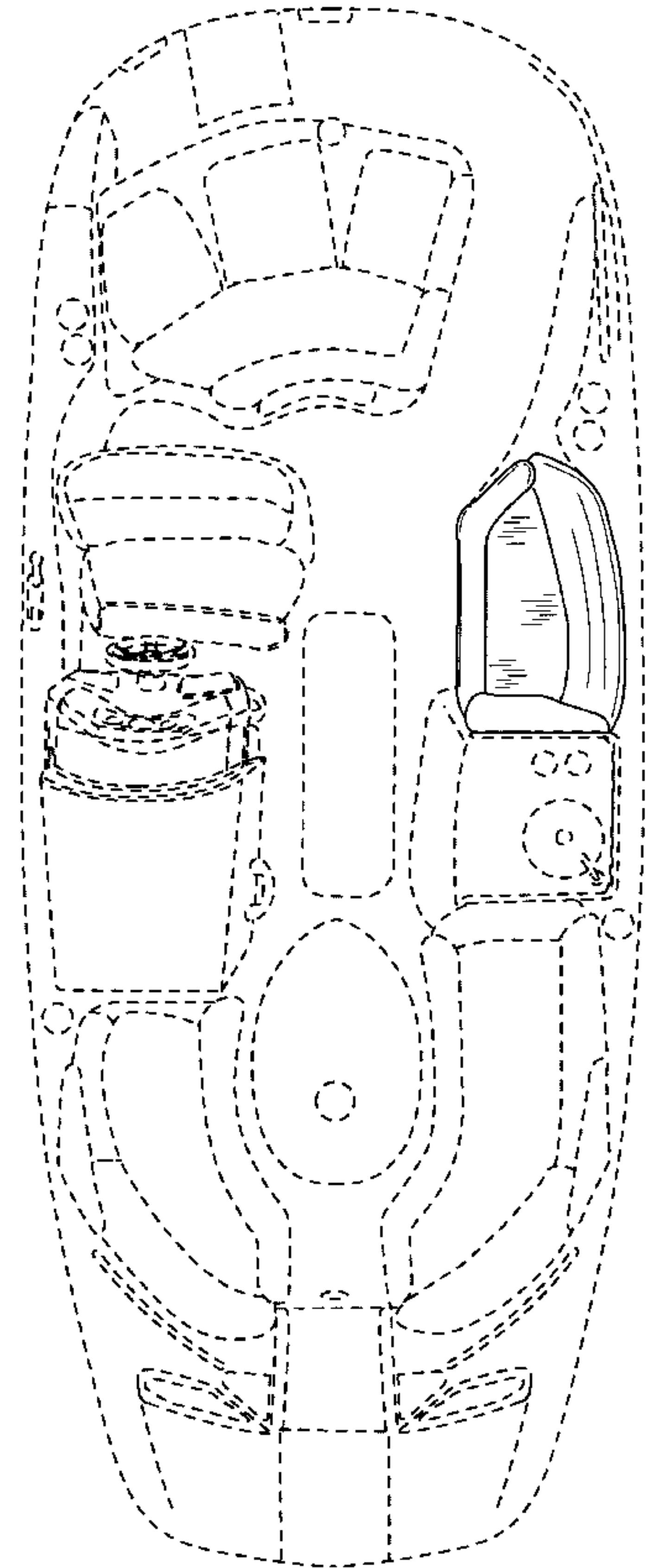
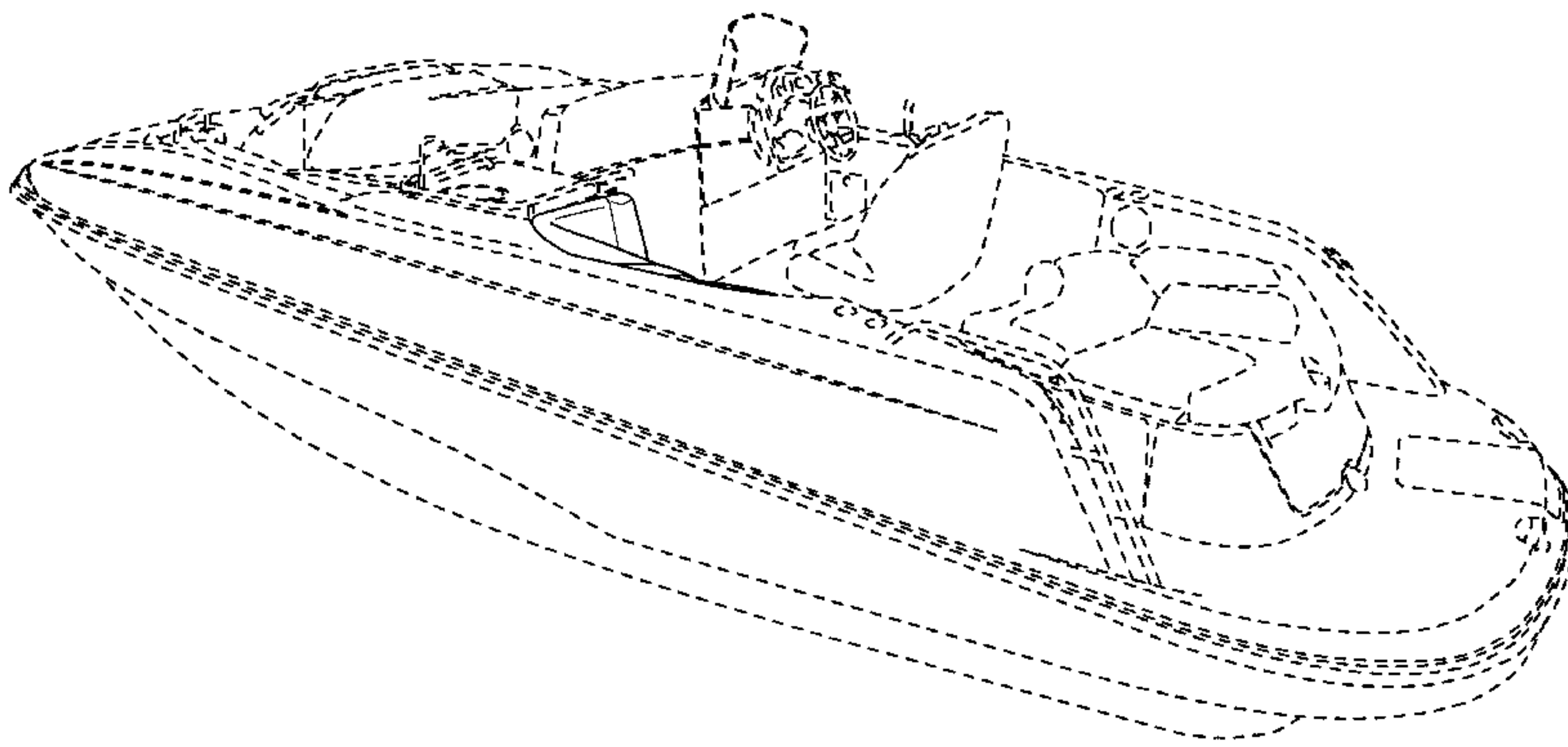
U.S. PATENT DOCUMENTS

D301,711 S * 6/1989 Albritton D12/300
D409,555 S * 5/1999 LaPointe et al. D12/300

The omission of a view indicates that the omitted view is plain and unornamented.

* cited by examiner

1 Claim, 2 Drawing Sheets



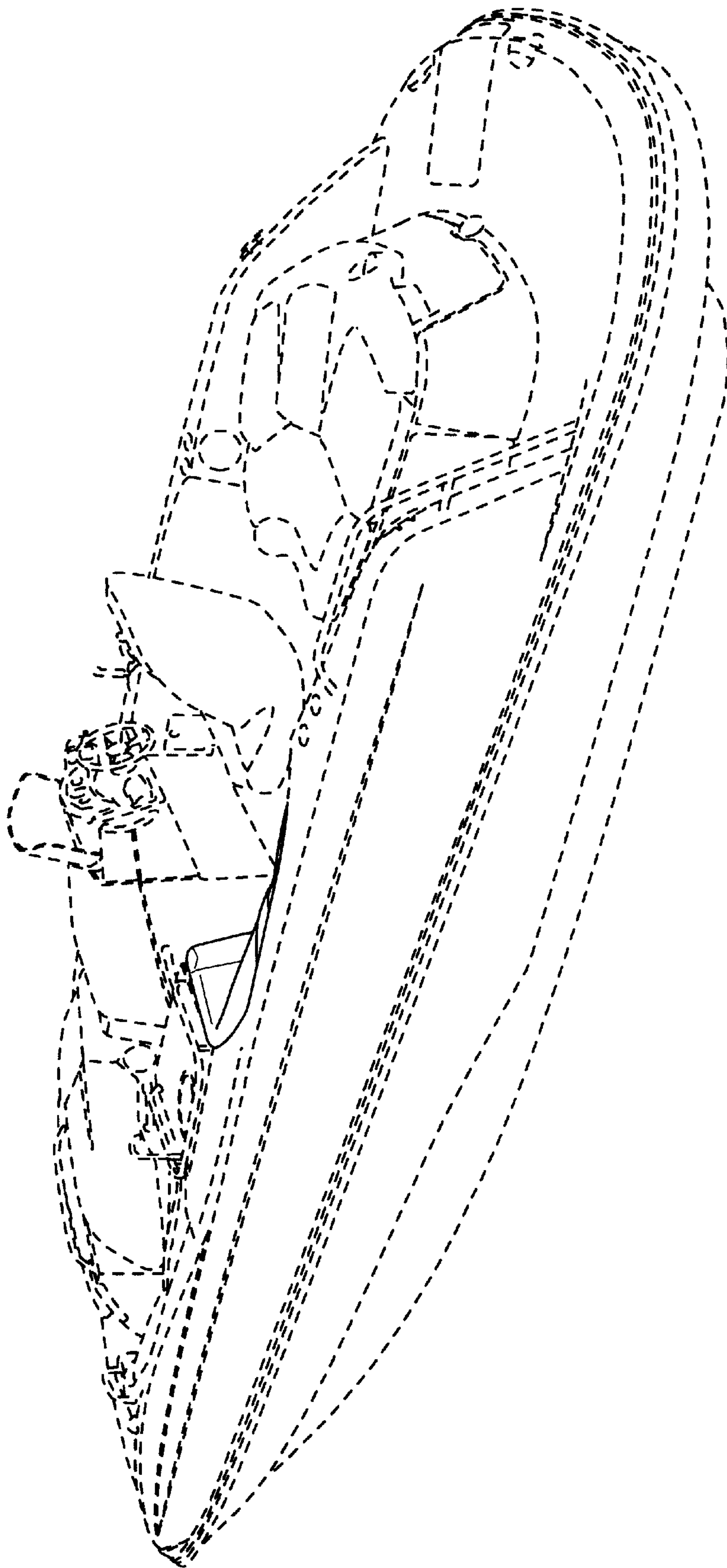


FIG. 1

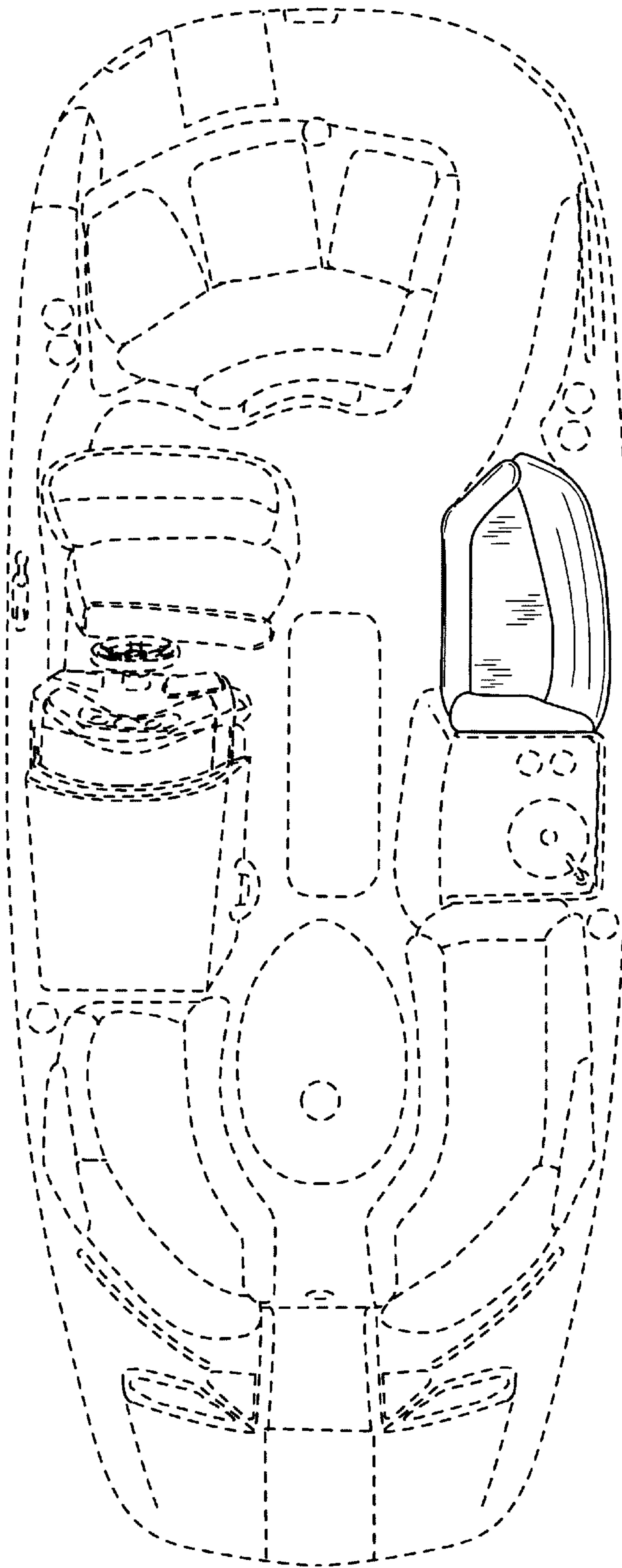


FIG. 2