



US00D465444S

(12) **United States Design Patent**  
**Witham**

(10) **Patent No.:** **US D465,444 S**

(45) **Date of Patent:** **\*\* Nov. 12, 2002**

(54) **AUTOMOBILE MUFFLER TIP**

(76) Inventor: **Roger D. Witham**, 11706 N.  
Houston-Rosslyn Rd., Houston, TX  
(US) 77086

(\*\*) Term: **14 Years**

(21) Appl. No.: **29/137,228**

(22) Filed: **Feb. 15, 2001**

(51) **LOC (7) Cl.** ..... **12-16**

(52) **U.S. Cl.** ..... **D12/194**

(58) **Field of Search** ..... D12/194, 400;  
181/227, 228, 239, 241, 257-258, 264,  
282; D15/5; 239/127; 29/39.04-39.05, 282,  
890.8; 60/313, 323, 299, 302

(56) **References Cited**

**U.S. PATENT DOCUMENTS**

|             |         |         |
|-------------|---------|---------|
| D101,840 S  | 2/1936  | Koch    |
| D177,877 S  | 5/1956  | Sandler |
| D179,267 S  | 11/1956 | Russel  |
| D180,886 S  | 8/1957  | Russell |
| D181,944 S  | 1/1958  | Russell |
| D184,198 S  | 12/1958 | Russell |
| 2,868,229 A | 1/1959  | Russell |
| 2,909,235 A | 11/1959 | Beranek |

|             |          |                            |
|-------------|----------|----------------------------|
| D254,904 S  | 5/1980   | Sweringen                  |
| D357,665 S  | 4/1995   | Creyts                     |
| D384,319 S  | * 9/1997 | Harutiunian ..... D12/194  |
| D394,236 S  | * 5/1998 | Verlengiere ..... D12/194  |
| D423,436 S  | * 4/2000 | Larson ..... D12/194       |
| 6,085,863 A | * 7/2000 | Shuen ..... 181/228        |
| D447,456 S  | * 9/2001 | Larson et al. .... D12/194 |

\* cited by examiner

*Primary Examiner*—Stacia Cadmus

(74) *Attorney, Agent, or Firm*—Nick A. Nichols, Jr.

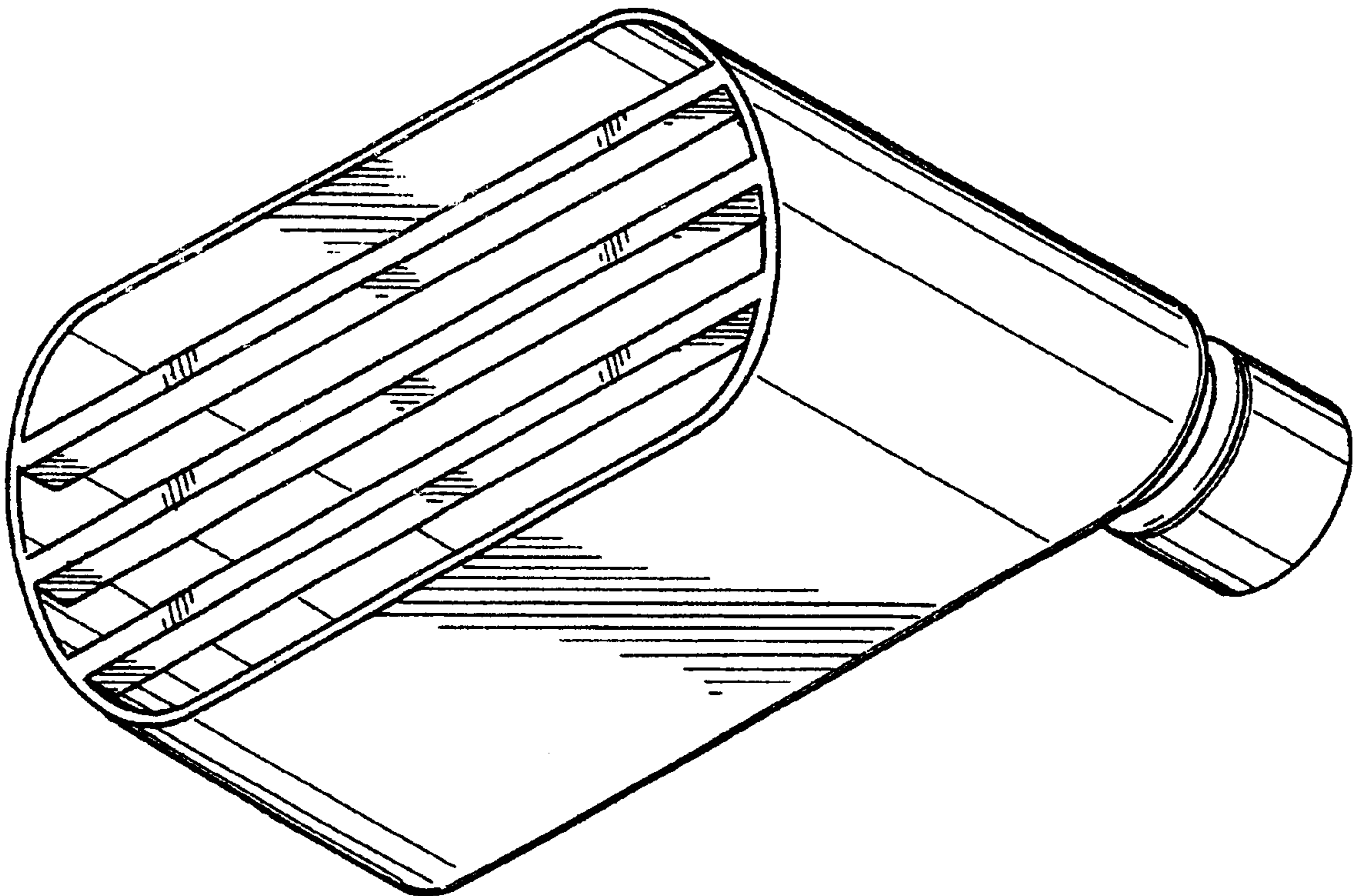
(57) **CLAIM**

The ornamental design for an automobile muffler tip, as shown and described.

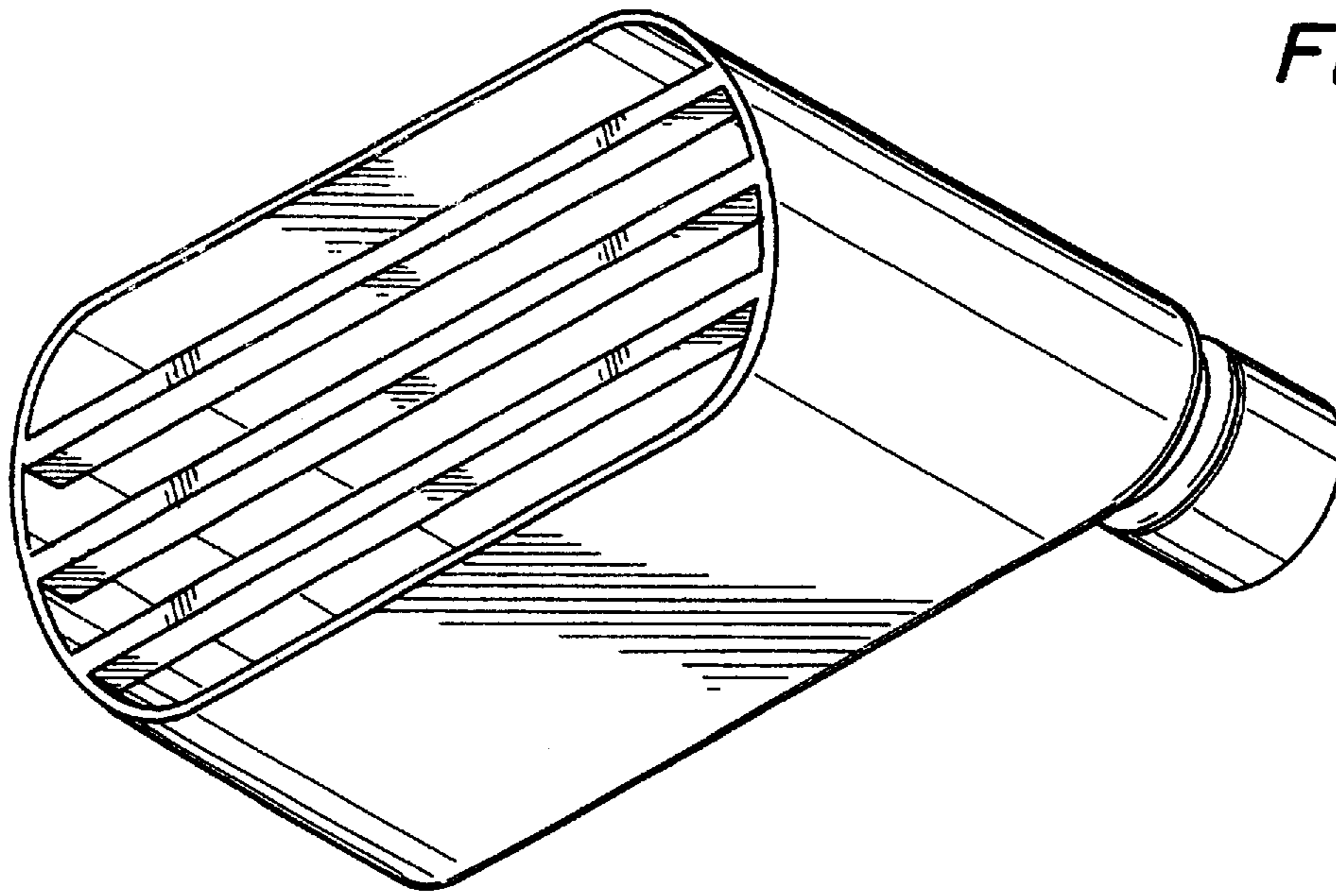
**DESCRIPTION**

FIG. 1 is a perspective view of an automobile muffler tip showing my new design;  
FIG. 2 is a side view thereof, the opposite side being a mirror image;  
FIG. 3 is a bottom view thereof;  
FIG. 4 is a top view thereof;  
FIG. 5 is a rear view thereof;  
FIG. 6 is front view thereof; and,  
FIG. 7 is a bottom view thereof depicting the muffler connecting pipe located opposite the view shown in FIG. 3.

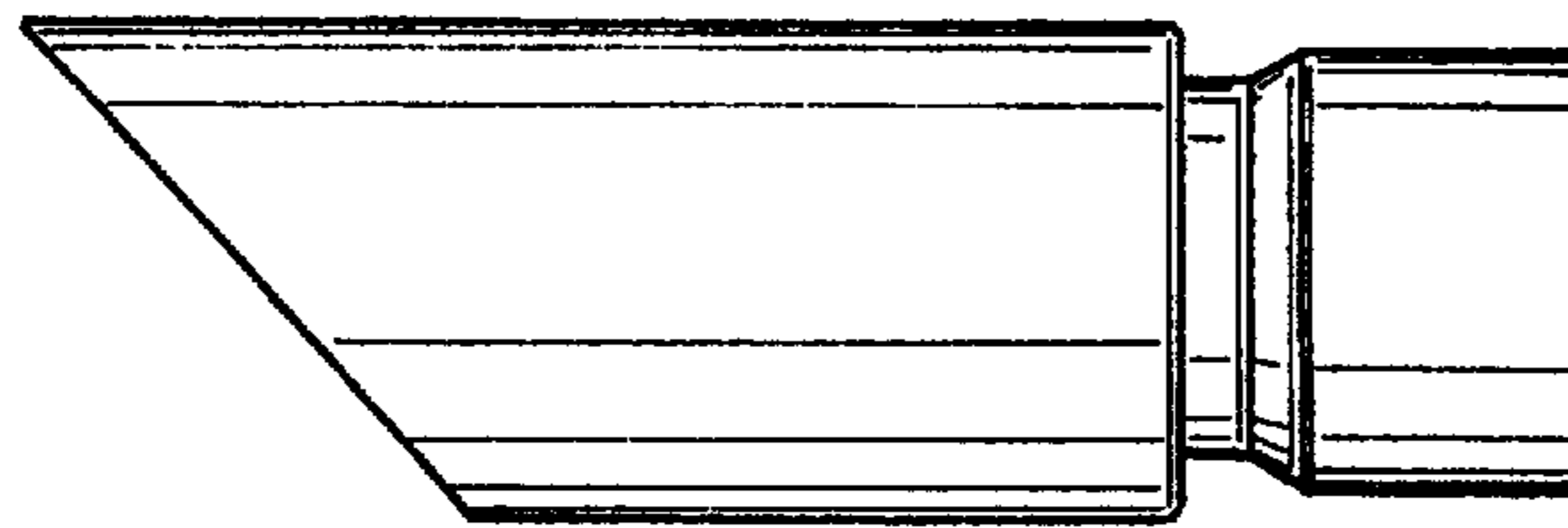
**1 Claim, 2 Drawing Sheets**



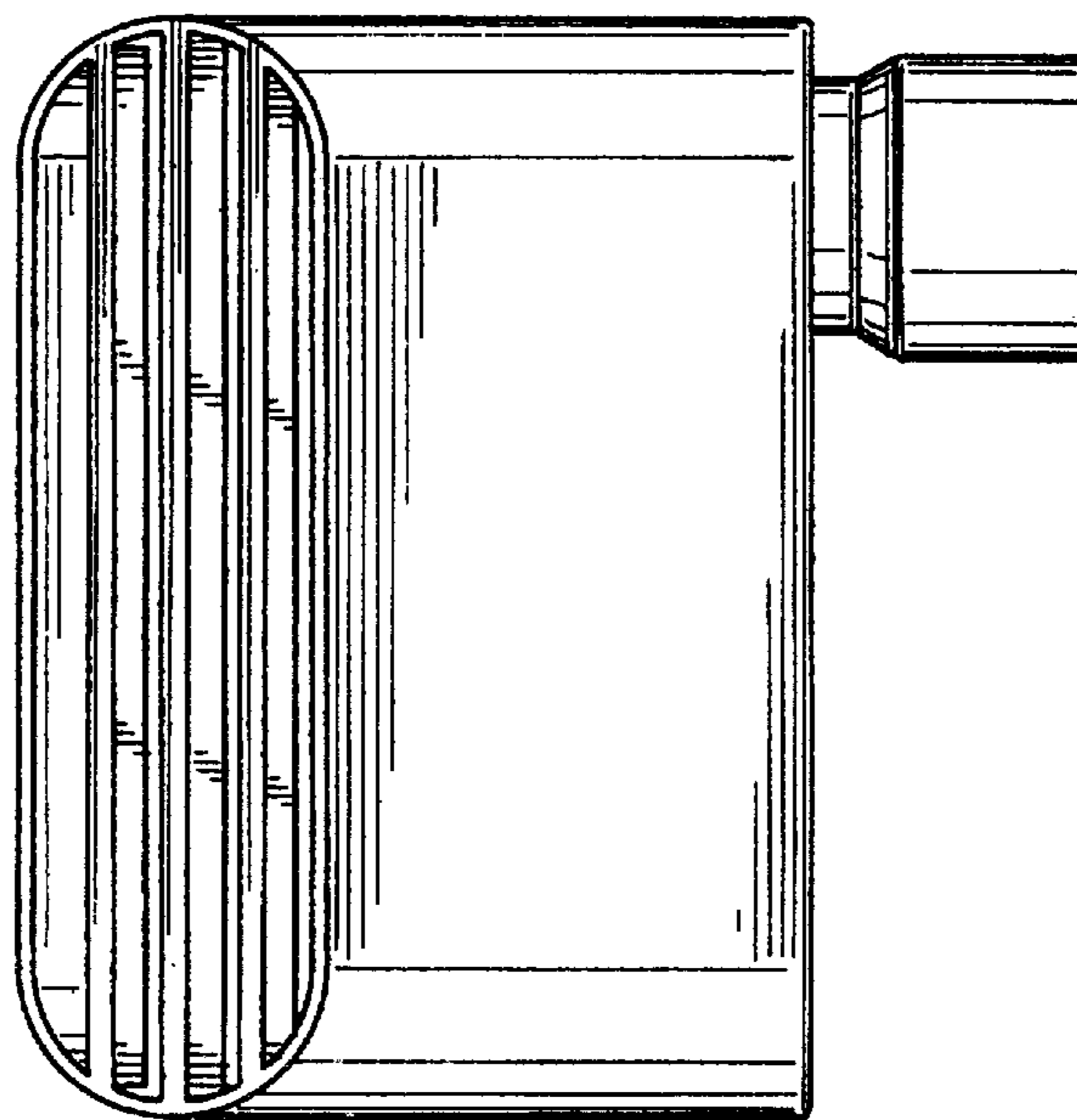
*FIG. 1*

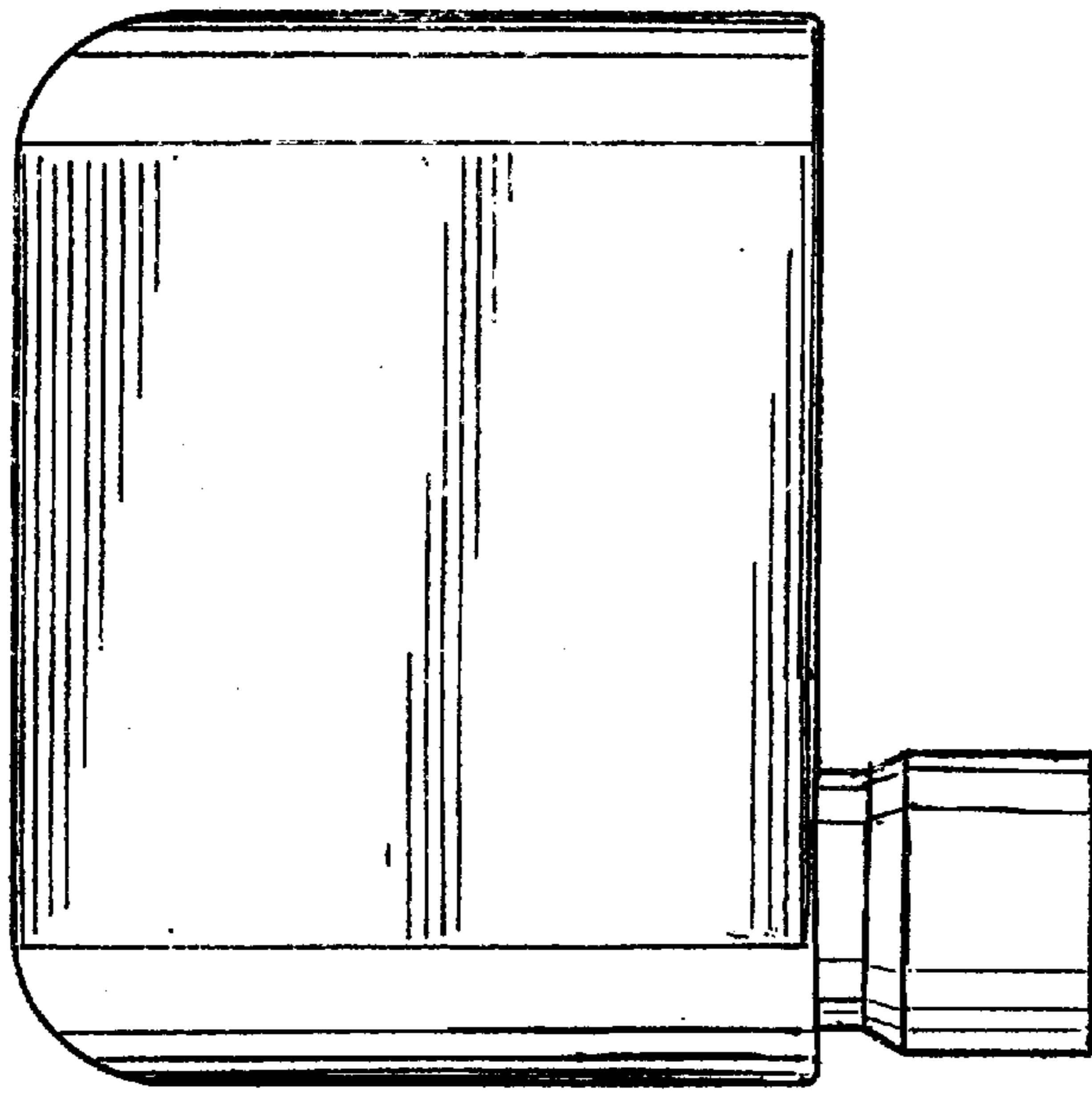


*FIG. 2*

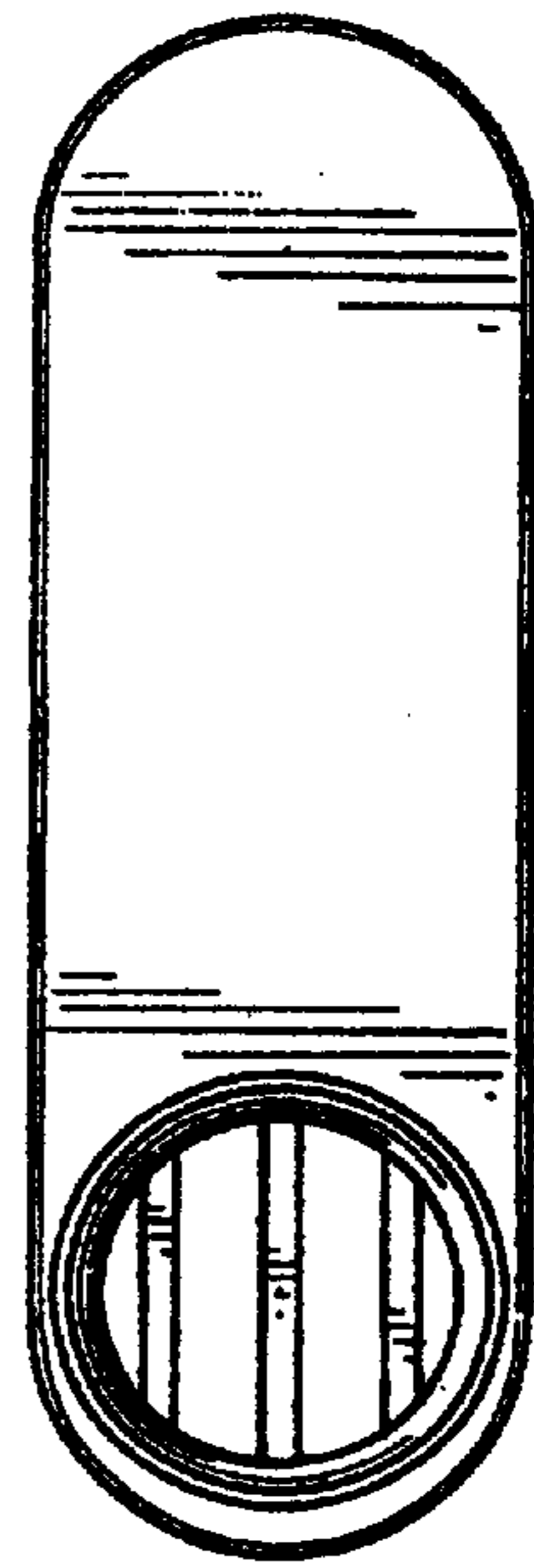


*FIG. 3*

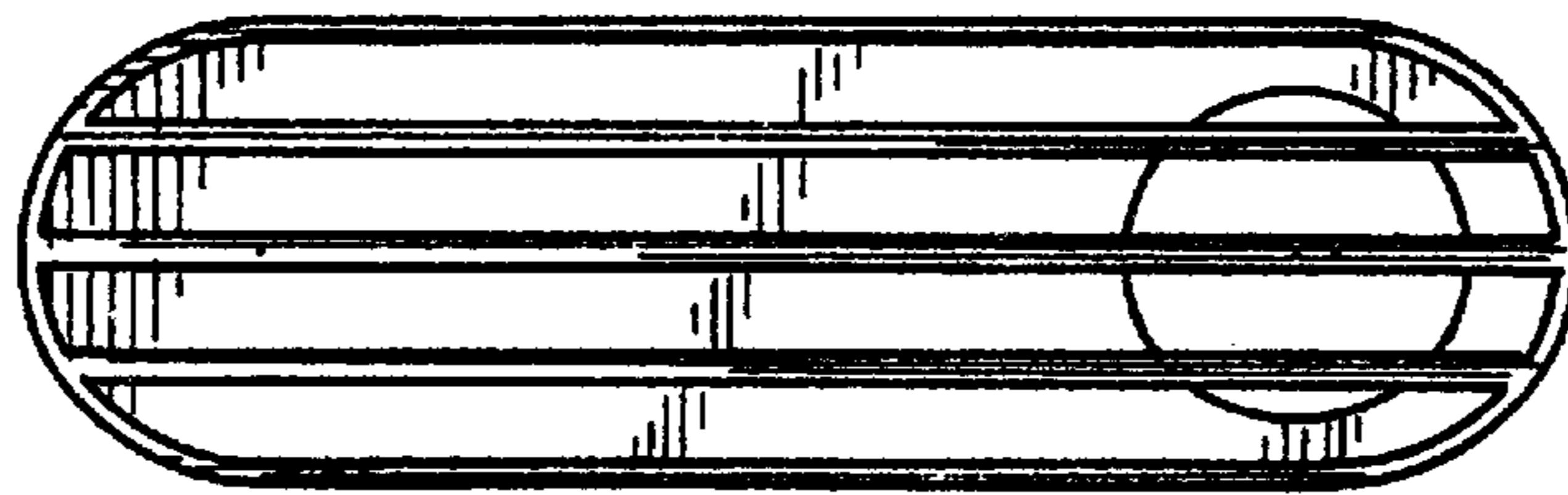




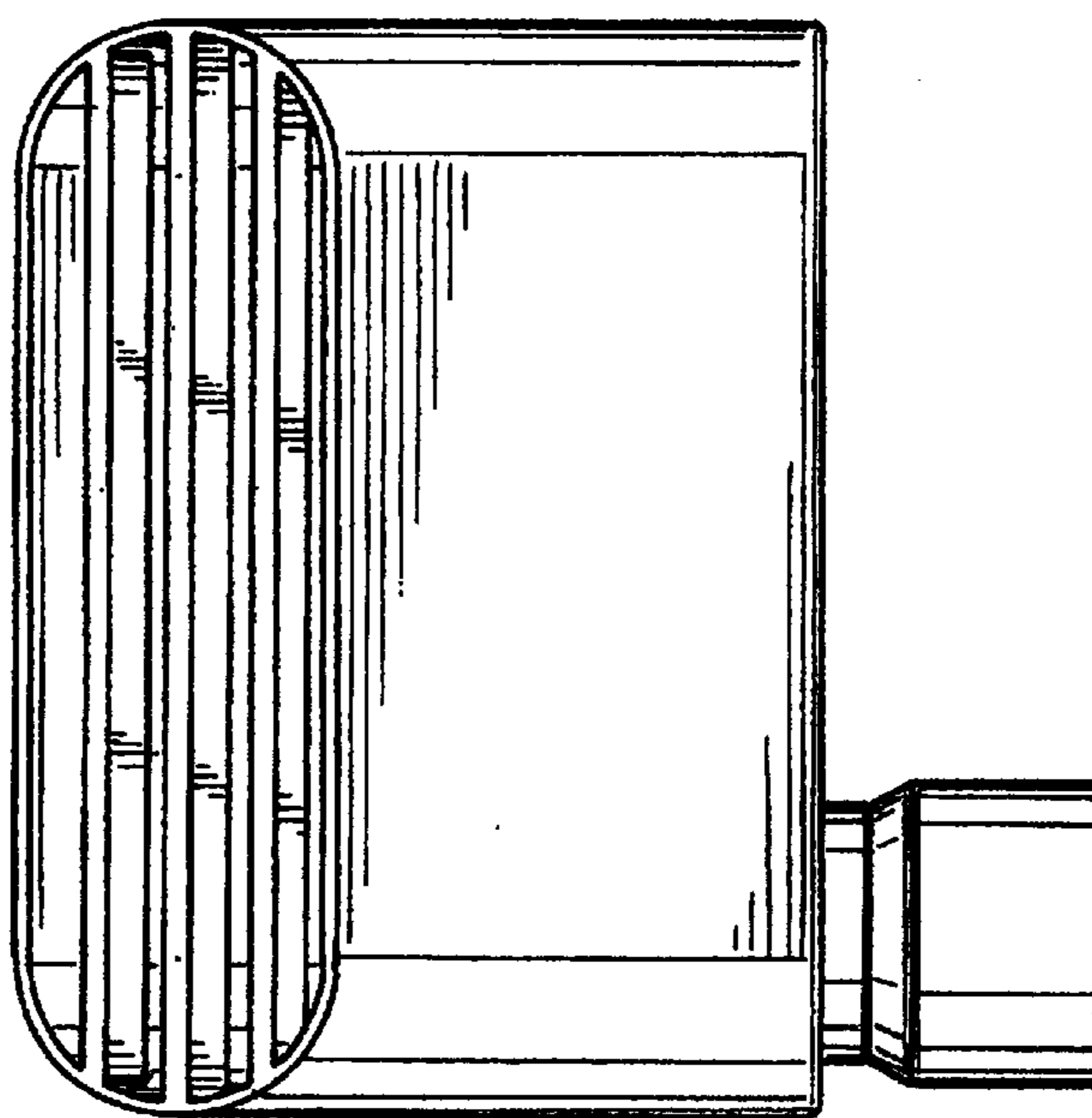
*FIG. 4*



*FIG. 5*



*FIG. 6*



*FIG. 7*