



US00D465443S

(12) **United States Design Patent**  
**Gilbert**

(10) **Patent No.:** **US D465,443 S**

(45) **Date of Patent:** **\*\* Nov. 12, 2002**

(54) **MOTORCYCLE MIRROR**

*Primary Examiner*—Cathy Anne MacCormac

(76) Inventor: **Jacques Gilbert**, 13185, 12eme avenue,  
app.1, St-Georges Est, Quebec (CA),  
G5Y 6H6

(57) **CLAIM**

The ornamental design for a “motorcycle mirror”, as shown.

(\*\*) Term: **14 Years**

**DESCRIPTION**

(21) Appl. No.: **29/129,390**

FIG. 1 is a perspective view of a motorcycle mirror showing my new design the motorcycle mirror being shown attached to a conventional stem, the stem being shown in phantom lines;

(22) Filed: **Sep. 13, 2000**

FIG. 2 is a left side elevational view thereof, the motorcycle mirror being shown attached to a conventional stem, the stem being shown in phantom lines, the right side elevational view is a mirror image of the left side;

(51) **LOC (7) Cl.** ..... **12-16**

(52) **U.S. Cl.** ..... **D12/187**

(58) **Field of Search** ..... D12/107, 110,  
D12/114, 187, 188; 359/838, 842, 844,  
848, 850, 855, 857, 859, 864, 867, 871–876,  
879, 880; D11/95, 99, 114

FIG. 3 is a front view thereof;

FIG. 4 is a rear view thereof;

(56) **References Cited**

**U.S. PATENT DOCUMENTS**

D37,865 S	*	3/1906	Dieges	.....	D11/95
D107,497 S	*	12/1937	Brady	.....	D11/95
D115,802 S	*	7/1939	Soderberg	.....	D12/188
D346,783 S	*	5/1994	Brainard	.....	D12/187
D386,472 S	*	11/1997	Eisenbraun et al.	.....	D12/187
D391,542 S	*	3/1998	Feighan	.....	D12/187
D431,508 S	*	10/2000	Matsumoto et al.	.....	D12/187

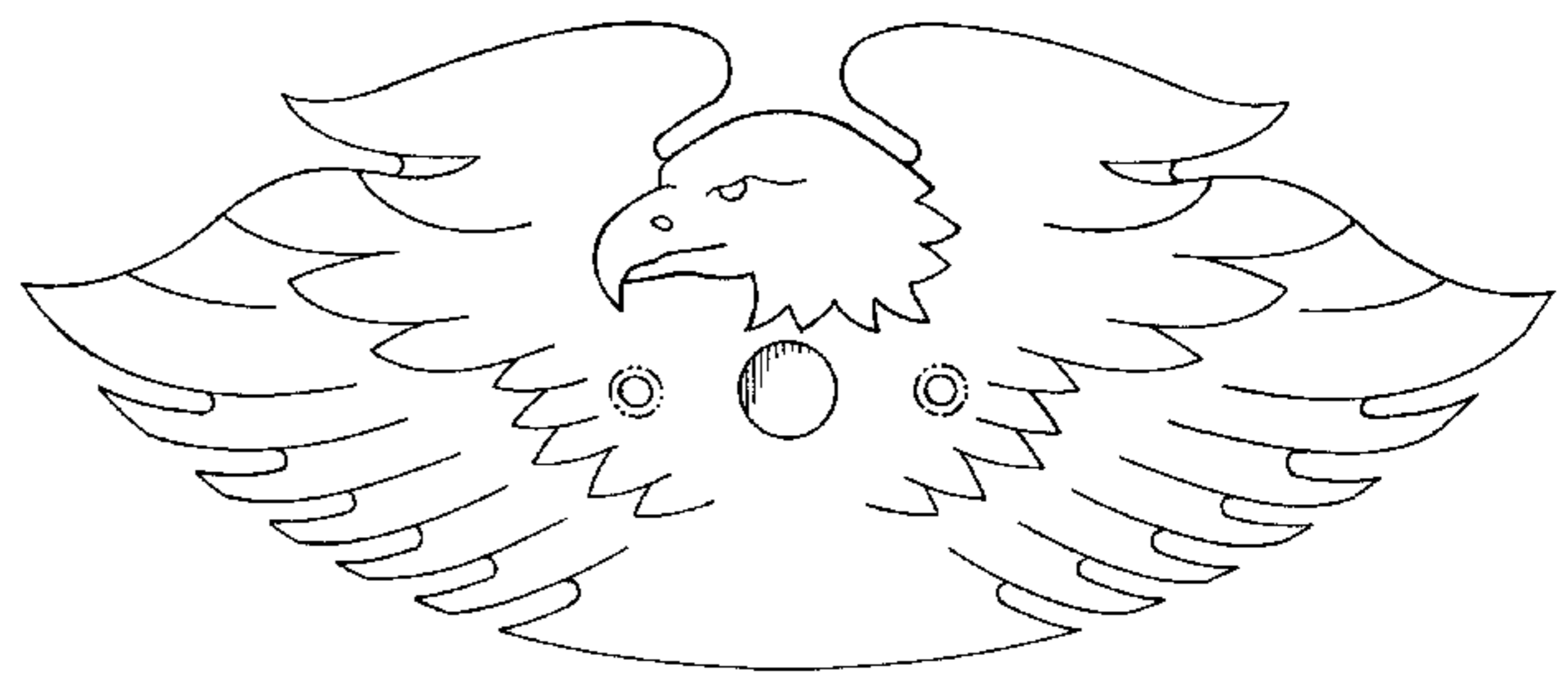
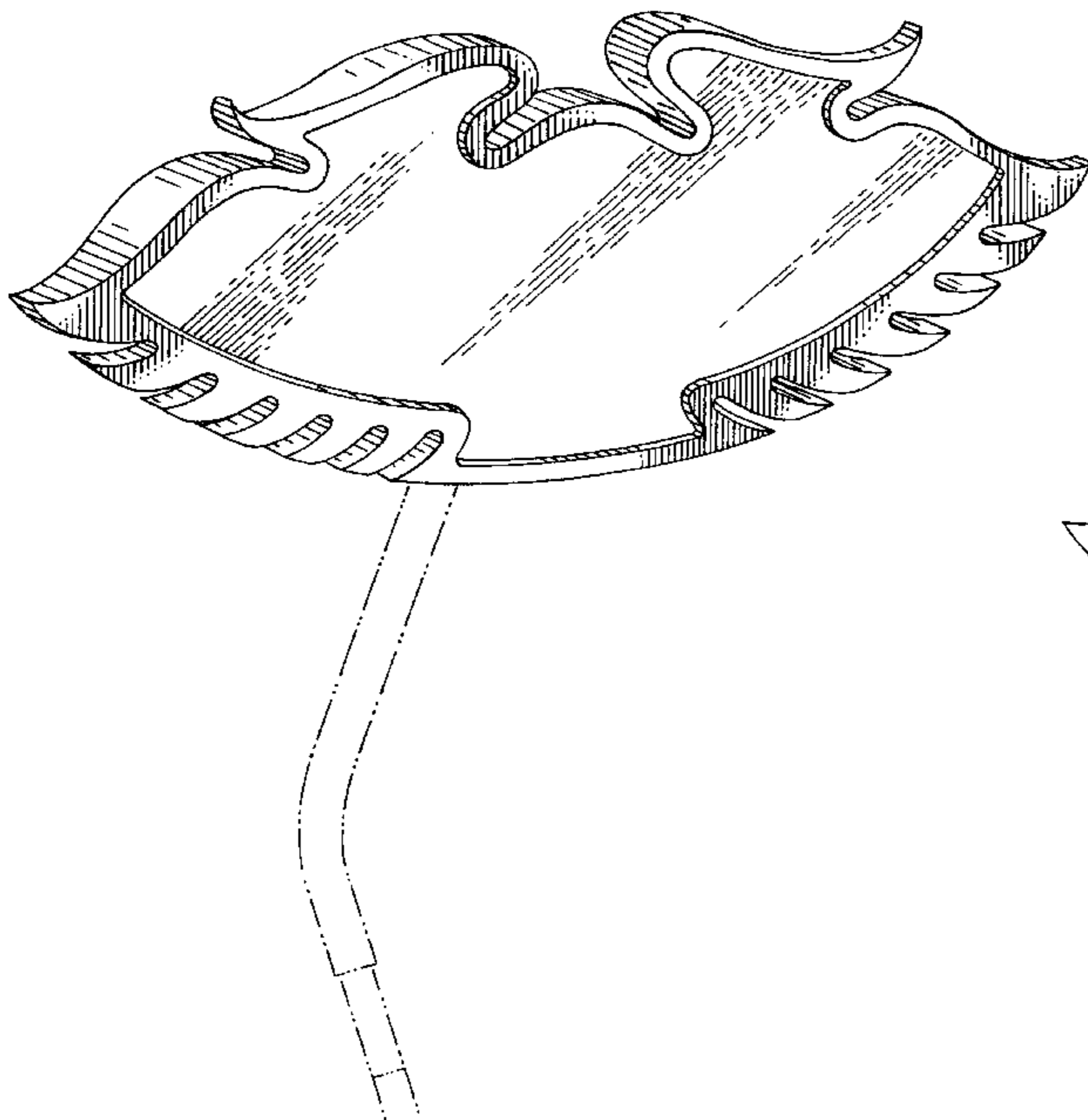
FIG. 5 is a top view thereof, the motorcycle mirror being shown attached to a conventional stem, the stem being shown in phantom lines; and,

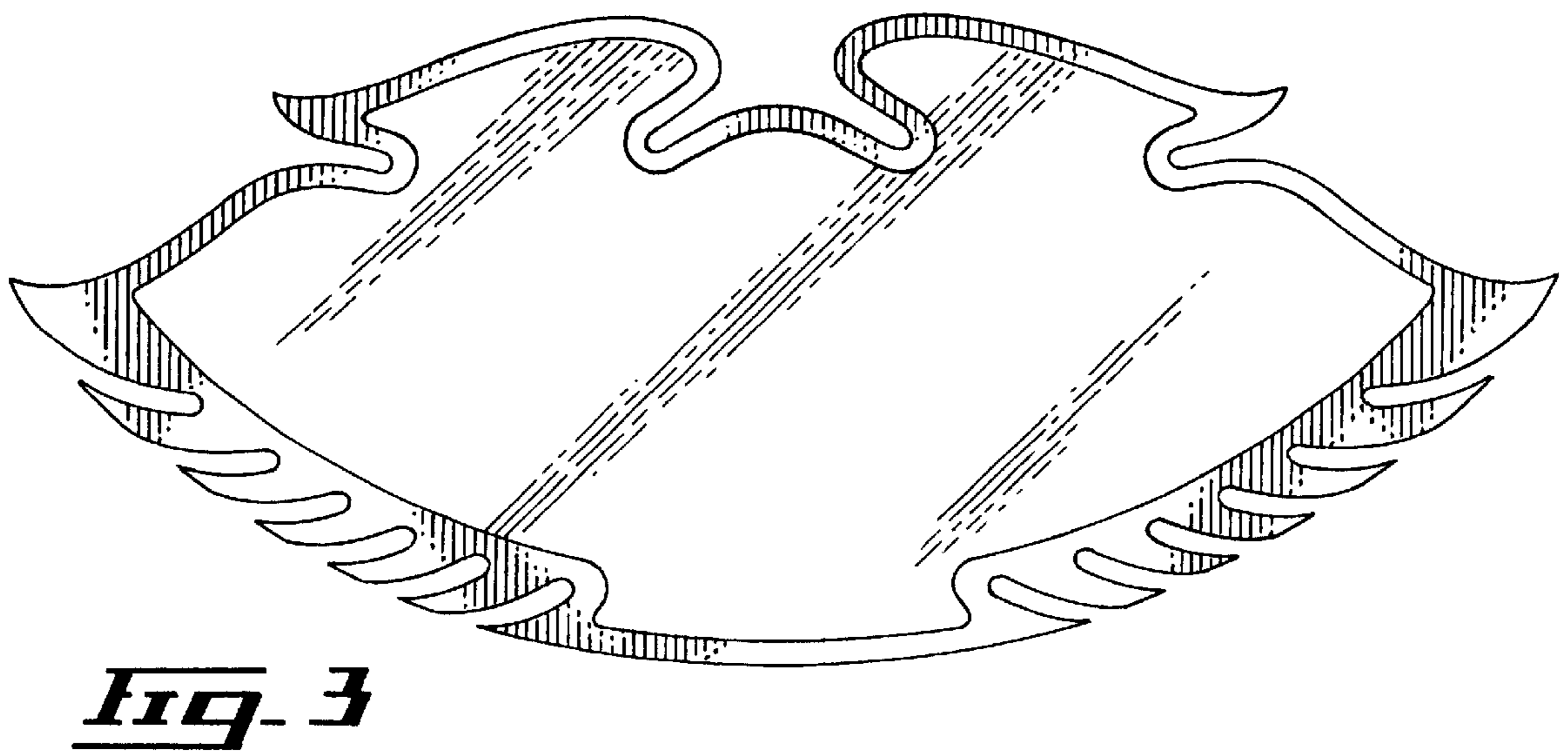
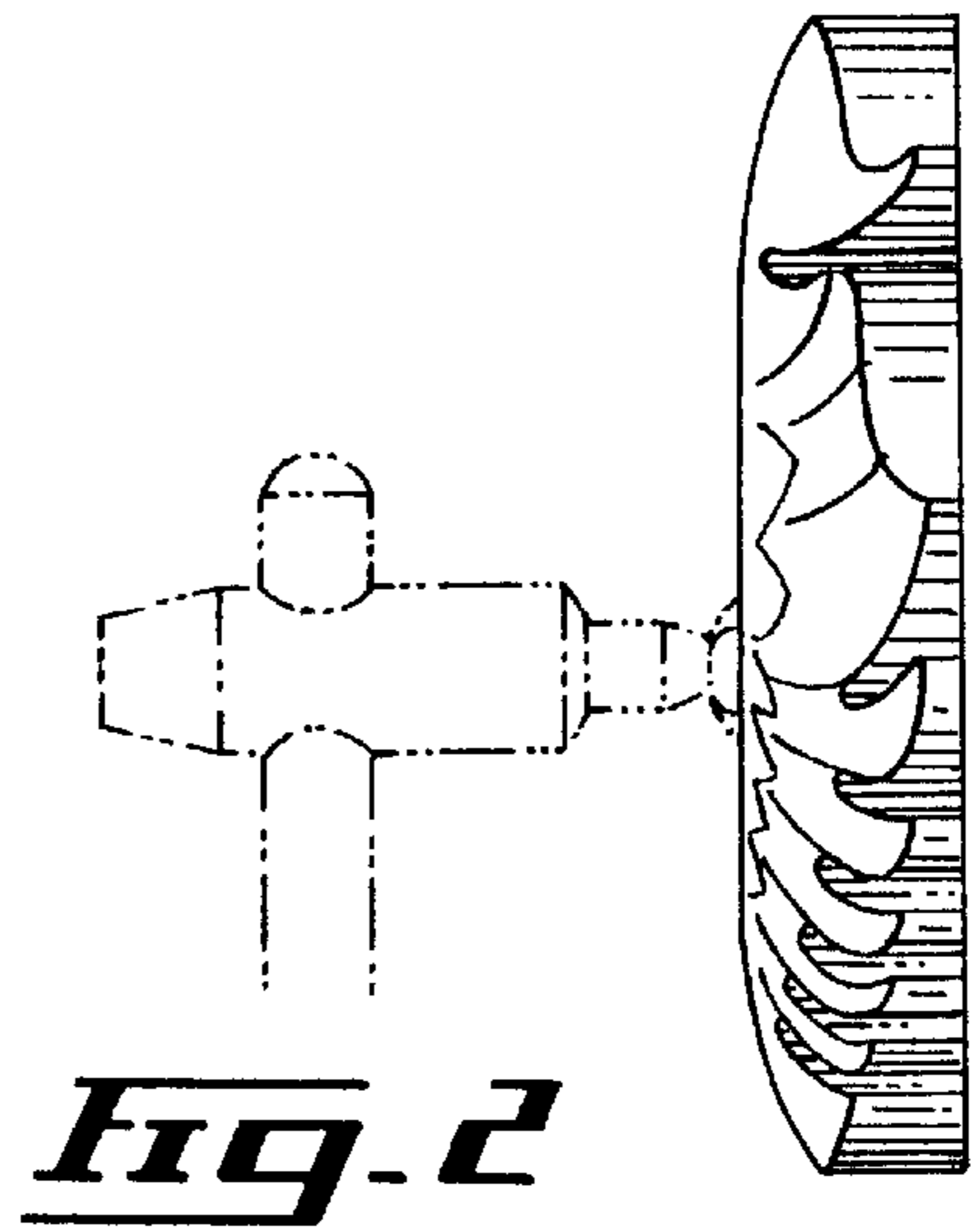
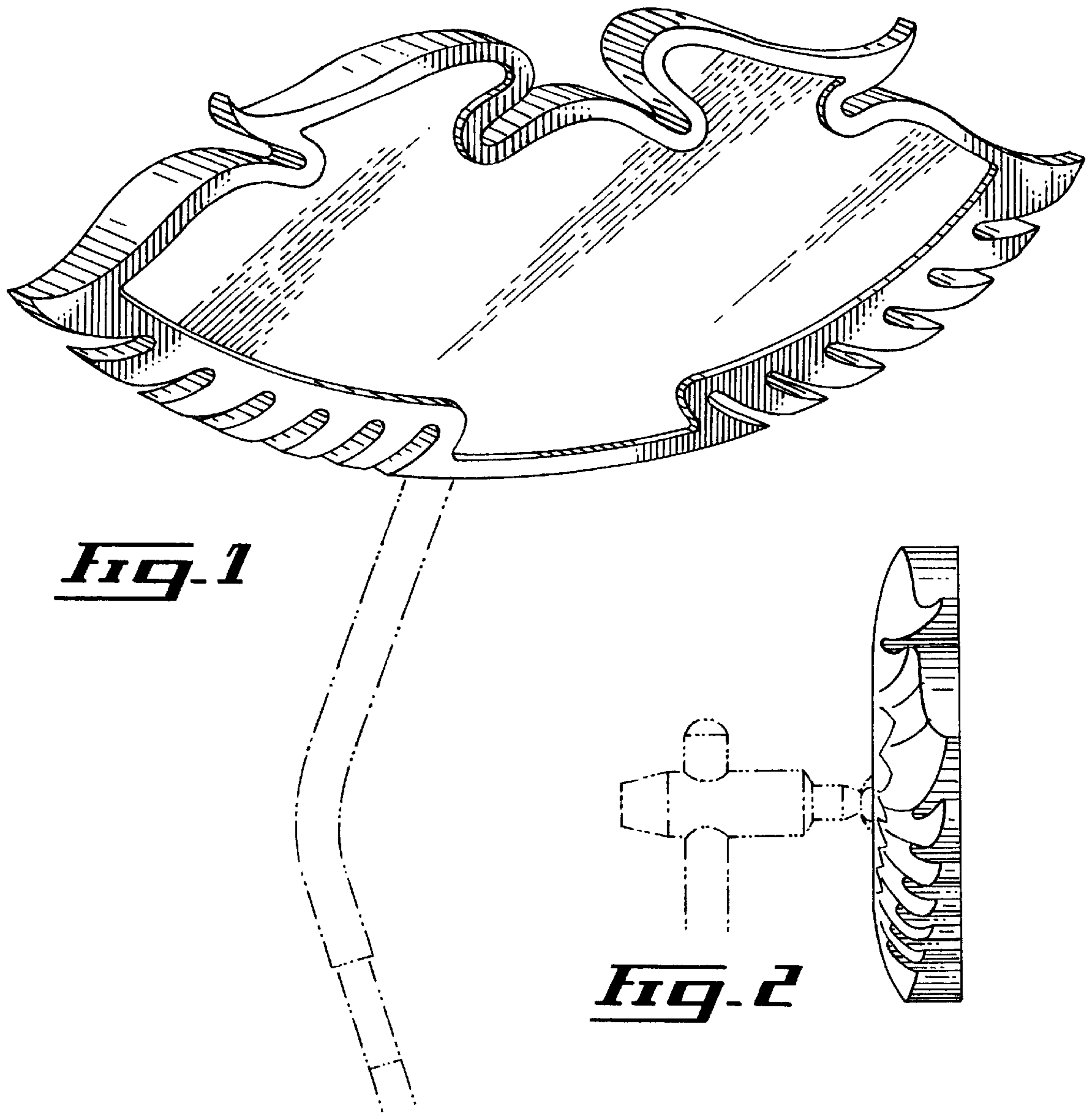
FIG. 6 is a bottom view thereof, the motorcycle mirror being shown attached to a conventional stem, the stem being shown in phantom lines.

The phantom lines are for purposes of illustration only and form no part of the claimed design.

\* cited by examiner

**1 Claim, 2 Drawing Sheets**

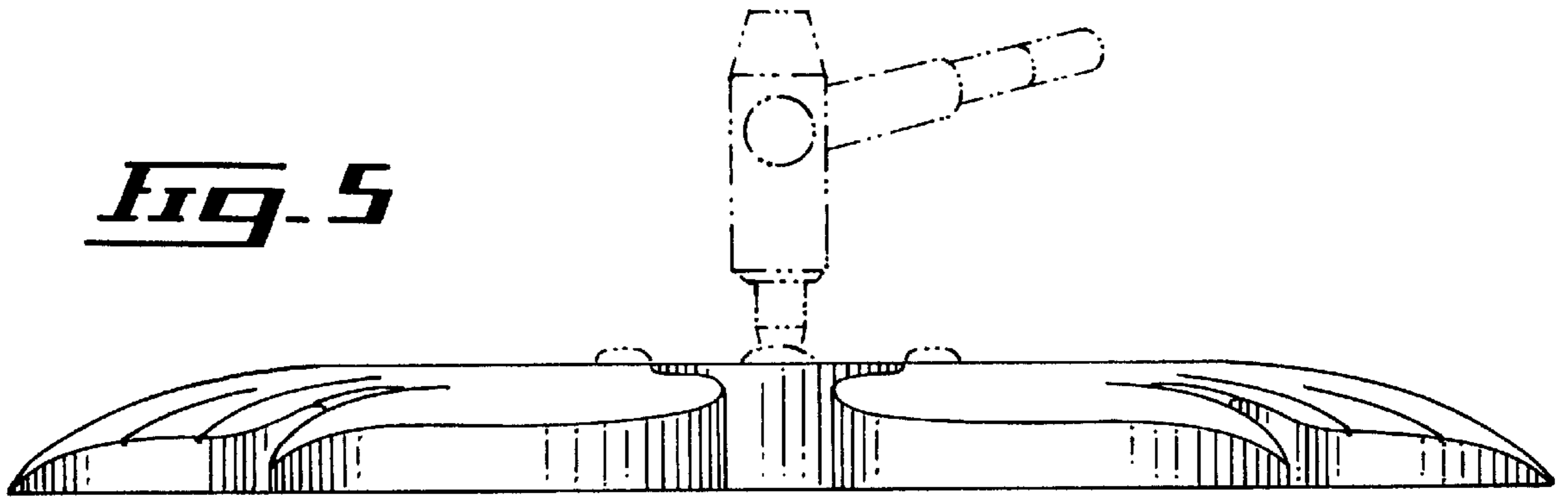




***Fig. 4***



***Fig. 5***



***Fig. 6***

