



US00D465439S

(12) **United States Design Patent**
van de Vrie

(10) **Patent No.:** **US D465,439 S**

(45) **Date of Patent:** **** Nov. 12, 2002**

(54) **TRICYCLE**

(75) **Inventor:** **Quinten van de Vrie, Kortgene (NL)**

(73) **Assignee:** **Quint Funracers B.V., Kortgene (NL)**

(**) **Term:** **14 Years**

(21) **Appl. No.:** **29/141,000**

(22) **Filed:** **Apr. 27, 2001**

(30) **Foreign Application Priority Data**

Oct. 27, 2000 (BX) 77668

(51) **LOC (7) Cl.** **12-11**

(52) **U.S. Cl.** **D12/112**

(58) **Field of Search** D12/112; 280/259,
280/260, 261, 262, 270, 271, 281.1, 282,
288.1, 201

(56) **References Cited**

U.S. PATENT DOCUMENTS

D235,426 S * 6/1975 Foster et al. D12/112

4,746,135 A * 5/1988 Oh 280/262

D425,827 S * 5/2000 Robinson D12/112

* cited by examiner

Primary Examiner—Alan P. Douglas

Assistant Examiner—Linda Brooks

(74) *Attorney, Agent, or Firm*—Abelman, Frayne & Schwab

(57) **CLAIM**

The ornamental design for a tricycle, as shown and described.

DESCRIPTION

FIG. 1 is a left, rear perspective view of the tricycle of my invention;

FIG. 2 is a right, rear perspective view thereof, on a reduced scale;

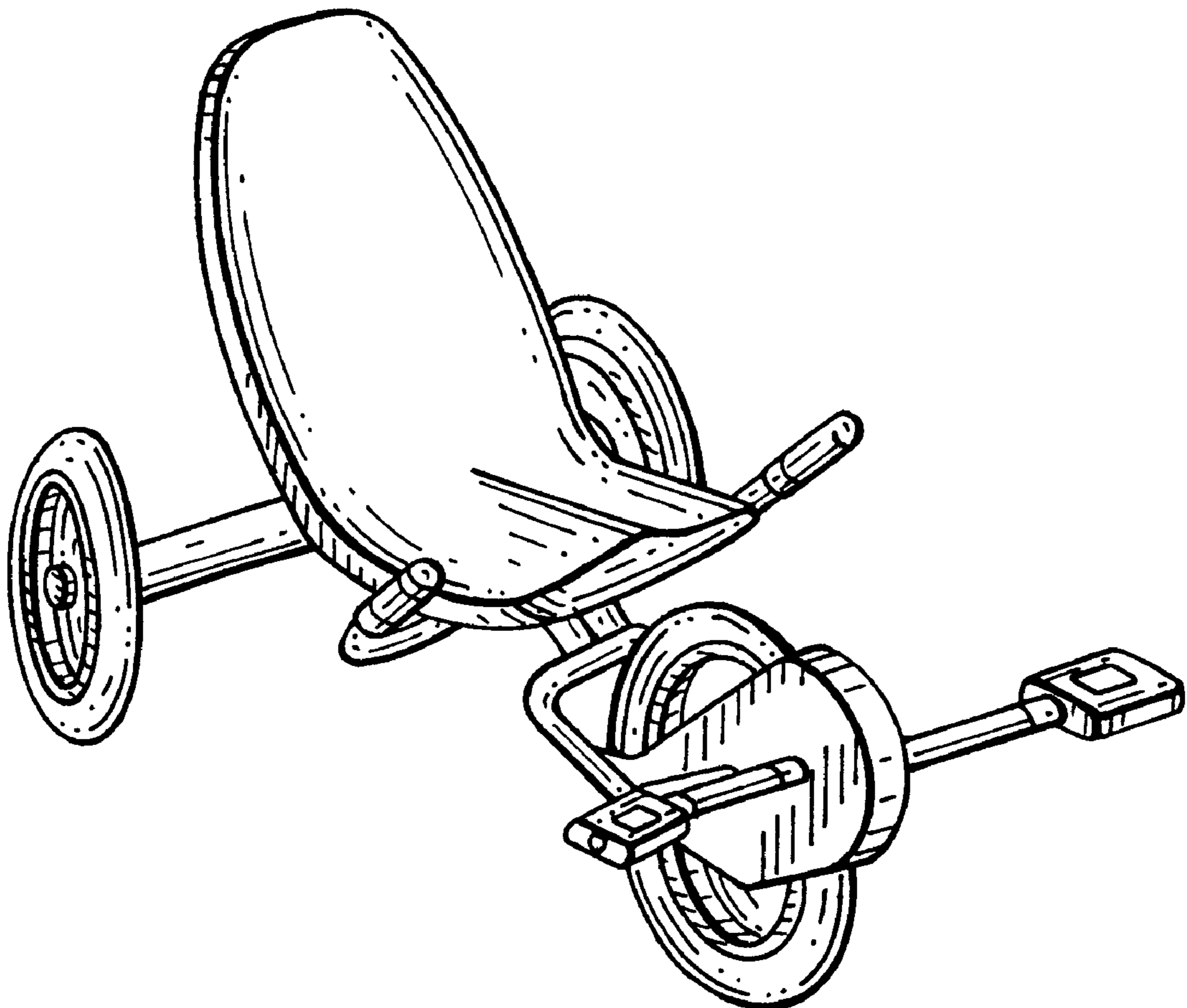
FIG. 3 is a right, front perspective view thereof, on a reduced scale;

FIG. 4 is a left side elevational view thereof, the right side being a mirror image;

FIG. 5 is a top plan view thereof with the seat removed for purposes of illustration; and,

FIG. 6 is a rear elevational view similar to FIG. 5.

1 Claim, 5 Drawing Sheets



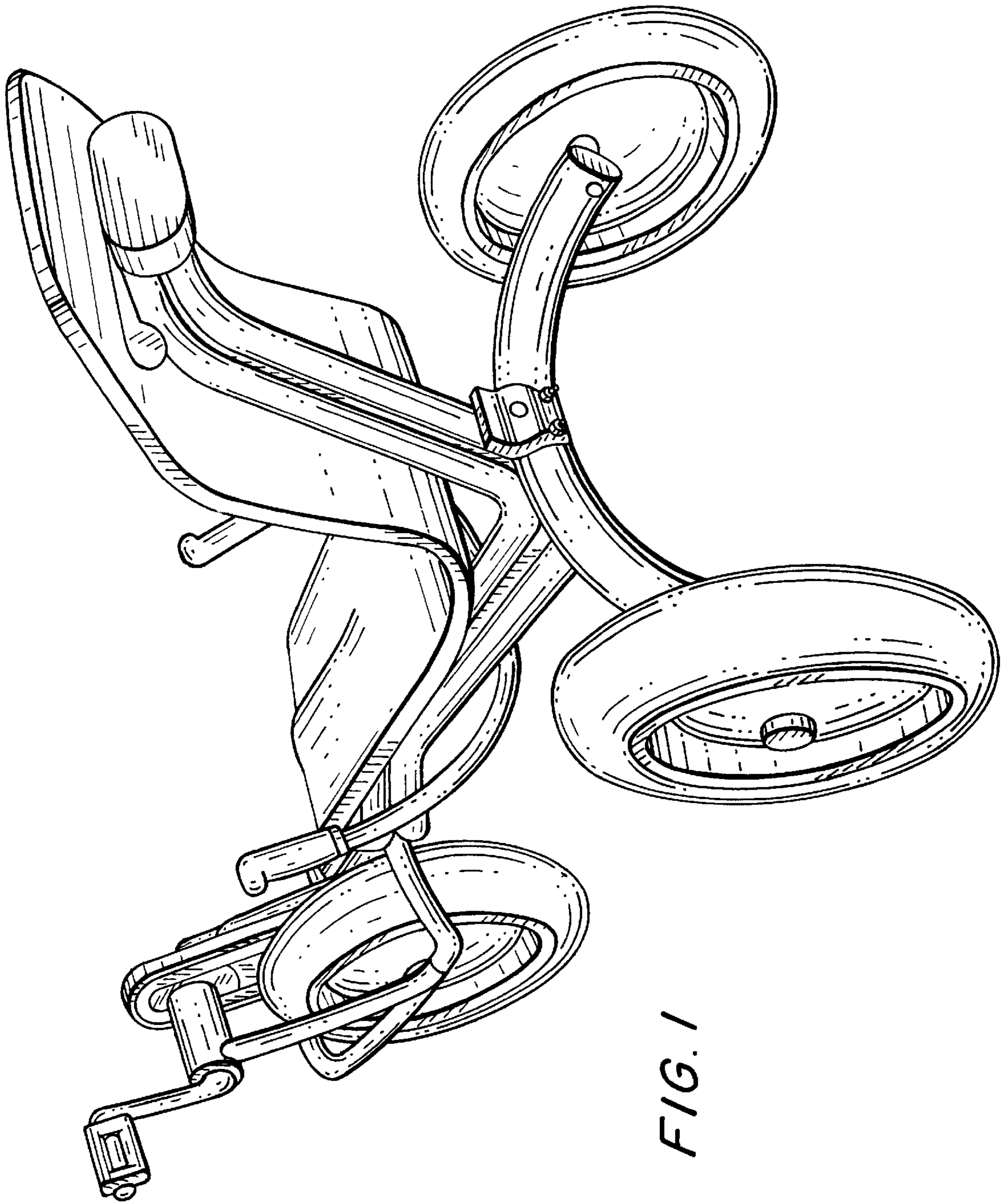


FIG. 1

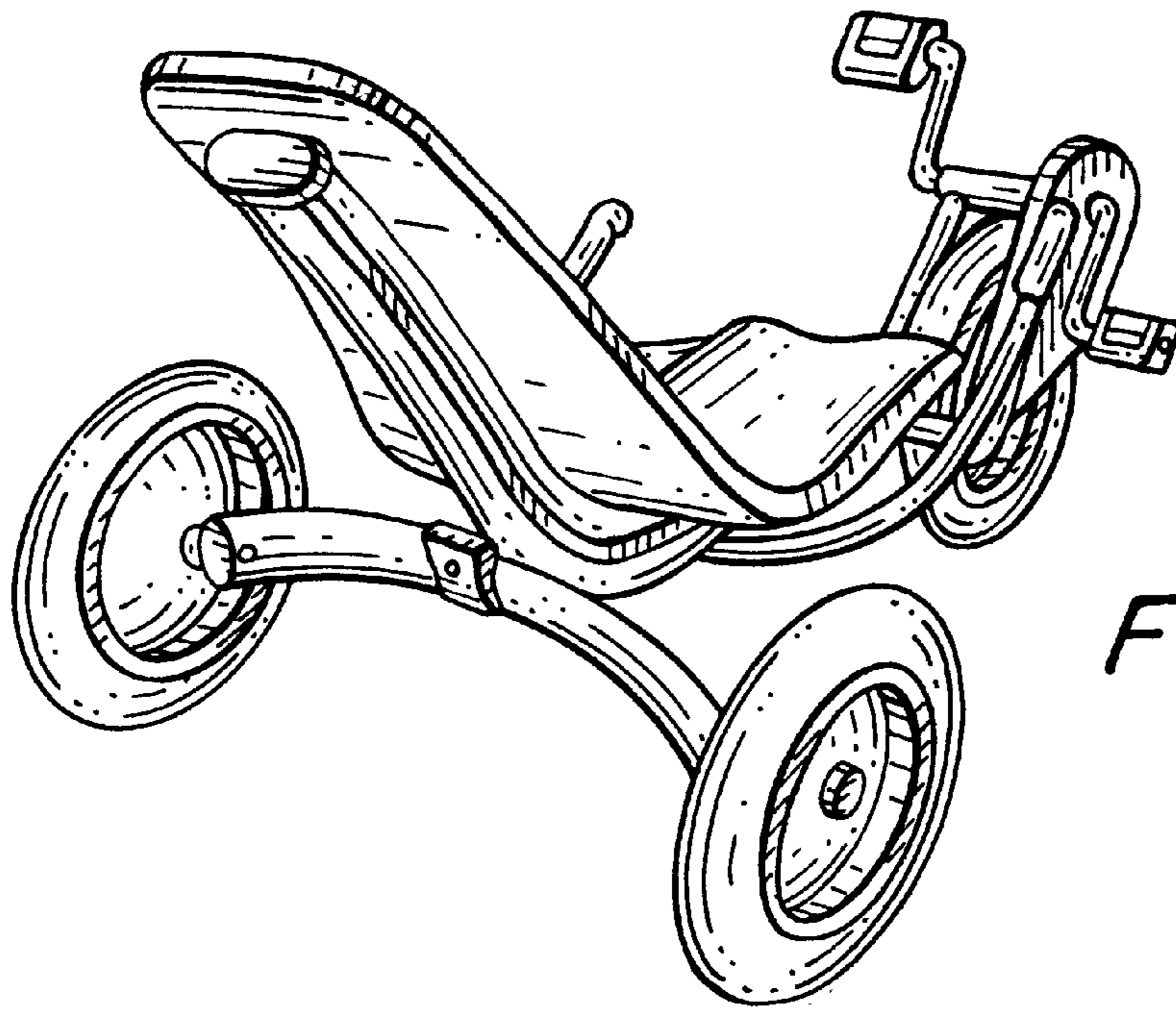


FIG. 2

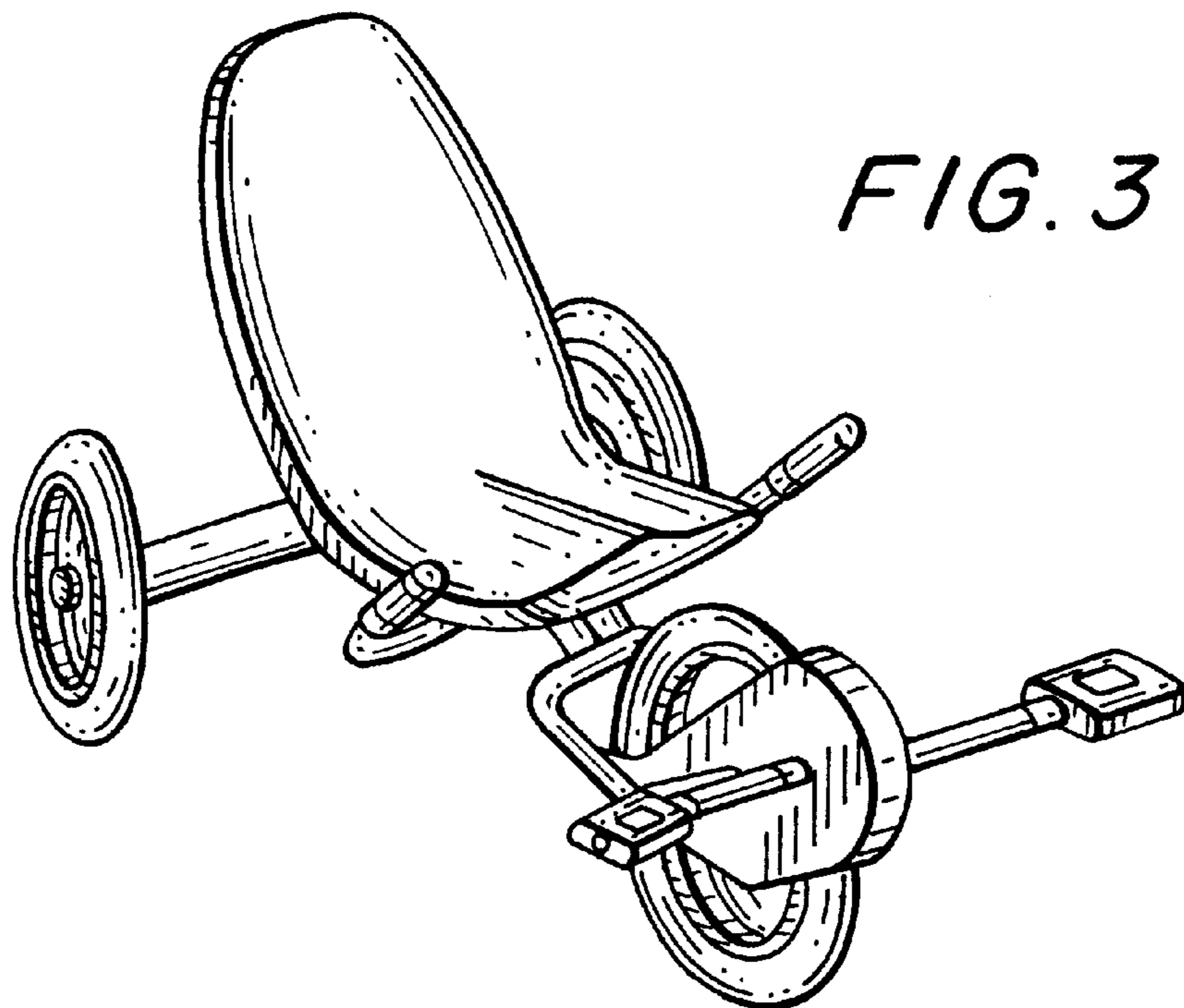


FIG. 3

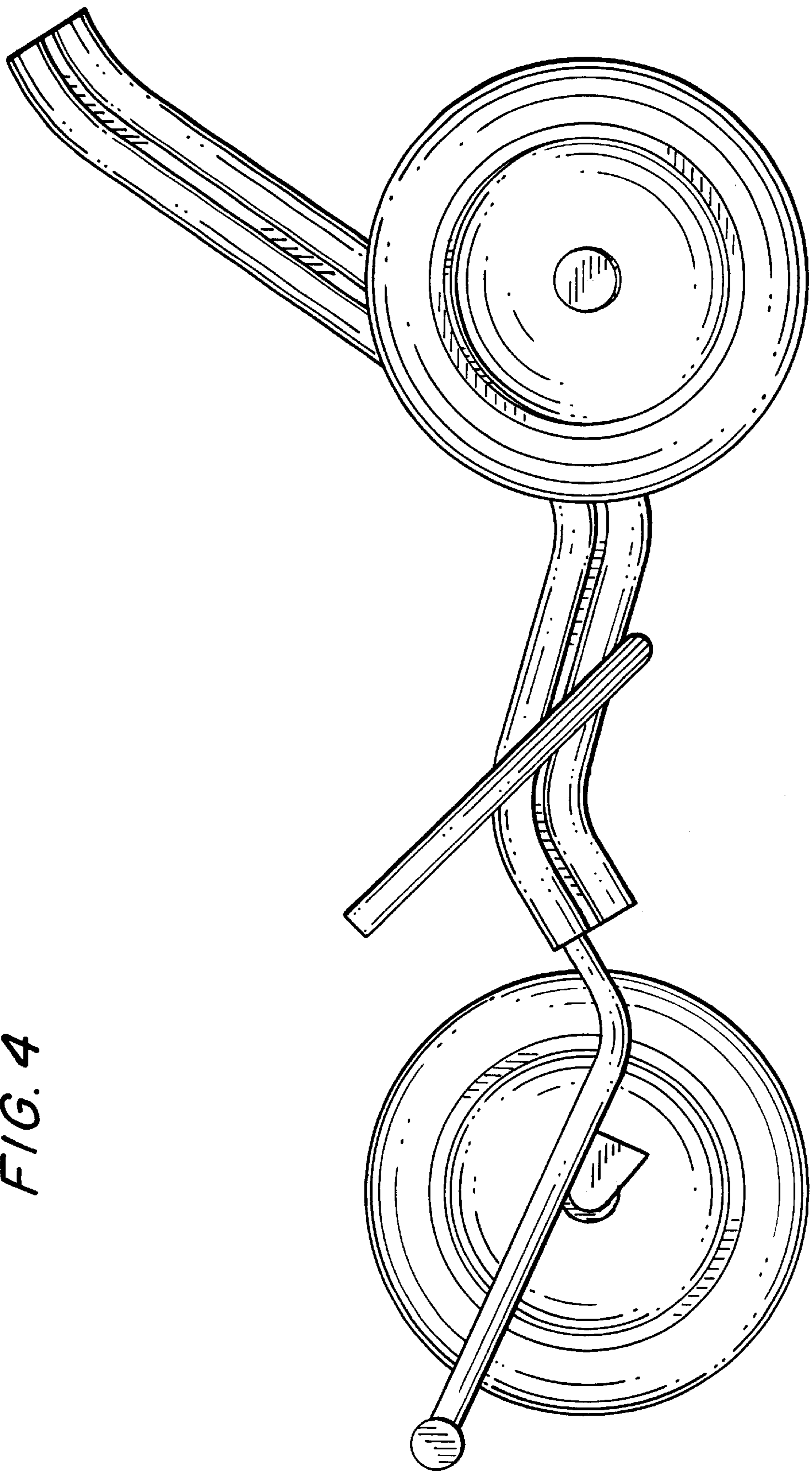


FIG. 4

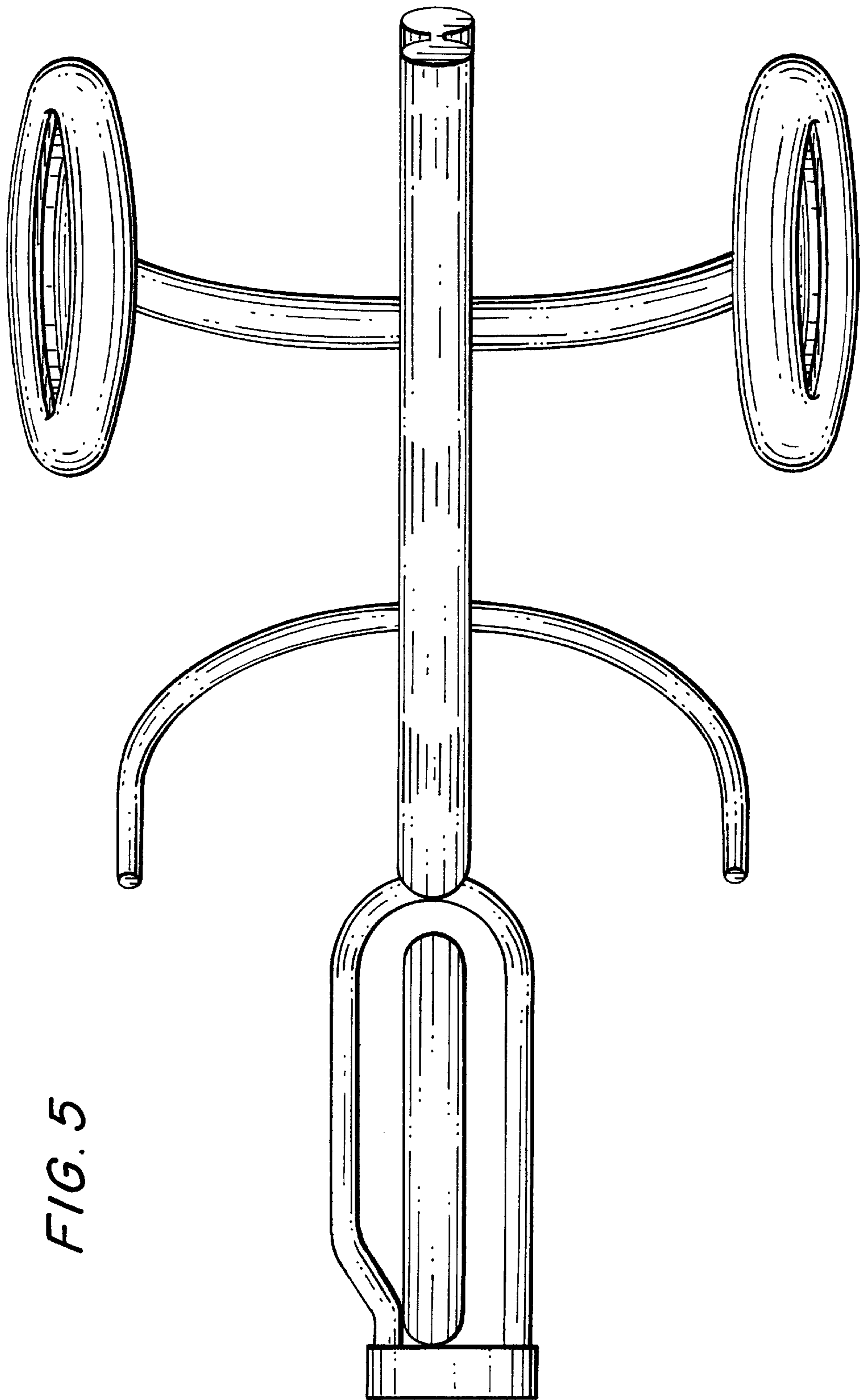


FIG. 5

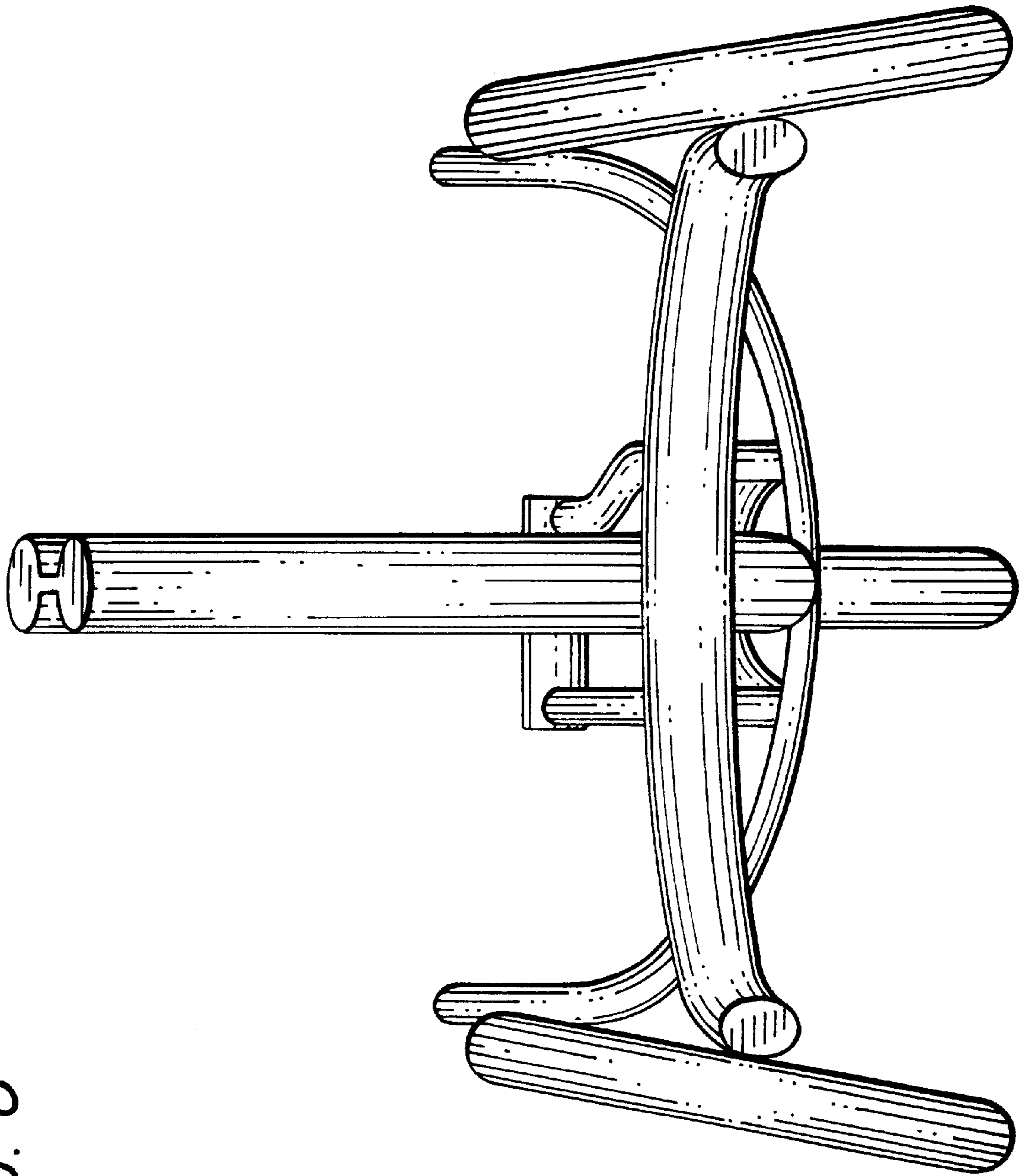


FIG. 6