



US00D465438S

(12) **United States Design Patent**
Masui et al.

(10) **Patent No.:** **US D465,438 S**

(45) **Date of Patent:** **** Nov. 12, 2002**

(54) **BICYCLE**

D363,050 S * 10/1995 Wang et al. D12/111

(75) Inventors: **Takuji Masui**, Sakai (JP); **Hartmut Esslinger**, Altensteig (DE); **Nico Michler**, Baden-Württemberg (DE); **Stascha Offenbeck**, Ottobrunn Bayern (DE)

* cited by examiner

Primary Examiner—Alan P. Douglas

Assistant Examiner—Linda Brooks

(74) *Attorney, Agent, or Firm*—Shinju Global IP Counselors, LLP

(73) Assignee: **Shimano Inc.**, Osaka (JP)

(57) **CLAIM**

(**) Term: **14 Years**

The ornamental design for a bicycle, as shown and described.

(21) Appl. No.: **29/150,161**

DESCRIPTION

(22) Filed: **Nov. 9, 2001**

FIG. 1 is a rear side perspective view of a bicycle in accordance with our new design;

(51) **LOC (7) Cl.** **12-11**

(52) **U.S. Cl.** **D12/111**

FIG. 2 is a front side perspective view of the bicycle illustrated in FIG. 1;

(58) **Field of Search** D12/111; 280/288.1–288.4, 280/274, 275, 281.1, 283, 284, 287

FIG. 3 is a side elevational view of the bicycle illustrated in FIGS. 1 and 2 with a rear rack lowered; and,

FIG. 4 is a side elevational view of the bicycle illustrated in FIGS. 1–3 with the rear rack raised.

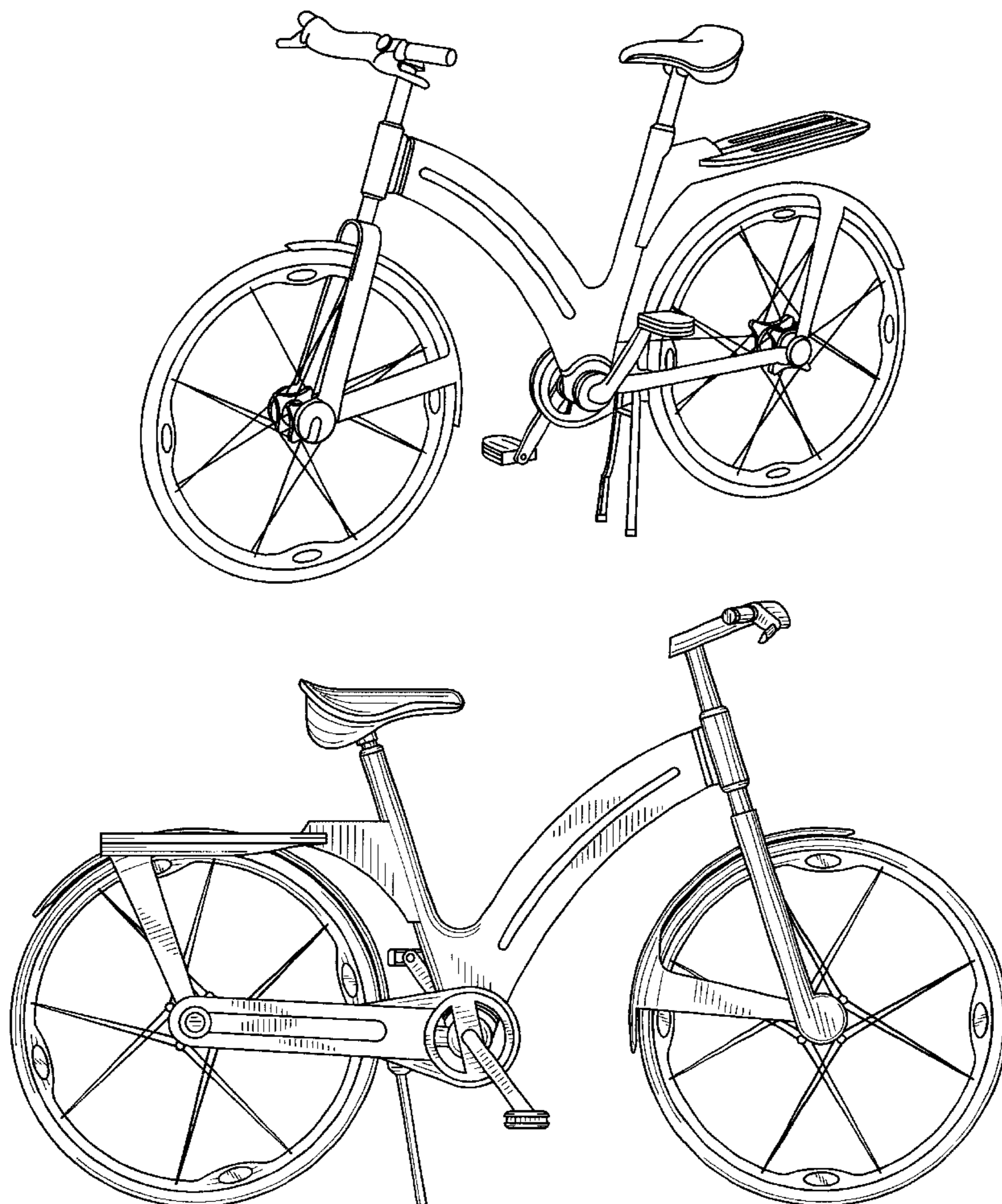
(56) **References Cited**

U.S. PATENT DOCUMENTS

4,856,801 A * 8/1989 Hollingsworth 280/284
5,149,119 A * 9/1992 Hwang 280/275

The portions of the bicycle that cannot be seen in FIGS. 1–4 do not form a part of the claimed design.

1 Claim, 4 Drawing Sheets



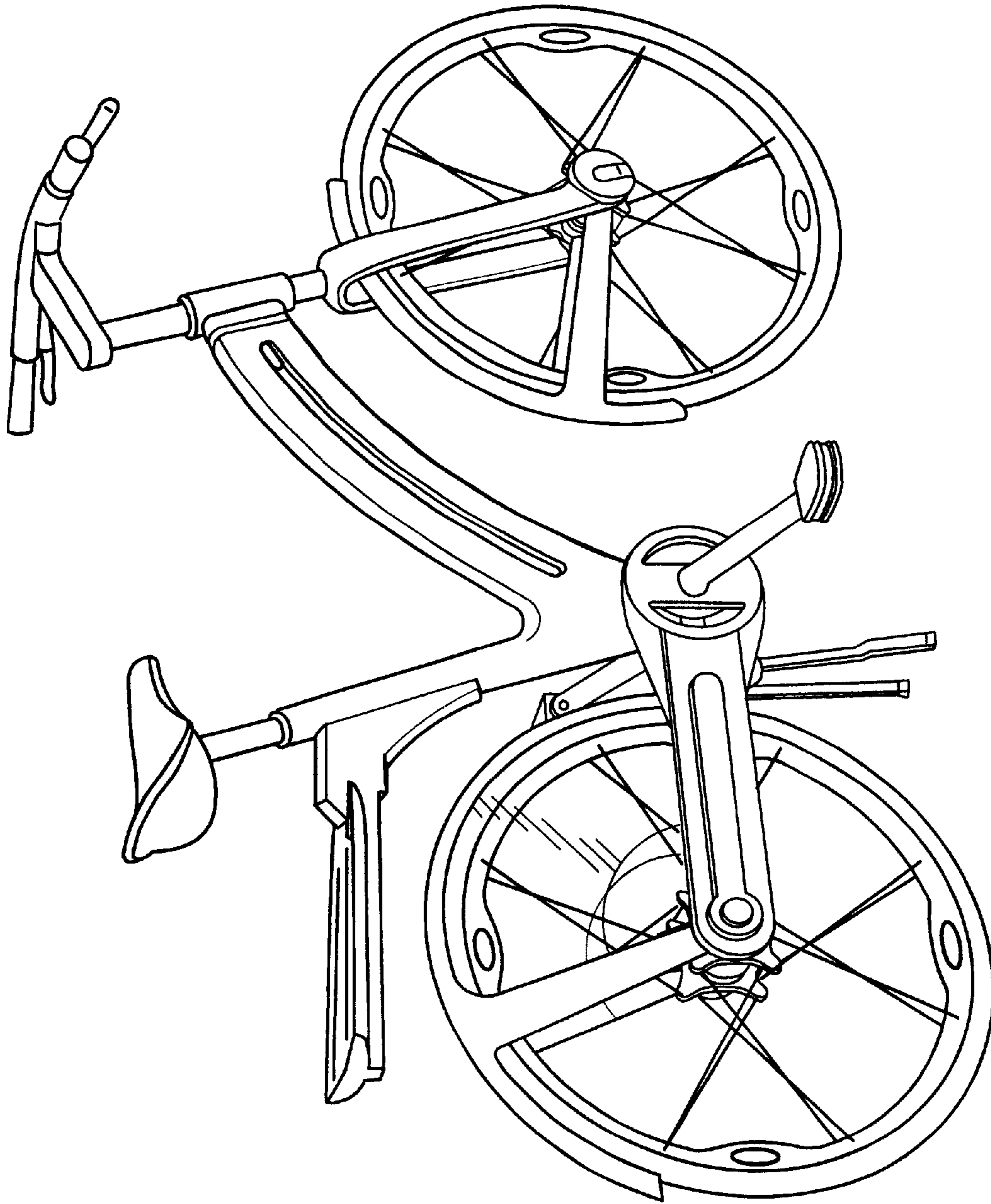


Fig. 1

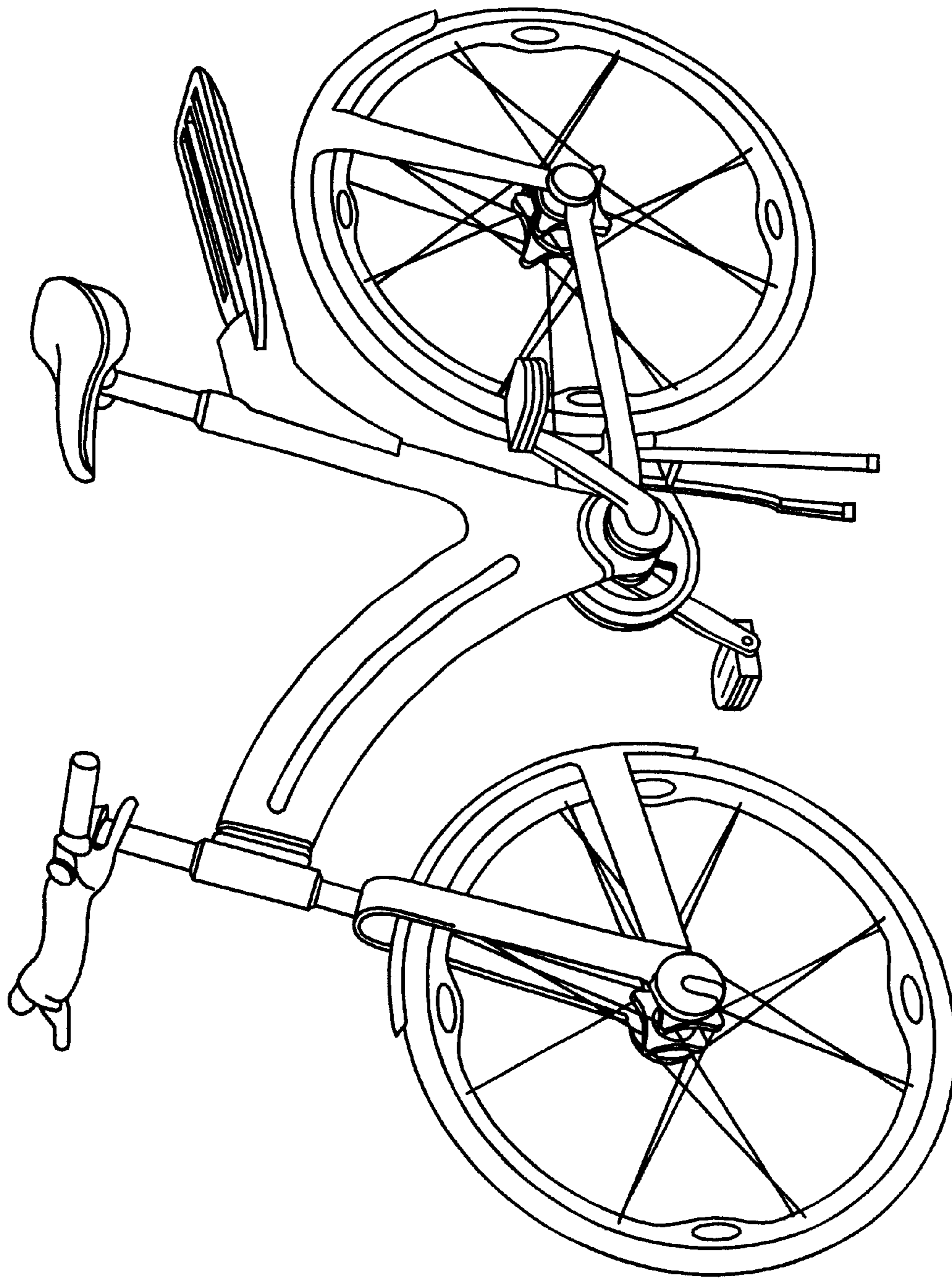


Fig. 2

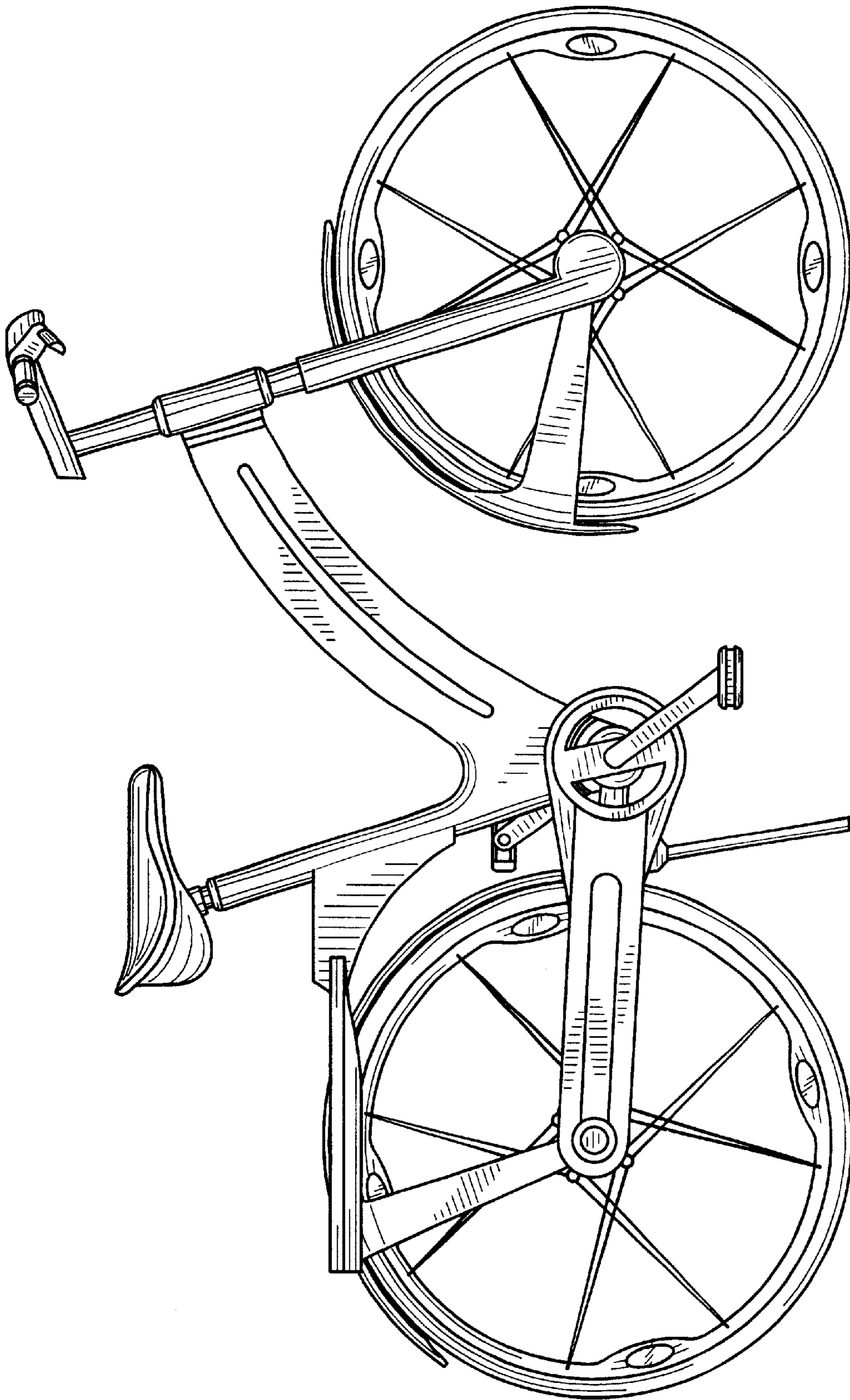


Fig. 3

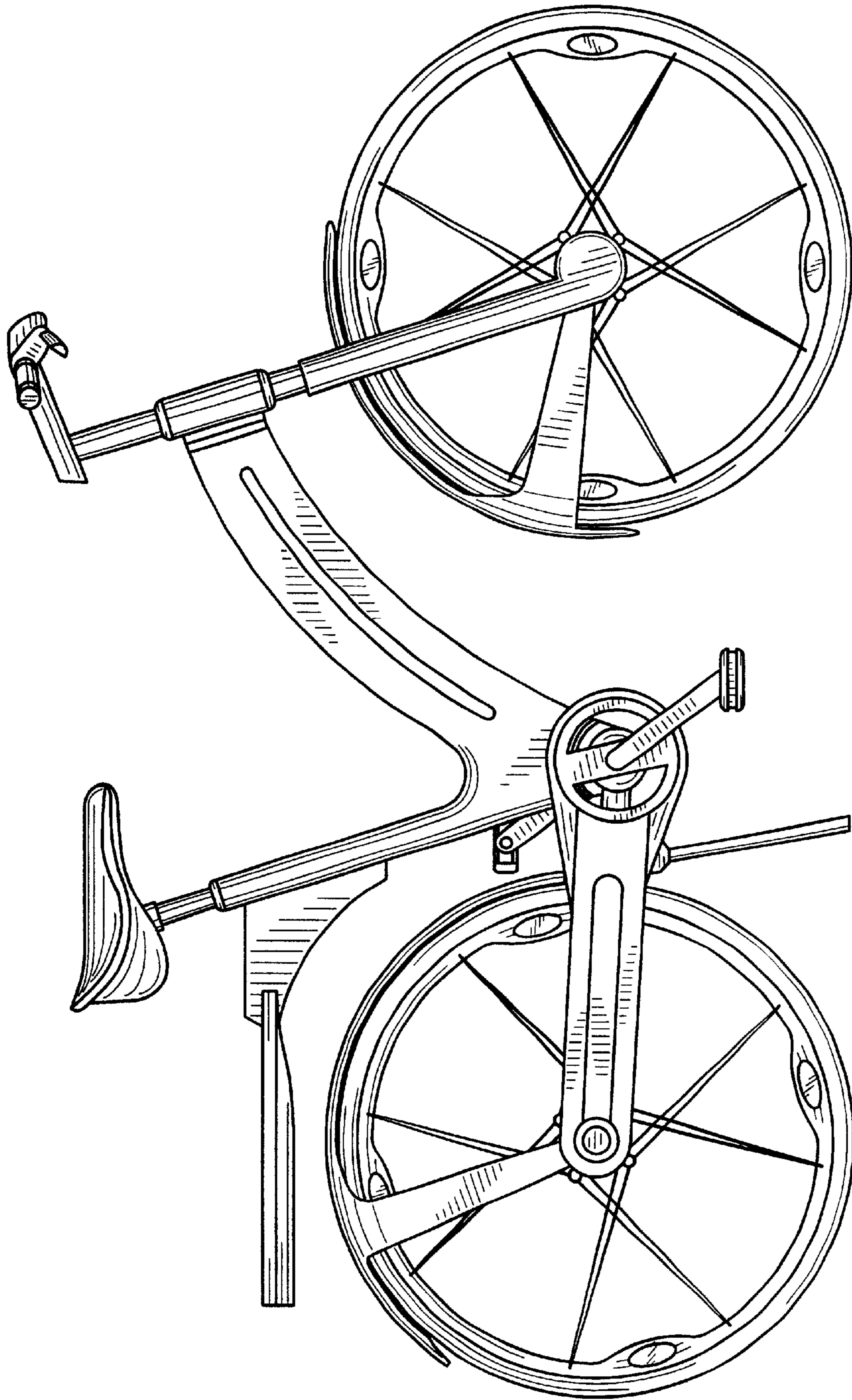


Fig. 4