



US00D465429S

(12) **United States Design Patent**
Casale

(10) **Patent No.:** **US D465,429 S**

(45) **Date of Patent:** **** Nov. 12, 2002**

(54) **ROADWAY DELINEATOR**

(76) Inventor: **Alfredo Casale**, V. Le Firenze 99/A,
06034 Foliano-PG (IT)

(**) Term: **14 Years**

(21) Appl. No.: **29/148,386**

(22) Filed: **Sep. 20, 2001**

(51) **LOC (7) Cl.** **10-05**

(52) **U.S. Cl.** **D10/113**

(58) **Field of Search** D10/113; 404/9-16;
116/63 R; 40/606, 612

(56) **References Cited**

U.S. PATENT DOCUMENTS

D236,095 S	7/1975	Golden	
4,224,002 A	9/1980	Heenan et al.	
4,249,832 A *	2/1981	Schmanski	404/10 X
4,954,009 A	9/1990	Kellison	
5,049,001 A	9/1991	Dinitz	
6,276,667 B1 *	8/2001	Arthur	404/9 X

* cited by examiner

Primary Examiner—Antoine Duval Davis

(74) *Attorney, Agent, or Firm*—Shlesinger, Arkwright & Garvey LLP

(57) **CLAIM**

The ornamental design for a roadway delineator, as shown and described.

DESCRIPTION

FIG. 1 is a perspective view of a roadway delineator for attachment to a side of a roadway barrier, showing my new design;

FIG. 2 is a front elevational view of FIG. 1, showing the top and bottom reflectors in straight alignment;

FIG. 3 is a right view of FIG. 2;

FIG. 4 is a rear elevational view of FIG. 2;

FIG. 5 is a left view of FIG. 2;

FIG. 6 is a top view of FIG. 2; and,

FIG. 7 is a bottom view of FIG. 2.

The phantom lines shown do not form a part of the claimed design.

1 Claim, 3 Drawing Sheets

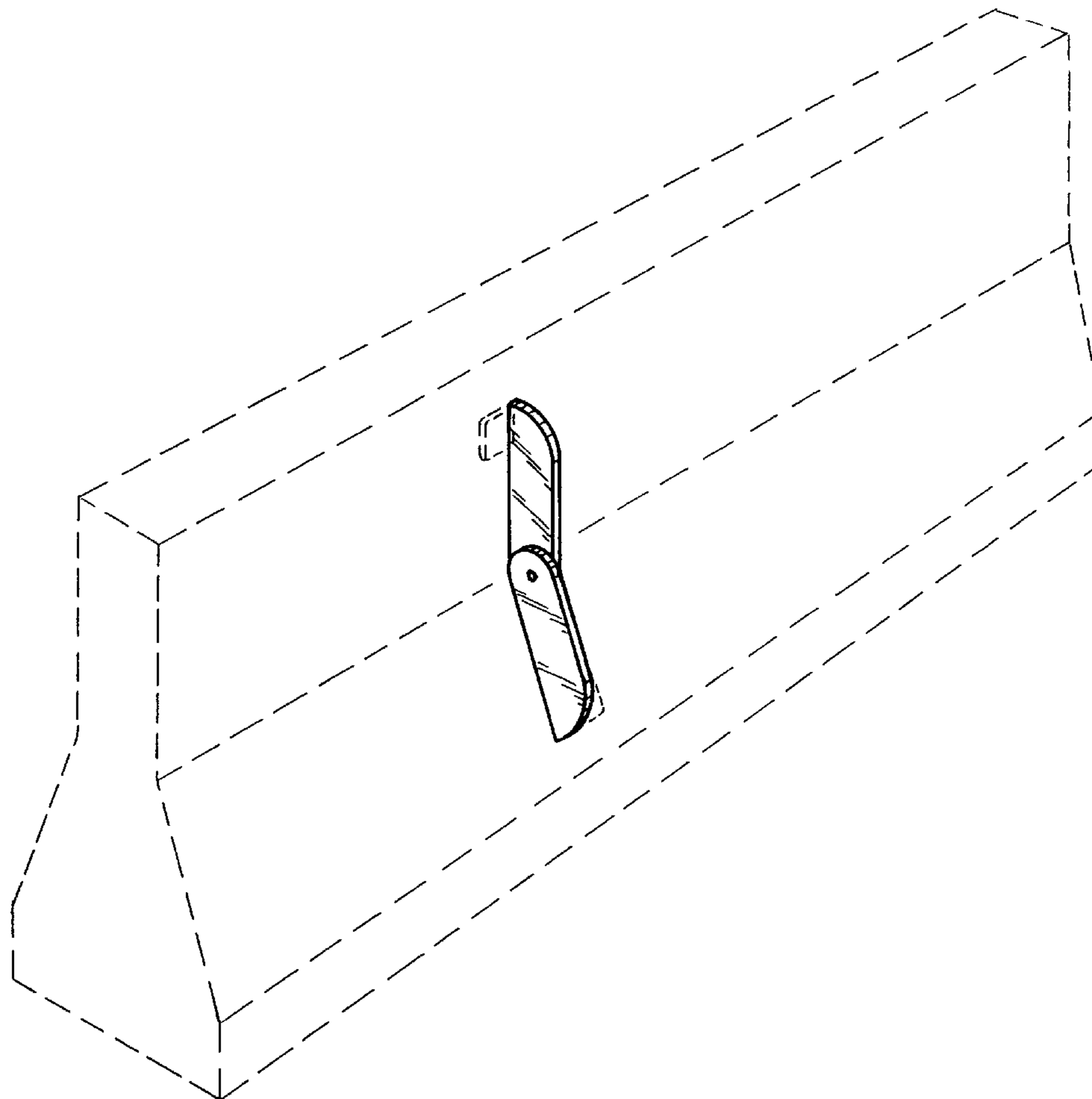


FIG. 1

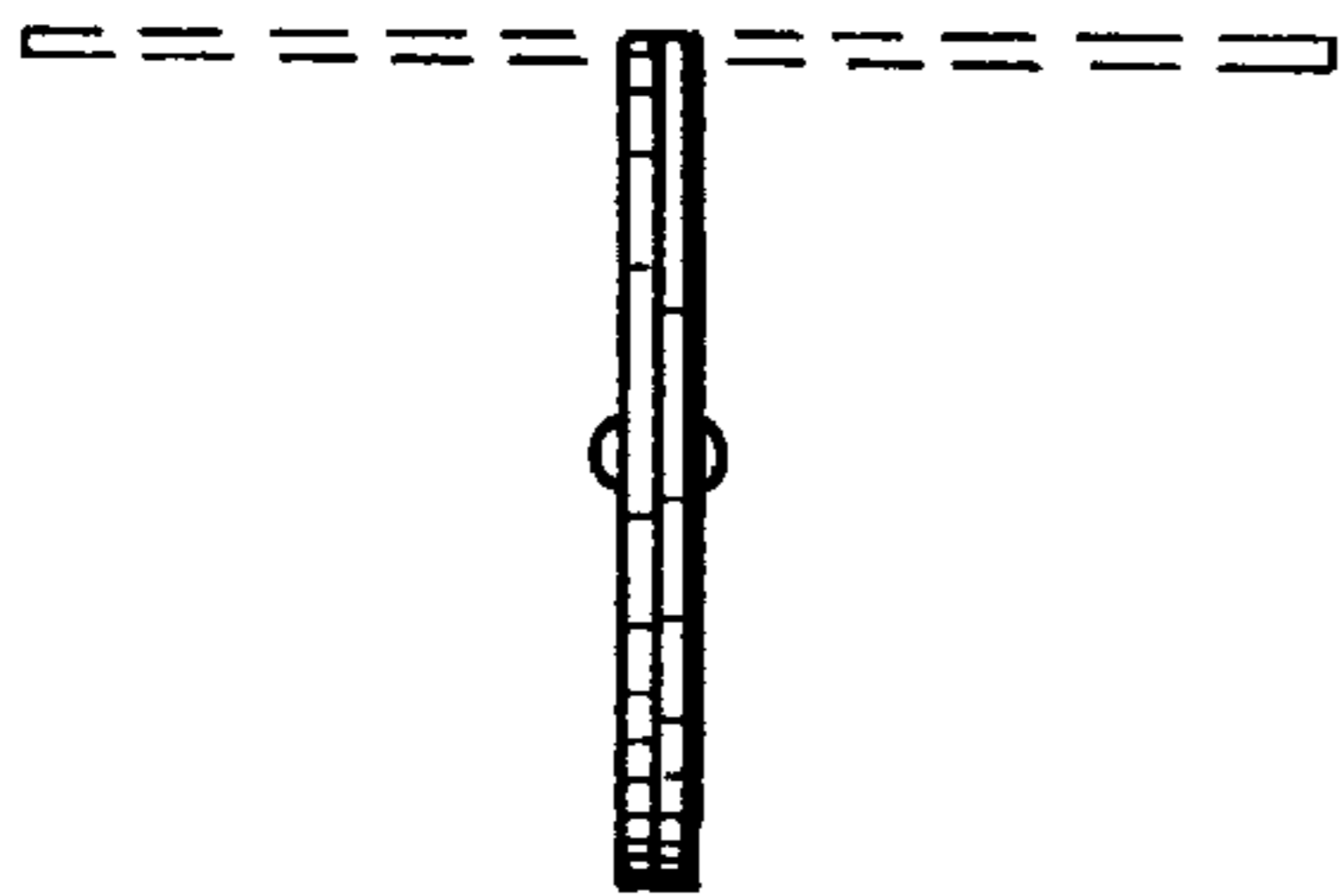
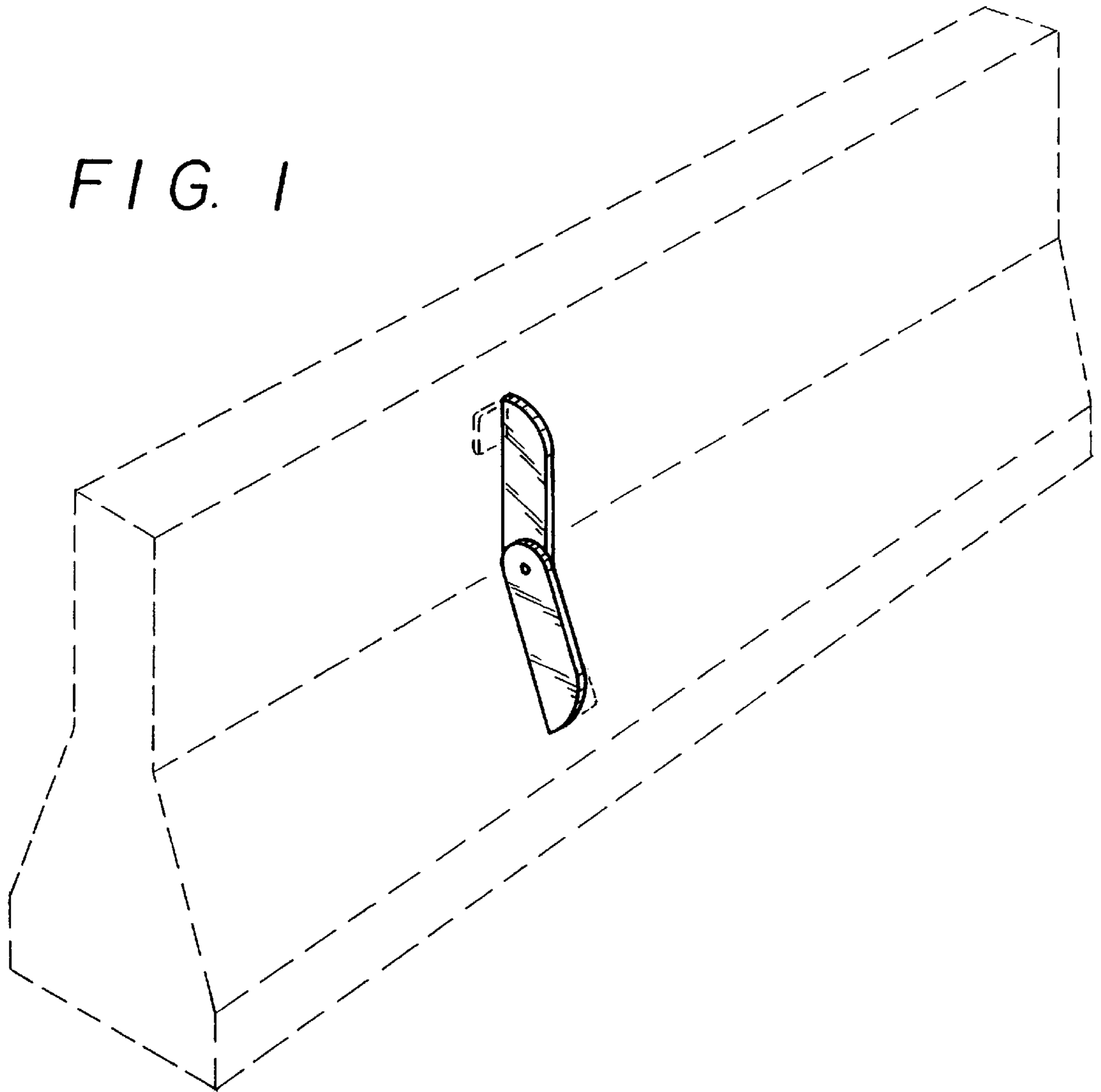


FIG. 6

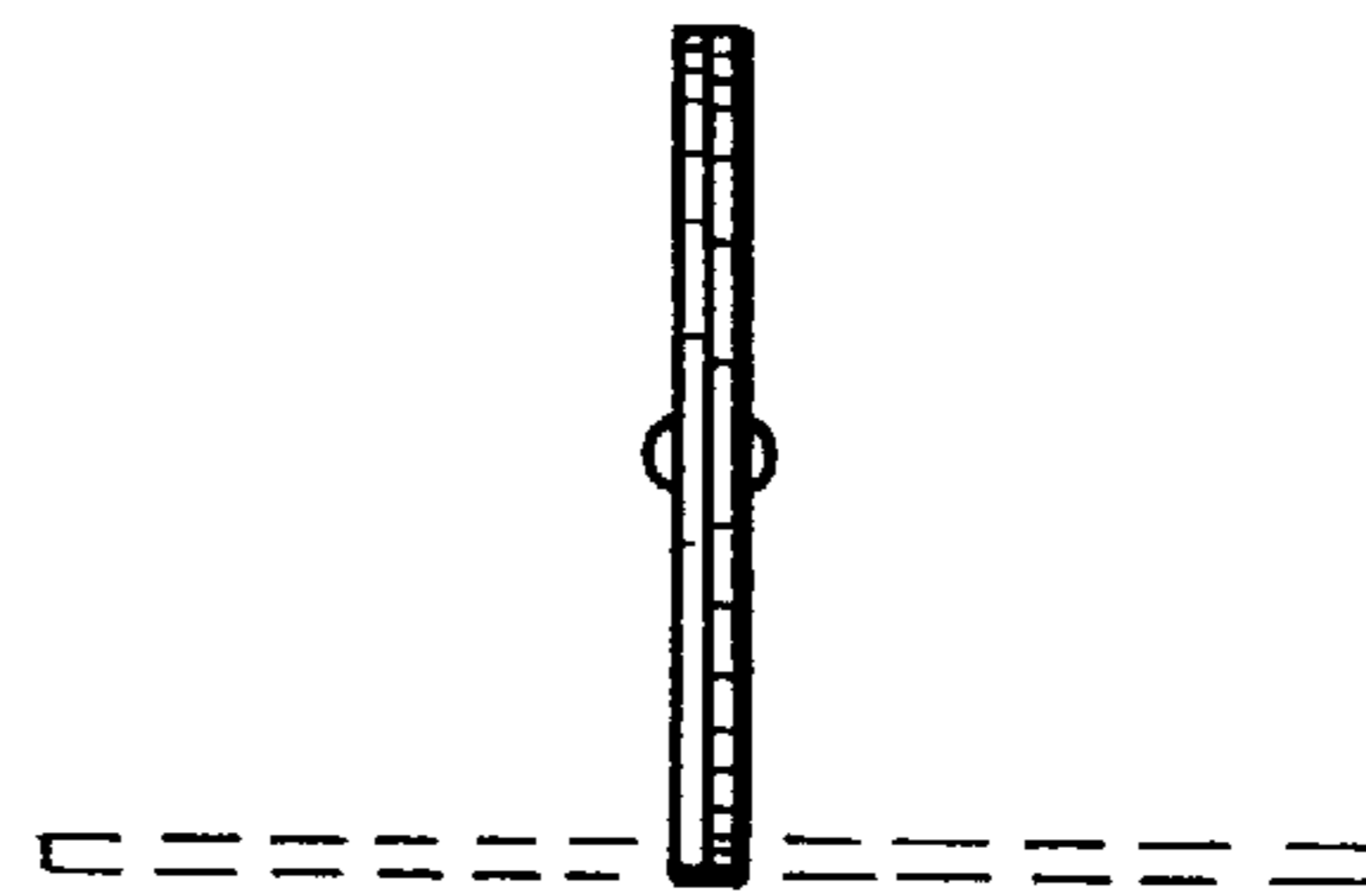


FIG. 7

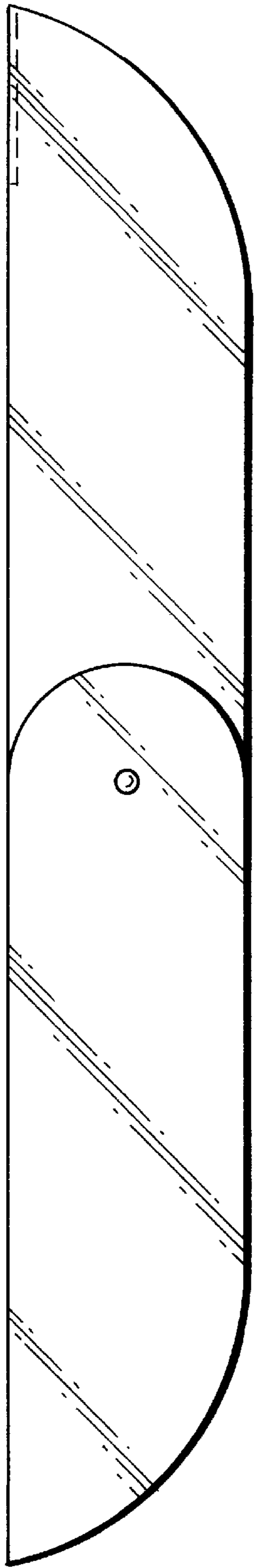


FIG. 2

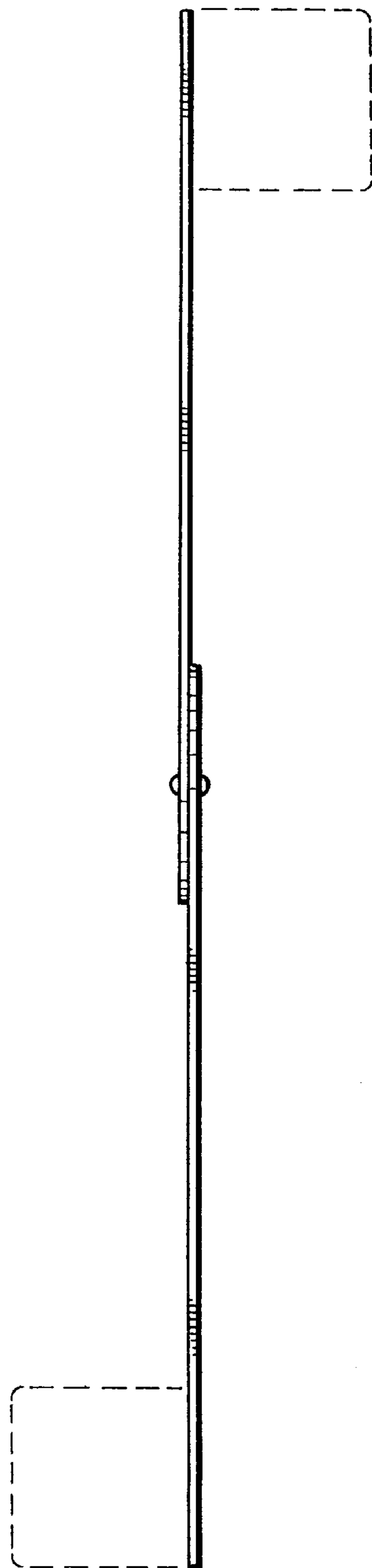


FIG. 3

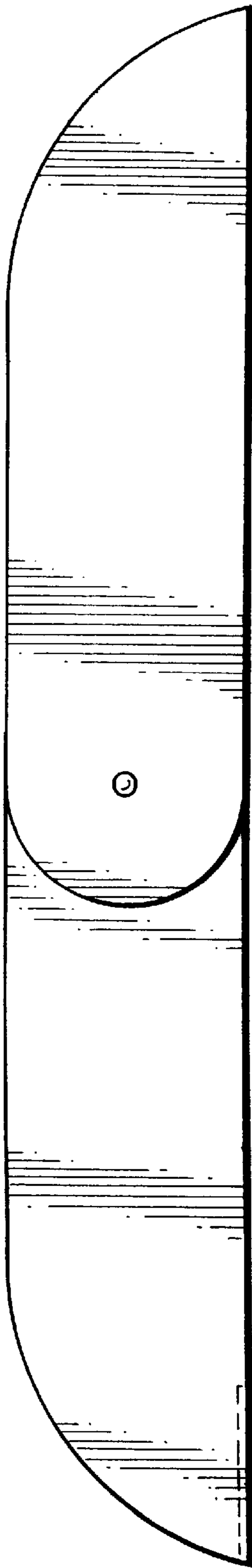


FIG. 4

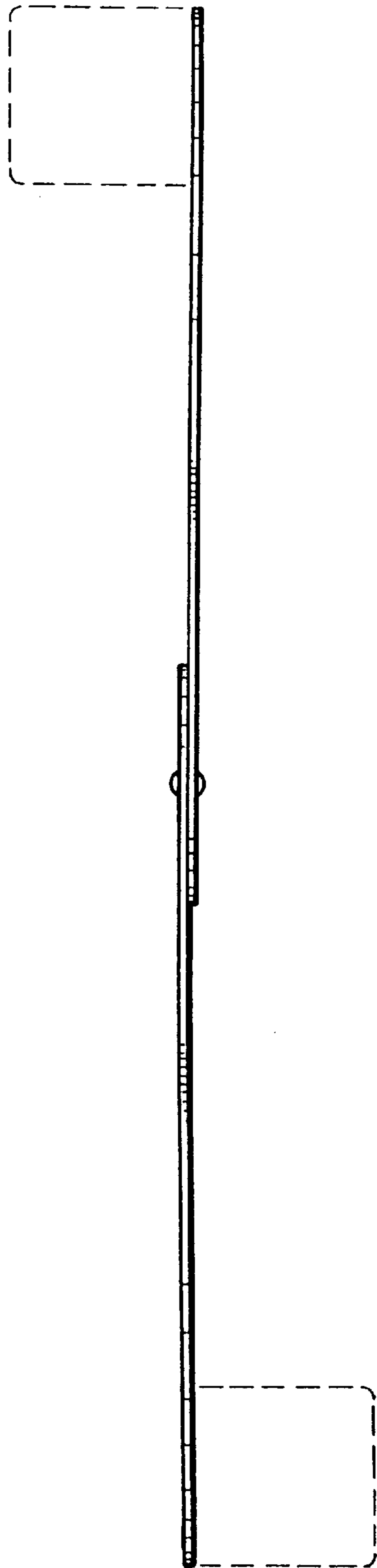


FIG. 5