



US00D465427S

(12) **United States Design Patent**
Wilda

(10) **Patent No.:** **US D465,427 S**

(45) **Date of Patent:** **** Nov. 12, 2002**

(54) **HOUSING FOR A MEASURING INSTRUMENT**

Primary Examiner—Antoine Duval Davis

(74) *Attorney, Agent, or Firm*—Anthony Miologos

(75) **Inventor:** **Douglas W. Wilda**, Ambler, PA (US)

(57) **CLAIM**

(73) **Assignee:** **Honeywell International Inc.**,
Morristown, NJ (US)

The ornamental design for a housing for a measuring instrument, as shown and described.

(**) **Term:** **14 Years**

DESCRIPTION

(21) **Appl. No.:** **29/156,610**

The housing for a measuring instrument is intended to be used to house in combination: 1) sensors for sensing various measurable physical parameters such as pressure and temperature; and 2) the electronic circuitry disposed to calculate and report measurements based on the sensor readings.

(22) **Filed:** **Feb. 28, 2002**

(51) **LOC (7) Cl.** **10-04**

(52) **U.S. Cl.** **D10/85**

(58) **Field of Search** D10/85; 73/720,
73/700, 706, 717, 727, 721, 514.34, 756;
137/334, 597

FIG. 1 is a right side perspective view of a housing for a measuring instrument embodying my new design;

FIG. 2 is a left side perspective view thereof;

FIG. 3 is a front elevational view thereof;

FIG. 4 is a back elevational view thereof;

FIG. 5 is a right side elevational view thereof;

FIG. 6 is a left side elevational view thereof;

FIG. 7 is a top plan view thereof; and,

FIG. 8 is a bottom plan view thereof.

(56) **References Cited**

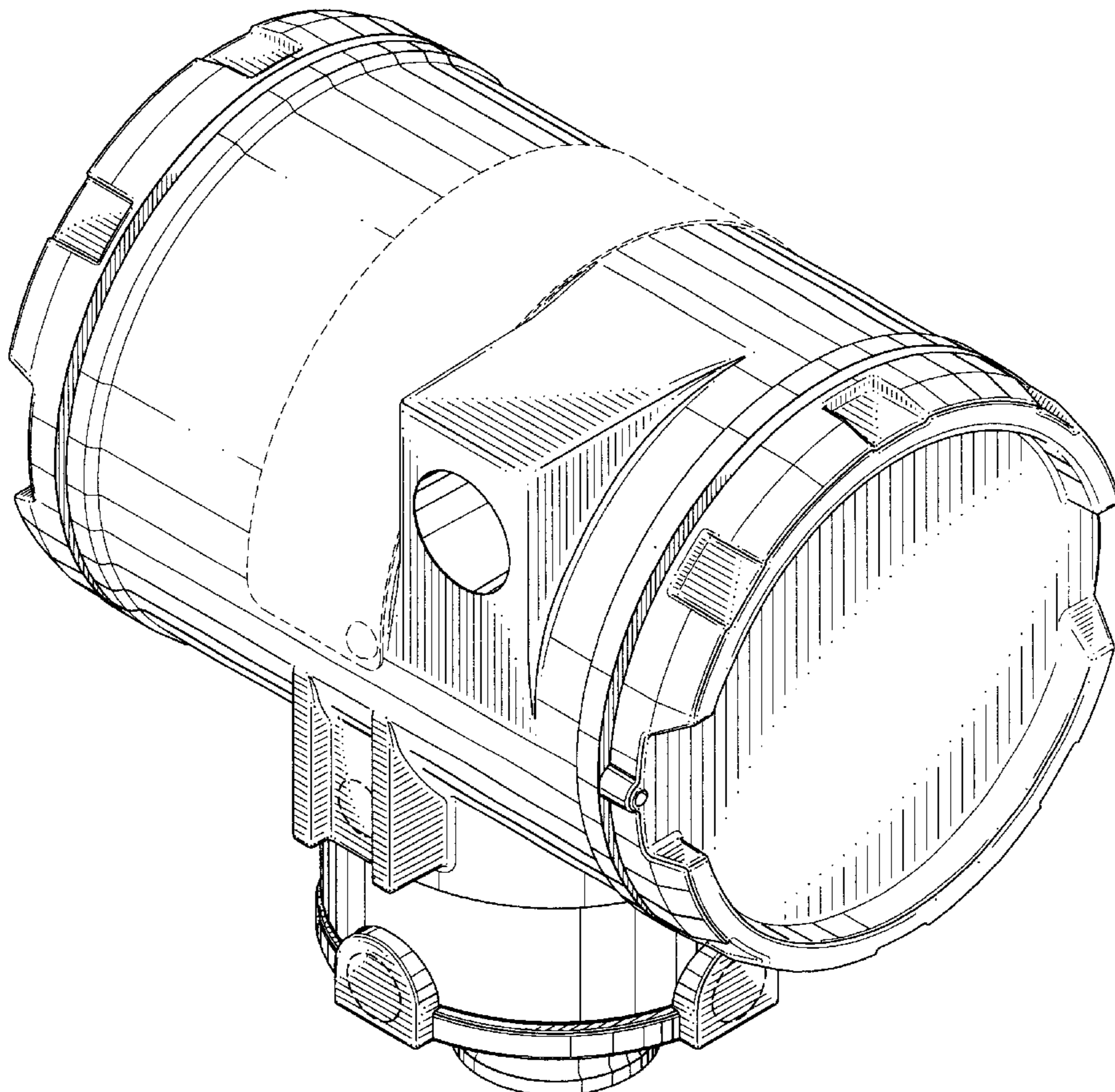
U.S. PATENT DOCUMENTS

D317,269 S *	6/1991	Seig	D10/85 X
D366,000 S *	1/1996	Karas et al.	D10/85
6,279,401 B1 *	8/2001	Karas	73/716

The broken line disclosures in the drawings are for illustrative purposes only and form no part of the claimed design.

* cited by examiner

1 Claim, 6 Drawing Sheets



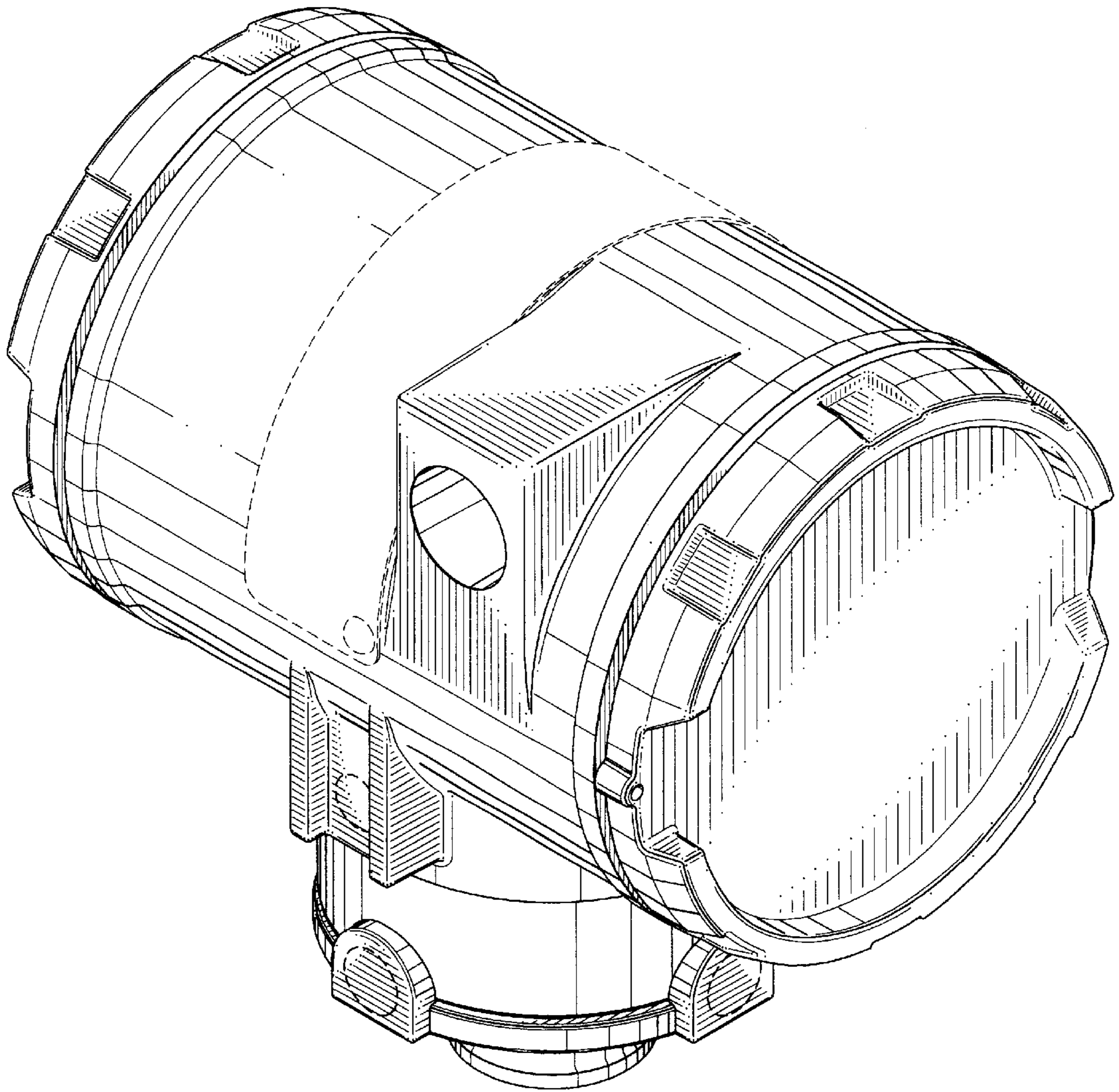


FIG. 1

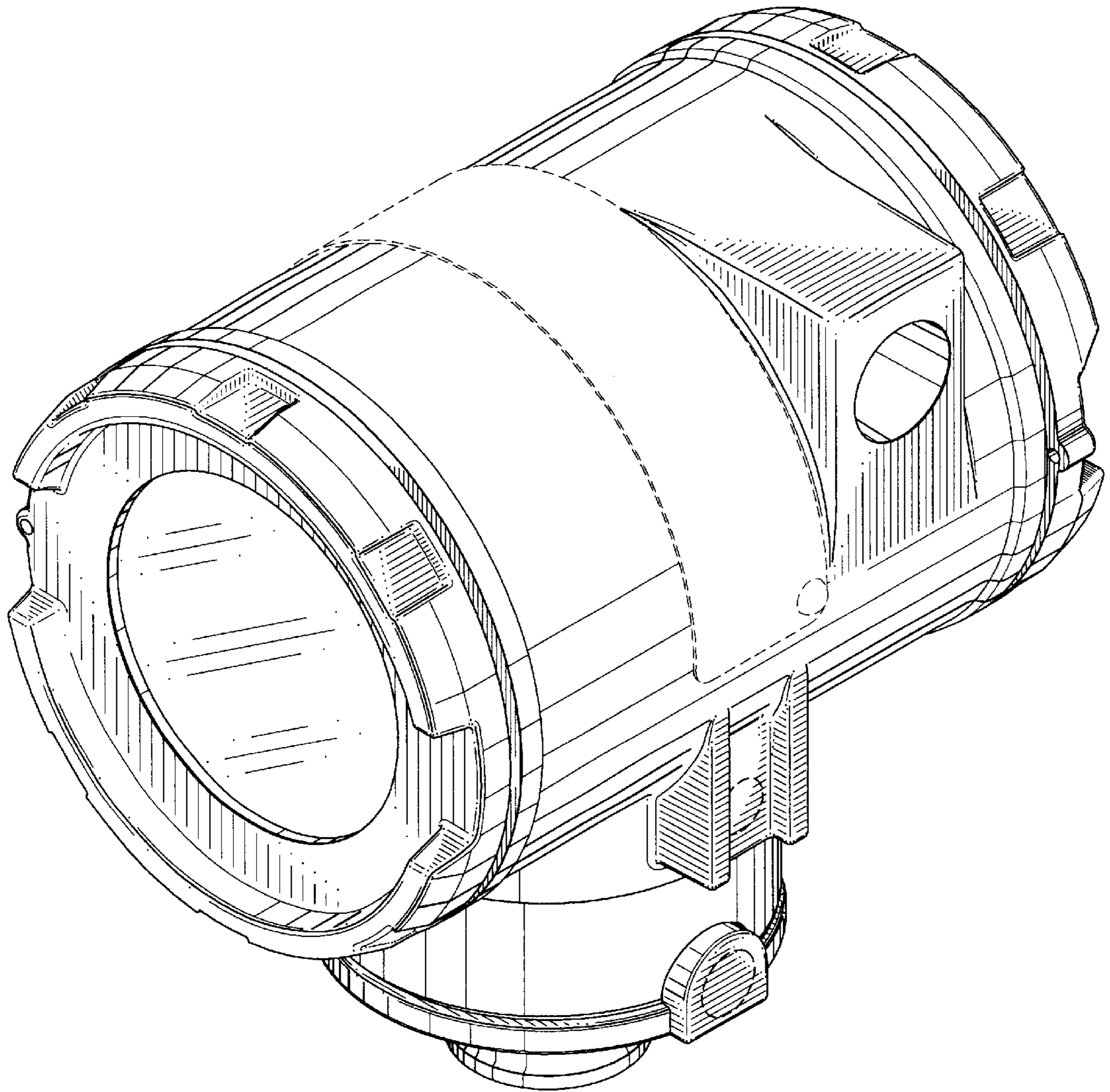


FIG. 2

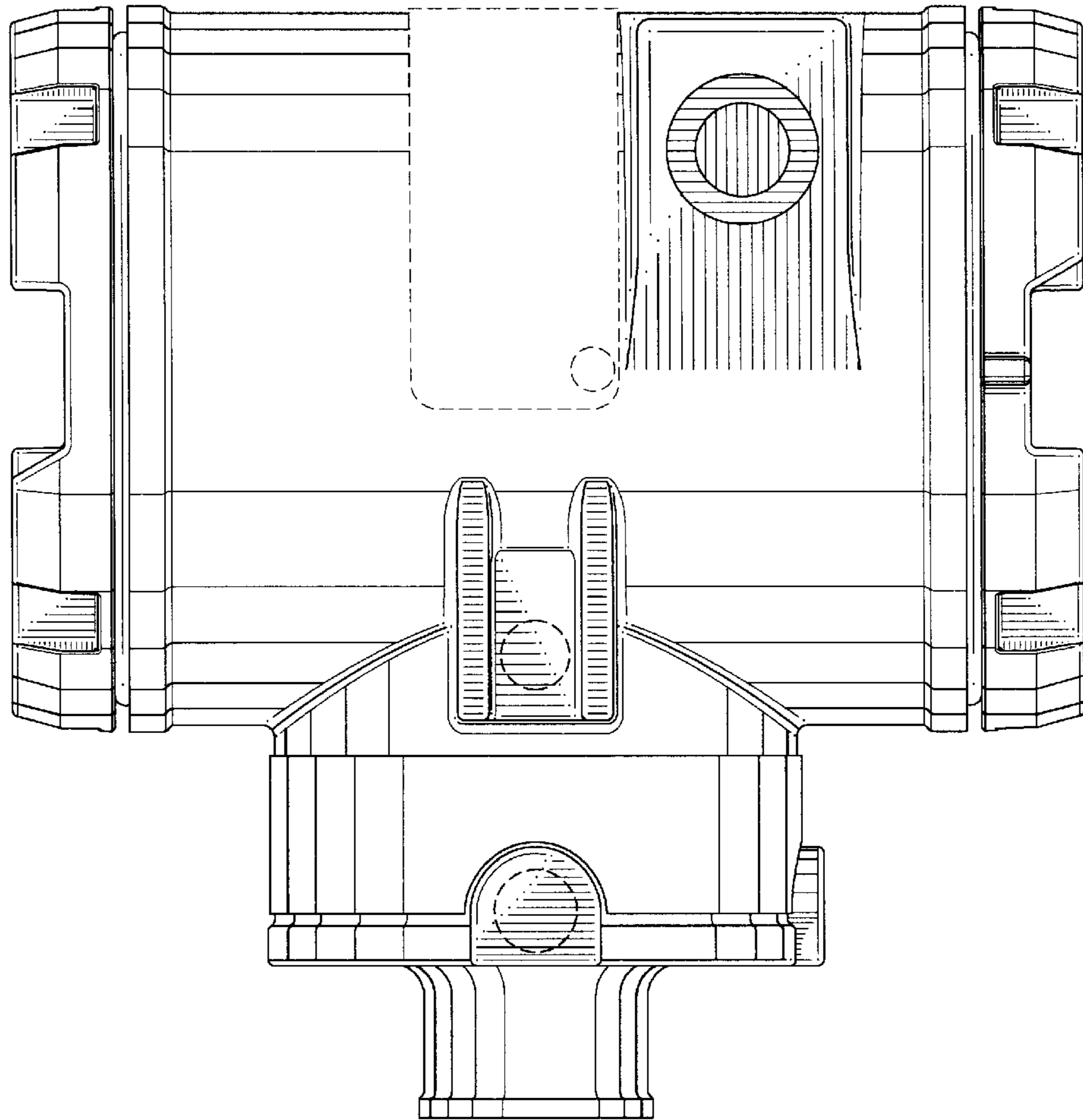


FIG. 3

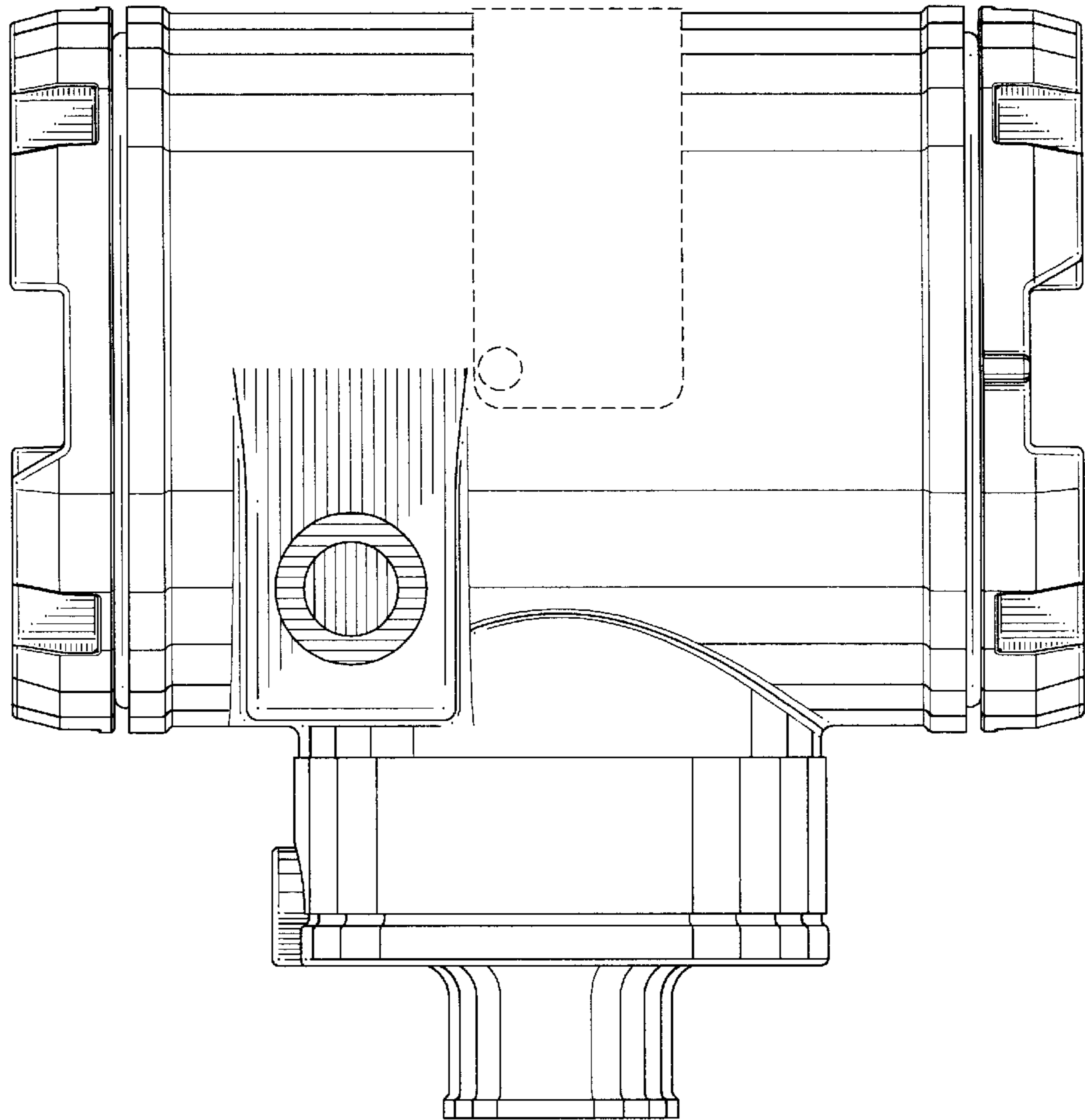


FIG. 4

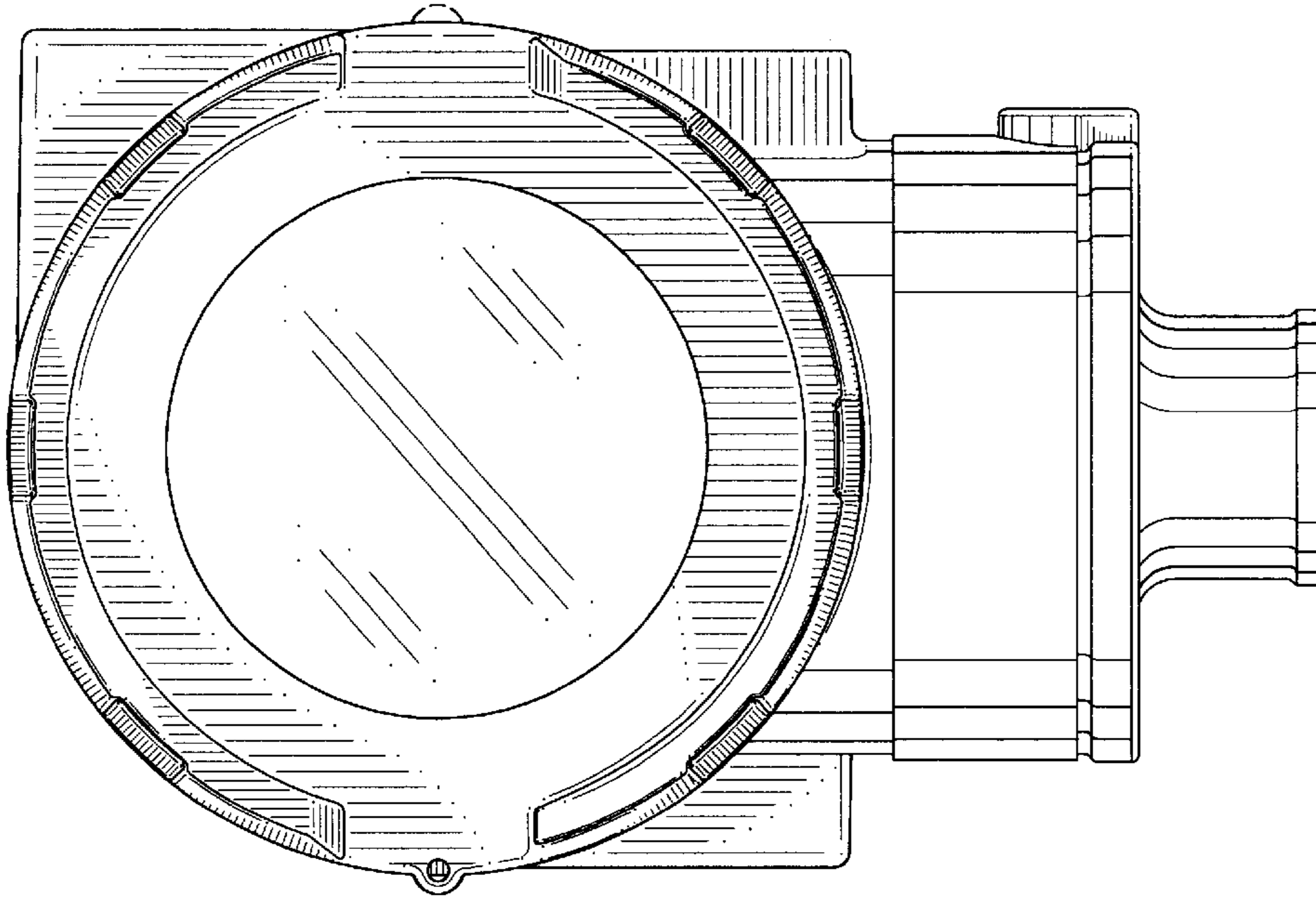


FIG. 6

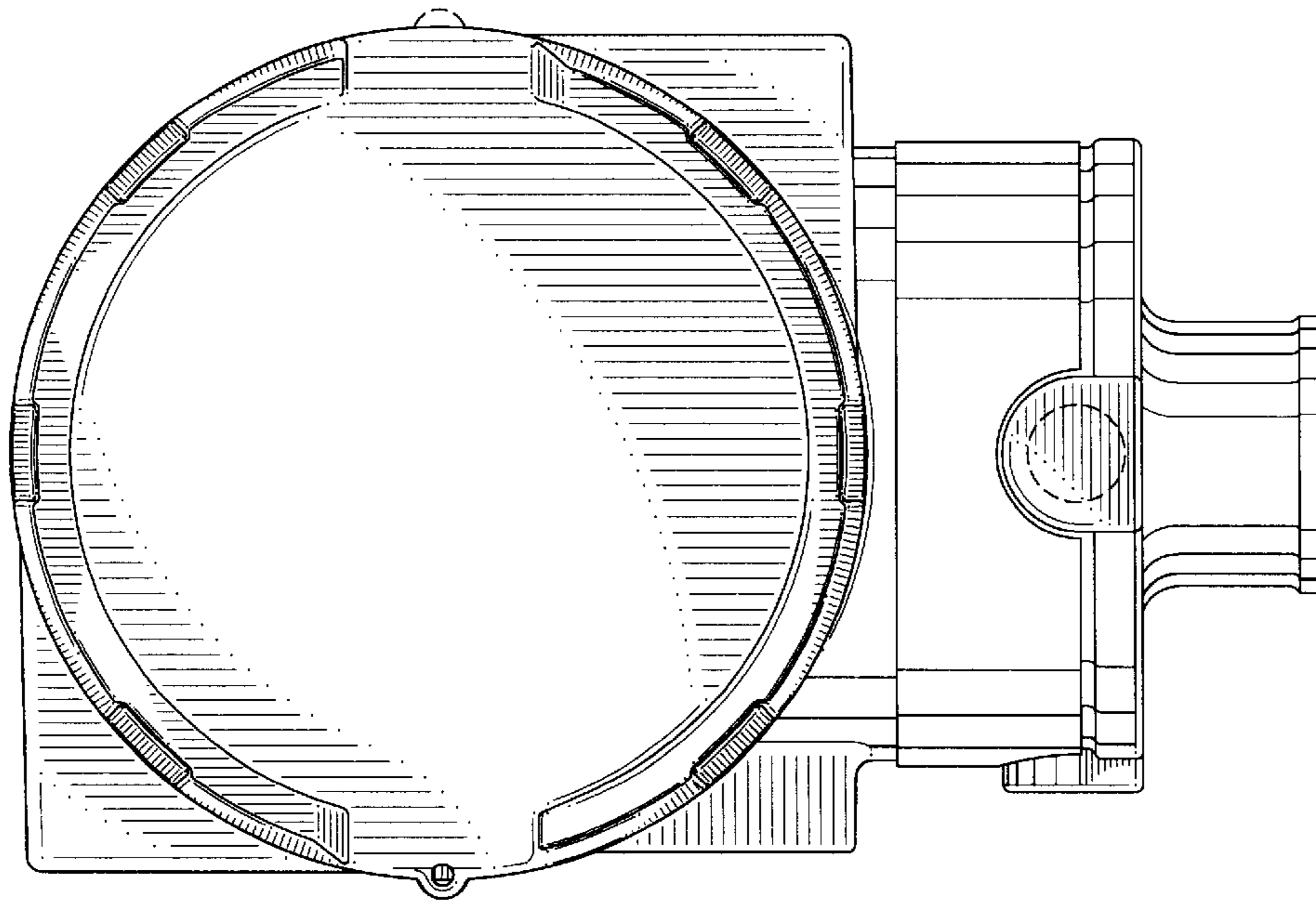


FIG. 5

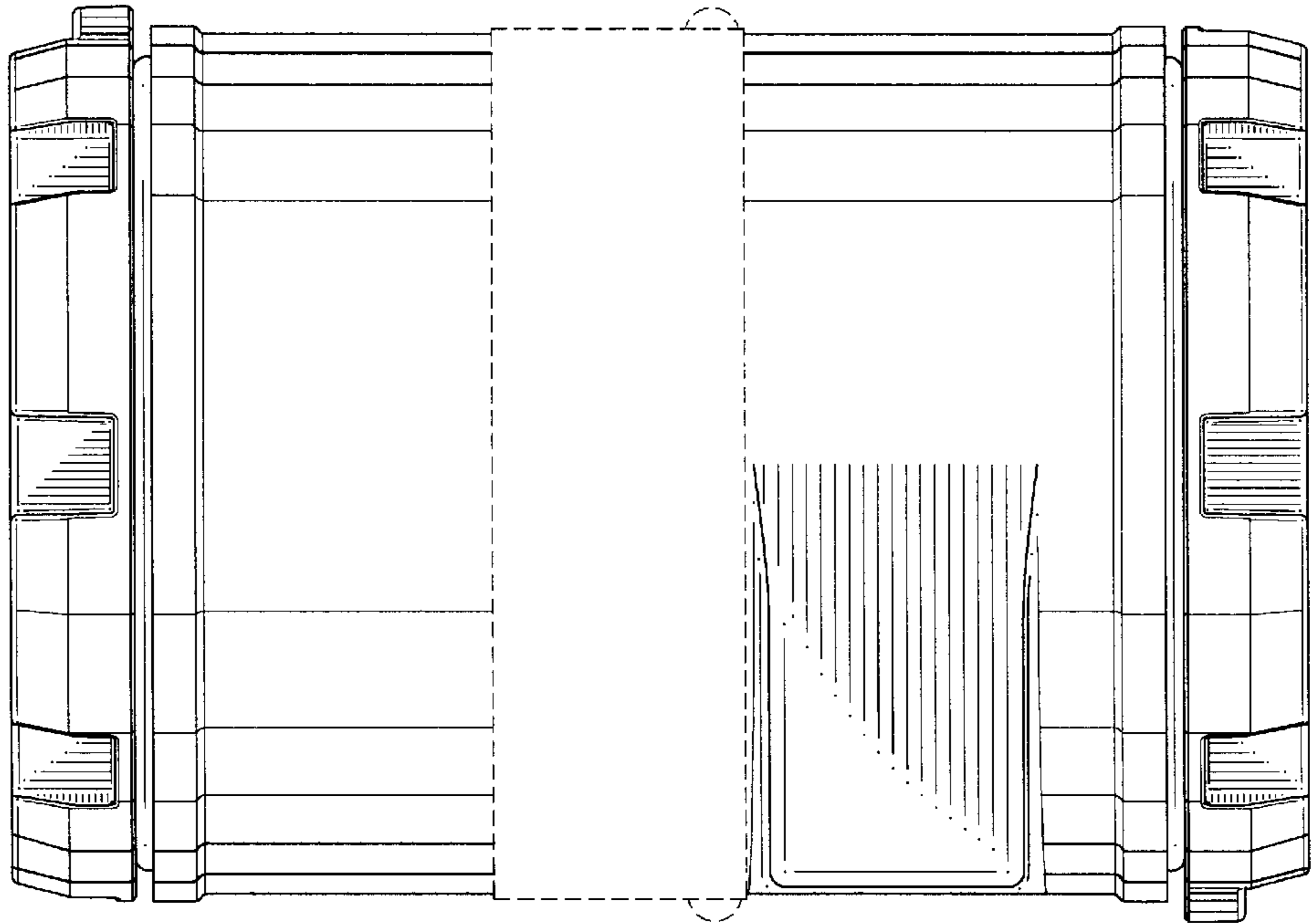


FIG. 7

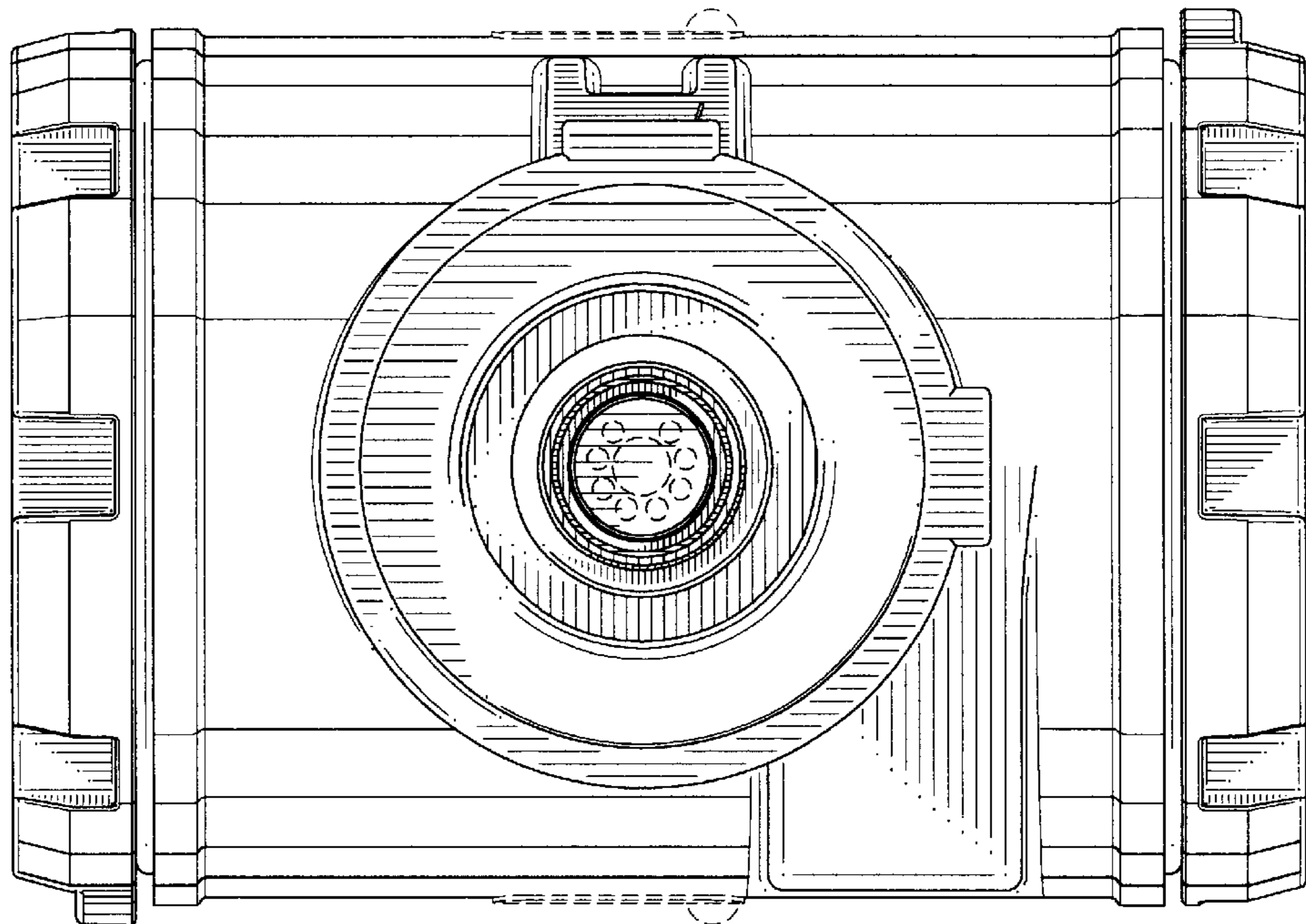


FIG. 8