



US00D465421S

(12) **United States Design Patent**
Mantovani

(10) **Patent No.:** **US D465,421 S**

(45) **Date of Patent:** **** Nov. 12, 2002**

(54) **WATCH CASE**

- (75) Inventor: **Marco Mantovani**, Marina di Campo Isola d'Elba (IT)
- (73) Assignee: **Locman S.p.A.**, Marina di Campo Isola d'Elba (IT)
- (**) Term: **14 Years**
- (21) Appl. No.: **29/148,442**
- (22) Filed: **Sep. 20, 2001**

(30) **Foreign Application Priority Data**

Mar. 20, 2001 (XH) DM/056 025

- (51) **LOC (7) Cl.** **10-02**
- (52) **U.S. Cl.** **D10/30**
- (58) **Field of Search** D10/30-39, 122-132;
368/281-282, 276-277, 285

(56) **References Cited**

U.S. PATENT DOCUMENTS

- 5,181,192 A * 1/1993 Paratte 368/281
- D361,281 S * 8/1995 Roth D10/32
- D403,971 S * 1/1999 Walch D10/32
- D437,791 S * 2/2001 Roden D10/32

OTHER PUBLICATIONS

- European Jeweler—Apr. 1984—p.82—watches at bottom-right.*
- Swiss Watch & Jewelry Journal—Feb. 1982—p.307—watches at bottom-left.*
- * cited by examiner

Primary Examiner—Nelson C. Holtje
(74) *Attorney, Agent, or Firm*—Herbert Dubno

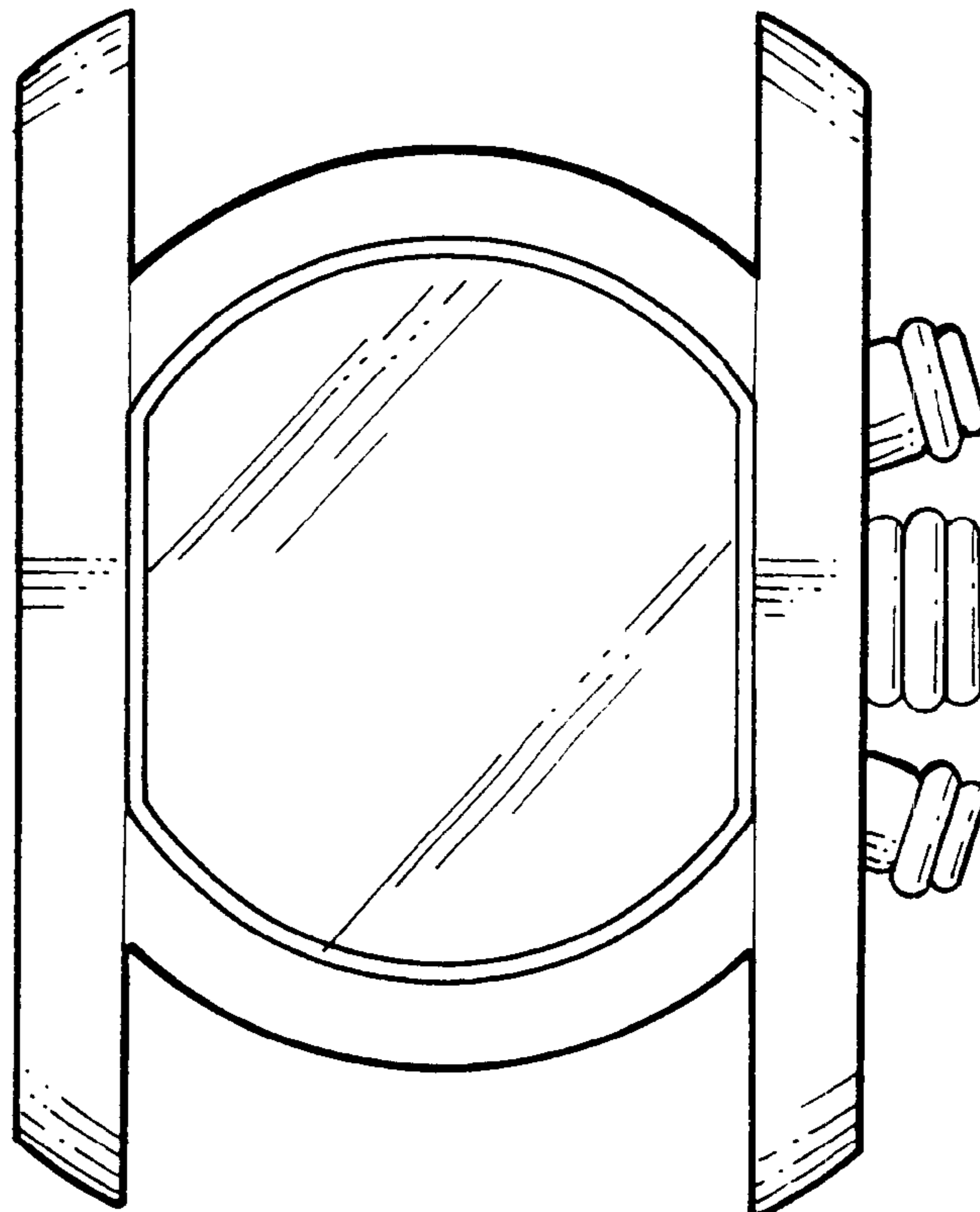
(57) **CLAIM**

The ornamental design for a watch case, as shown and described.

DESCRIPTION

FIG. 1 is a top, rear, right-side perspective view of a watch case showing my new design;
 FIG. 2 is a top plan view thereof;
 FIG. 3 is a bottom plan view thereof;
 FIG. 4 is a rear elevational view thereof;
 FIG. 5 is a front elevational view thereof; and,
 FIG. 6 is a right side elevational view thereof, the left side elevational view being mirror symmetrical thereto.

1 Claim, 2 Drawing Sheets



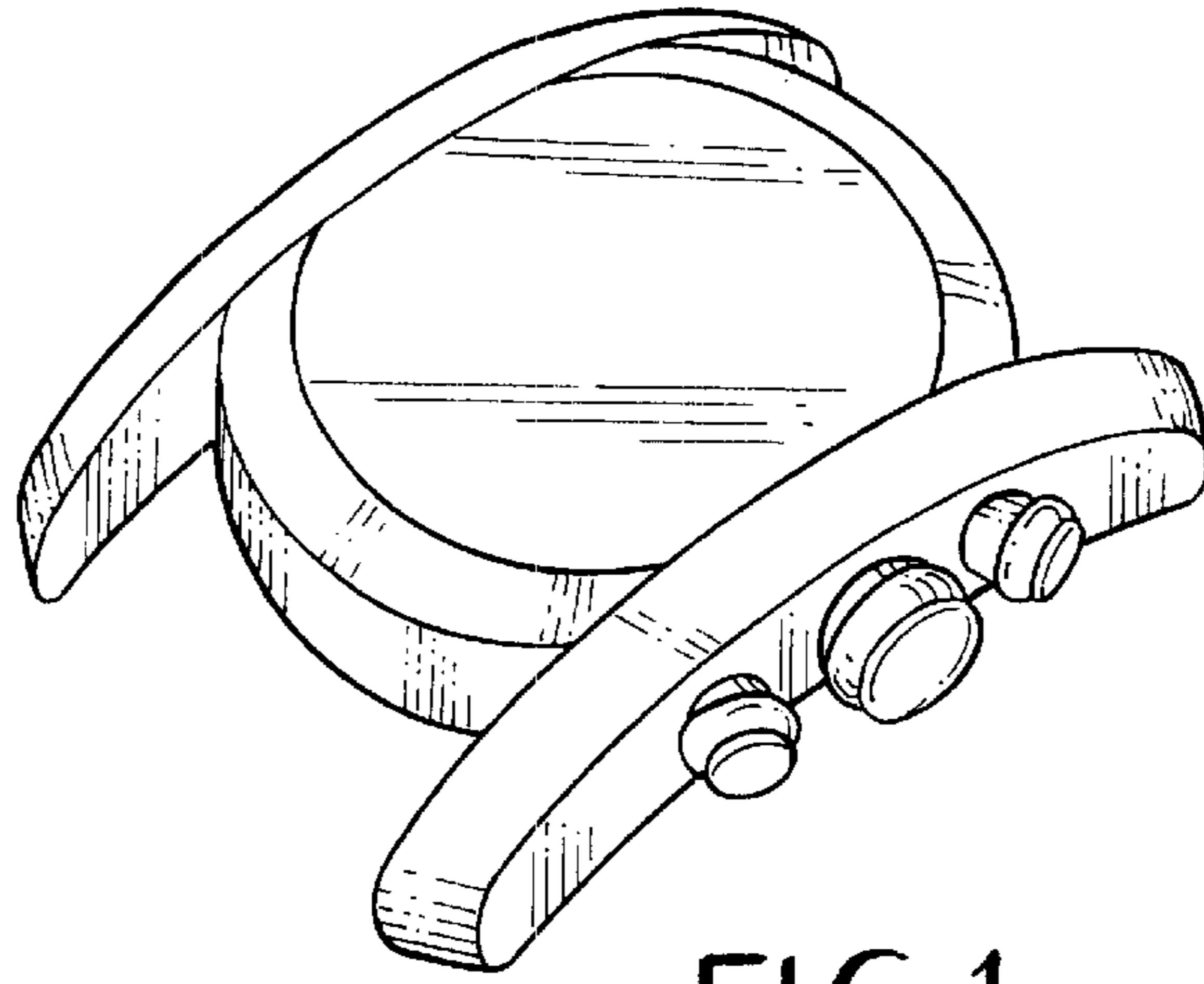


FIG. 1

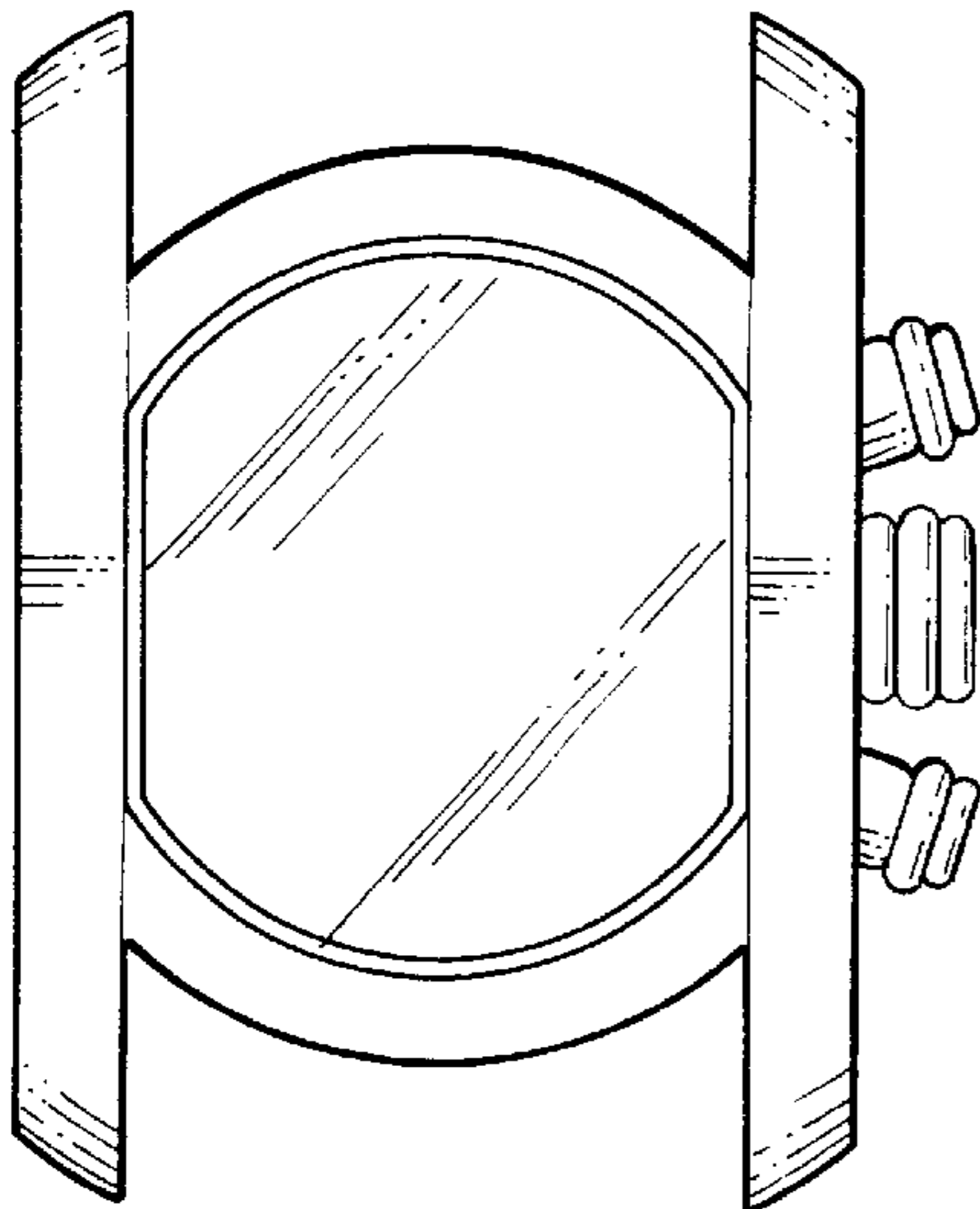


FIG. 2

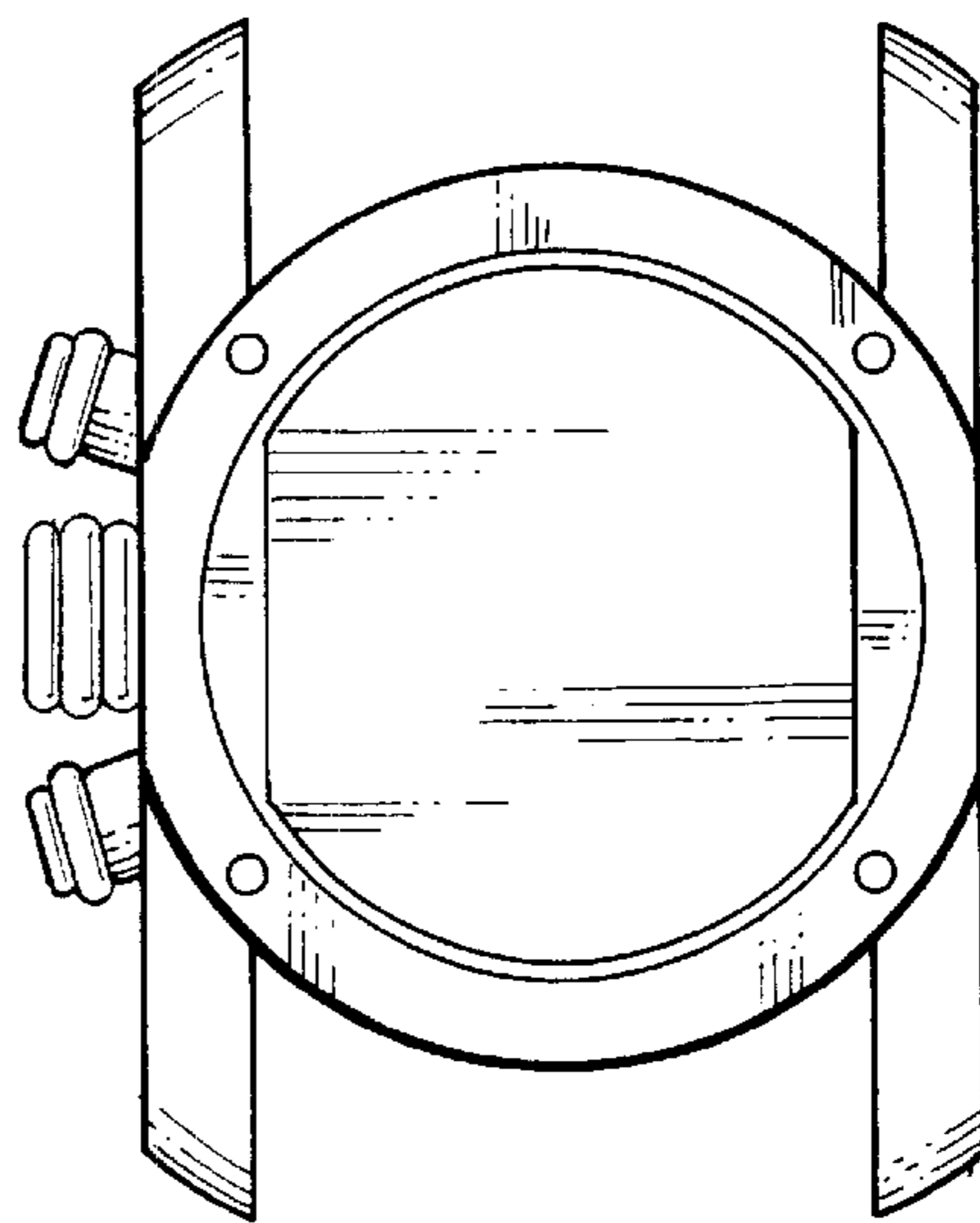


FIG. 3

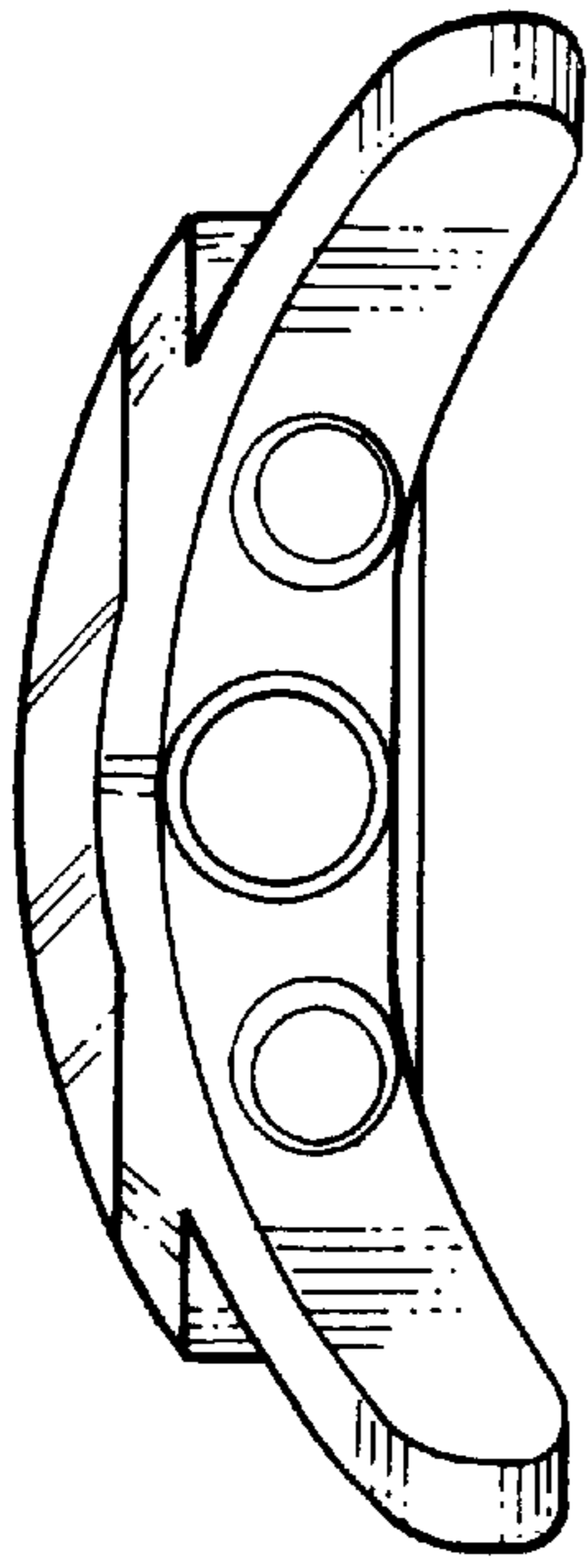


FIG. 4

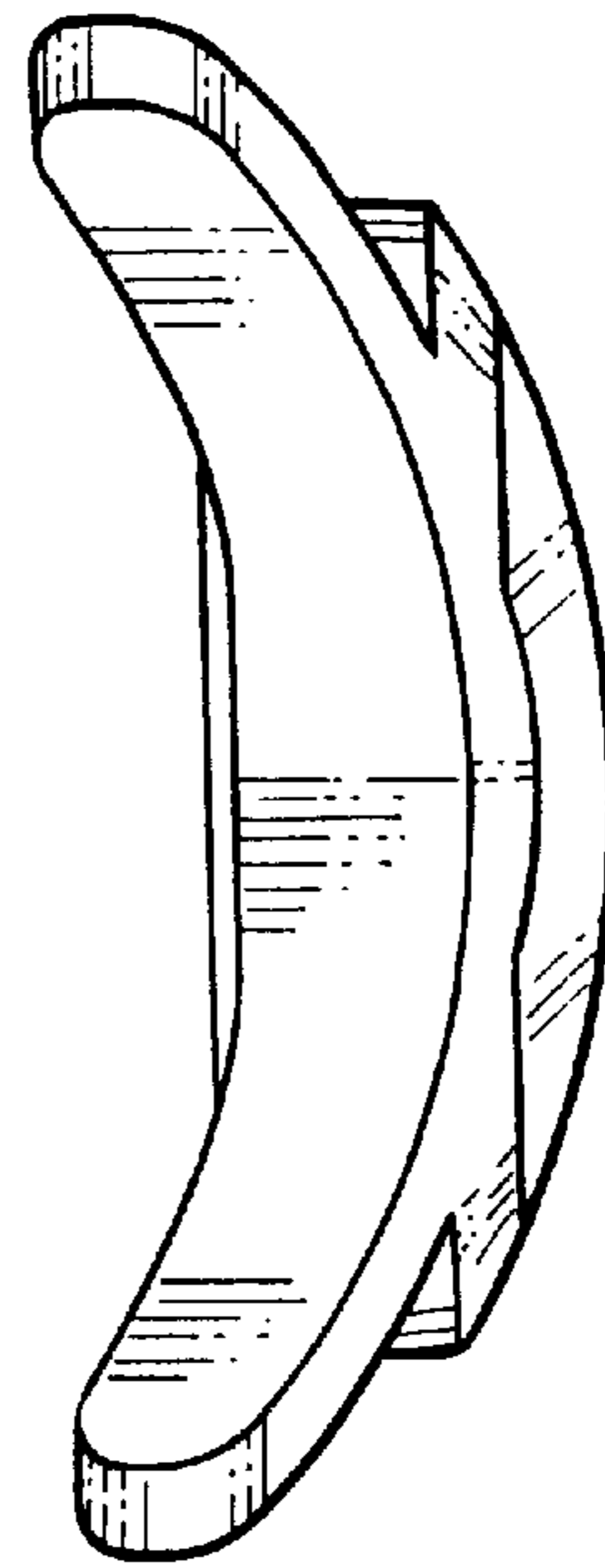


FIG. 5

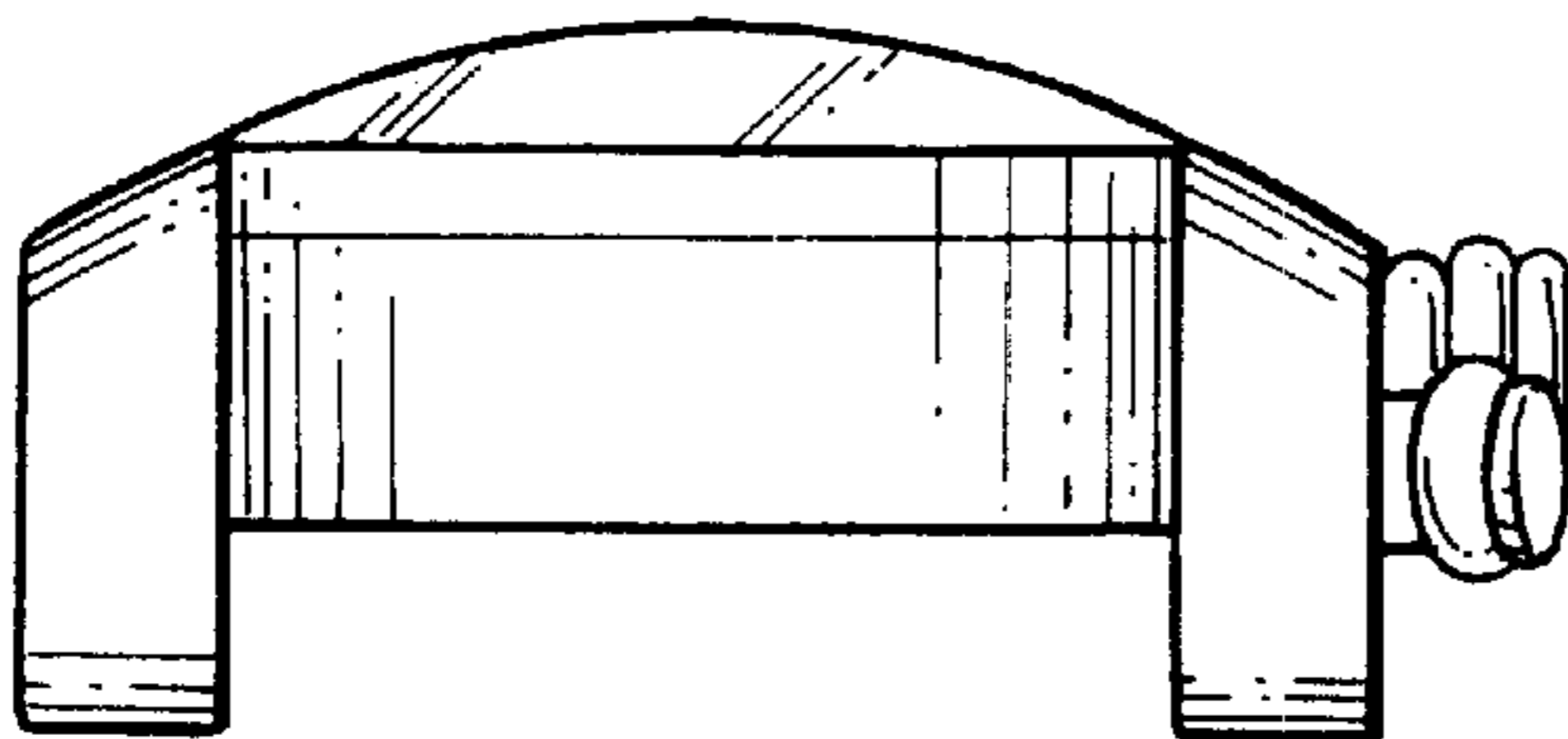


FIG. 6