



US00D465416S

(12) **United States Design Patent**
Dzwill et al.

(10) **Patent No.:** **US D465,416 S**

(45) **Date of Patent:** **** Nov. 12, 2002**

(54) **CONTAINER FOR PACKAGES OF CONTACT LENSES**

(75) Inventors: **Edward A. Dzwill**, Ponte Vedra Beach, FL (US); **Robert W. Bennett**, Charlotte, NC (US)

(73) Assignee: **Johnson & Johnson Vision Care, Inc.**, Jacksonville, FL (US)

(**) Term: **14 Years**

(21) Appl. No.: **29/141,626**

(22) Filed: **May 9, 2001**

(51) **LOC (7) Cl.** **09-03**

(52) **U.S. Cl.** **D9/432**

(58) **Field of Search** D9/414, 416, 432, D9/433, 499; 206/5, 5.1, 37, 316.1, 476, 494, 527; 220/229, 780, 890; 229/100, 123.1, 123.2, 200, 238, 210, 124, 126, 190, 800

(56) **References Cited**

U.S. PATENT DOCUMENTS

112,306 A	2/1871	Wilcox
183,466 A	10/1876	Pearl
329,134 A	10/1885	Brotz
897,608 A	9/1908	Ely
1,336,646 A	4/1920	Mendenhall
1,476,822 A	12/1923	Kronenberger
1,869,724 A	8/1932	Wallace
2,024,832 A	12/1935	Myers
2,151,202 A	3/1939	Guyer
2,285,542 A	6/1942	Tasker
2,326,390 A	8/1943	Platt
2,619,226 A	11/1952	Adams
2,680,558 A	6/1954	Mai
2,760,710 A	8/1956	Fritz
2,828,060 A	3/1958	Brown
2,967,010 A	1/1961	Cuffey, Jr. et al.
2,974,854 A	3/1961	Moore
2,984,400 A	5/1961	Kuchenbecker
3,018,941 A	1/1962	Wagaman
3,035,756 A	5/1962	Mullinix

3,228,573 A	1/1966	Nerenberg et al.
3,257,067 A	6/1966	Buttery et al.
3,261,537 A	7/1966	Kistner
3,281,059 A	10/1966	Buttery et al.
3,298,595 A	1/1967	Collura
3,366,310 A	1/1968	Simpson et al.
3,368,739 A	2/1968	Roccaforte et al.
3,491,937 A	1/1970	Brastad
3,522,907 A	8/1970	Utterback, Jr.
3,524,580 A	8/1970	Heyworth
3,549,082 A	12/1970	Simpson
3,554,432 A	1/1971	Horry
3,591,071 A	7/1971	Rosenburg, Jr.
3,595,466 A	7/1971	Rosenburg, Jr.
3,603,502 A	9/1971	Howard et al.
3,620,438 A	11/1971	Wood et al.
3,664,572 A	5/1972	Puchkoff et al.

(List continued on next page.)

Primary Examiner—James Gandy

Assistant Examiner—Daniel Bui

(74) *Attorney, Agent, or Firm*—Anne B. Kiernan

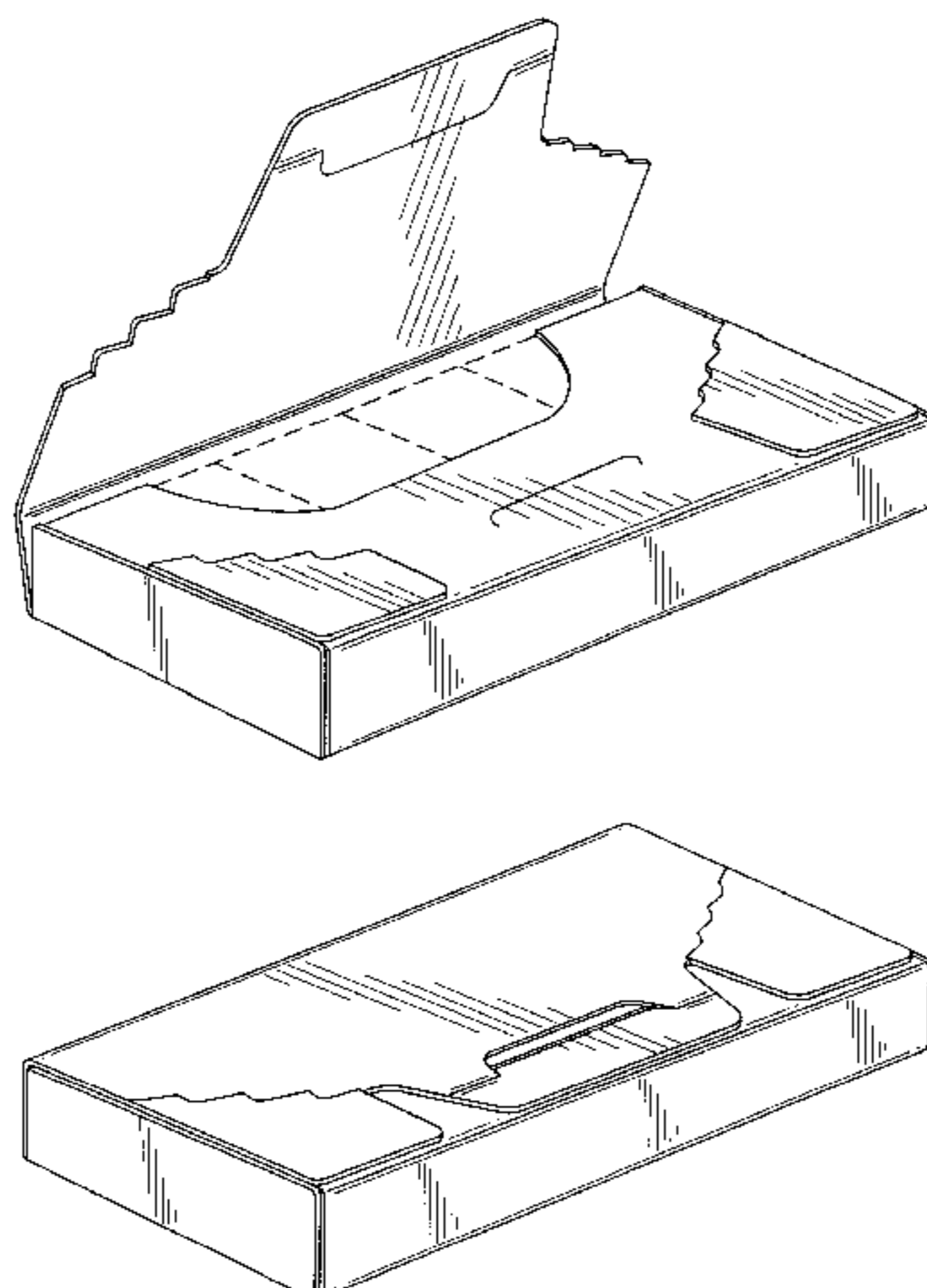
(57) **CLAIM**

The ornamental design for a container for packages of contact lenses, as shown and described.

DESCRIPTION

FIG. 1 is a perspective view of a container for packages of contact lenses showing our new design;
 FIG. 2 is a top plan view thereof;
 FIG. 3 is a front elevational view thereof;
 FIG. 4 is a right side elevational view thereof; the left side elevational view being a mirror image thereof;
 FIG. 5 is a rear elevational view thereof;
 FIG. 6 is a bottom plan view thereof;
 FIG. 7 is a perspective view thereof in open position with the perforations of the container broken; and,
 FIG. 8 is a perspective view thereof with the perforations of the container broken and the front tab tucked in.
 The showing of the packages of contact lens in broken lines is for illustrative purposes only and forms no part of the claim.

1 Claim, 8 Drawing Sheets



US D465,416 S

Page 2

U.S. PATENT DOCUMENTS					
			4,634,007 A	1/1987	Rusnock
3,727,828 A	4/1973	Hall	4,696,402 A	9/1987	Harmon et al.
3,833,165 A	9/1974	Hoiles	4,836,438 A	6/1989	Rigby
3,844,472 A	10/1974	Mueller	4,838,430 A	6/1989	Beeman et al.
3,863,834 A	2/1975	Sandford	4,949,845 A	8/1990	Dixon
3,899,126 A	8/1975	Palmer	4,967,911 A	11/1990	Lo Duca
3,918,631 A	11/1975	Hackenberg	5,036,981 A	8/1991	Johansson
3,966,113 A	6/1976	Tipton	5,123,589 A	6/1992	Cote
4,008,849 A	2/1977	Baber	5,154,343 A	10/1992	Stone
4,083,454 A	4/1978	O'Neill	5,198,276 A	3/1993	Nakajima
4,113,102 A	9/1978	Mueller	5,314,114 A	5/1994	Stone
4,170,305 A	10/1979	Hull, Jr. et al.	5,358,176 A	10/1994	Rigby
4,232,816 A	11/1980	Johnson et al.	5,518,111 A	5/1996	Stout
4,236,636 A	12/1980	Kuchenbecker	5,522,538 A	6/1996	Gray
4,318,474 A	3/1982	Hasegawa	5,577,612 A	11/1996	Chesson et al.
4,360,106 A	11/1982	Irvine et al.	5,620,088 A	4/1997	Martin et al.
4,436,206 A	3/1984	Kuchenbecker	5,685,420 A	11/1997	Martin et al.
4,470,511 A	9/1984	Meeker et al.	5,697,495 A	12/1997	Abrams et al.
4,607,749 A	8/1986	Jacob			

FIG. 1

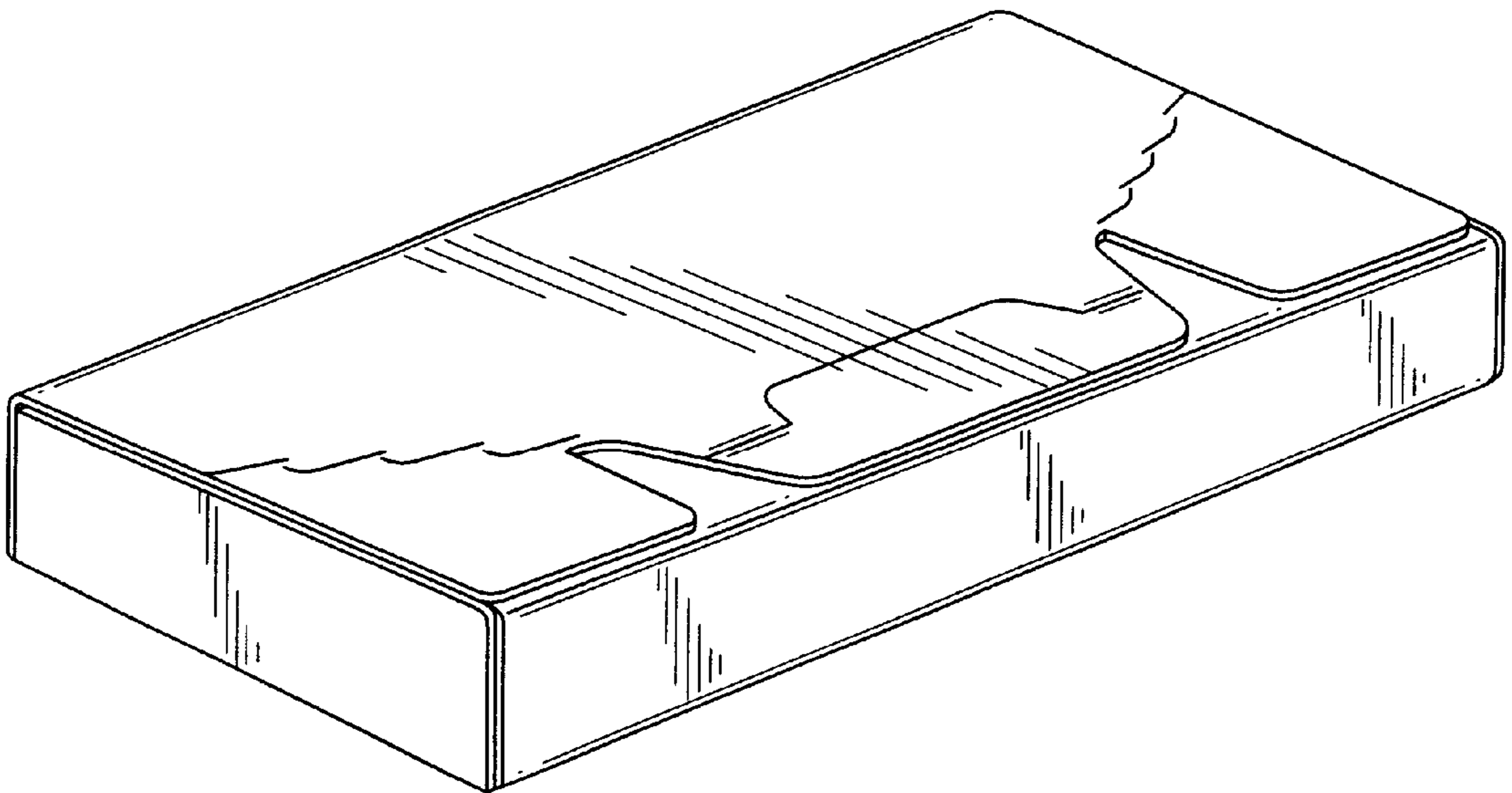


FIG. 2

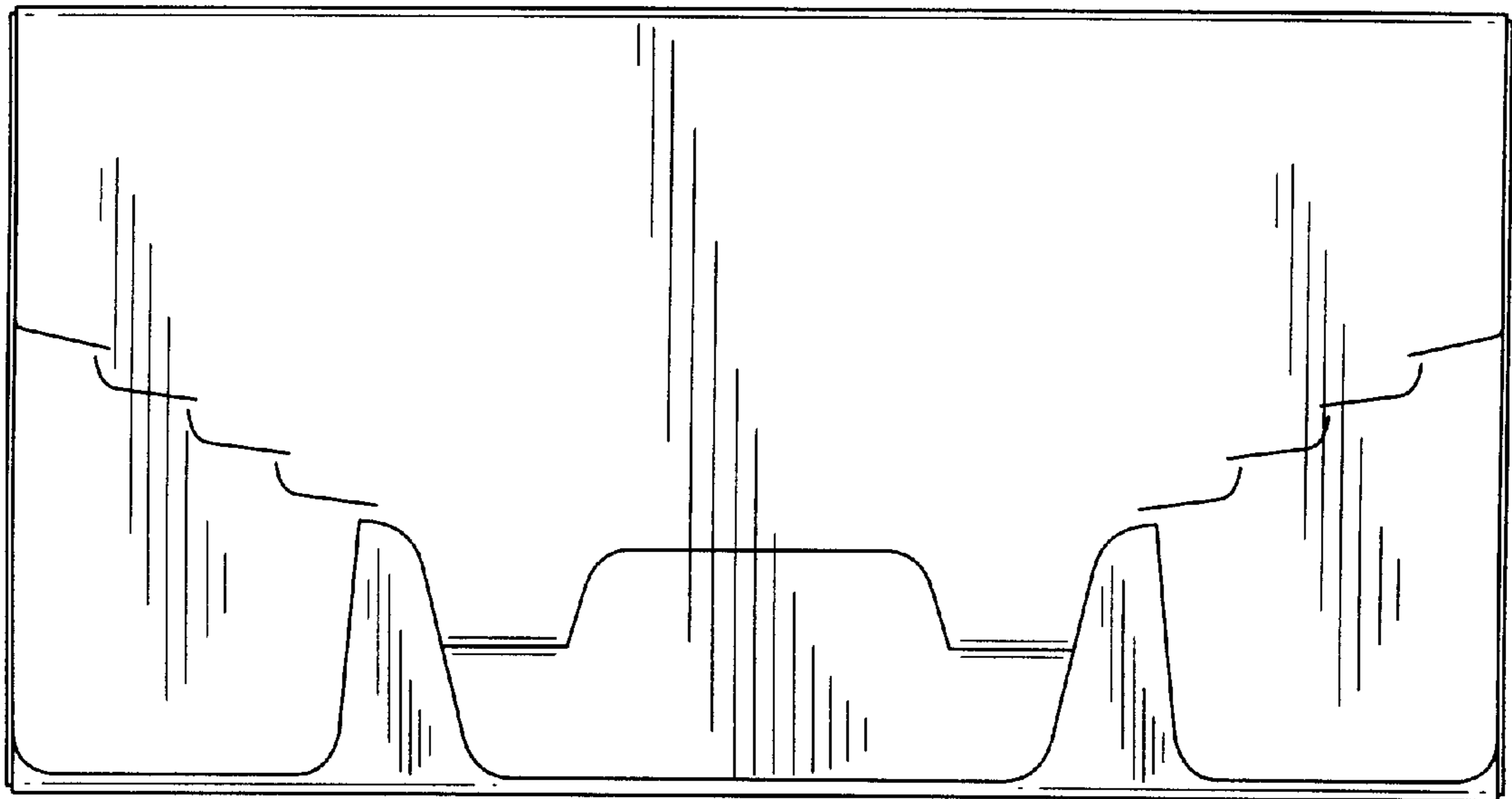


FIG. 3



FIG. 4

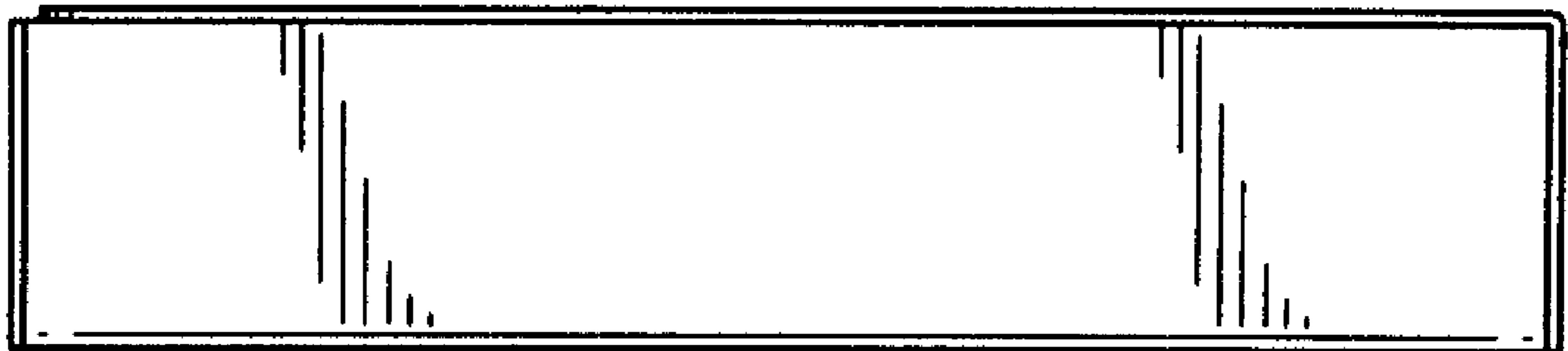


FIG. 5

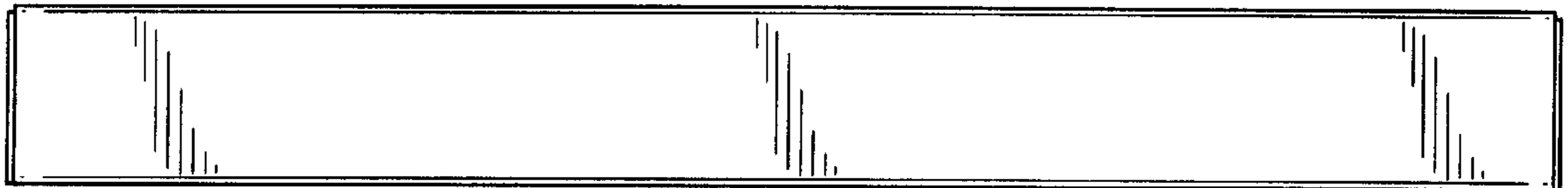


FIG. 6

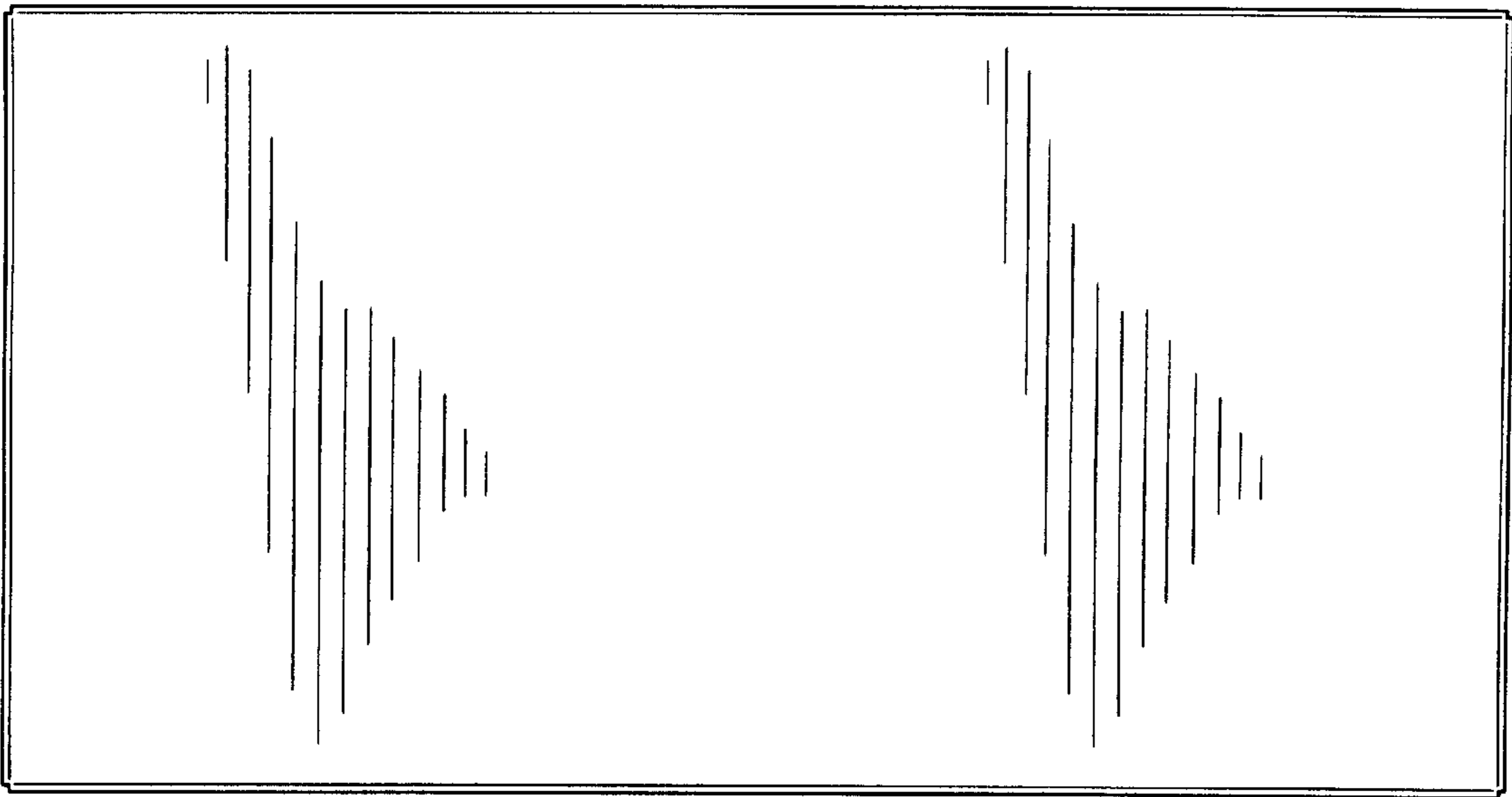


FIG. 7

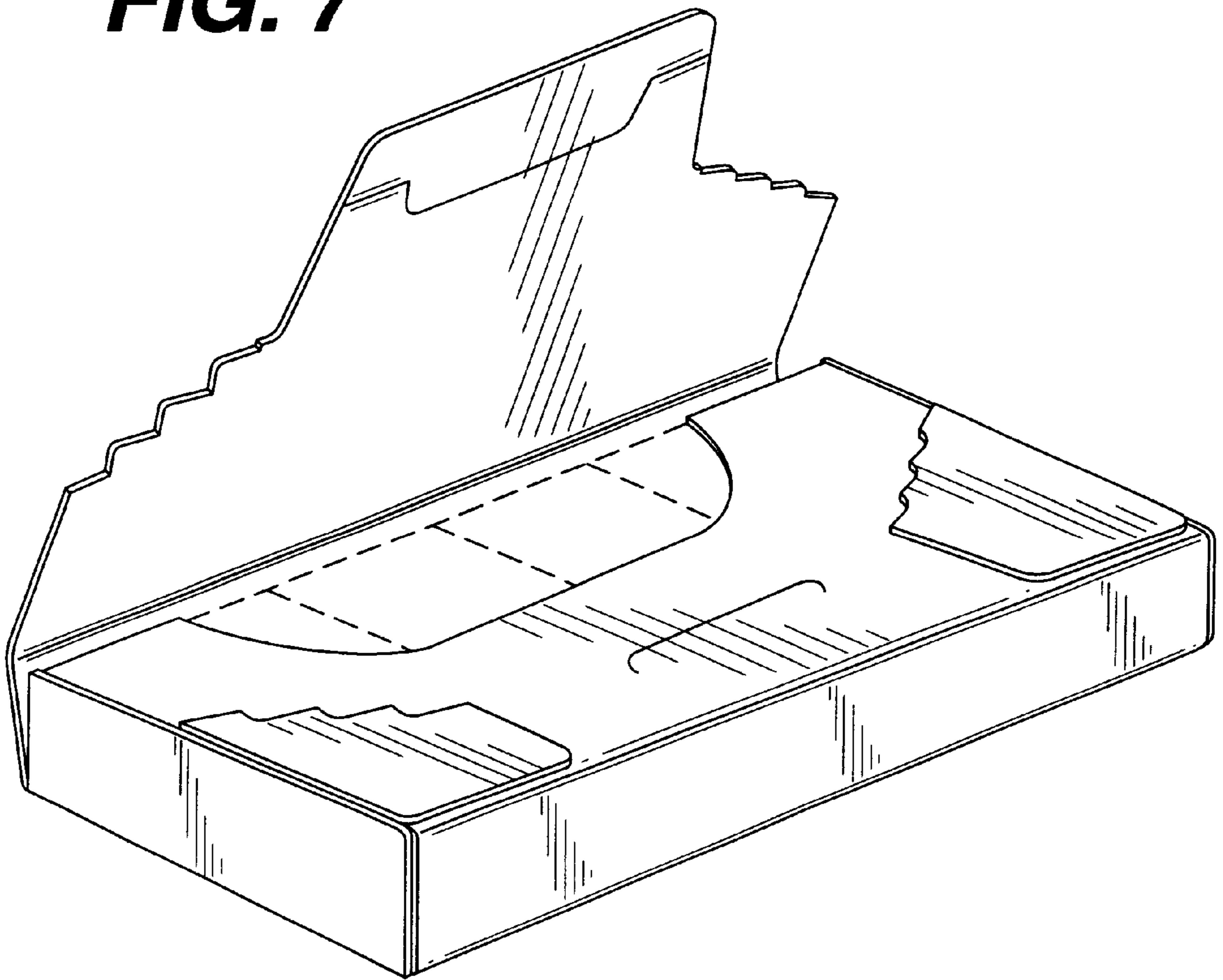


FIG. 8

